



US00D583688S

(12) **United States Design Patent**
Guercio

(10) **Patent No.:** **US D583,688 S**

(45) **Date of Patent:** **** Dec. 30, 2008**

(54) **WALL OCCUPANCY SENSOR**

(75) Inventor: **Vincenzo Guercio**, Wallkill, NY (US)

(73) Assignee: **RAB Lighting, Inc.**, Northvale, NJ (US)

(**) Term: **14 Years**

(21) Appl. No.: **29/305,868**

(22) Filed: **Mar. 28, 2008**

(51) **LOC (8) Cl.** **10-04**

(52) **U.S. Cl.** **D10/70; D10/104**

(58) **Field of Classification Search** **D10/70,**
D10/104, 106; 307/117; 340/540, 541, 565;
361/157, 160, 168, 178

See application file for complete search history.

(56) **References Cited**

U.S. PATENT DOCUMENTS

D569,284 S * 5/2008 Ni et al. D10/70
D569,291 S * 5/2008 Ni et al. D10/104

OTHER PUBLICATIONS

5 Images of Wall Occupancy Sensors disclosing designs known to RAB Lighting, Northvale, NJ, at least as early as 2007.

* cited by examiner

Primary Examiner—Antoine D Davis

(74) *Attorney, Agent, or Firm*—Overhauser Law Offices, LLC

(57) **CLAIM**

The ornamental design for a wall occupancy sensor, as shown and described.

DESCRIPTION

FIG. 1 is a perspective view of a wall occupancy sensor showing my new design;

FIG. 2 is a side view thereof;

FIG. 3 is a side view thereof;

FIG. 4 is a front view thereof;

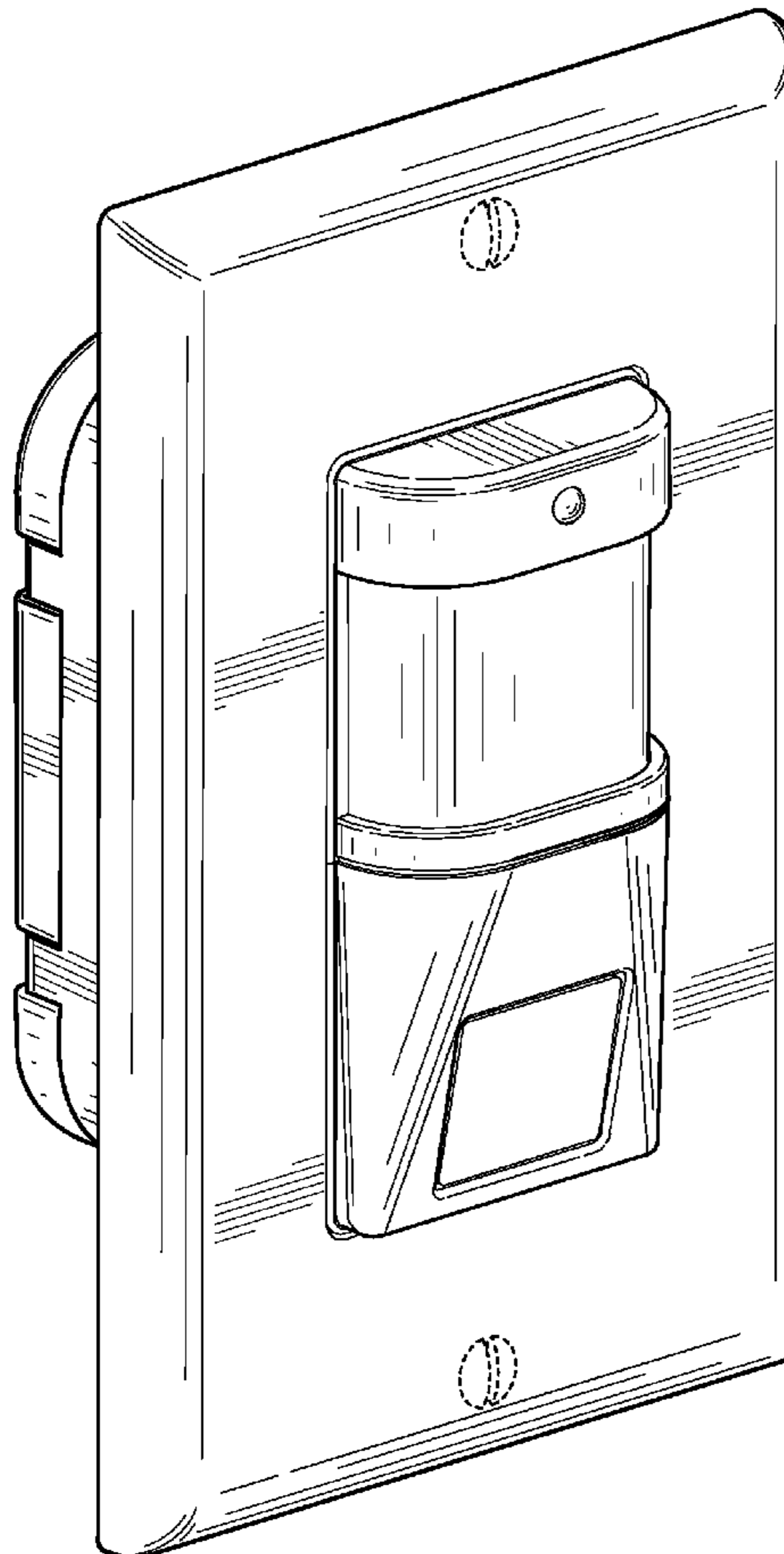
FIG. 5 is a rear view thereof;

FIG. 6 is a top view thereof; and,

FIG. 7 is a bottom view thereof.

The broken line showing of structural features is included for the purpose of illustrating non-claimed subject matter and forms no part of the claimed design.

1 Claim, 6 Drawing Sheets



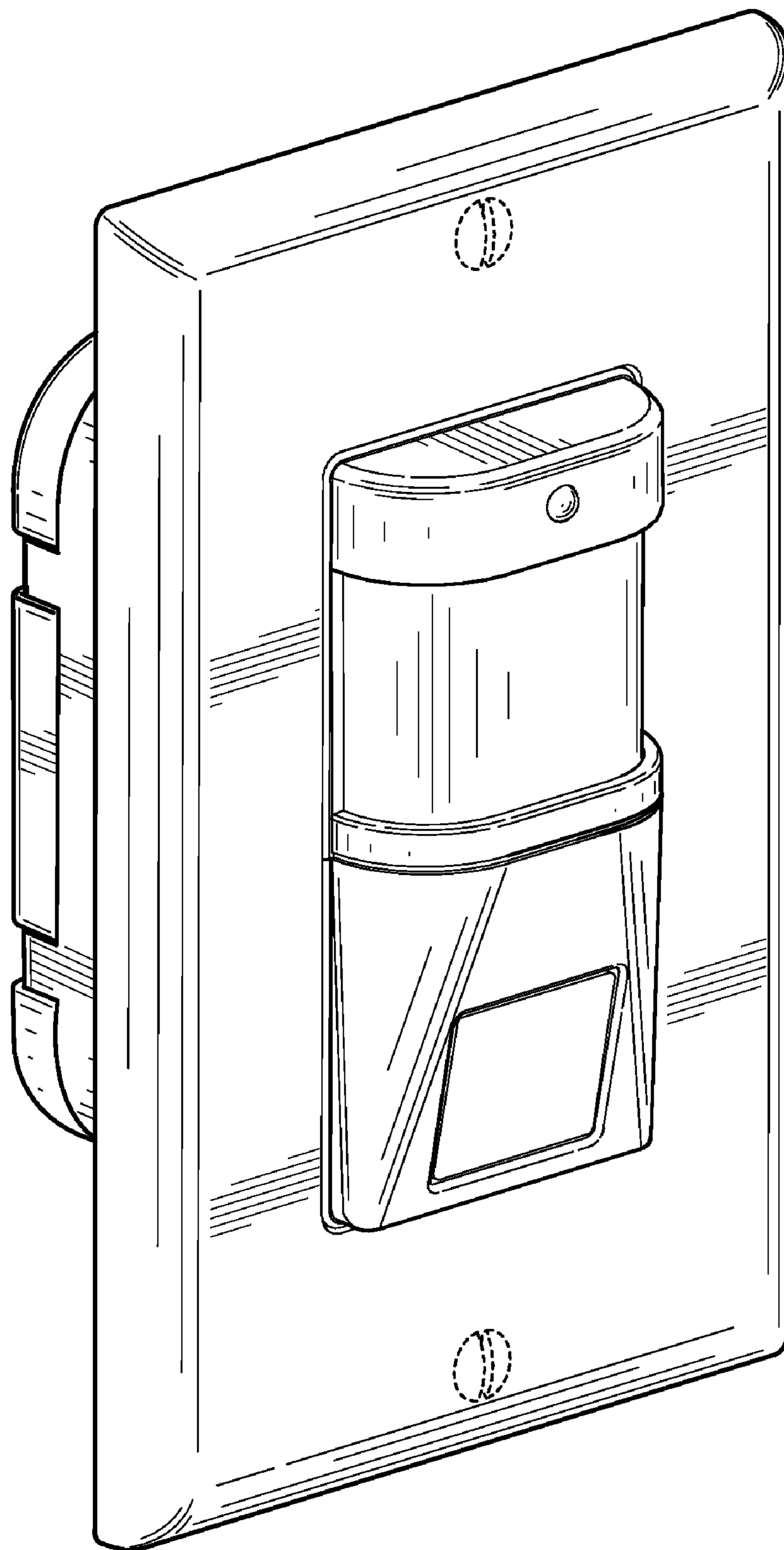


FIG. 1

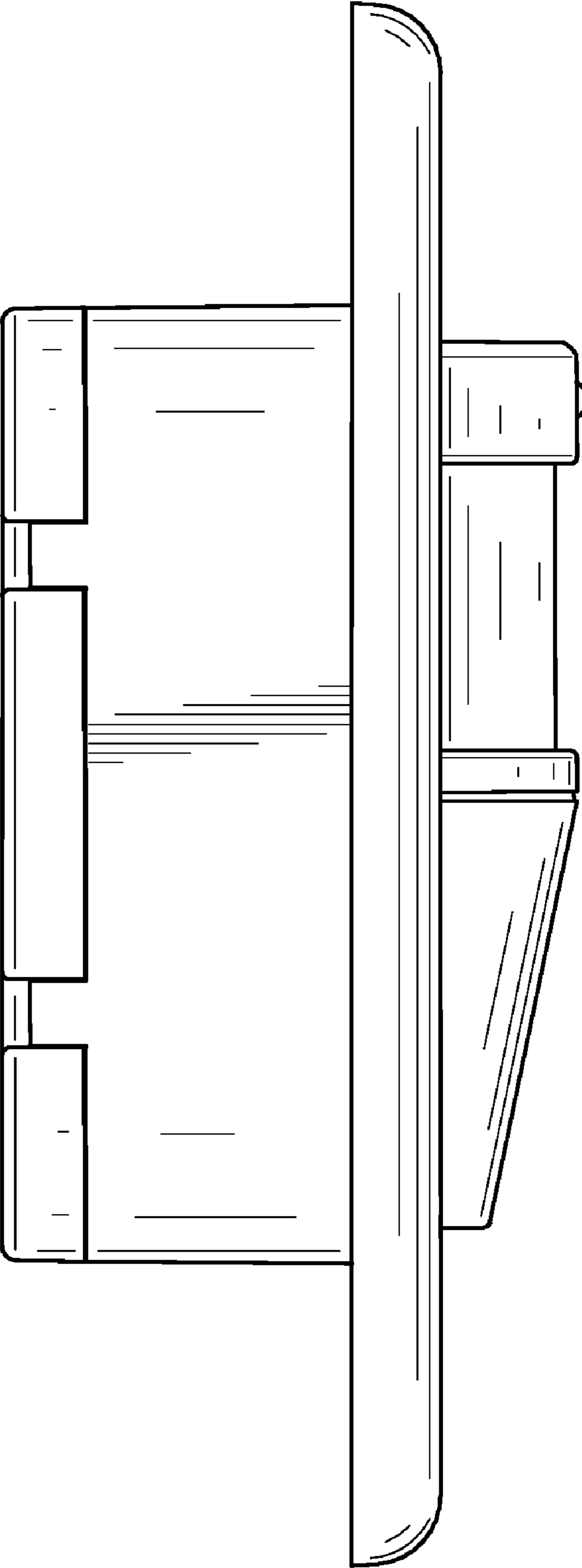


FIG. 2

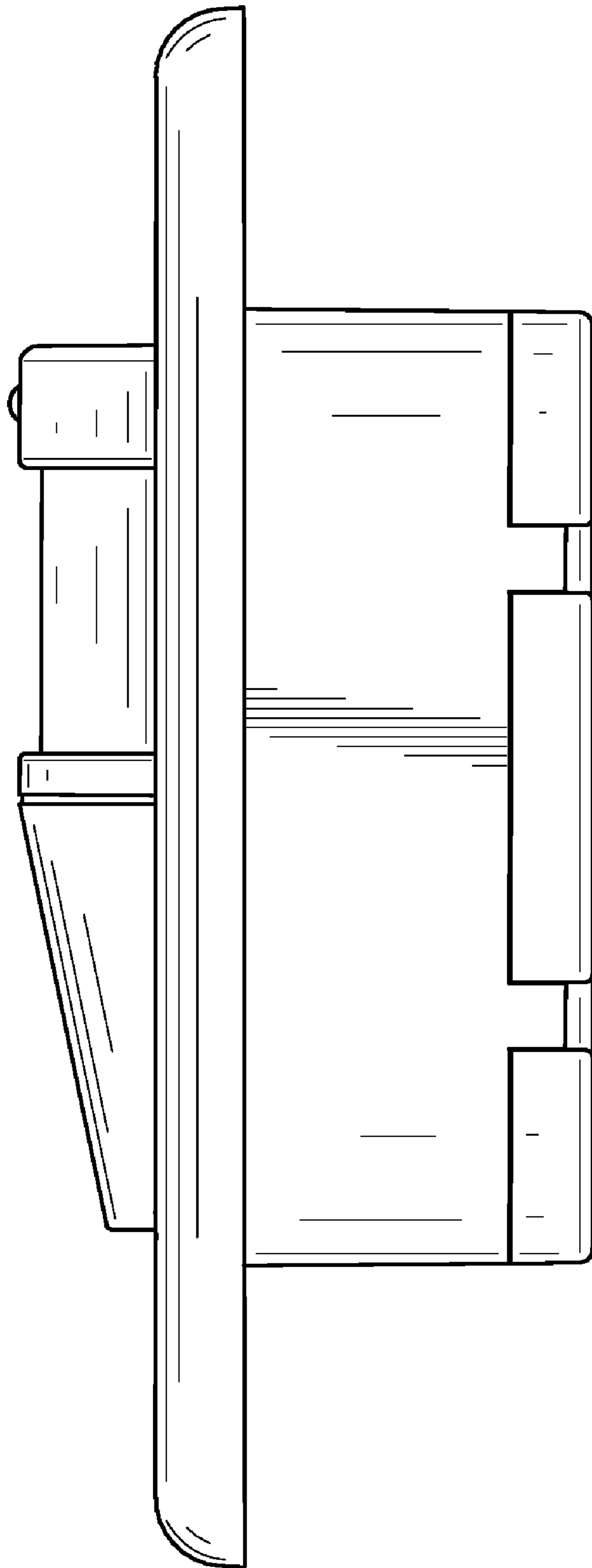


FIG. 3

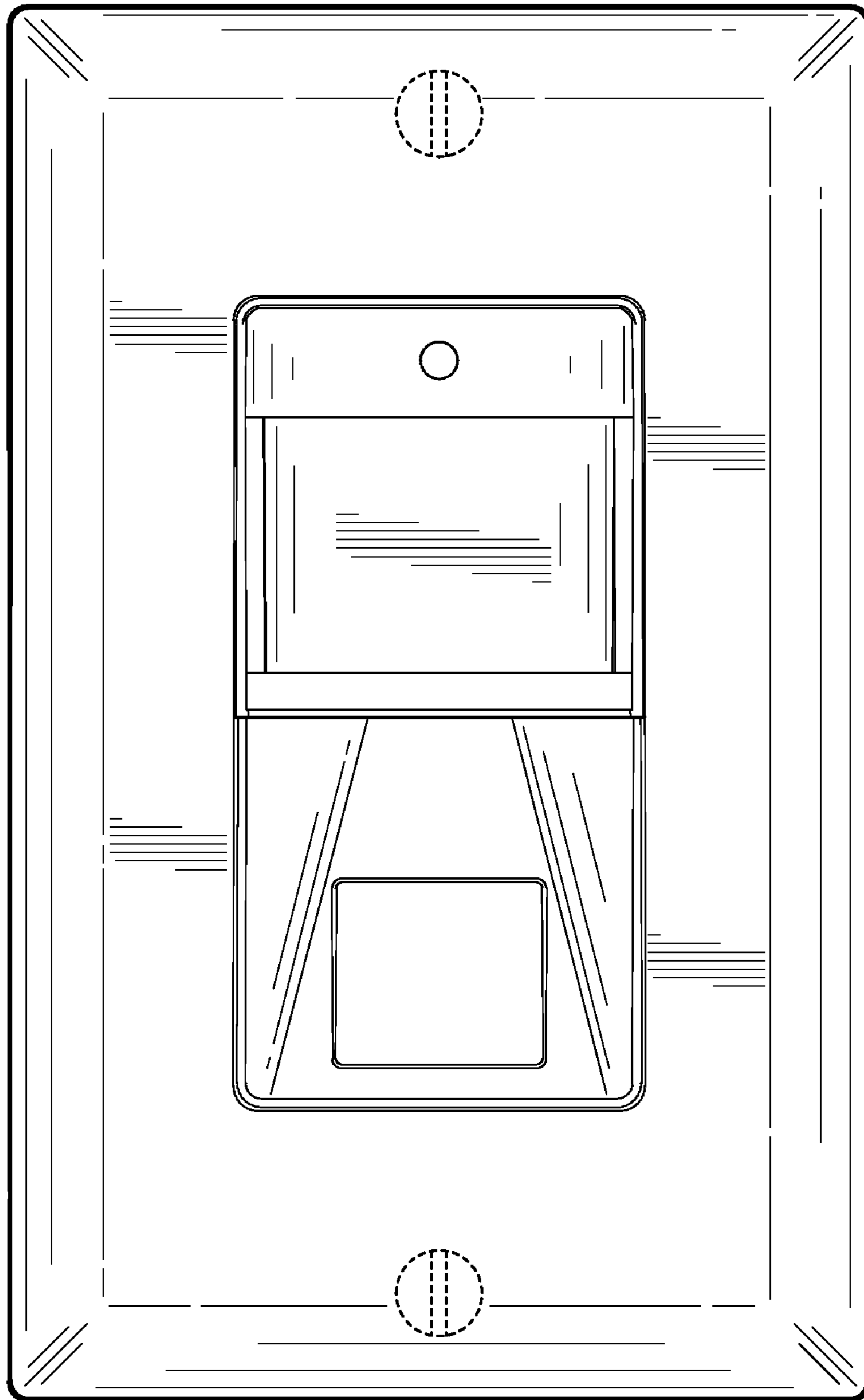


FIG. 4

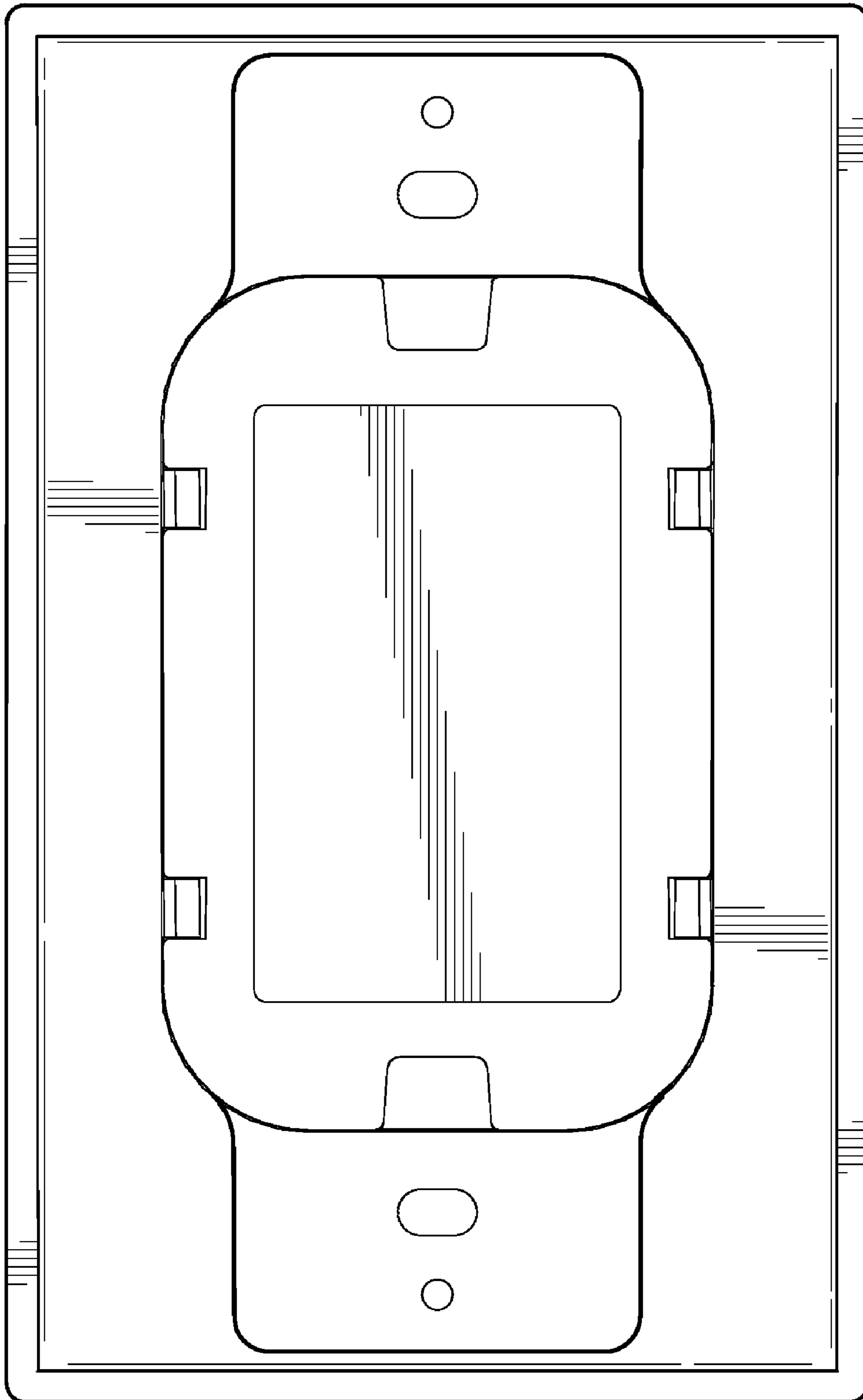


FIG. 5

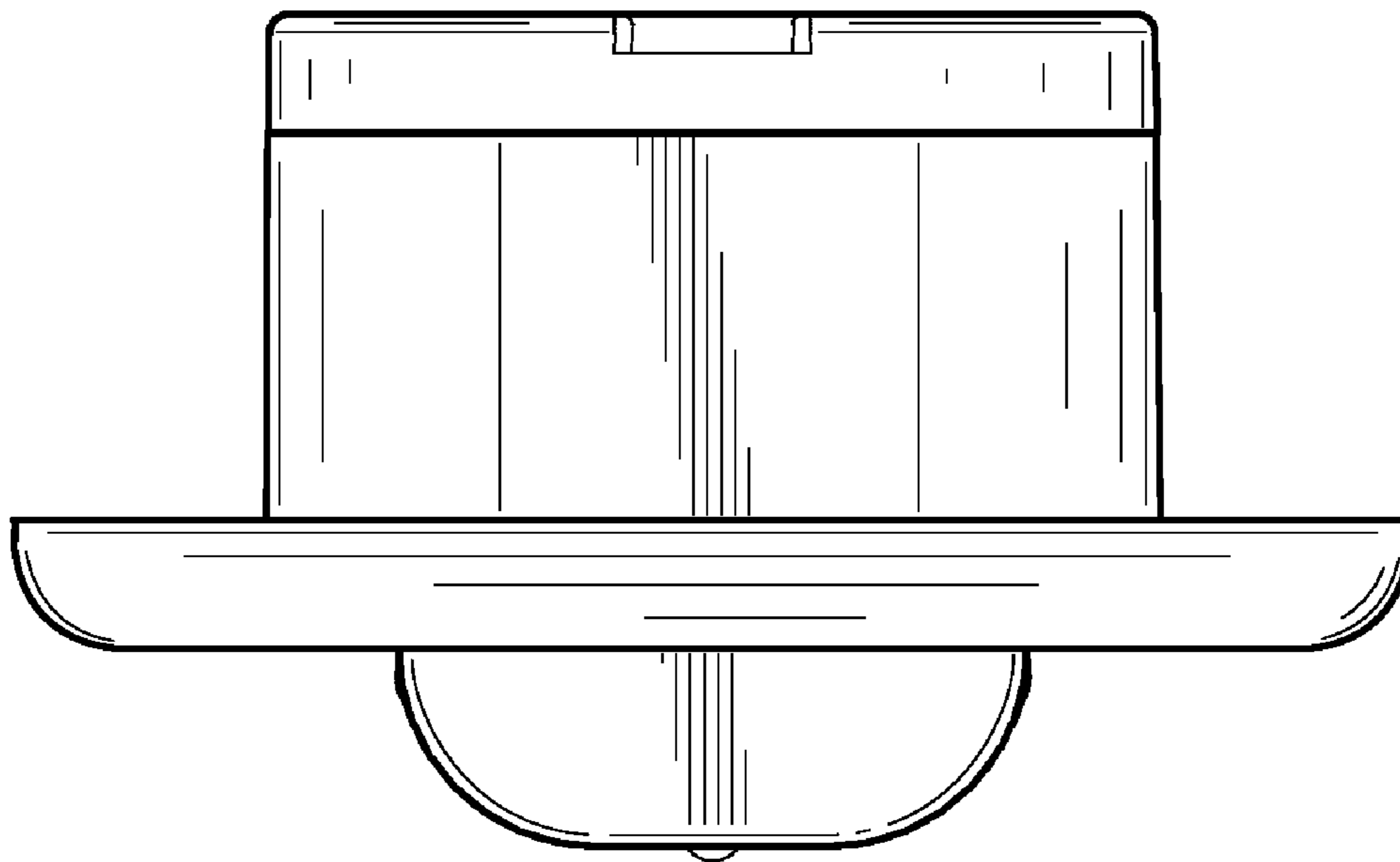


FIG. 6

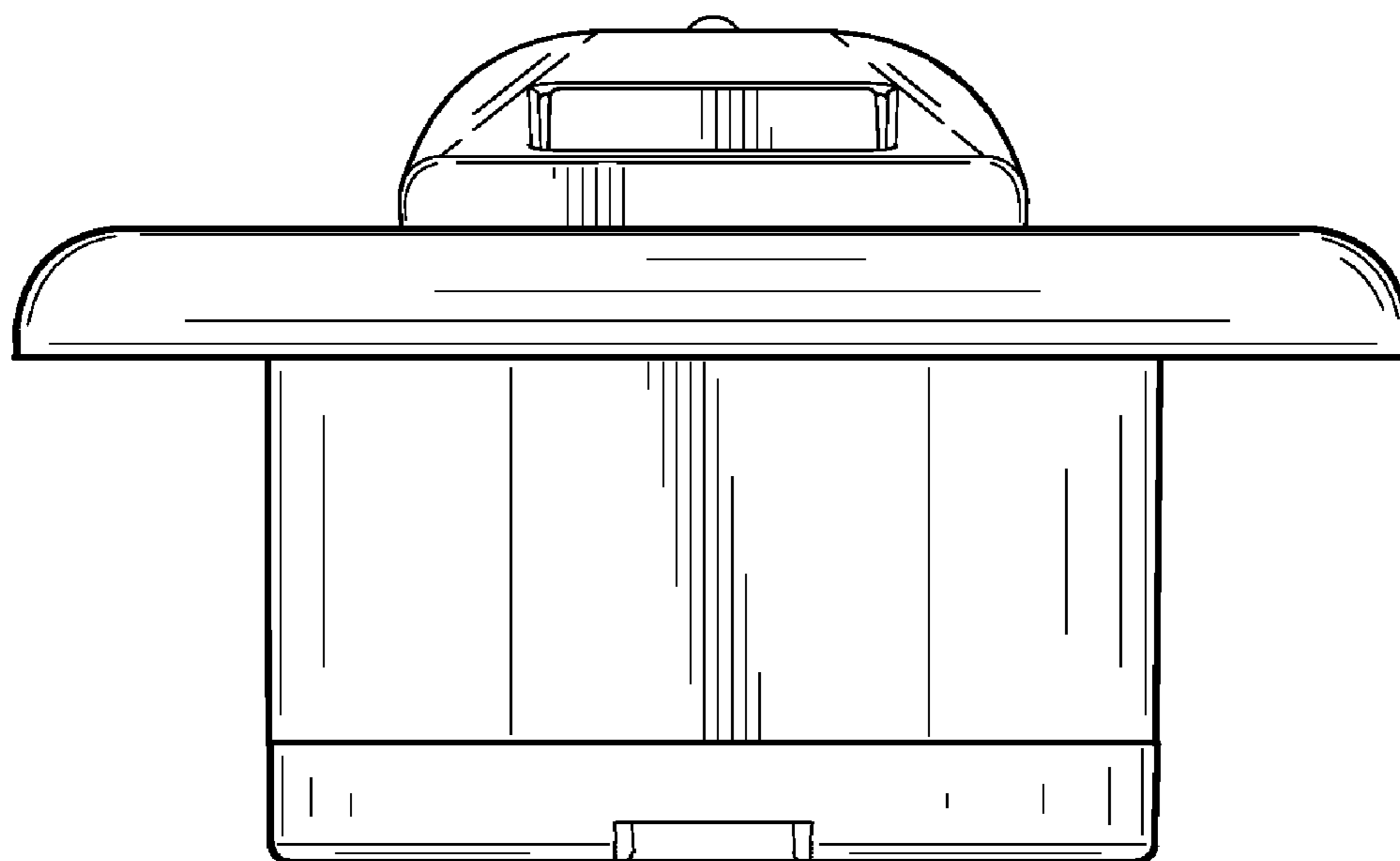


FIG. 7