



US00D583674S

(12) **United States Design Patent**
Terrasi

(10) **Patent No.:** **US D583,674 S**

(45) **Date of Patent:** **** Dec. 30, 2008**

(54) **PACKAGING FOR FOOD PRODUCTS SUCH AS CONFECTIONERY PRODUCTS**

D445,689 S * 7/2001 McCutchan D9/414

* cited by examiner

(75) Inventor: **Giuseppe Terrasi**, Benevello (IT)

Primary Examiner—Sandra Morris

(73) Assignee: **Soremartec S.A.**, Schoppach Arlon (BE)

(74) *Attorney, Agent, or Firm*—Rothwell, Figg, Ernst & Manbeck, P.C.

(**) Term: **14 Years**

(57) **CLAIM**

(21) Appl. No.: **29/297,491**

The ornamental design for a packaging for food products such as confectionery products, as shown and described.

(22) Filed: **Nov. 13, 2007**

(30) **Foreign Application Priority Data**

DESCRIPTION

May 22, 2007 (EM) 000726567

FIG. 1 shows a front side view of the packaging for food products such as confectionery products showing my new design;

(51) **LOC (8) Cl.** **09-01**

(52) **U.S. Cl.** **D9/600; D6/415**

FIG. 2 shows the right side view thereof;

(58) **Field of Classification Search** D9/600,
D9/633, 643, 707–71, 414, 415, 418; 206/457,
206/459.5, 462, 484; 220/890

FIG. 3 shows the left side view thereof;

See application file for complete search history.

FIG. 4 shows the back side view thereof;

FIG. 5 shows the top side view thereof;

(56) **References Cited**

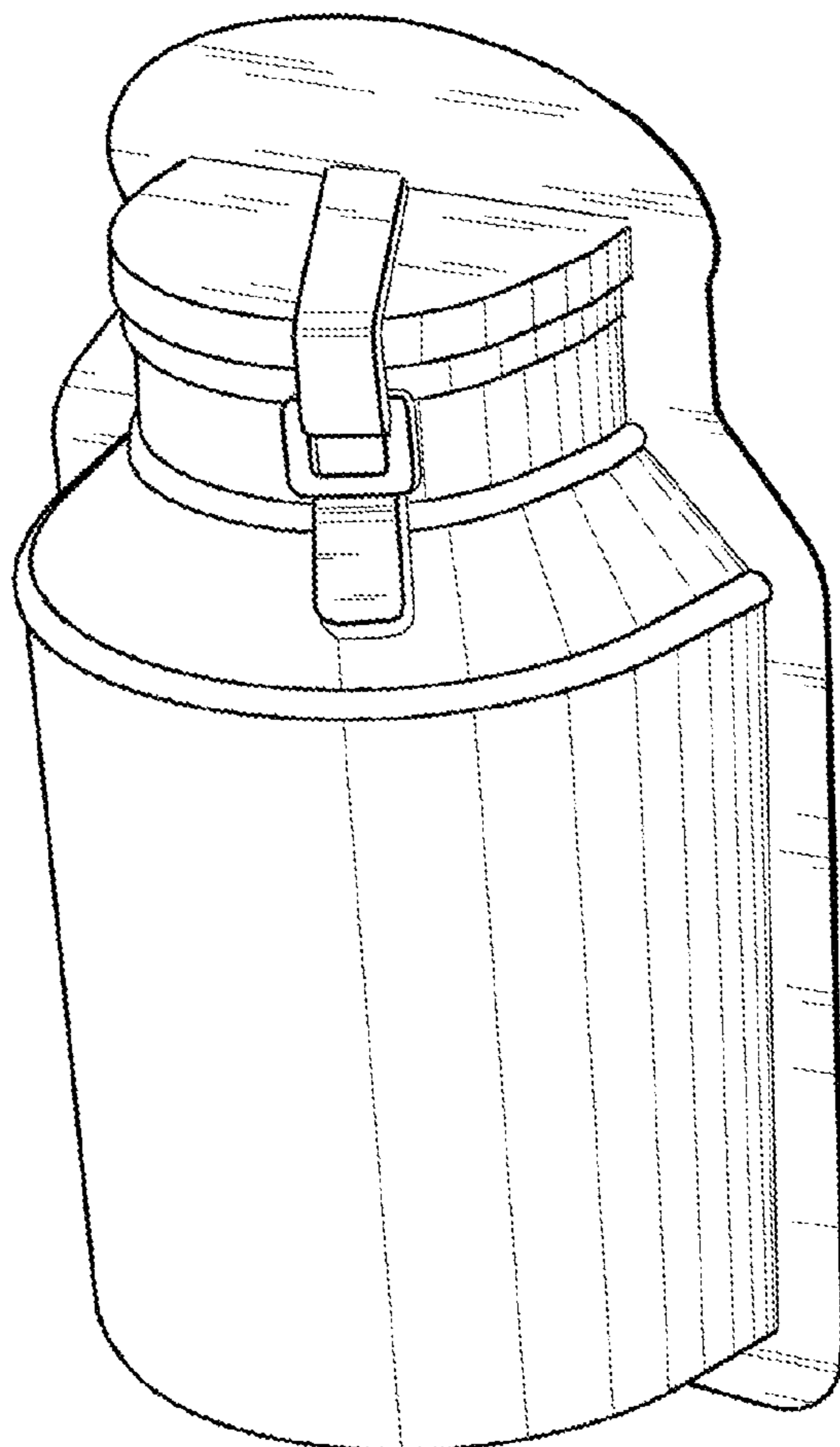
FIG. 6 shows the bottom side view thereof; and,

FIG. 7 shows the perspective view thereof.

U.S. PATENT DOCUMENTS

D173,640 S * 12/1954 Cargill et al. D9/600

1 Claim, 7 Drawing Sheets



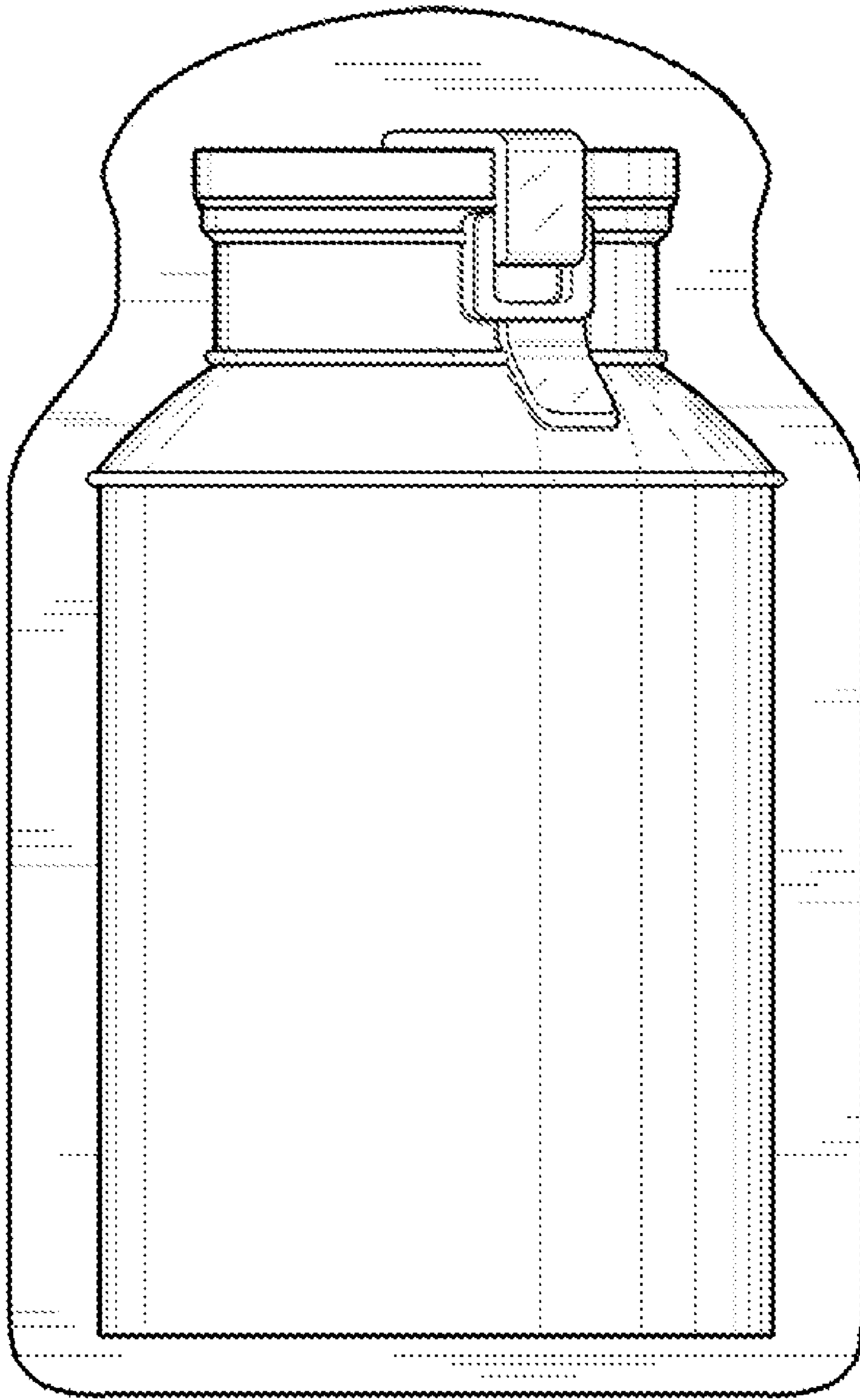


FIG. 1

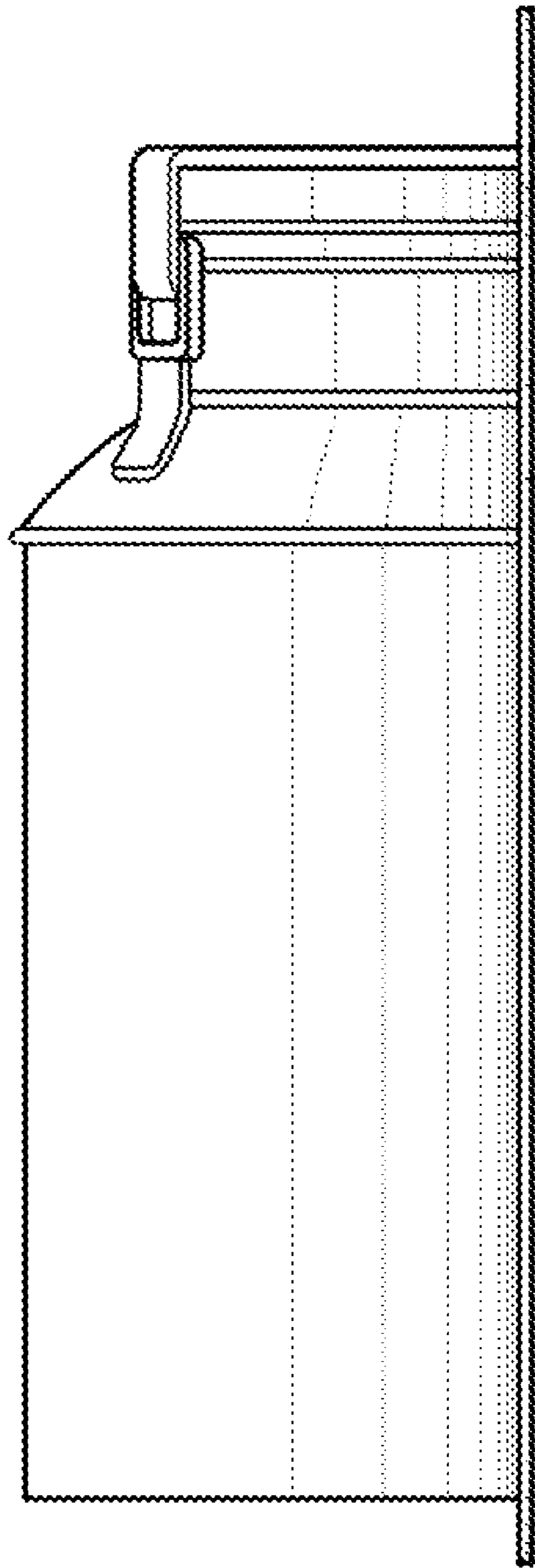


FIG.2

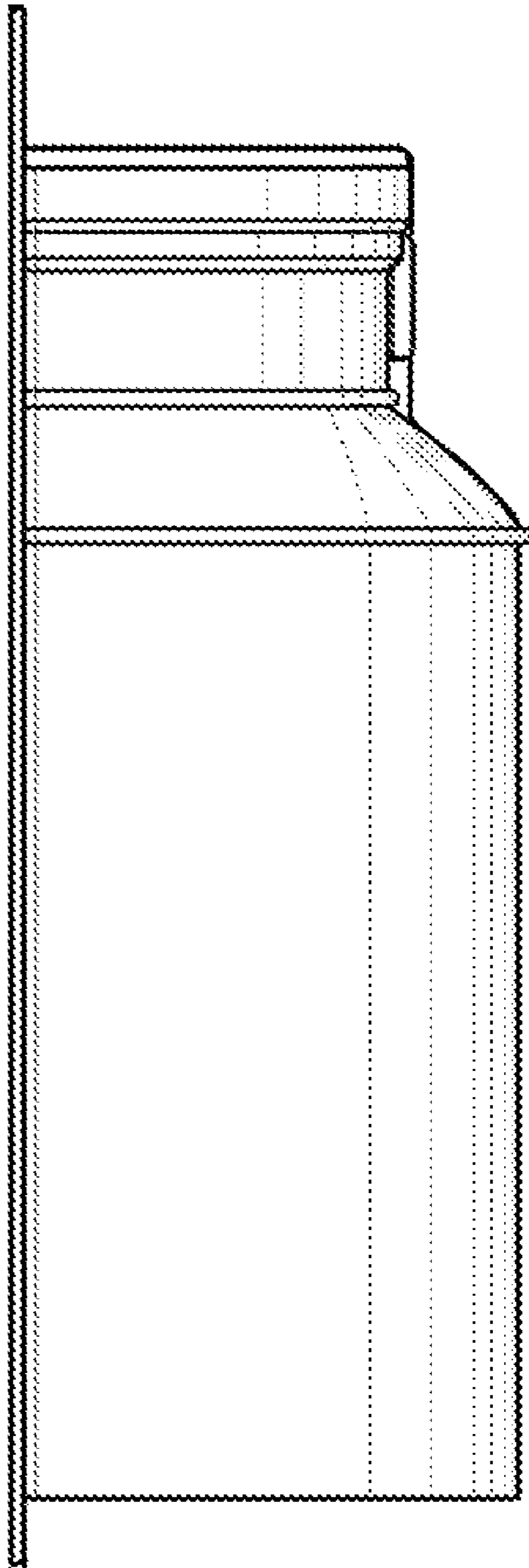


FIG.3

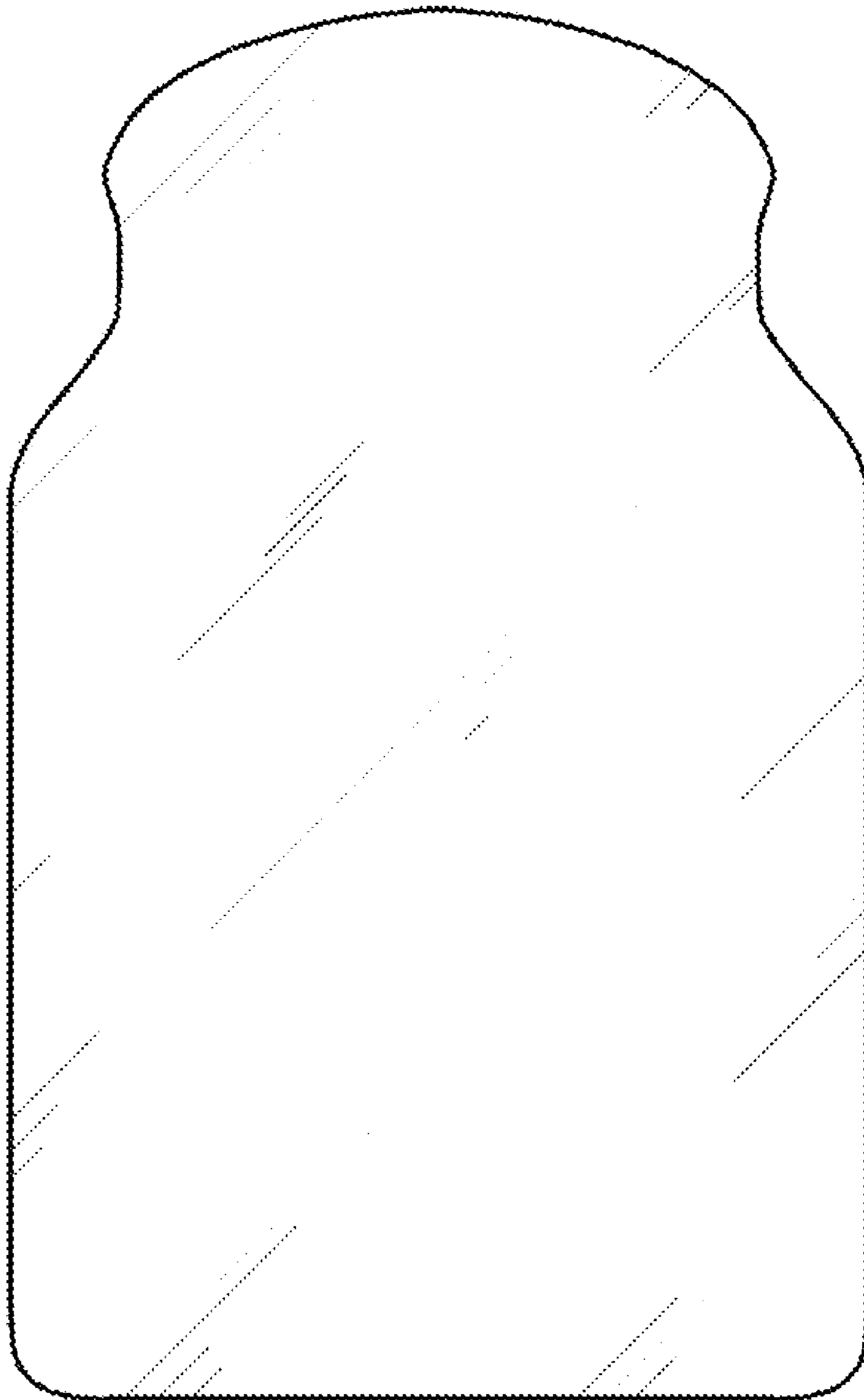


FIG.4

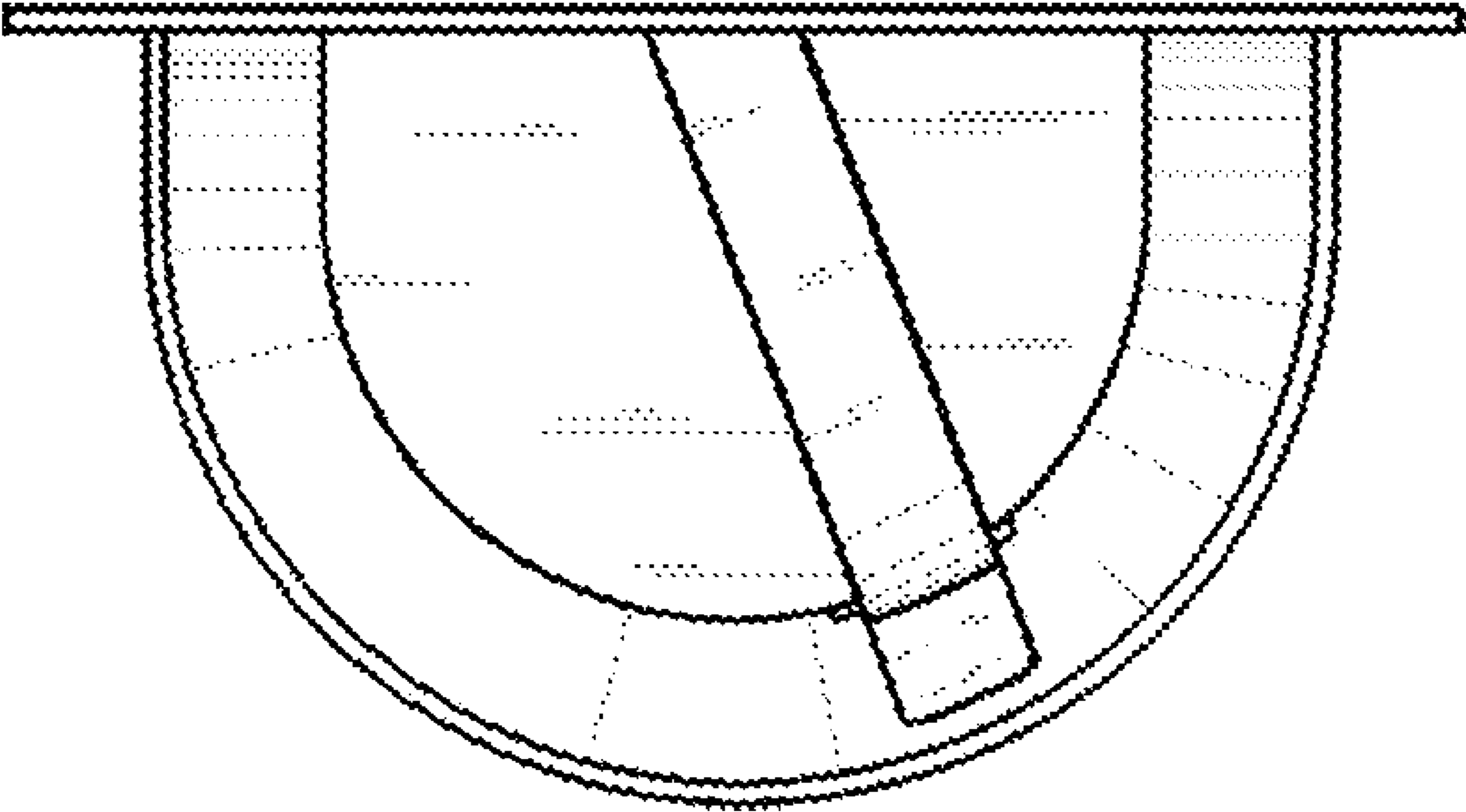


FIG.5

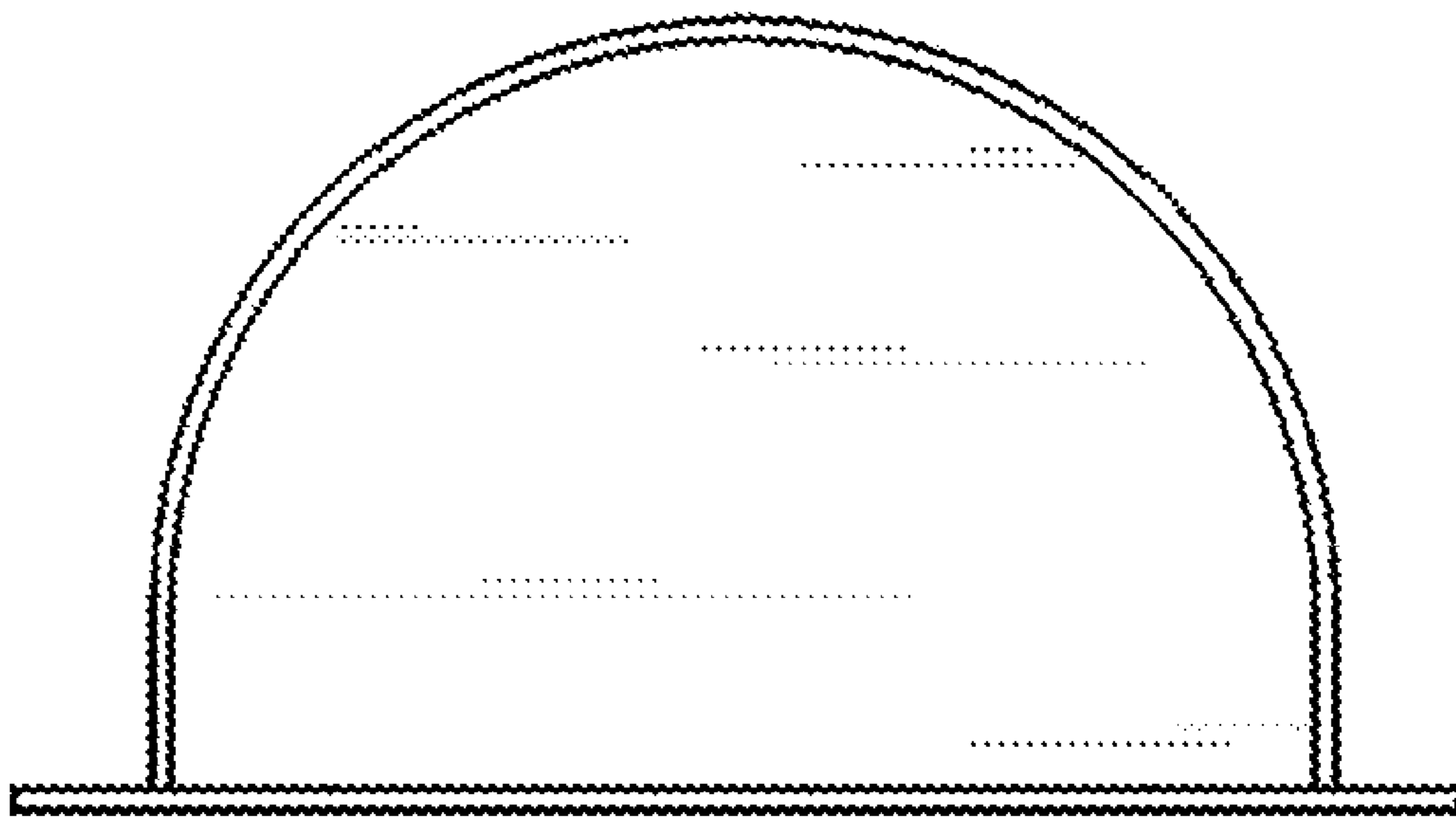


FIG.6

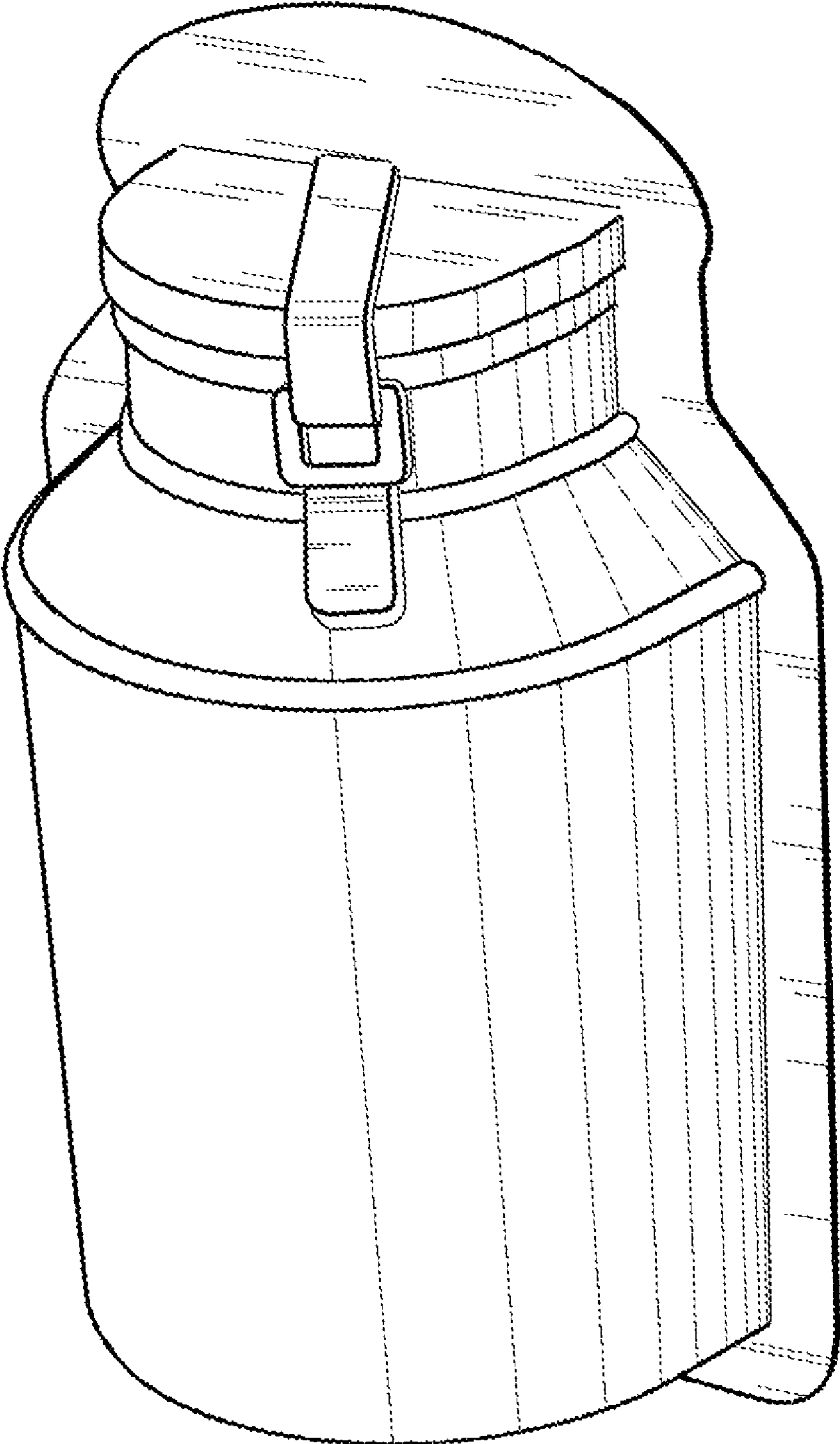


FIG. 7