



US00D583670S

(12) **United States Design Patent**
Lamb et al.

(10) **Patent No.:** **US D583,670 S**

(45) **Date of Patent:** **** Dec. 30, 2008**

(54) **CAP**

D319,981 S * 9/1991 Sledge D9/447
D435,445 S * 12/2000 Arai et al. D9/447
7,210,593 B2 * 5/2007 Stull et al. 215/252

(75) Inventors: **John David Lamb**, Bottlesford-Pewsey (GB); **Corinne Elizabeth Elstow**, Marlborough (GB); **Ala David Whiting**, Marlborough (GB); **Peter Booth**, Marlborough (GB); **Raphael Louis Mangin**, Beijing (CN); **Dominique Celine Ignace Marie Geeraert**, Wortegem (BE)

* cited by examiner

Primary Examiner—Susan Bennett Hattan
(74) *Attorney, Agent, or Firm*—Mark A. Charles; Kim William Zerby; Steven W. Miller

(73) Assignee: **The Procter & Gamble Company**, Cincinnati, OH (US)

(57) **CLAIM**

The ornamental design for a cap, as shown and described.

(**) Term: **14 Years**

DESCRIPTION

(21) Appl. No.: **29/270,003**

(22) Filed: **Dec. 13, 2006**

(51) **LOC (8) Cl.** **09-07**

(52) **U.S. Cl.** **D9/454**

(58) **Field of Classification Search** D9/733,
D9/726, 529, 501, 503, 454, 450, 449, 447,
D9/440, 435; D28/7; D24/224; 222/566,
222/562, 255, 254.1; 220/288, 259.3, 257.1,
220/256.1, 254.1, 212; 215/252

See application file for complete search history.

FIG. 1 is an isometric view of the cap, embodying the new design;

FIG. 2 is a left view thereof;

FIG. 3 is a right thereof;

FIG. 4 is a front view thereof;

FIG. 5 is a back view thereof;

FIG. 6 is a top view thereof; and,

FIG. 7 is a bottom view thereof.

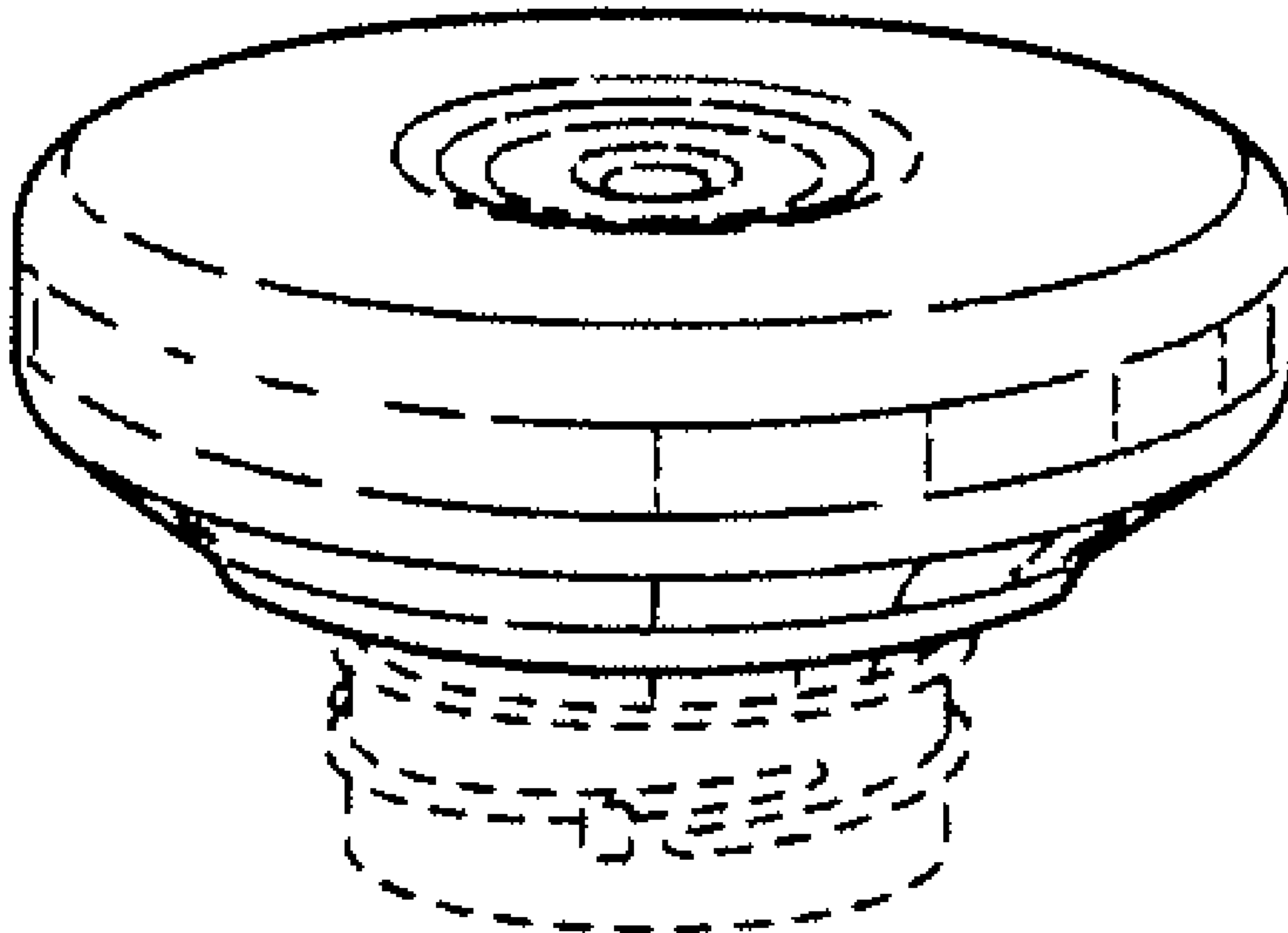
The broken lines in the drawing showing of the neck of the cap depict environmental subject matter only and form no part of the claimed design.

(56) **References Cited**

U.S. PATENT DOCUMENTS

3,207,375 A * 9/1965 Bereziat et al. 222/562

1 Claim, 1 Drawing Sheet



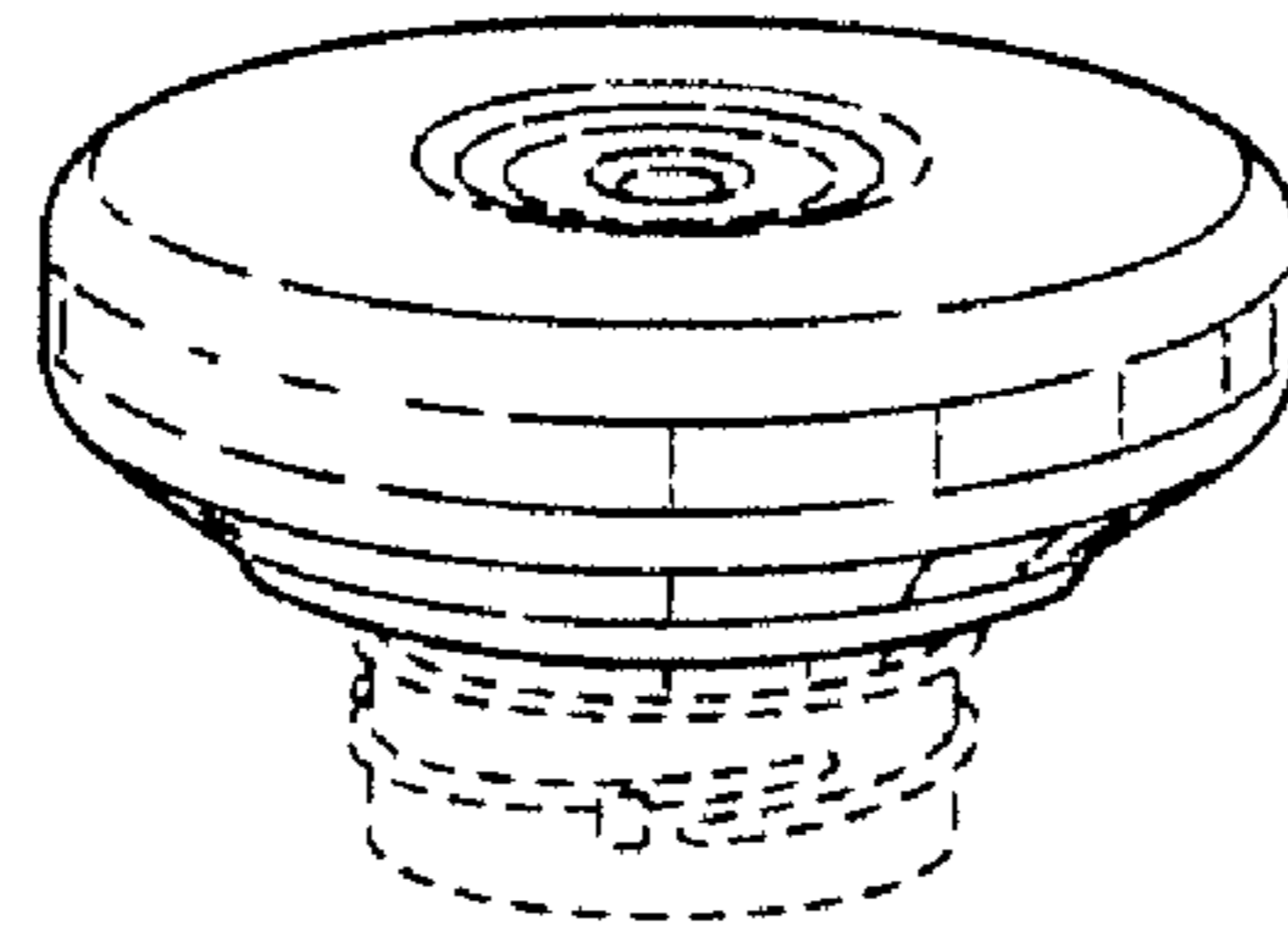


Fig. 1

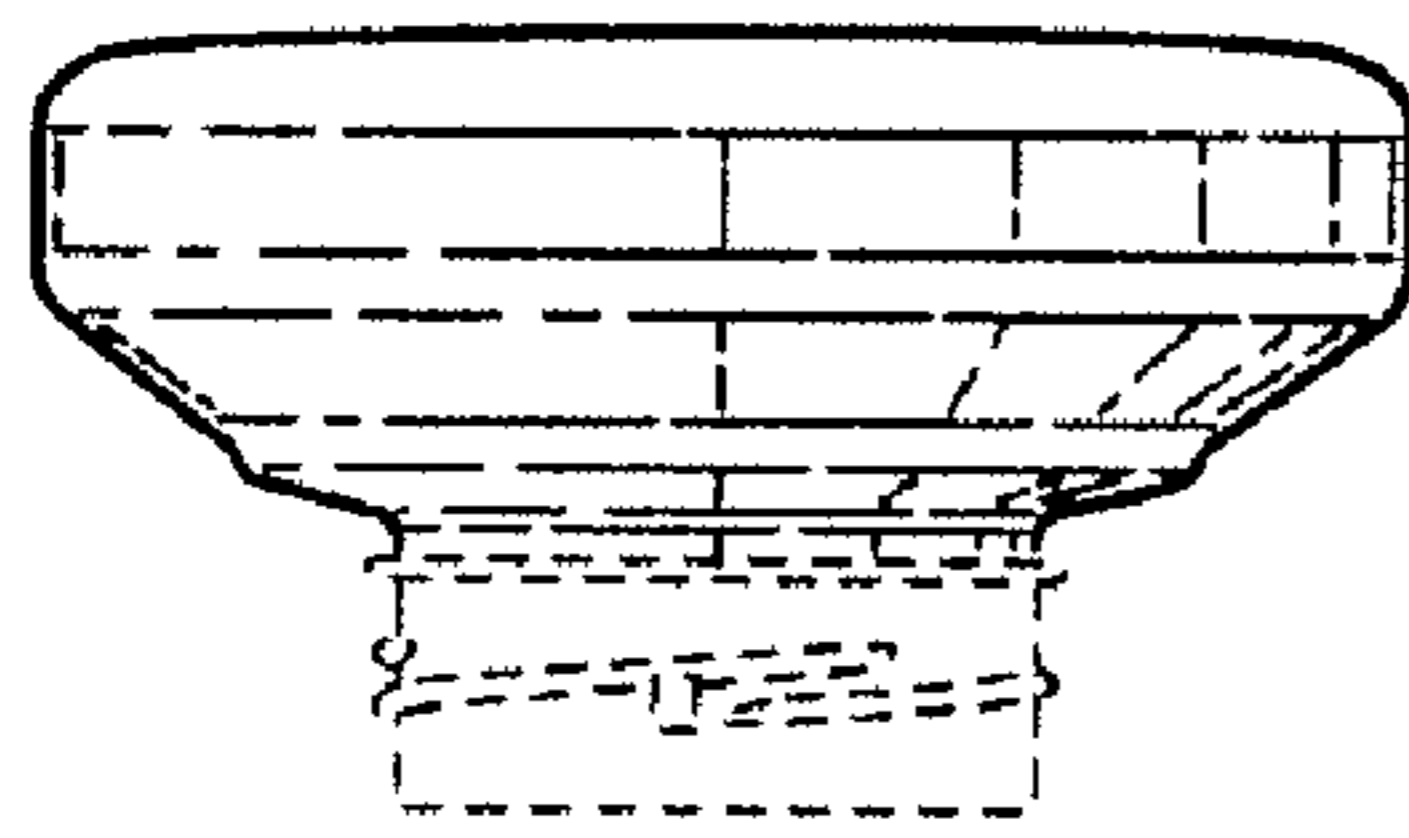


Fig. 2

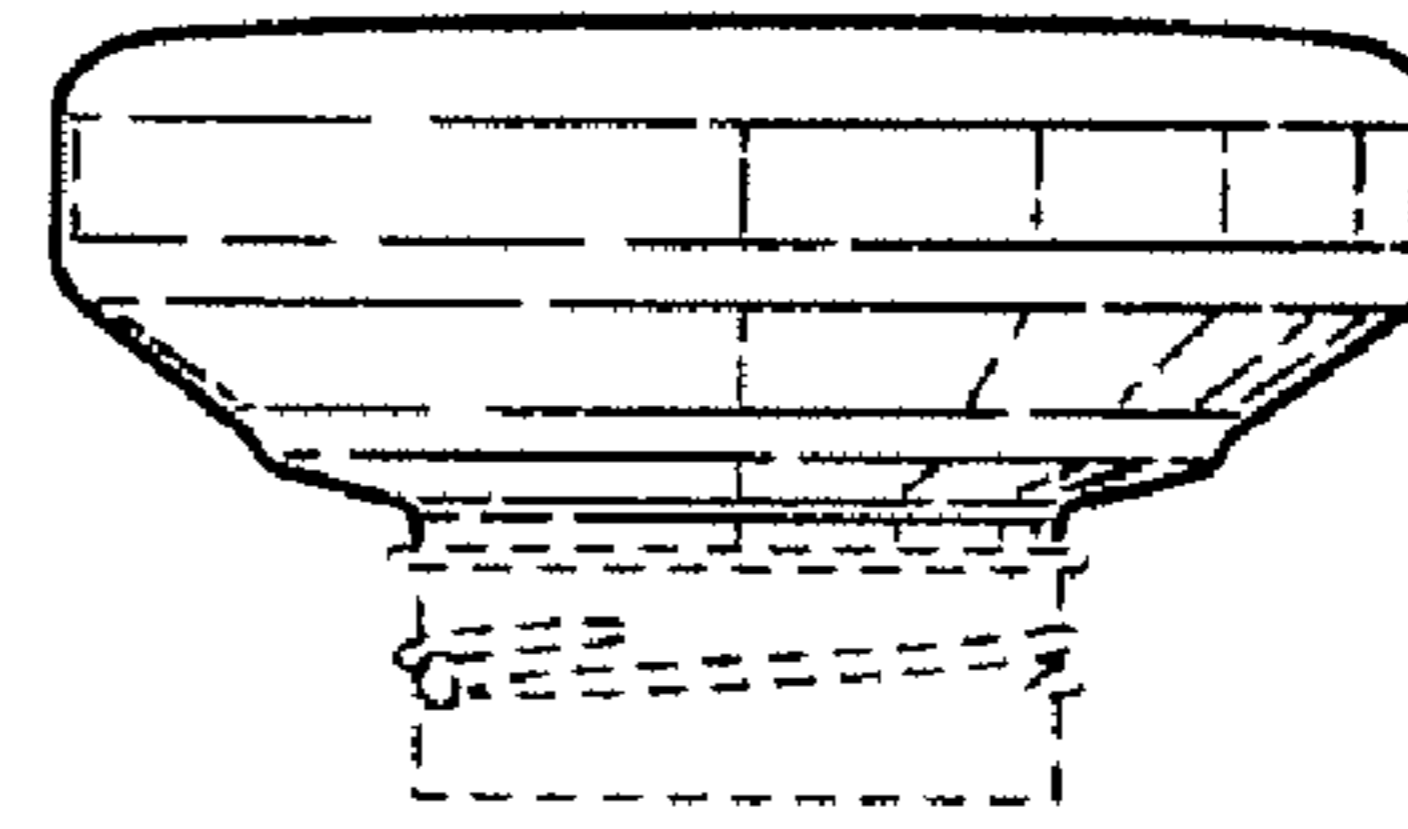


Fig. 3

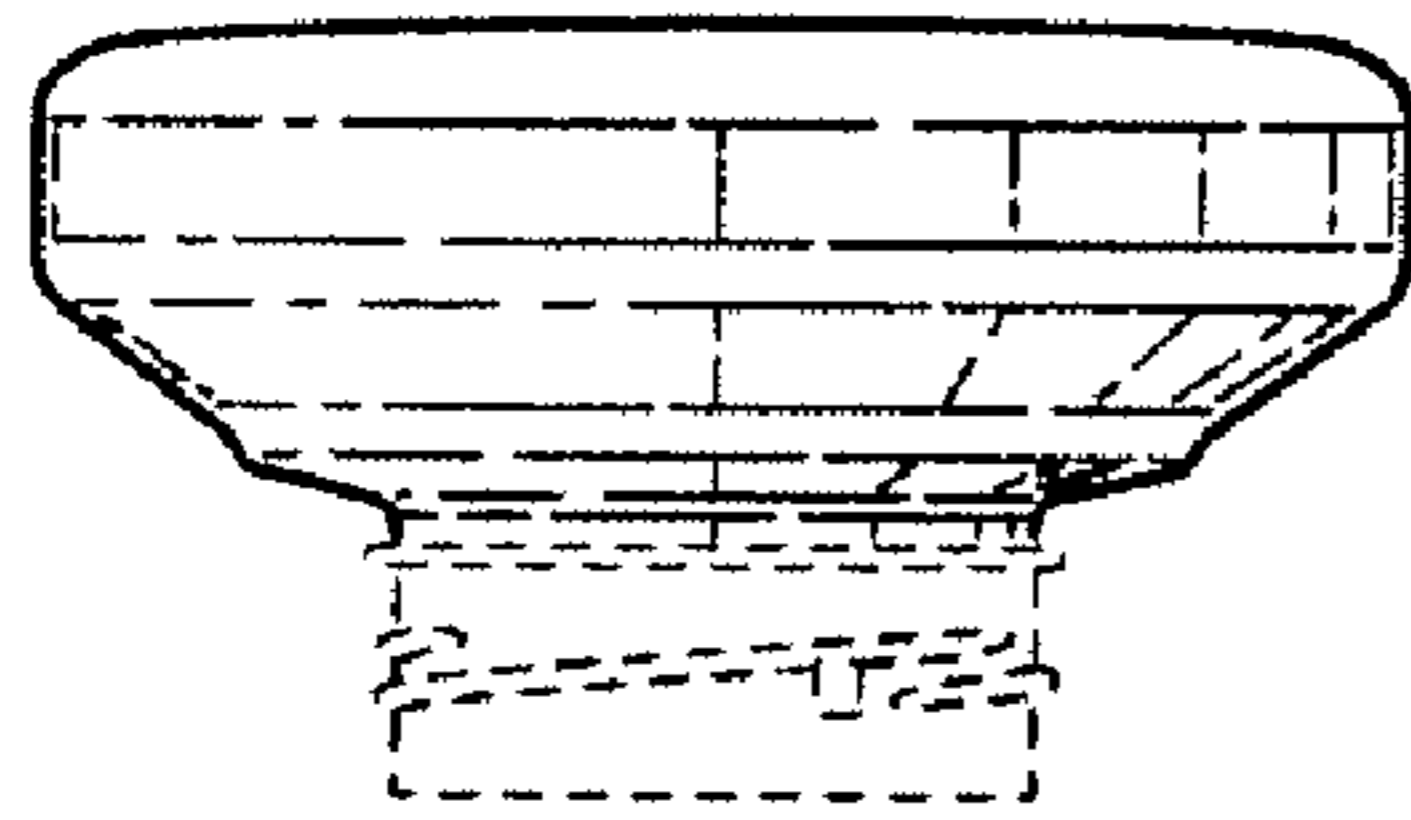


Fig. 4

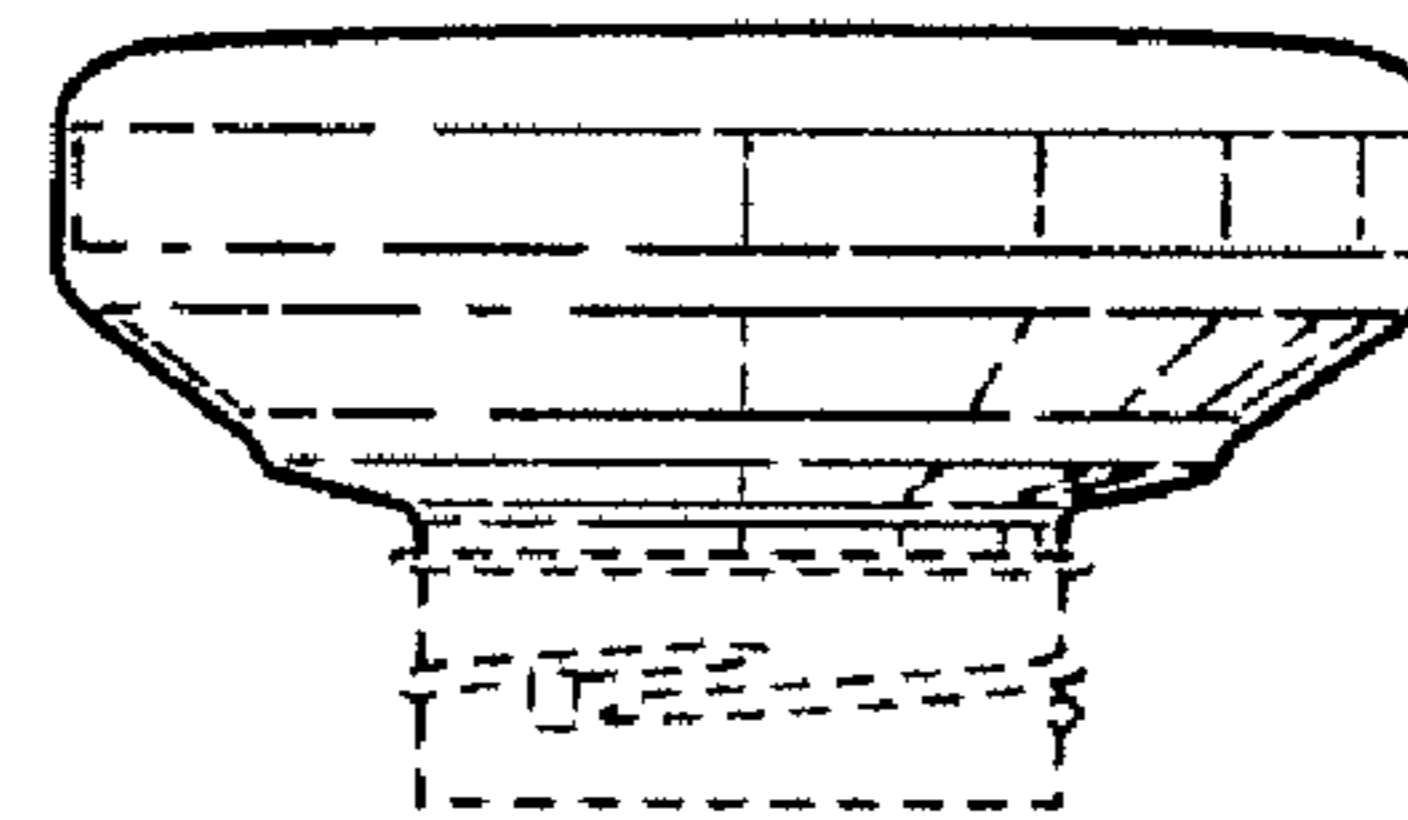


Fig. 5

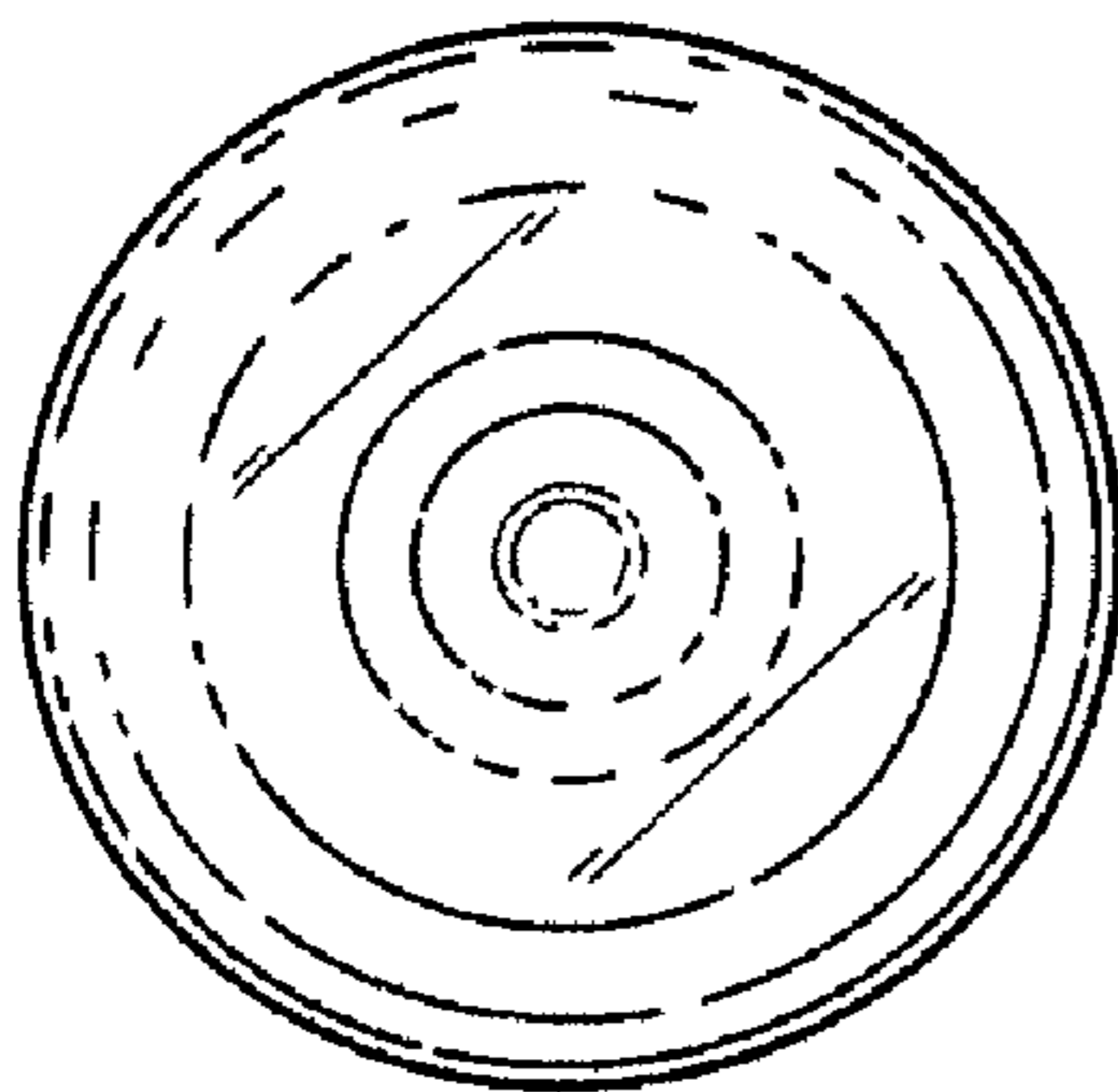


Fig. 6

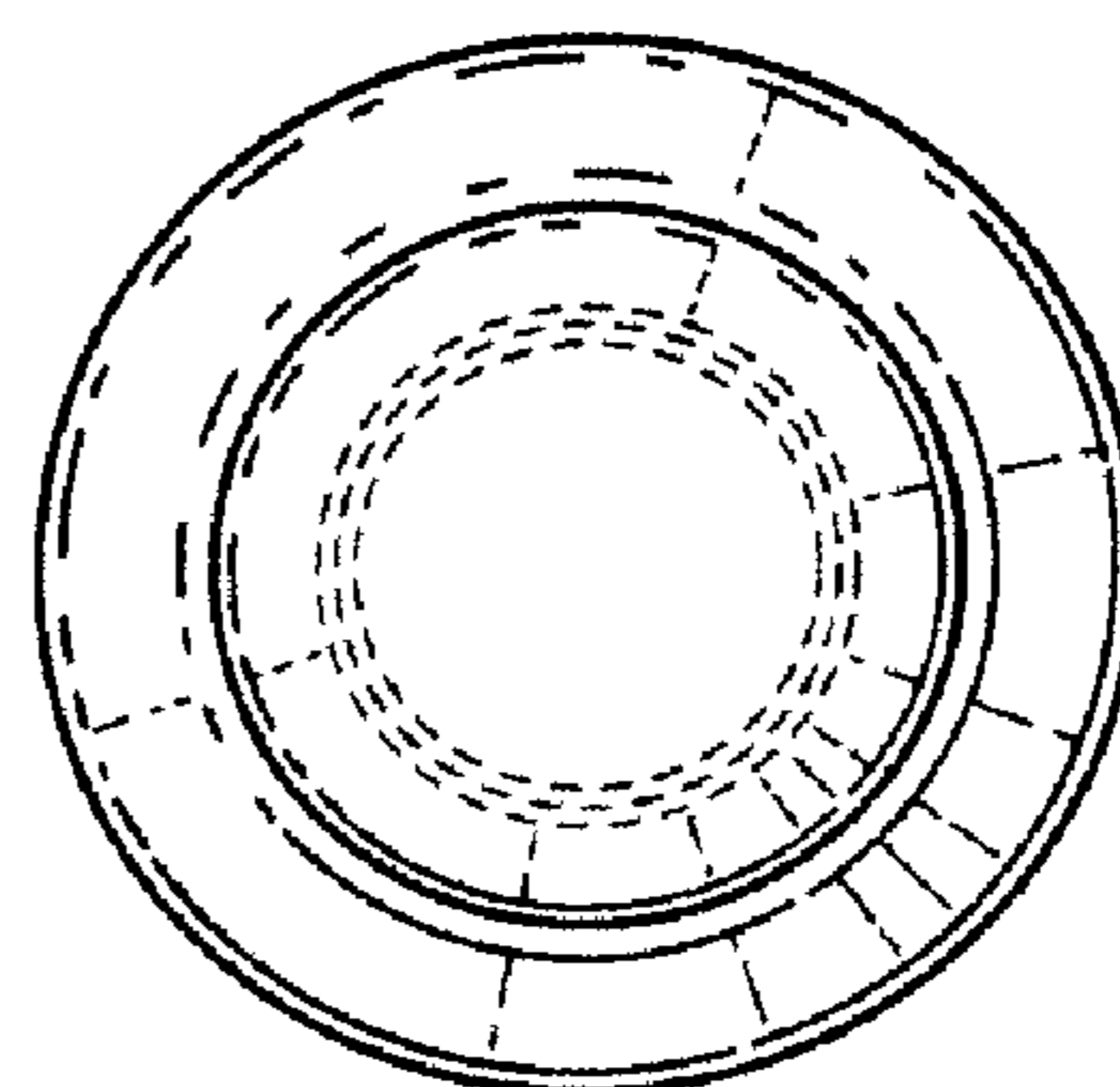


Fig. 7