



US00D583664S

(12) **United States Design Patent**
Franzone, Jr.

(10) **Patent No.:** **US D583,664 S**

(45) **Date of Patent:** **** Dec. 30, 2008**

(54) **FLEXIBLE HANDLE**

(75) Inventor: **Andrew Lawrence Franzone, Jr.**,
Westhampton, NY (US)

(73) Assignee: **Allen Field Company, Inc.**,
Farmingdale, NY (US)

(**) Term: **14 Years**

(21) Appl. No.: **29/266,797**

(22) Filed: **Sep. 27, 2006**

(51) **LOC (8) Cl.** **09-07**

(52) **U.S. Cl.** **D9/434**

(58) **Field of Classification Search** D9/734,
D9/722, 652, 457, 454, 447, 443, 435, 434,
D9/432, 430, 418, 415, 414; D8/367, 300;
D6/515; D20/40, 27, 22, 11, 10; D14/495,
D14/491, 489, 488, 487; D11/95, 84, 83,
D11/81, 241, 240, 238, 225, 224, 223, 116;
294/158, 145; 221/63, 48, 305, 303; 229/117.23;
16/444; D3/328, 318, 309

See application file for complete search history.

(56) **References Cited**

U.S. PATENT DOCUMENTS

D206,079 S * 10/1966 Swett D9/434
3,362,598 A * 1/1968 Rieger 294/158
3,412,422 A * 11/1968 Champlin 16/444
D221,056 S * 7/1971 Minoff D8/367
D422,500 S * 4/2000 Prevot D9/434

D423,349 S * 4/2000 Lyons et al. D9/434

* cited by examiner

Primary Examiner—Susan B Hattan

(74) *Attorney, Agent, or Firm*—Harrington & Smith, PC

(57) **CLAIM**

I claim the ornamental design for a flexible handle, as shown and described.

DESCRIPTION

FIG. 1 is a rear elevational view of a flexible handle incorporating my new design;

FIG. 2 is a bottom plan view thereof, the top view being a mirror image thereof;

FIG. 3 is a right side elevational view thereof, the left side being a mirror image thereof;

FIG. 4 is a front elevational view thereof;

FIG. 5 is a cross sectional view taken along line 5—5 in FIG. 1;

FIG. 6 is a rear elevational view of a second embodiment of the handle shown in FIG. 1;

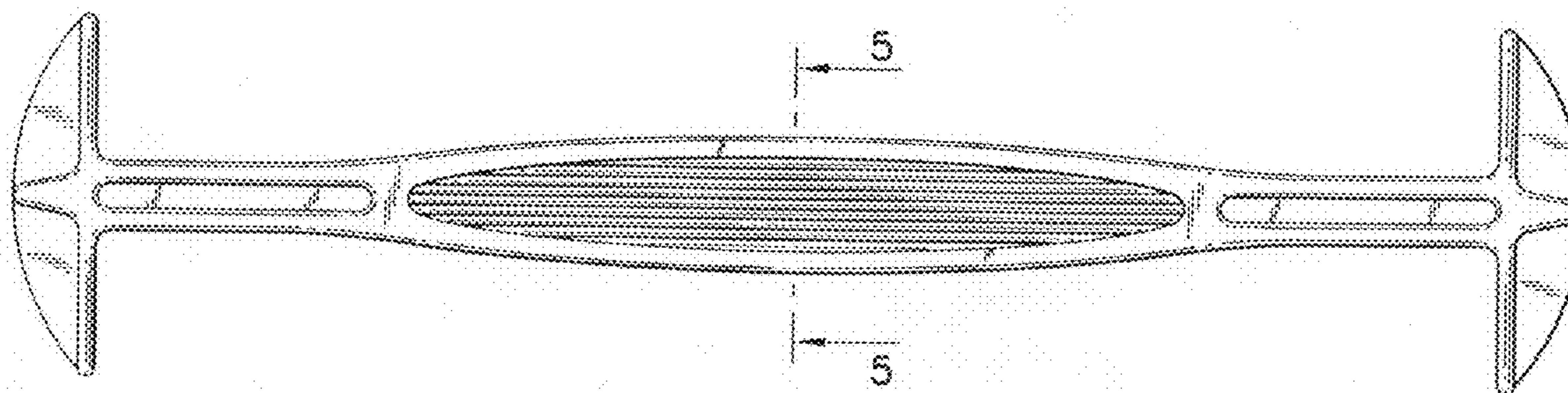
FIG. 7 is a bottom plan view thereof, the top view being a mirror image thereof;

FIG. 8 is a left side elevational view thereof, the right side being a mirror image thereof;

FIG. 9 is a front elevational view thereof; and,

FIG. 10 is a cross sectional view taken along line 10—10 in FIG. 6.

1 Claim, 3 Drawing Sheets



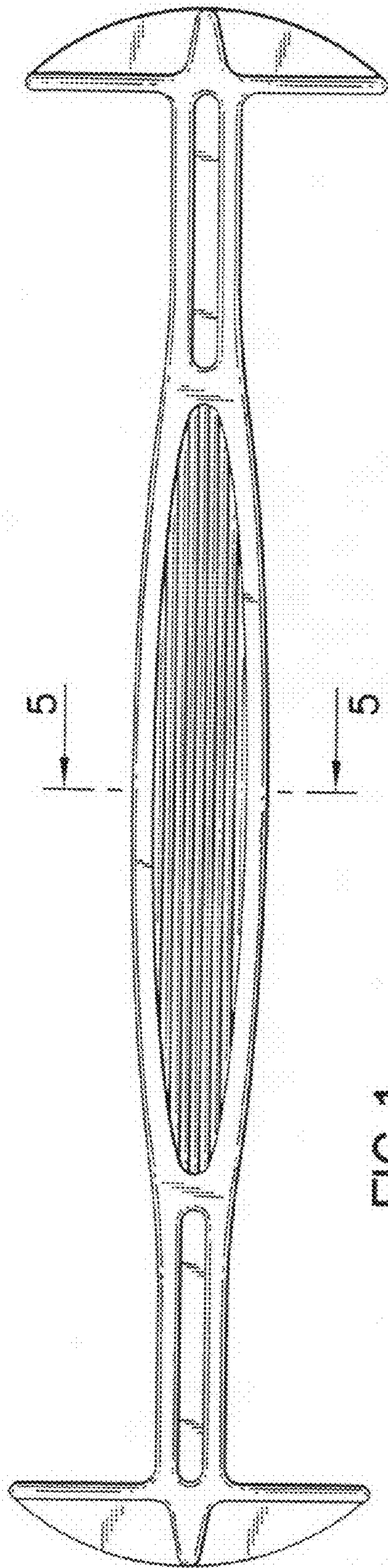


FIG. 1

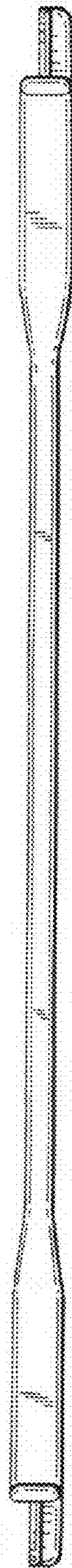


FIG. 2

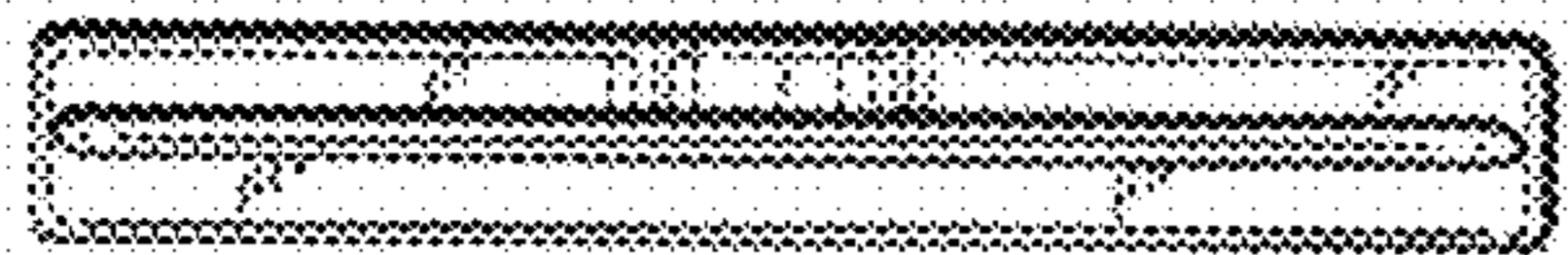
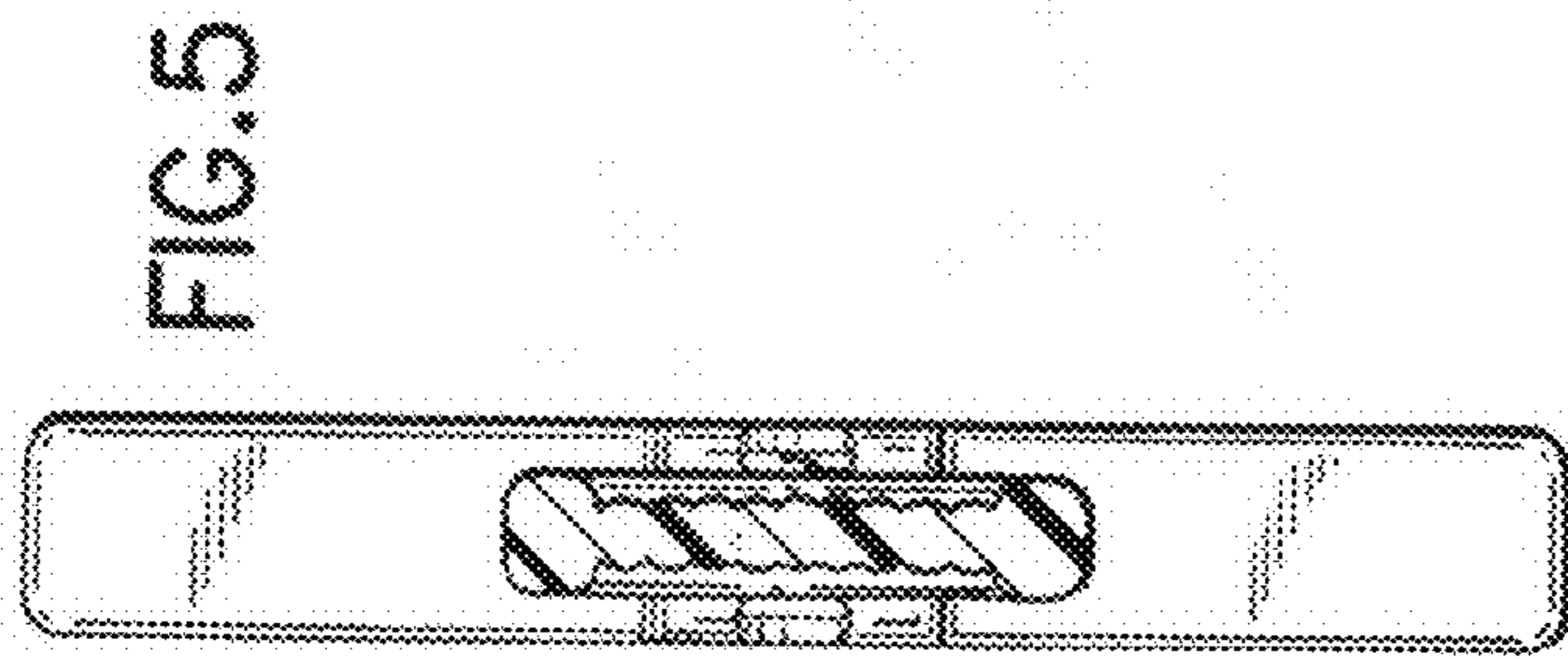


FIG. 3

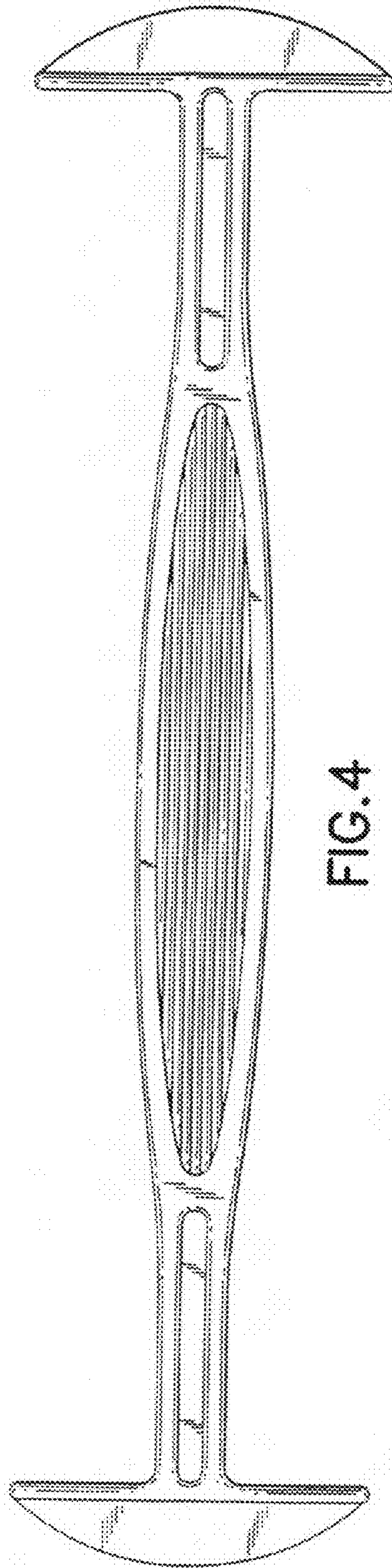


FIG. 4

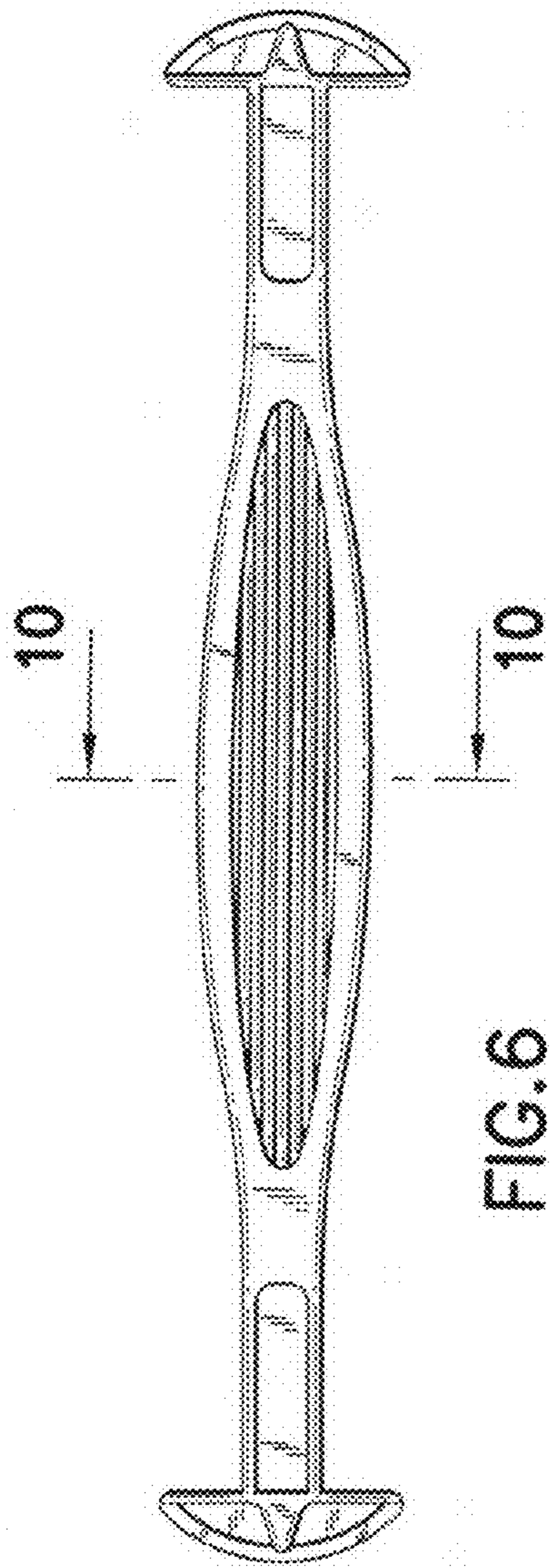


FIG. 8

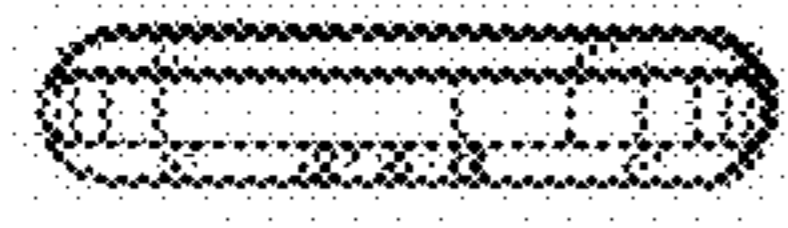


FIG. 7

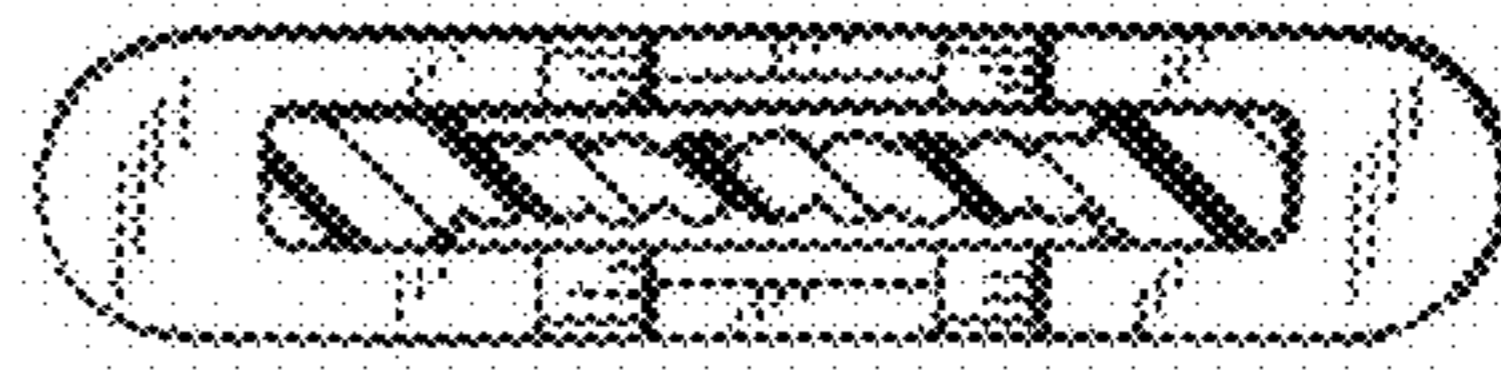


FIG. 10

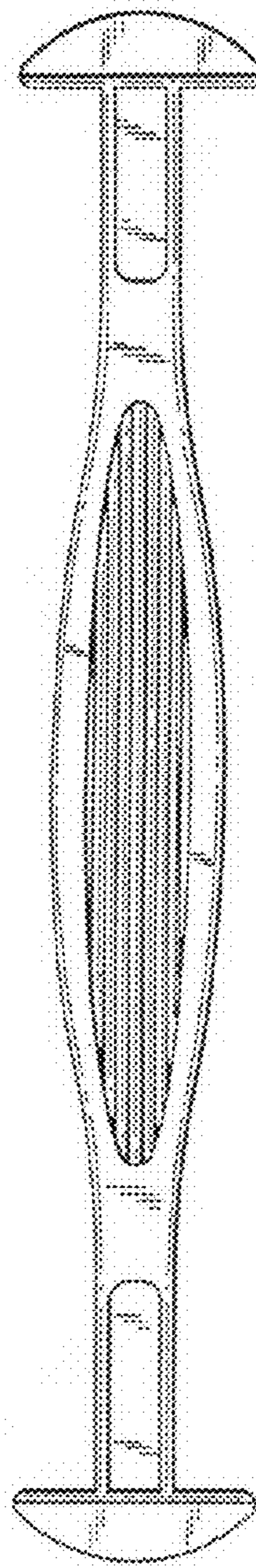


FIG. 9