



US00D583659S

(12) **United States Design Patent**
Lyon et al.

(10) **Patent No.:** **US D583,659 S**

(45) **Date of Patent:** **** Dec. 30, 2008**

(54) **PACKAGE FOR FOOD PRODUCTS**

D282,147 S 1/1986 Mangla D9/757

D282,245 S 1/1986 Yeung D9/425

(75) Inventors: **Cari Lyon**, Minneapolis, MN (US); **Erin G. H. Rezac**, Minneapolis, MN (US); **Gandhi Sifuentes**, Whittier, CA (US); **Craig Snedden**, Culver City, CA (US)

(Continued)

(73) Assignee: **Target Brands, Inc.**, Minneapolis, MN (US)

OTHER PUBLICATIONS

The Brenmar Company, Inc., Hinged Cupcake/Muffin Containers, <http://www.brenmarco.com/supermarket/SUPERMARKET%20LARGE%20PAGES/cupcakecont.html>. Jan. 31, 2008, 3 pages.

(Continued)

(**) Term: **14 Years**

(21) Appl. No.: **29/304,477**

(22) Filed: **Mar. 3, 2008**

(51) **LOC (8) Cl.** **09-03**

(52) **U.S. Cl.** **D9/425; D9/737; D9/761; D9/757**

(58) **Field of Classification Search** D9/737, D9/761, 759, 414, 420-426, 430-432, 757, D9/418; 7/553.1, 553.6, 553.7, 553.8, 629, 7/602; 206/564, 541, 546, 521.1; 220/4.23, 220/835, 839, 555, 575, 4.26, 4.27, 556, 220/557, 553, 23.8, 23.83, 315, 324, 326, 220/4.21; 229/902-904, 906, 406, 407, 110
See application file for complete search history.

Primary Examiner—Stella M Reid

Assistant Examiner—Mark A Goodwin

(74) *Attorney, Agent, or Firm*—Theodore M. Magee; Westman, Champlin & Kelly, P.A.

(57) **CLAIM**

The ornamental design for a package for food products, as shown and described.

DESCRIPTION

(56) **References Cited**

U.S. PATENT DOCUMENTS

3,536,251 A	10/1970	Edwards	206/521.1
D222,828 S	1/1972	Giraudet	D9/757
D224,928 S *	10/1972	Riley	D9/456
3,767,110 A	10/1973	Congleton	220/4.23
D230,569 S	3/1974	Fallowfield	D9/423
3,942,707 A	3/1976	Schidlowski et al.	229/406
4,079,880 A	3/1978	Edwards	220/4.21
D254,776 S	4/1980	Edwards	D9/426
D256,097 S	7/1980	Amberg	D9/423
D262,355 S	12/1981	Oakley	D9/757
D263,798 S	4/1982	Edwards	D9/426
D270,708 S	9/1983	Dart	D9/414
D277,167 S	1/1985	Dart	D9/414
D278,412 S	4/1985	Yeung	D9/420
D281,398 S	11/1985	Kesselring	D9/756

FIG. 1 is a top left front perspective view of the package for food products showing our new design.

FIG. 2 is a left side view of the package for food products.

FIG. 3 is a right side view of the package for food products.

FIG. 4 is a front view of the package for food products.

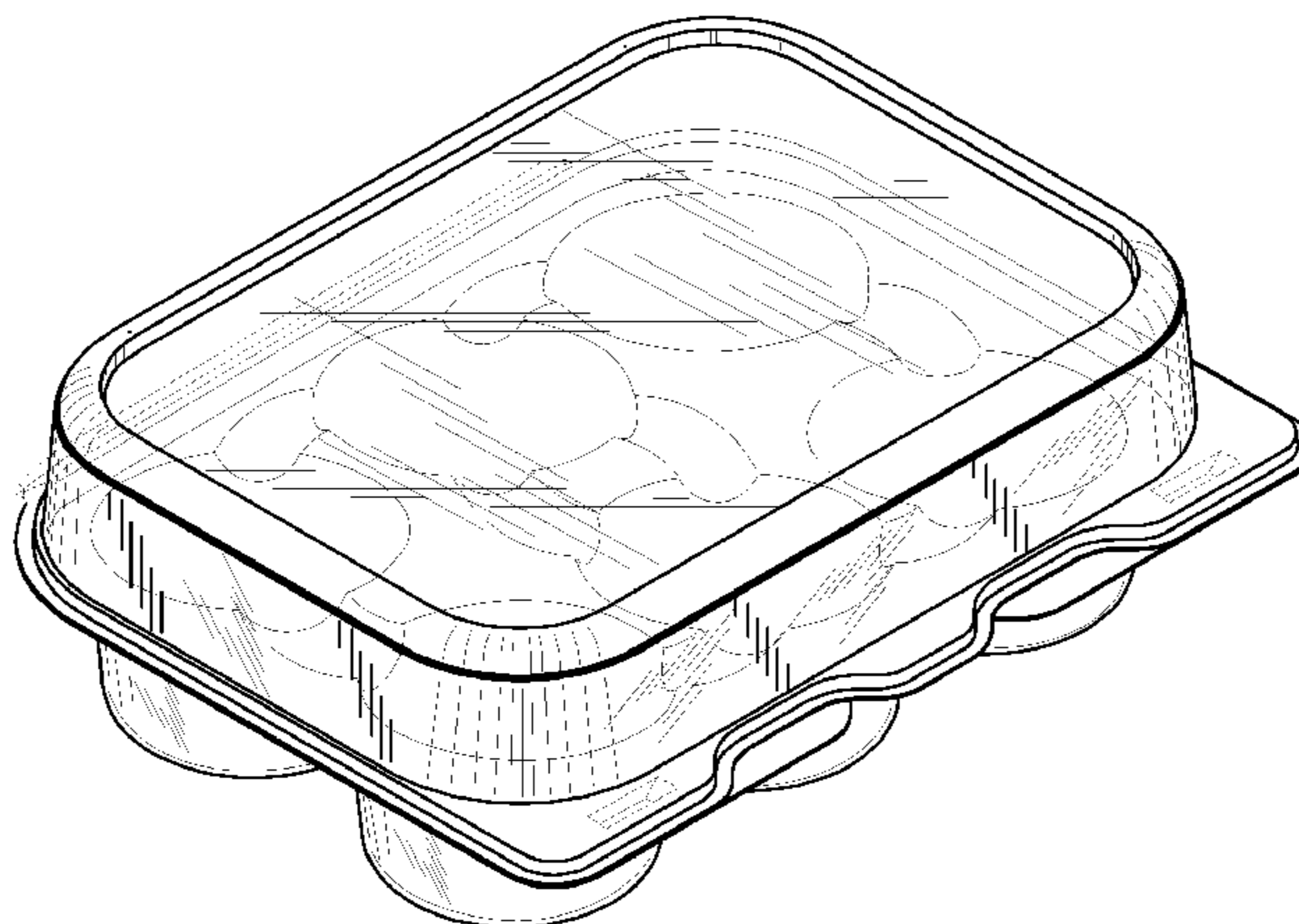
FIG. 5 is a back view of the package for food products.

FIG. 6 is a top view of the package for food products; and,

FIG. 7 is a bottom view of the package for food products.

The broken line showing in FIGS. 1-7 is included for the purpose of illustrating portions of the package for food products and forms no part of the claimed design.

1 Claim, 7 Drawing Sheets



US D583,659 S

Page 2

U.S. PATENT DOCUMENTS

D284,727 S 7/1986 Gerber D7/546
4,660,716 A 4/1987 McMahon et al. 206/216
D304,908 S 12/1989 Natori D9/423
D305,409 S 1/1990 Michaud et al. D9/425
D320,552 S 10/1991 Chanel D9/757
D339,744 S 9/1993 Seppala D9/425
D363,879 S 11/1995 Krupa et al. D9/423
D364,090 S * 11/1995 Krupa D9/429
D376,314 S 12/1996 Krupa D9/425
D379,300 S * 5/1997 Krupa et al. D9/757
D394,985 S 6/1998 Curtis et al. D7/538
D407,014 S 3/1999 McCann D9/423
D407,015 S 3/1999 Jones D9/426
D408,734 S 4/1999 McCann D9/423
D409,085 S 5/1999 Wyslowsky et al. D9/425
D411,448 S 6/1999 Baker D9/415
5,947,321 A 9/1999 Vadney 220/367.1
D446,450 S 8/2001 Zettle et al. D9/425
D448,991 S 10/2001 Zettle et al. D9/425
6,715,632 B2 4/2004 Baker 220/835
D500,674 S 1/2005 Chou D9/737
D505,323 S 5/2005 Ramirez et al. D9/425
D512,305 S 12/2005 Ramirez et al. D9/425
D514,452 S 2/2006 Enriquez D9/758
D531,894 S 11/2006 Ramirez et al. D9/423
D540,666 S 4/2007 Ramirez et al. D9/423
D541,649 S 5/2007 Ramirez et al. D9/426

D557,601 S 12/2007 Minidis et al. D9/425
D572,582 S * 7/2008 Lynn et al. D9/426
D577,578 S * 9/2008 Lynn et al. D9/425
D577,579 S * 9/2008 Lynn et al. D9/426
2004/0007583 A1 1/2004 Lin 220/835

OTHER PUBLICATIONS

Plastic Container City, Hinged Plastic Containers, http://www.plasticcontainercity.com/Hinged_Plastic_Containers-Produced.html, Jan. 31, 2008, 5 pages.
Country Clean Paper Supplies, <http://www.wesellcoffee.com/page72.html>, Jan. 31, 2008, 11 pages.
CM Packaging, http://www.cmpackaging.com/ProductCart/pc/viewCat_g.asp?idCategory=63, Jan. 31, 2008, 1 page.
CM Packaging, http://www.cmpackaging.com/ProductCart/pc/viewCat_h.asp?idCategory=59, Jan. 31, 2008, 4 pages.
Genpak, Clear Hinged Baery Containers, <http://www.genpak.com/cfm/containersbycategory.cfm?catid=71>, Jan. 31, 2008, 3 pages.
ReStockIt.com, Black Plastic Hinged Lid Hoagie Container, [http://www.restockit.com/Black-Plastic-Hinged-Lid-Hoagie-Container-8-\(REY12481\).html](http://www.restockit.com/Black-Plastic-Hinged-Lid-Hoagie-Container-8-(REY12481).html), Jan. 31, 2008, 7 pages.
ReStockIt.com, Plastic Hinged Lid Containers, <http://www.restockit.com/Plastic-Hinged-Lid-Containers.html>, Jan. 31, 2008, 9 pages.
ReStockIt.com, Clear Plastic Hinged Lid 1 Compartment, [http://www.restockit.com/H-Lik---Plastic---1Comp---Large---Clear---\(C55UT1DART\)---ON-SALE-TODAY!.html](http://www.restockit.com/H-Lik---Plastic---1Comp---Large---Clear---(C55UT1DART)---ON-SALE-TODAY!.html), Jan. 31, 2008, 7 pages.

* cited by examiner

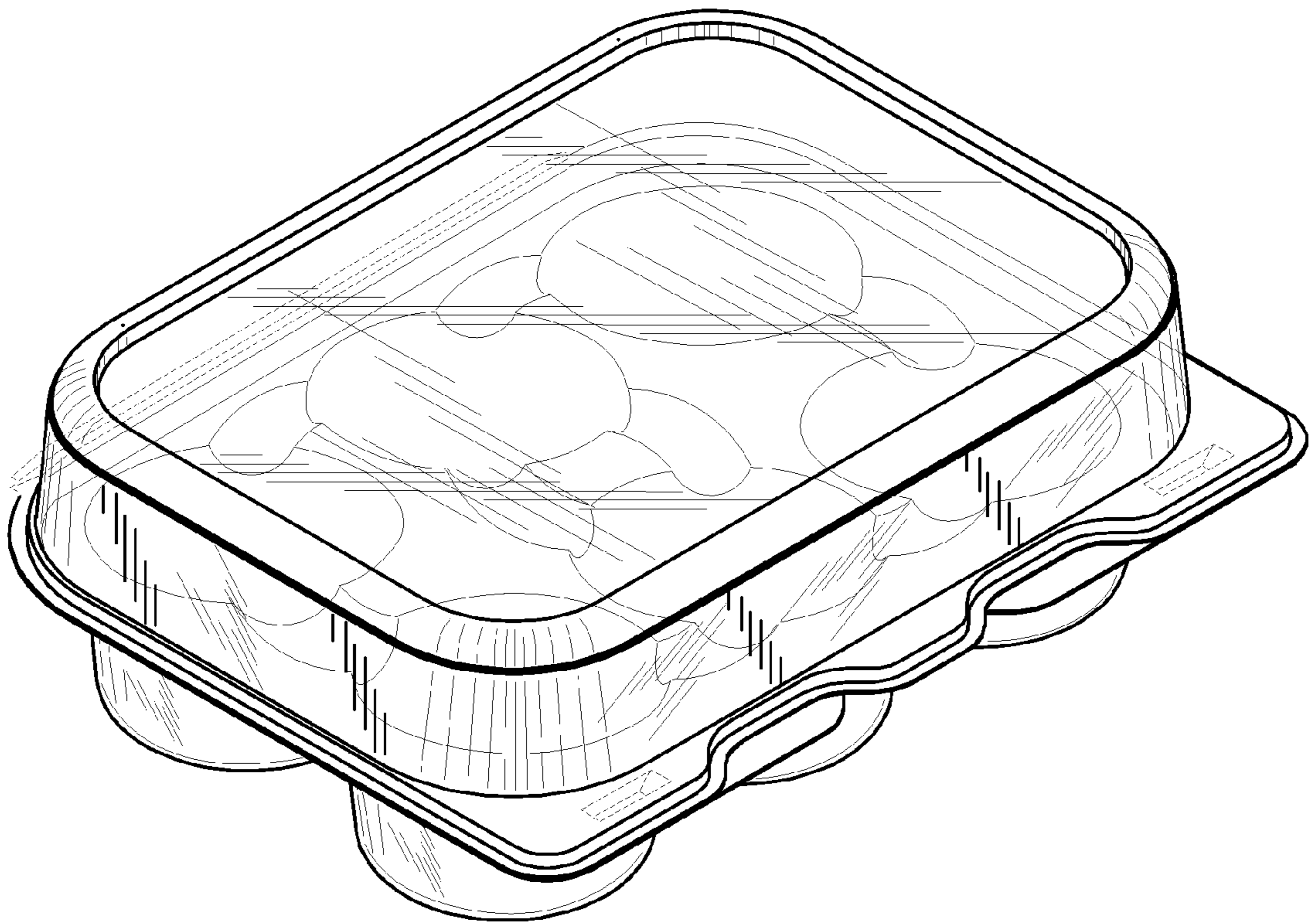


FIG. 1

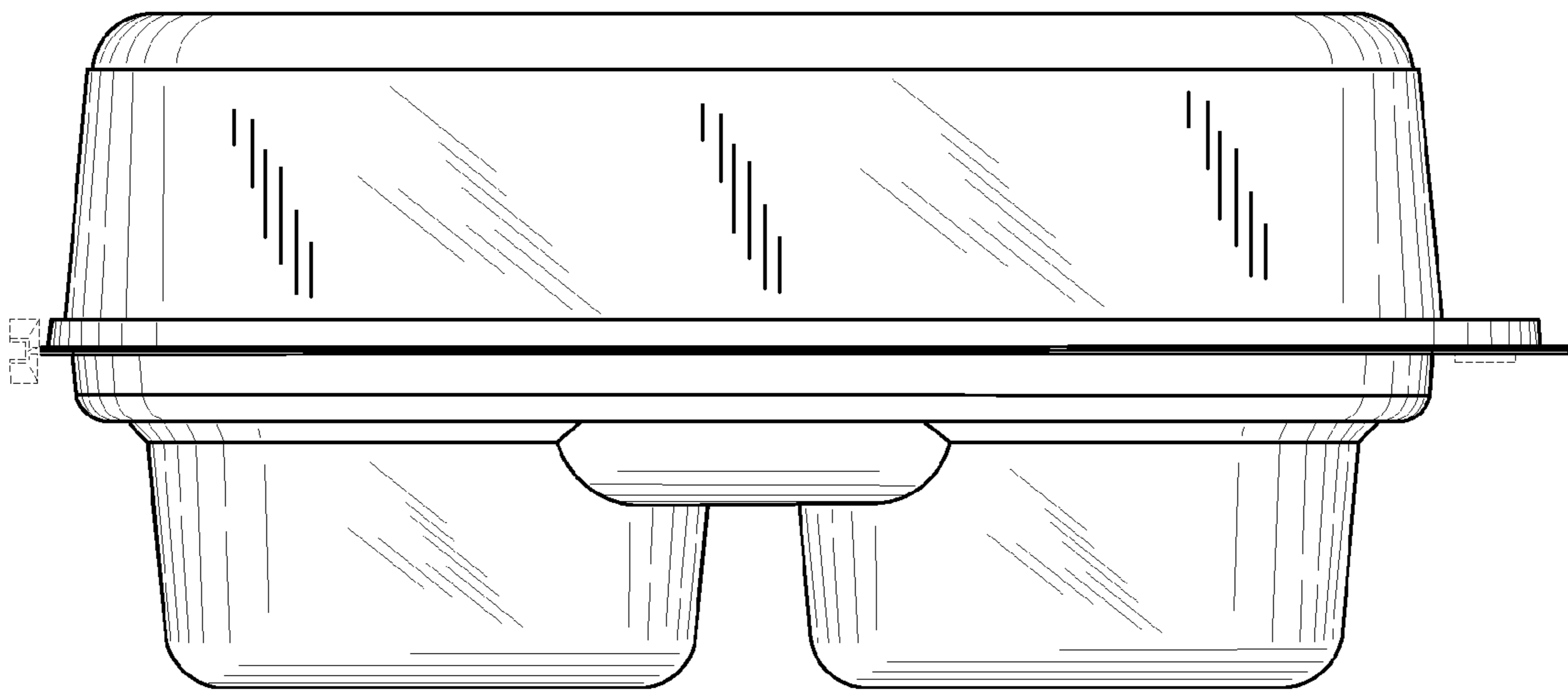


FIG. 2

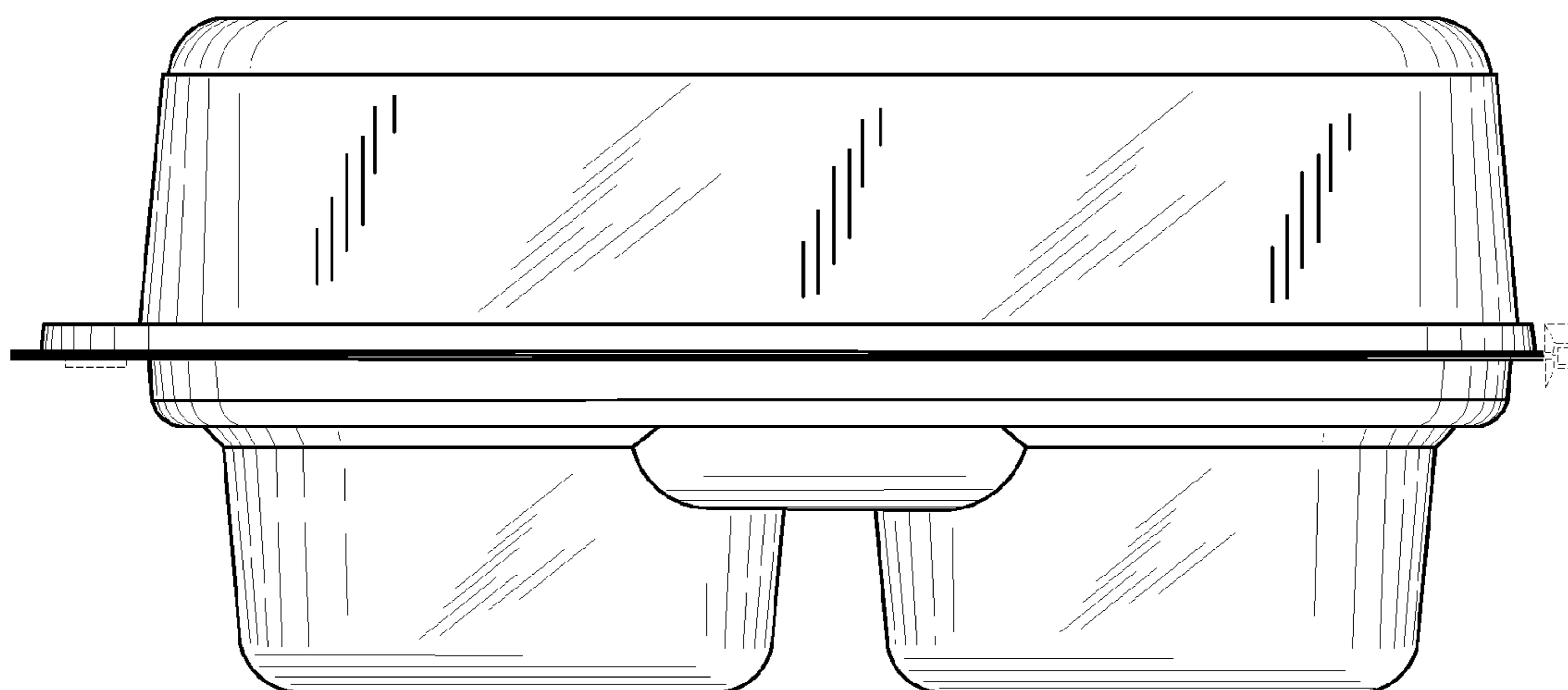


FIG. 3

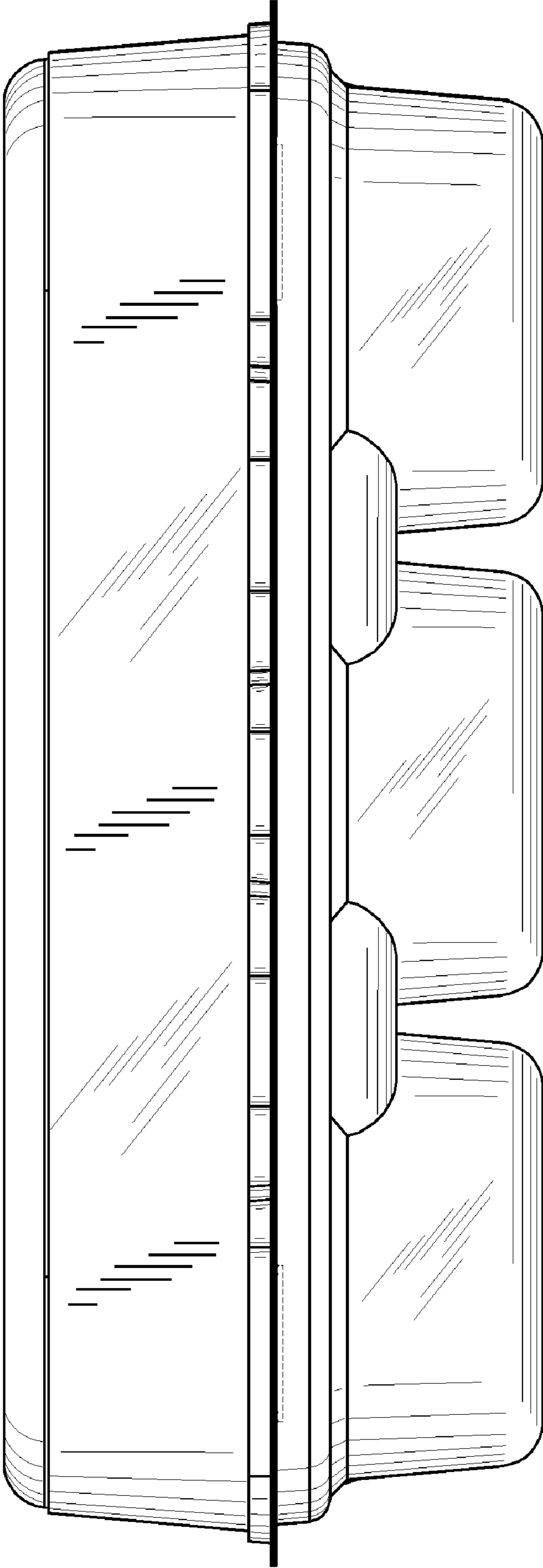


FIG. 4

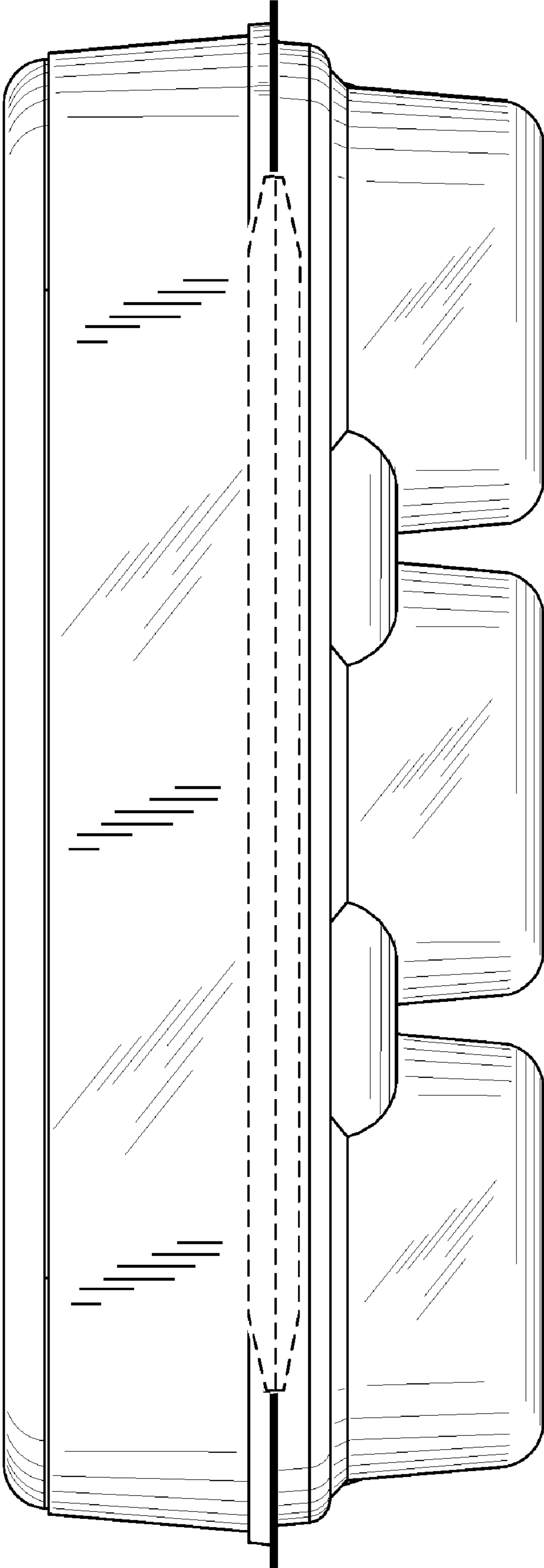


FIG. 5

FIG. 6

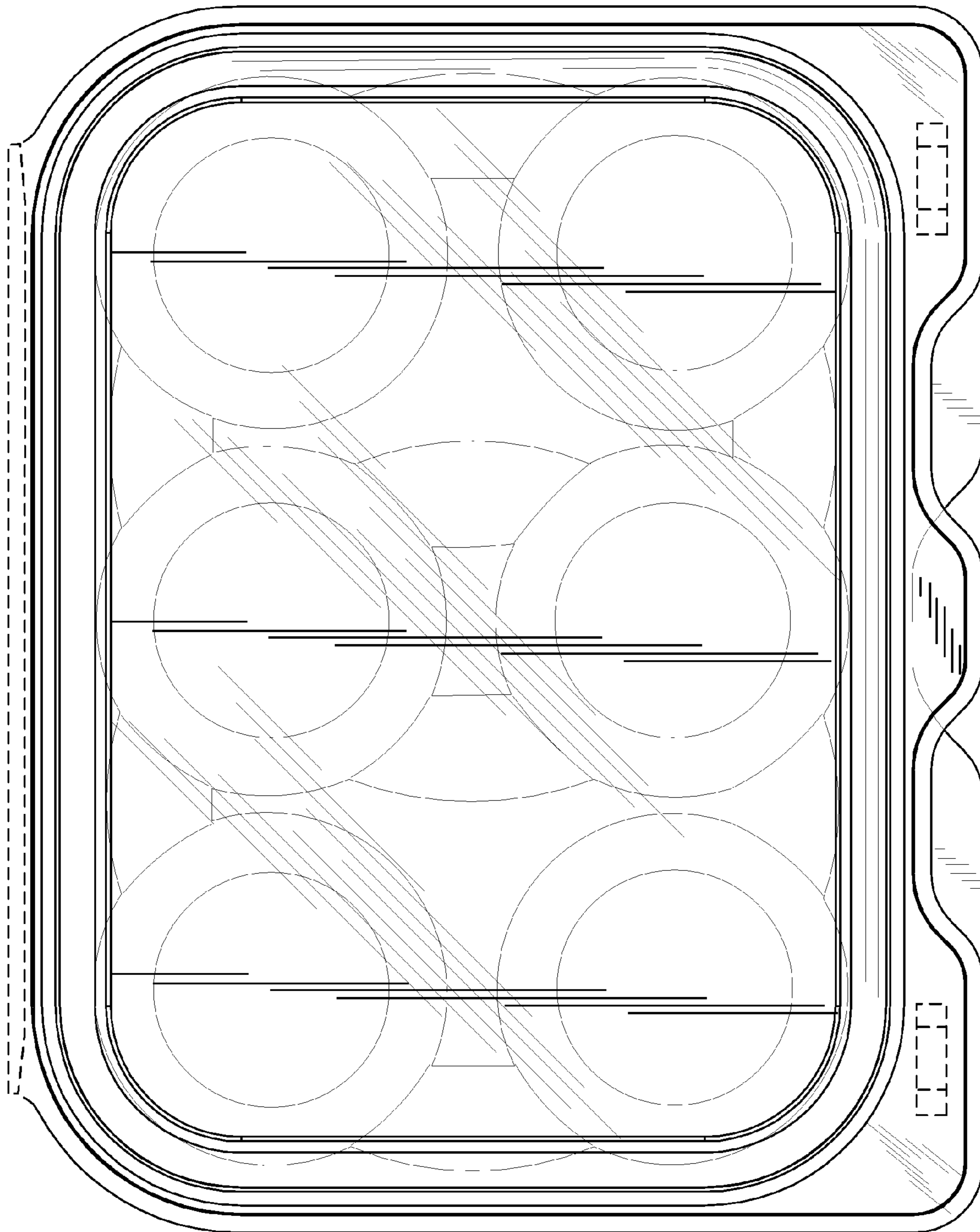


FIG. 7

