



US00D583655S

(12) **United States Design Patent**  
**Mazzocco**

(10) **Patent No.:** **US D583,655 S**  
(45) **Date of Patent:** **\*\* Dec. 30, 2008**

(54) **STRUCTURAL ASSEMBLY CONNECTOR**

D527,248 S \* 8/2006 Heindl et al. .... D8/382  
D543,841 S \* 6/2007 Heindl et al. .... D8/382  
D547,168 S \* 7/2007 Churchill ..... D8/382

(75) Inventor: **Miguel Mazzocco**, Flores da Cunha  
(BR)

\* cited by examiner

(73) Assignee: **Sitmed Equipamentos Medicas Ltda.**,  
Flores do Cunha (BR)

*Primary Examiner*—Holly H. Baynham

*Assistant Examiner*—Sheryl Friedman

(\*\*) Term: **14 Years**

(74) *Attorney, Agent, or Firm*—Thomas, Kayden,  
Horstemeyer & Risley, LLP

(21) Appl. No.: **29/284,442**

(57) **CLAIM**

(22) Filed: **Sep. 7, 2007**

The ornamental design of a structural assembly connector, as shown and described.

(30) **Foreign Application Priority Data**

Mar. 8, 2007 (BR) ..... DI 6701135

**DESCRIPTION**

(51) **LOC (8) Cl.** ..... **08-08**

FIG. 1 is a perspective view showing my new structural assembly connector;

(52) **U.S. Cl.** ..... **D8/382**

FIG. 2 is a right side elevational view thereof, the left side view thereof being a mirror image of that which is shown;

(58) **Field of Classification Search** ..... D8/382;  
403/300, 305, 388, 217; D23/262, 266, 540,  
D23/68.1

FIG. 3 is a front elevational view thereof;

See application file for complete search history.

FIG. 4 is a rear elevational view thereof;

(56) **References Cited**

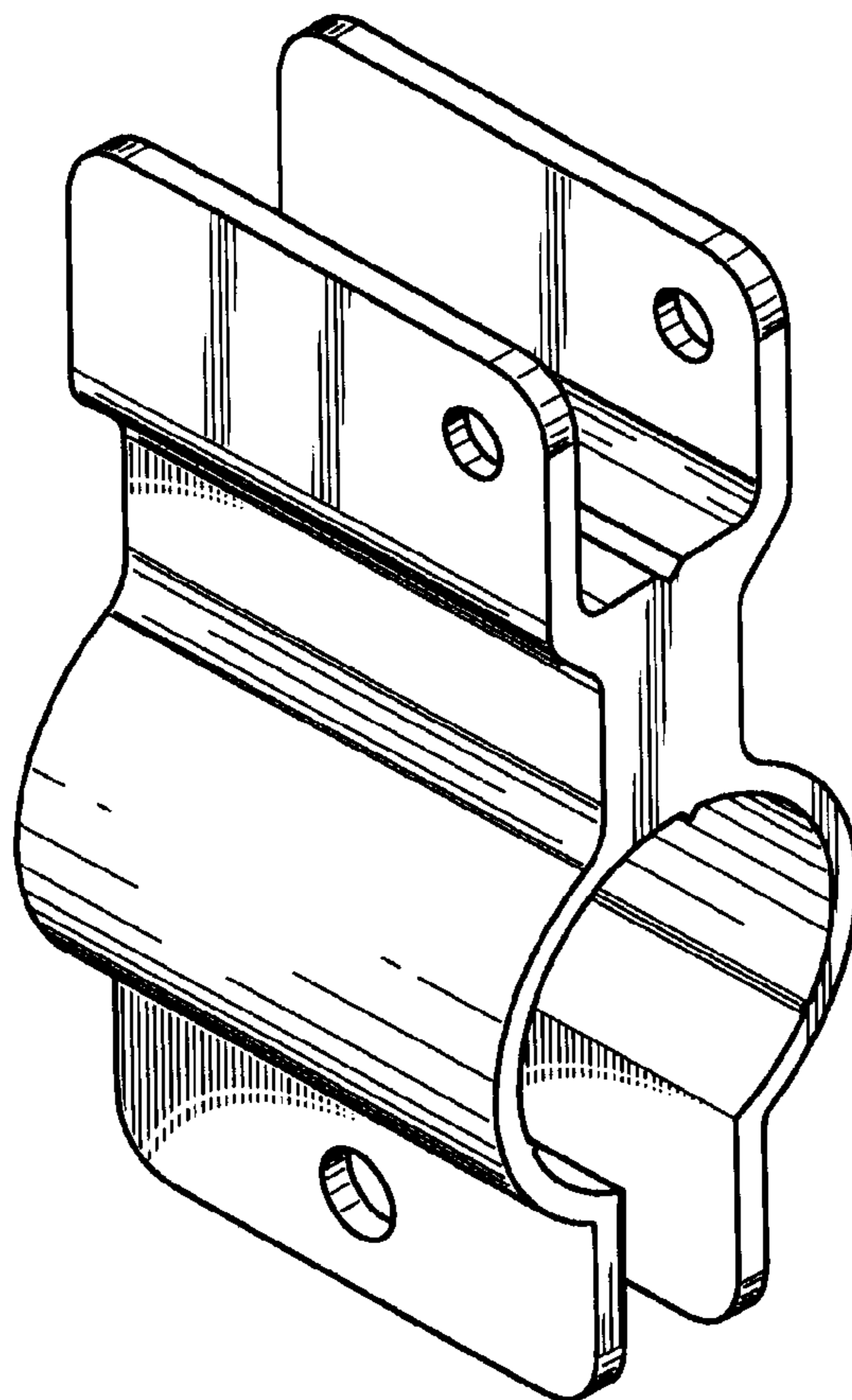
FIG. 5 is a top plan view thereof; and,

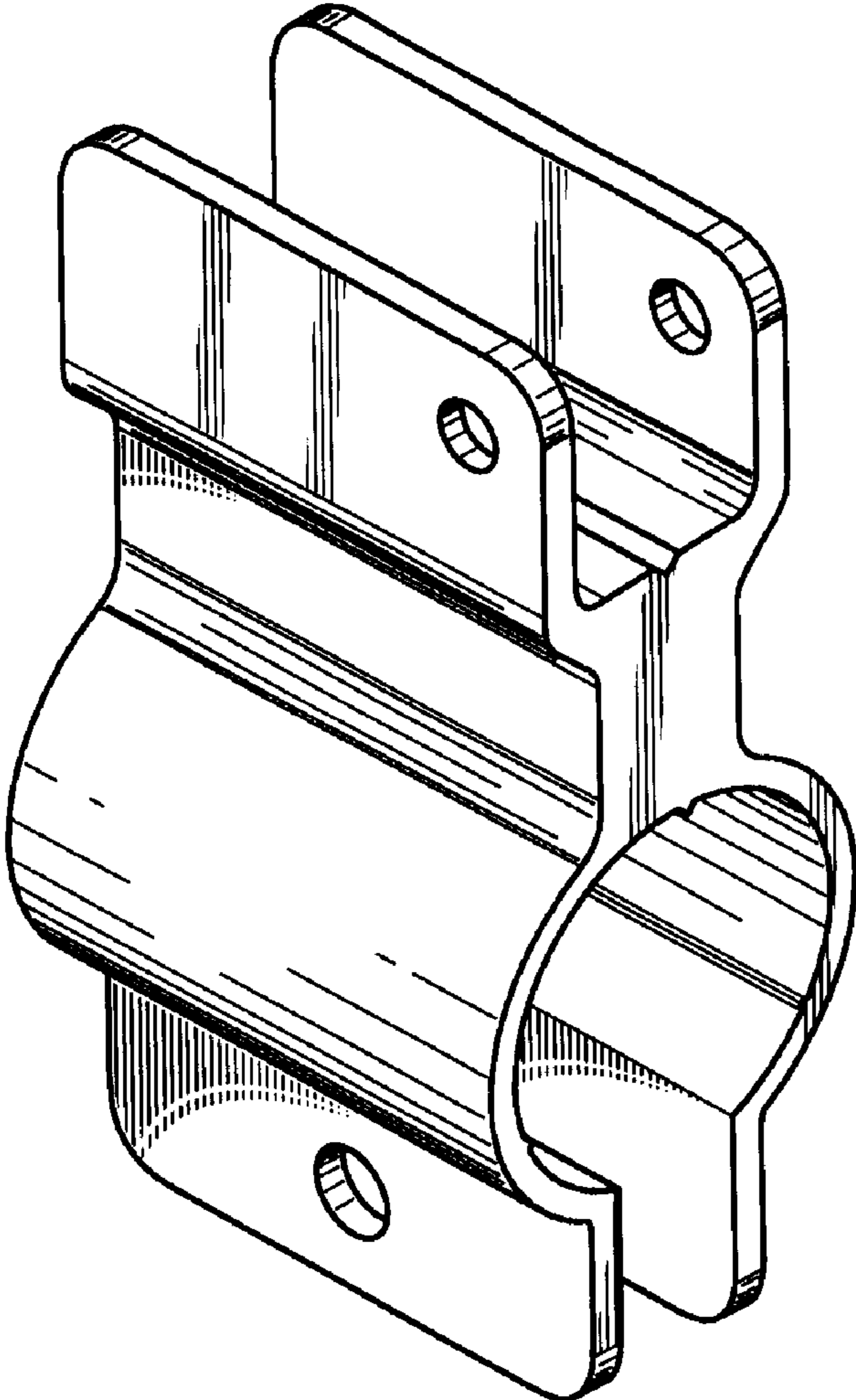
**U.S. PATENT DOCUMENTS**

FIG. 6 is a bottom plan view thereof.

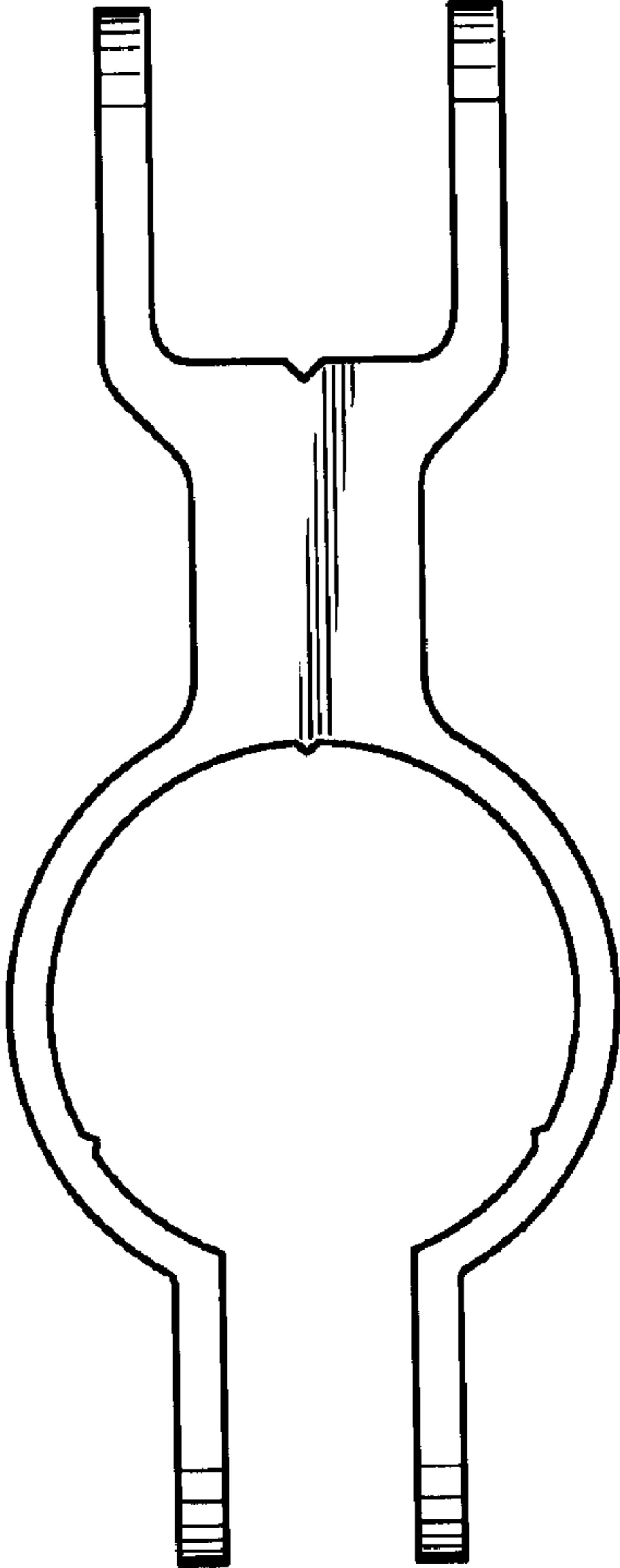
D418,396 S \* 1/2000 Hirano et al. .... D8/382

**1 Claim, 2 Drawing Sheets**

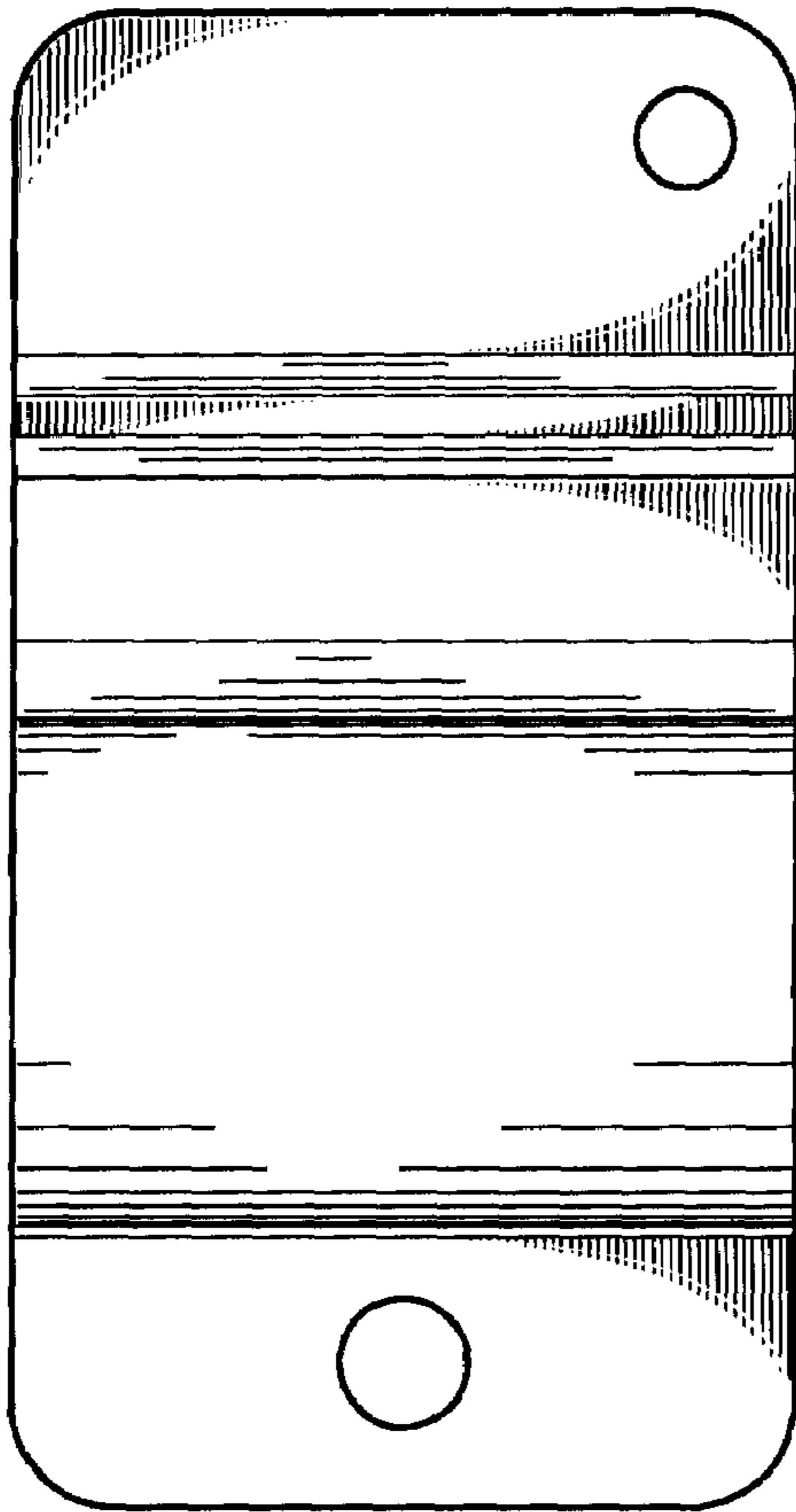




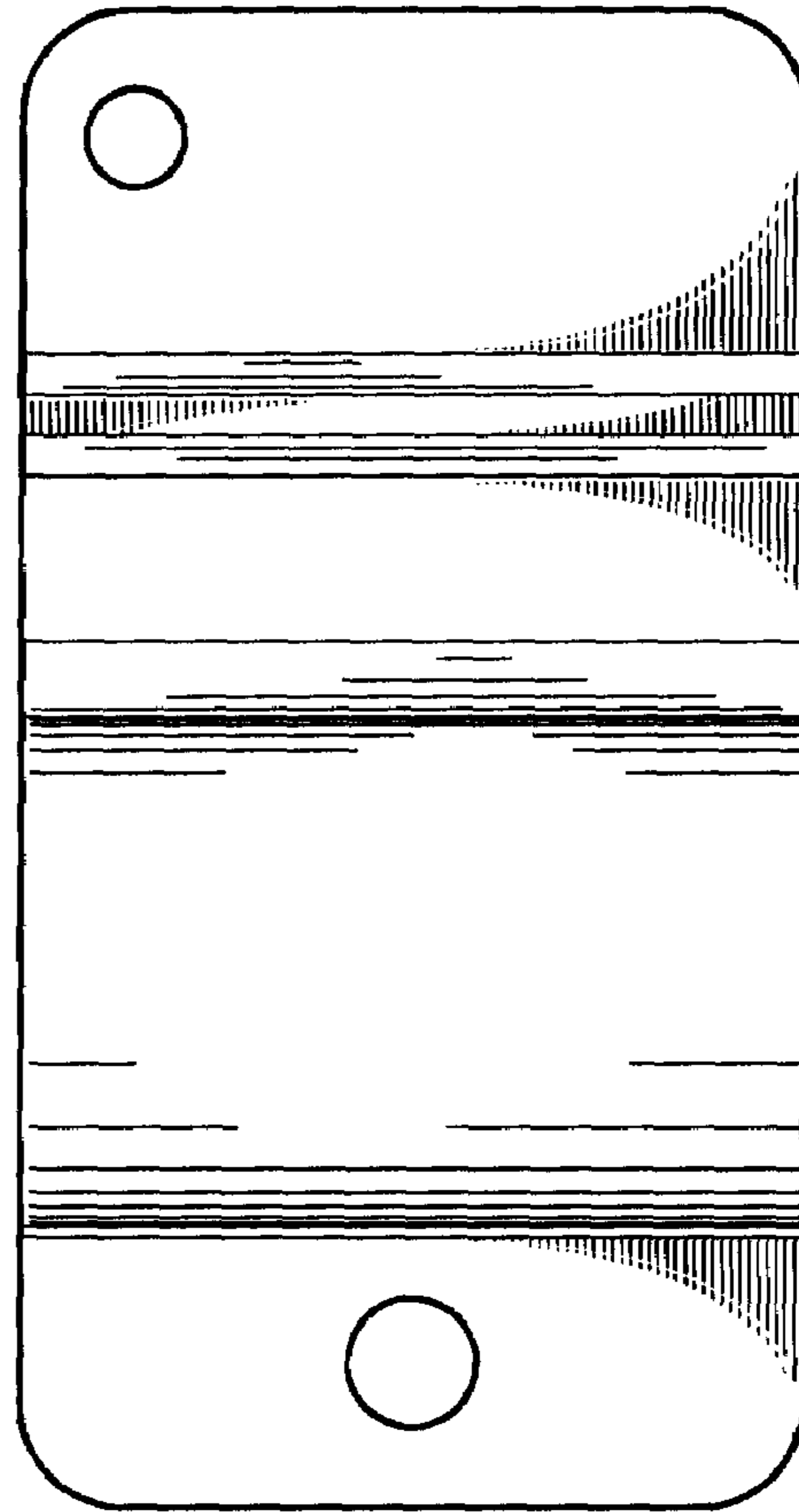
**Fig. 1**



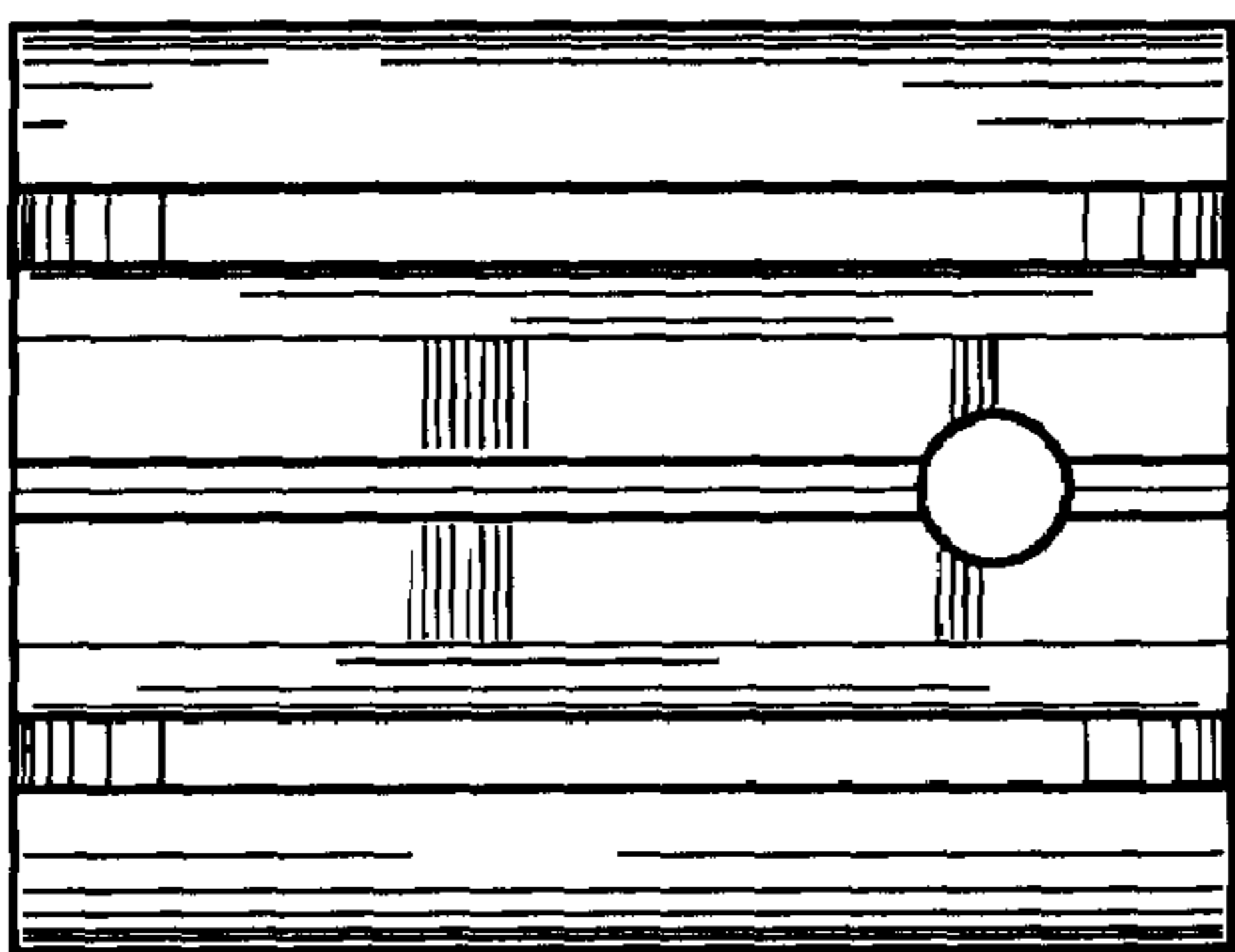
**Fig. 2**



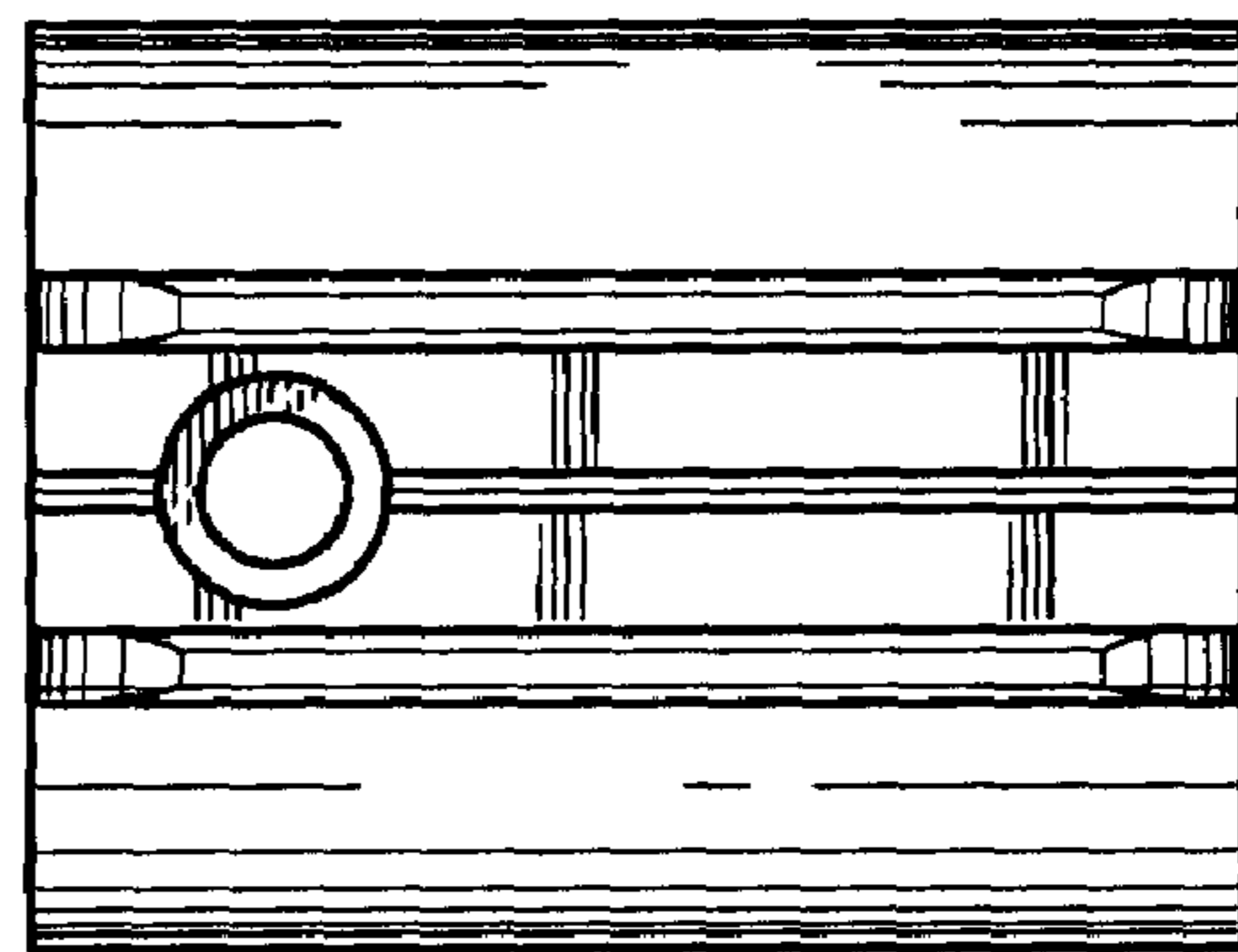
**Fig. 3**



**Fig. 4**



**Fig. 5**



**Fig. 6**