



US00D583653S

(12) **United States Design Patent**
Thompson et al.

(10) **Patent No.:** **US D583,653 S**

(45) **Date of Patent:** **** Dec. 30, 2008**

(54) **HOOK**

(75) Inventors: **Craig Thompson**, Inver Grove Heights, MN (US); **Pasquale Cirulli**, Milan (IT); **Peter J. Newbould**, Milan (IT)

(73) Assignee: **3M Innovative Properties Company**, St. Paul, MN (US)

(**) Term: **14 Years**

(21) Appl. No.: **29/275,221**

(22) Filed: **Dec. 18, 2006**

(51) **LOC (8) Cl.** **08-05**

(52) **U.S. Cl.** **D8/367**

(58) **Field of Classification Search** D8/323,
D8/324, 325, 326, 327, 328, 358, 367, 371,
D8/373; D6/323, 547, 550; 248/215, 301,
248/339; 160/349.1, 349.2; 24/265 H, 265 R,
24/599.1, 599.8, 113 R; 294/82.18; 29/525.1,
29/453; D3/24; 223/106

See application file for complete search history.

(56) **References Cited**

U.S. PATENT DOCUMENTS

3,324,501 A * 6/1967 Lydard 16/87.4 R
D442,073 S * 5/2001 Lyndon D8/367
D458,535 S * 6/2002 Henderson D8/367
D465,340 S * 11/2002 Hoernig D6/323

D469,341 S * 1/2003 Knapp D8/367
D477,150 S * 7/2003 Hoernig D6/323
D494,452 S * 8/2004 Sheldon et al. D8/367
D500,602 S * 1/2005 Solowiej D6/323
D505,613 S * 5/2005 Sato D8/367
D543,837 S * 6/2007 Newbould et al. D8/367
D554,481 S * 11/2007 Newbould et al. D8/367
D554,482 S * 11/2007 Hager et al. D8/367
D554,483 S * 11/2007 Hager et al. D8/367

* cited by examiner

Primary Examiner—Robert M Spear

Assistant Examiner—Barbara B Lohr

(74) *Attorney, Agent, or Firm*—David B. Patchett

(57) **CLAIM**

The ornamental design for a hook, as shown and described.

DESCRIPTION

FIG. 1 is a perspective view showing the new design for a hook;

FIG. 2 is a front view thereof;

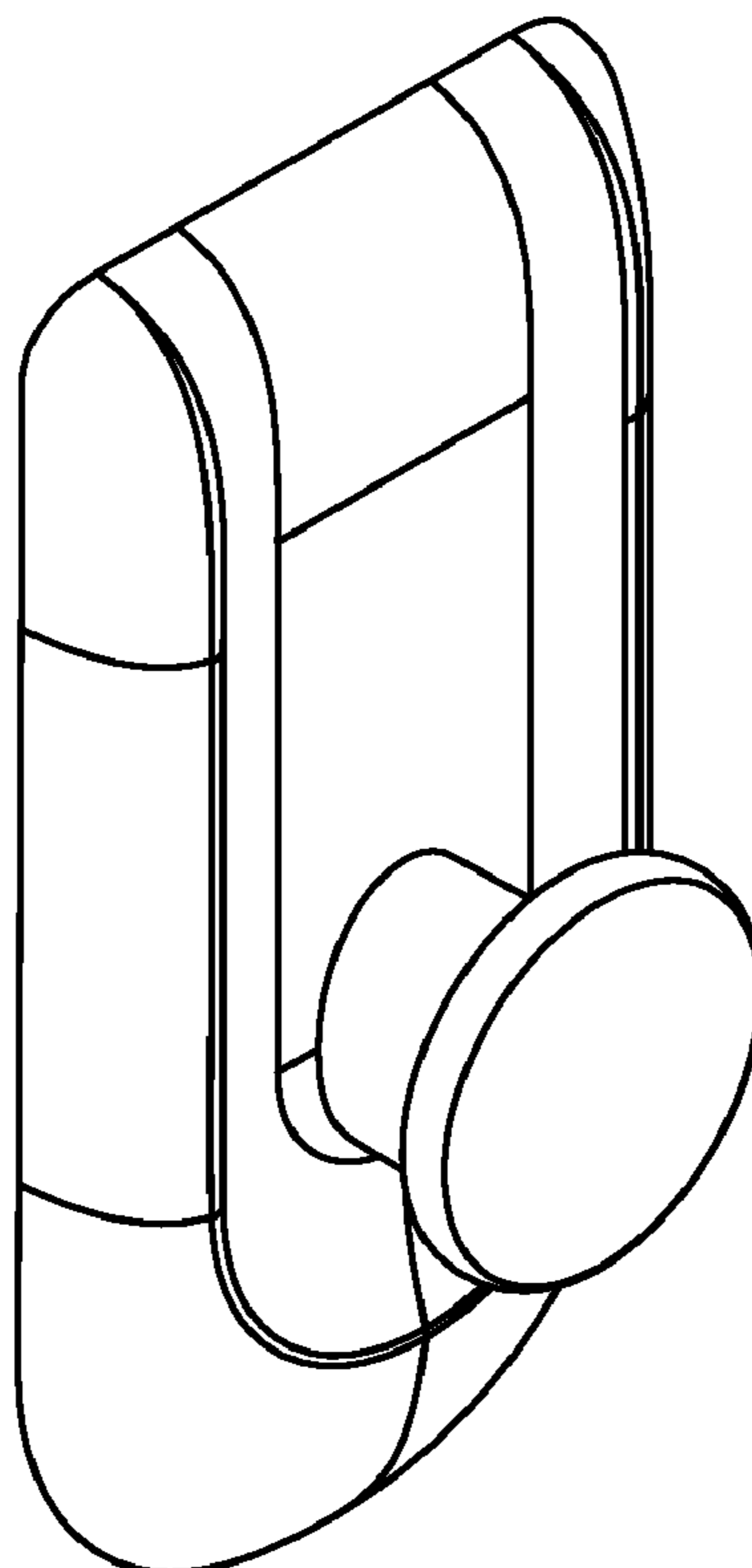
FIG. 3 is a back view thereof;

FIG. 4 is a left view thereof, the right side view being a mirror image of the left side view shown;

FIG. 5 is a top view thereof; and,

FIG. 6 is a bottom view thereof.

1 Claim, 1 Drawing Sheet



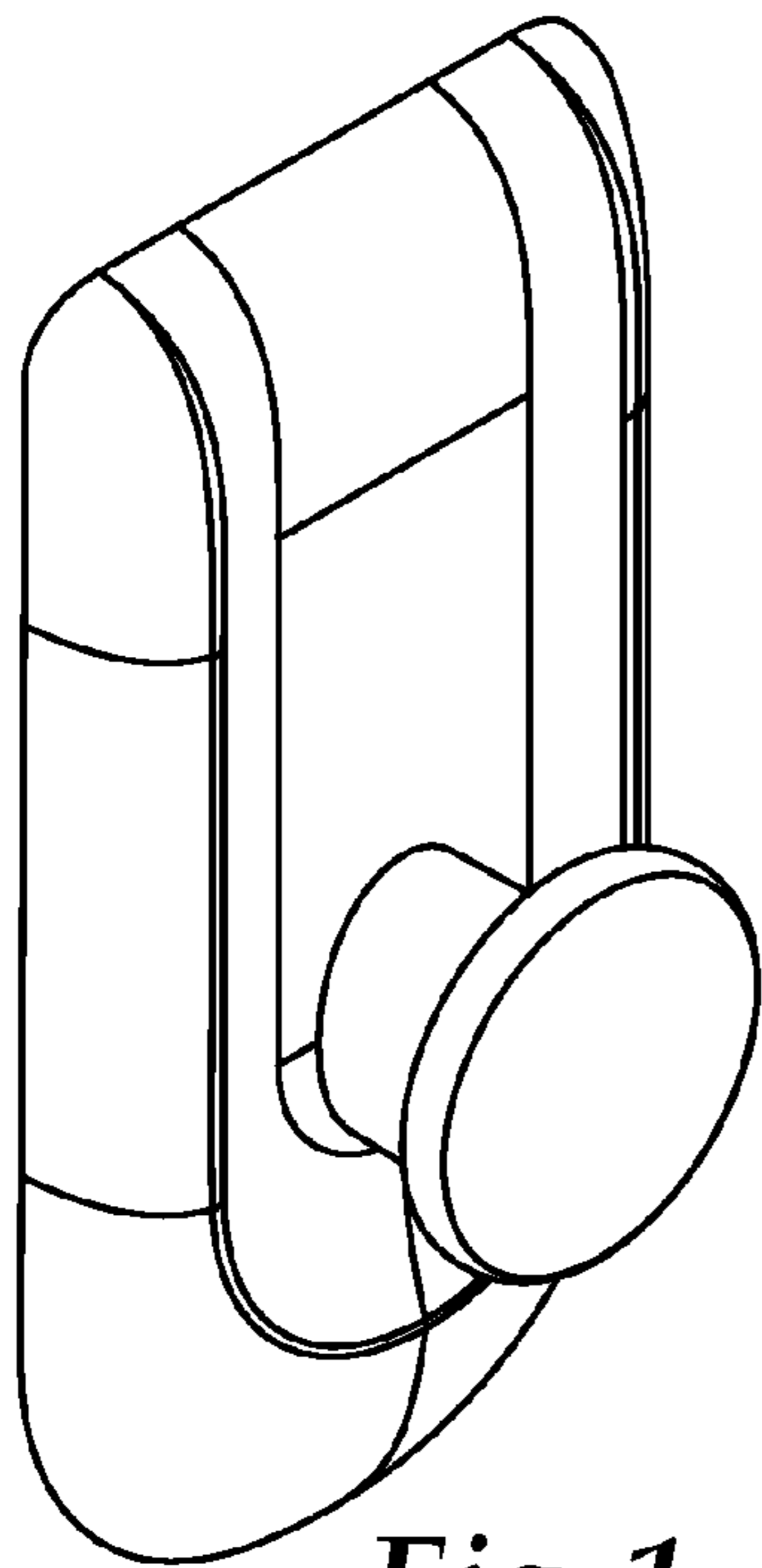


Fig. 1

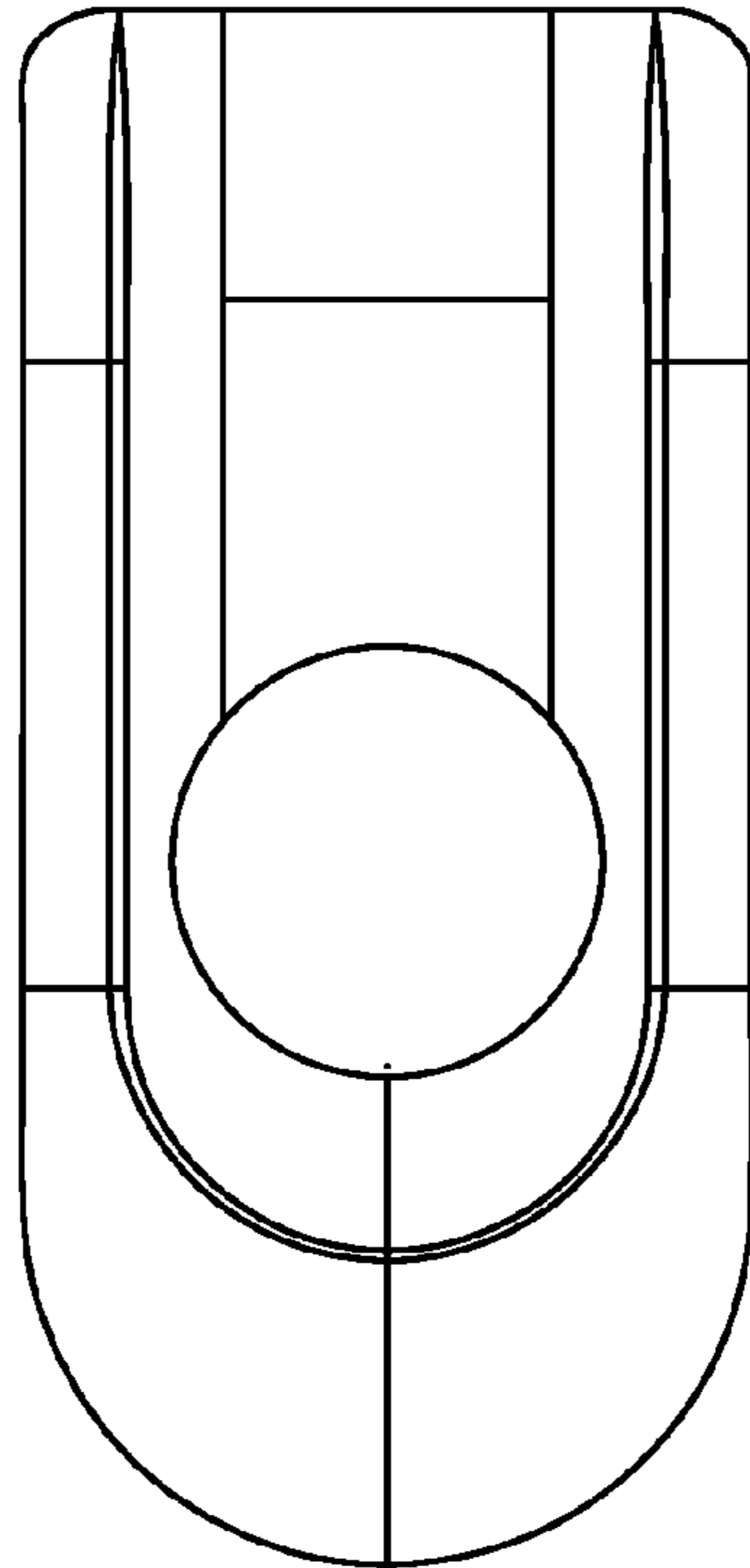


Fig. 2

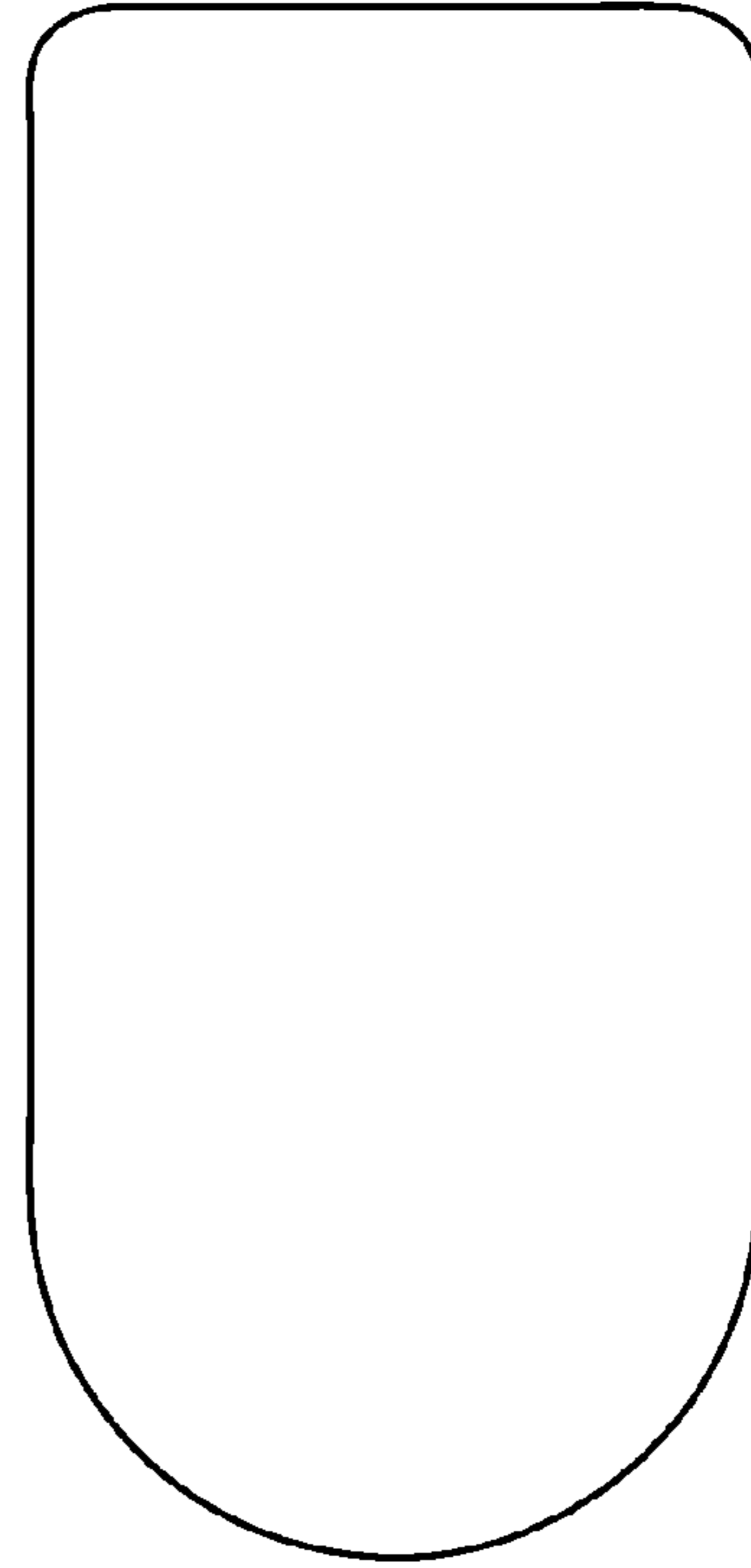


Fig. 3

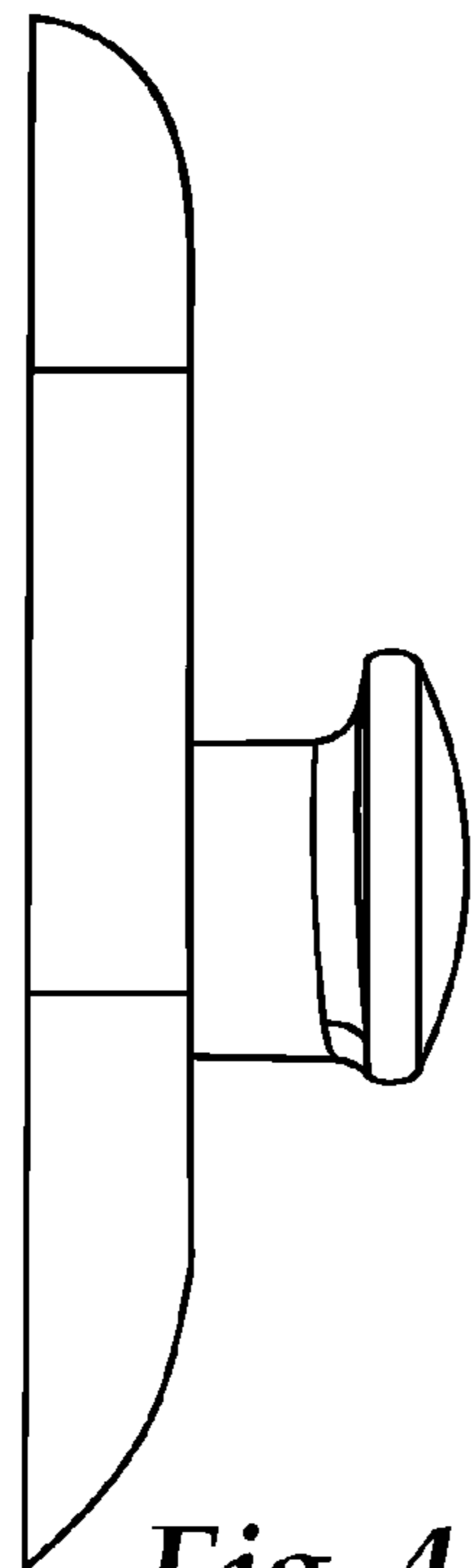


Fig. 4

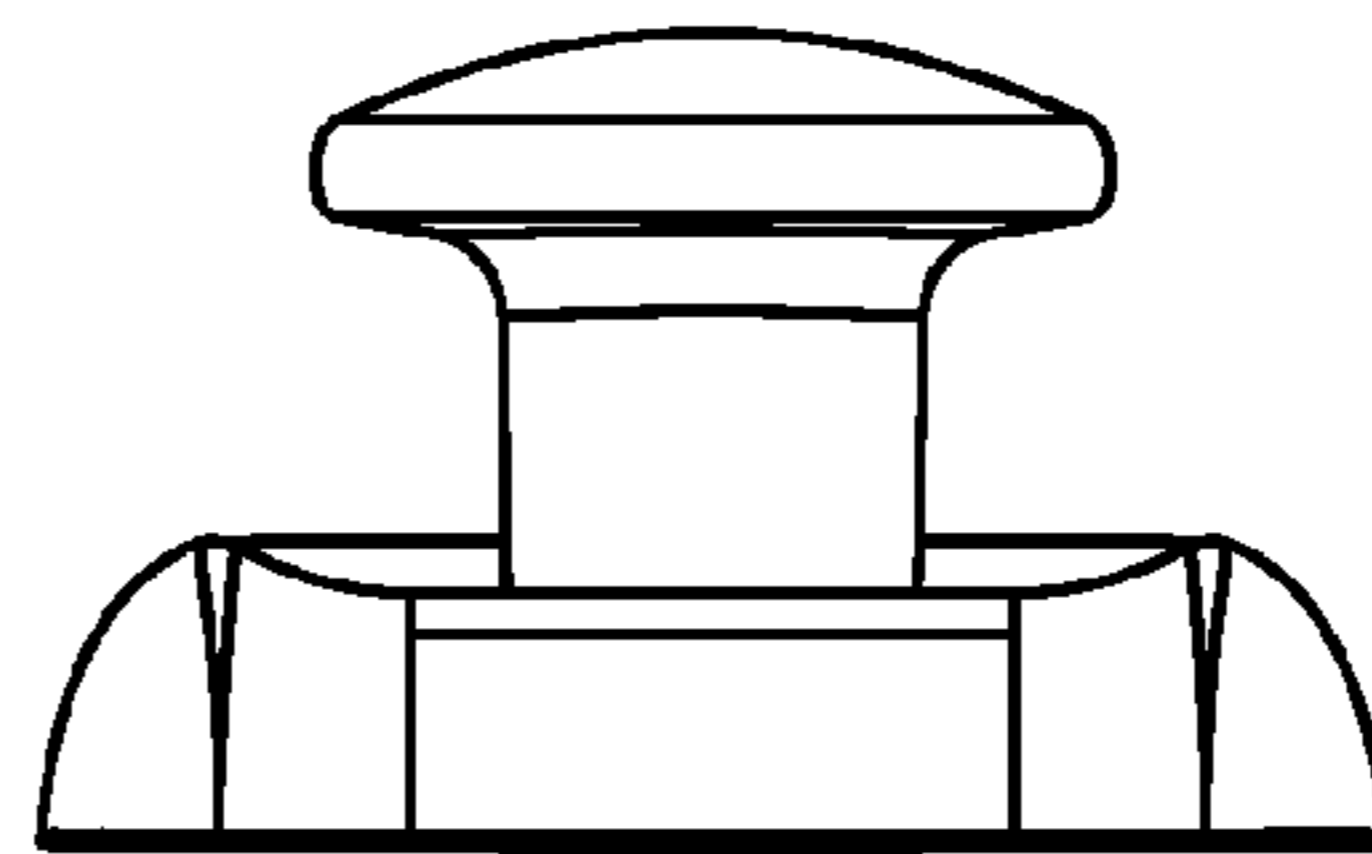


Fig. 5

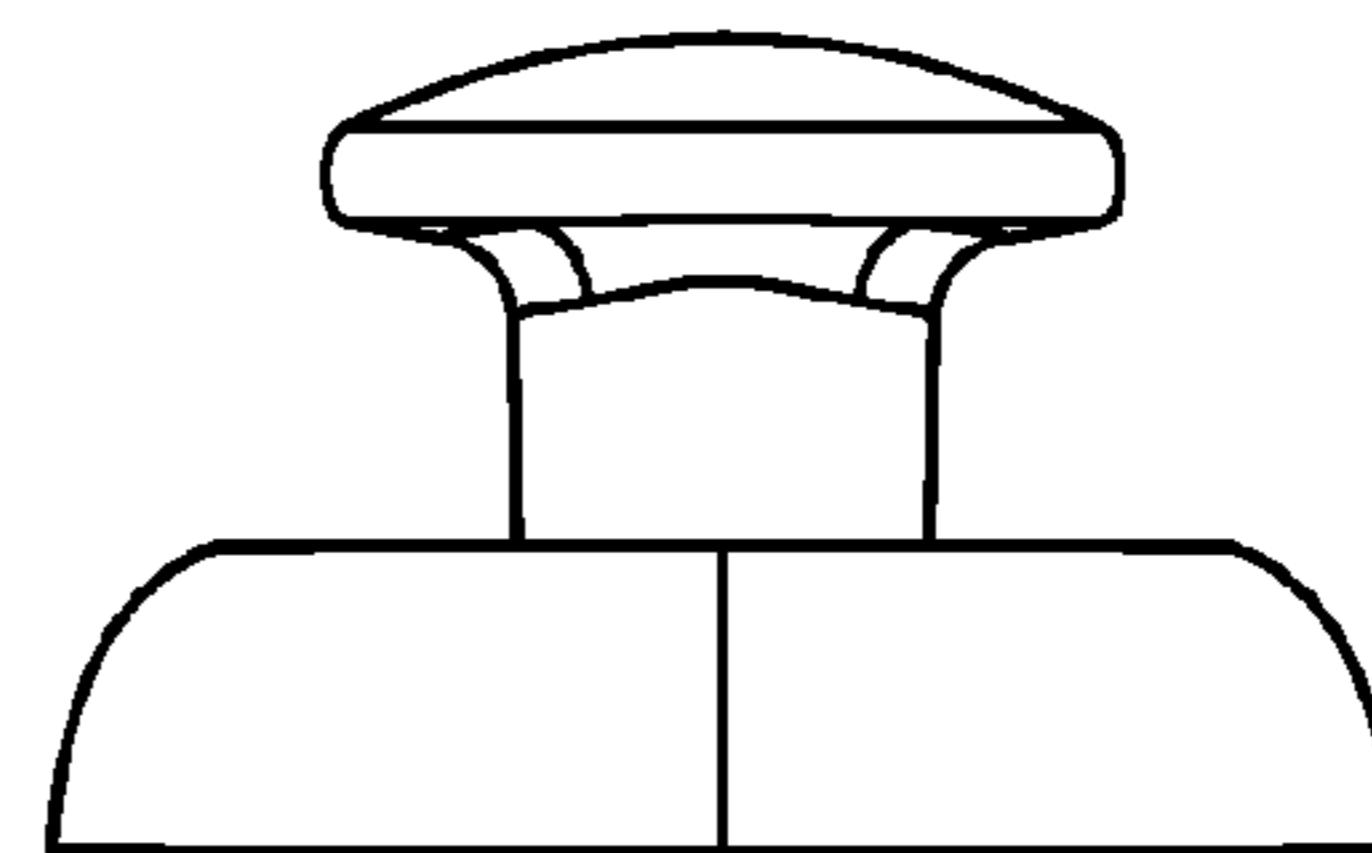


Fig. 6