



US00D583652S

(12) **United States Design Patent**
Vermesi et al.

(10) **Patent No.:** **US D583,652 S**

(45) **Date of Patent:** **** Dec. 30, 2008**

(54) **COUPLER MOUNTED BRACKET**

D566,530 S * 4/2008 Brassard D8/363
D569,381 S * 5/2008 Sculler et al. D14/452

(75) Inventors: **George Vermesi**, Somerset, NJ (US);
Michael Foxx, Hillsborough, NJ (US)

* cited by examiner

(73) Assignee: **Strato, Inc.**, Piscataway, NJ (US)

Primary Examiner—Holly H Baynham

Assistant Examiner—Cynthia M Chin

(**) Term: **14 Years**

(74) *Attorney, Agent, or Firm*—Fitzpatrick, Cella, Harper & Scinto

(21) Appl. No.: **29/299,412**

(57) **CLAIM**

(22) Filed: **Dec. 26, 2007**

The ornamental design for a coupler mounted bracket, as shown and described.

(51) **LOC (8) Cl.** **08-05**

(52) **U.S. Cl.** **D8/363**

(58) **Field of Classification Search** D8/349,
D8/354, 355, 363, 373, 382; D14/238, 451,
D14/452, 432, 448; 248/53, 126, 274.1,
248/276.1, 278.1, 279.1, 291.1, 514; 348/825,
348/827, 836, 837; 600/433

DESCRIPTION

See application file for complete search history.

FIG. 1 is a perspective view of our coupler mounted bracket design;

FIG. 2 is a rear elevation view thereof;

FIG. 3 is a right side elevation view thereof;

FIG. 4 is a front elevation view thereof;

FIG. 5 is a left side elevation view thereof;

FIG. 6 is a top plan view thereof; and,

FIG. 7 is a bottom plan view thereof.

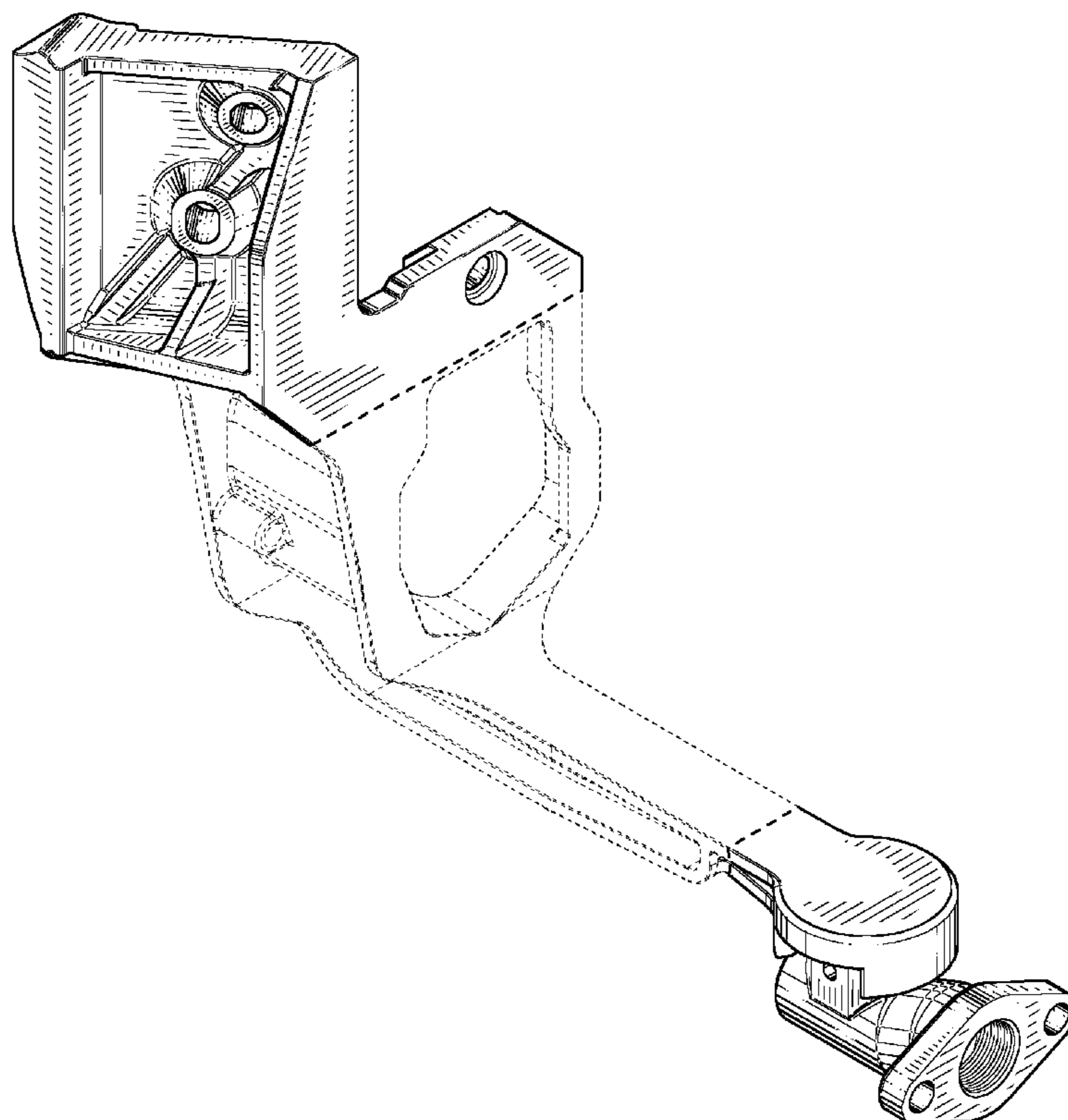
The broken lines immediately adjacent the shaded areas represent the bounds of the claim and all other broken lines represent unclaimed portions on the design. None of the broken lines form a part of the claimed design.

(56) **References Cited**

U.S. PATENT DOCUMENTS

D455,949	S	*	4/2002	Huang	D8/373
6,394,403	B1	*	5/2002	Hung	248/276.1
6,695,270	B1	*	2/2004	Smed	248/274.1
D489,599	S	*	5/2004	Lam	D8/363
D505,858	S	*	6/2005	O'Keene	D8/355
D507,477	S	*	7/2005	Pfister	D8/363
D553,957	S	*	10/2007	Brassard	D8/363
D553,959	S	*	10/2007	Brassard	D8/363

1 Claim, 6 Drawing Sheets



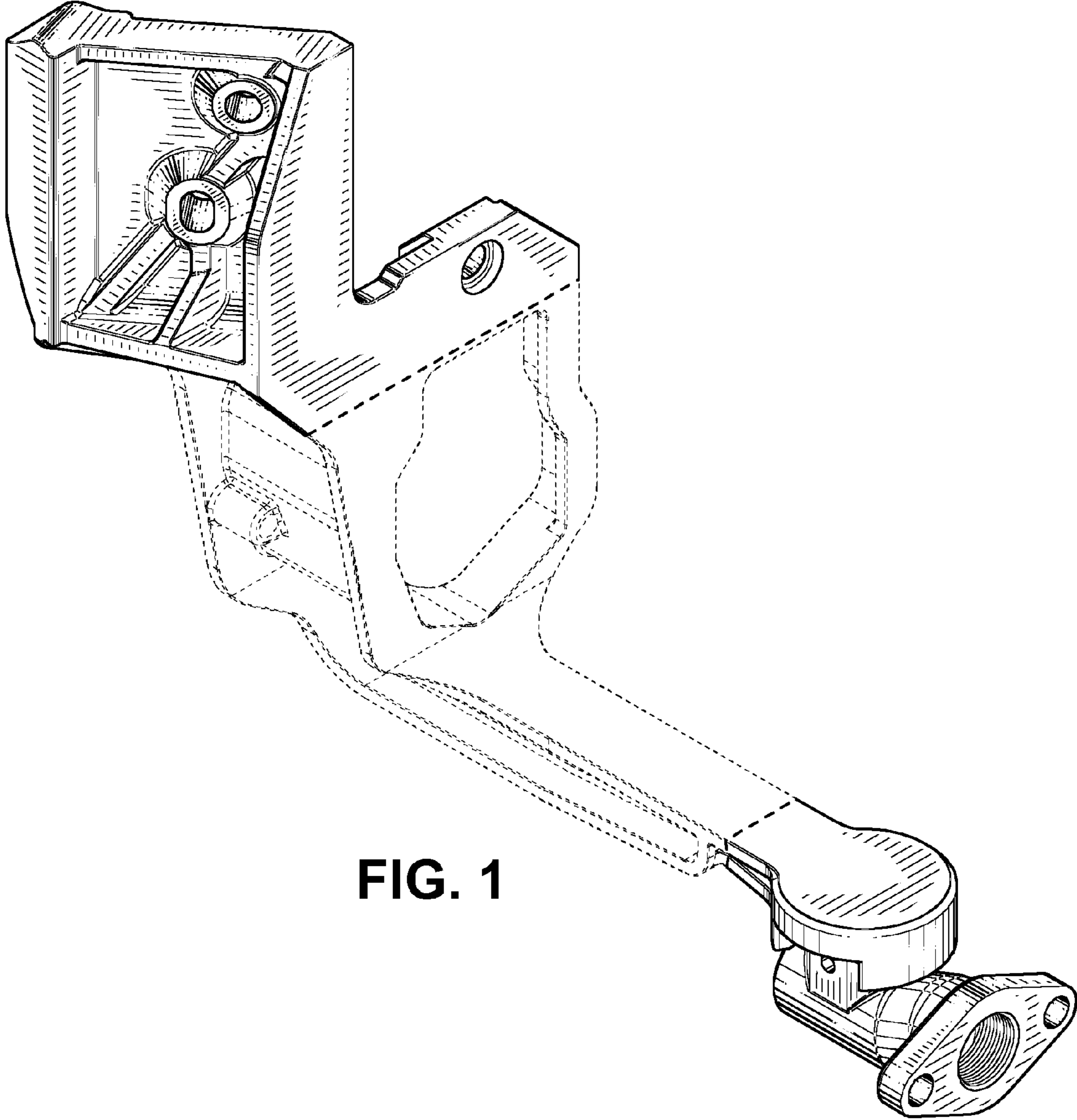


FIG. 1

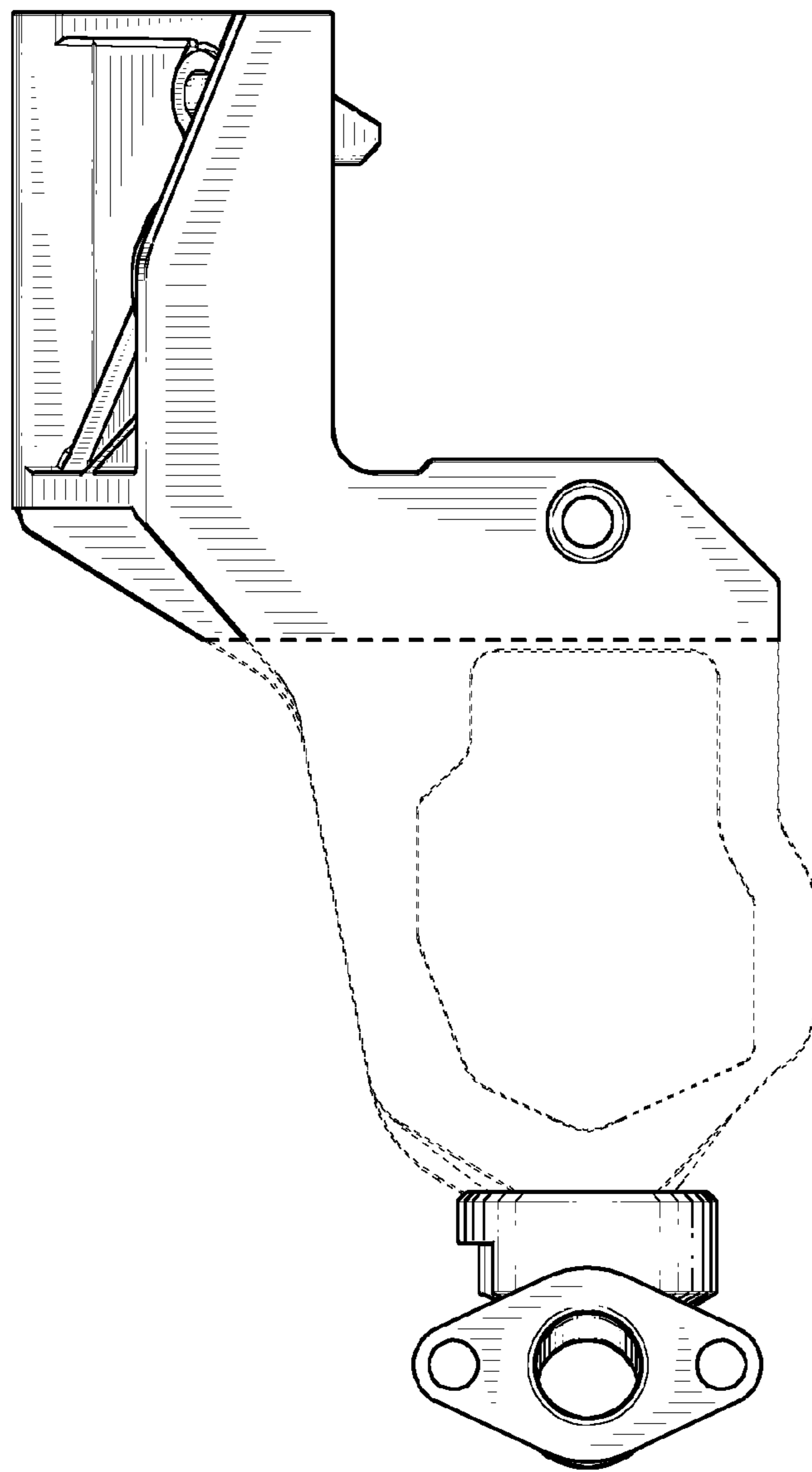


FIG. 2

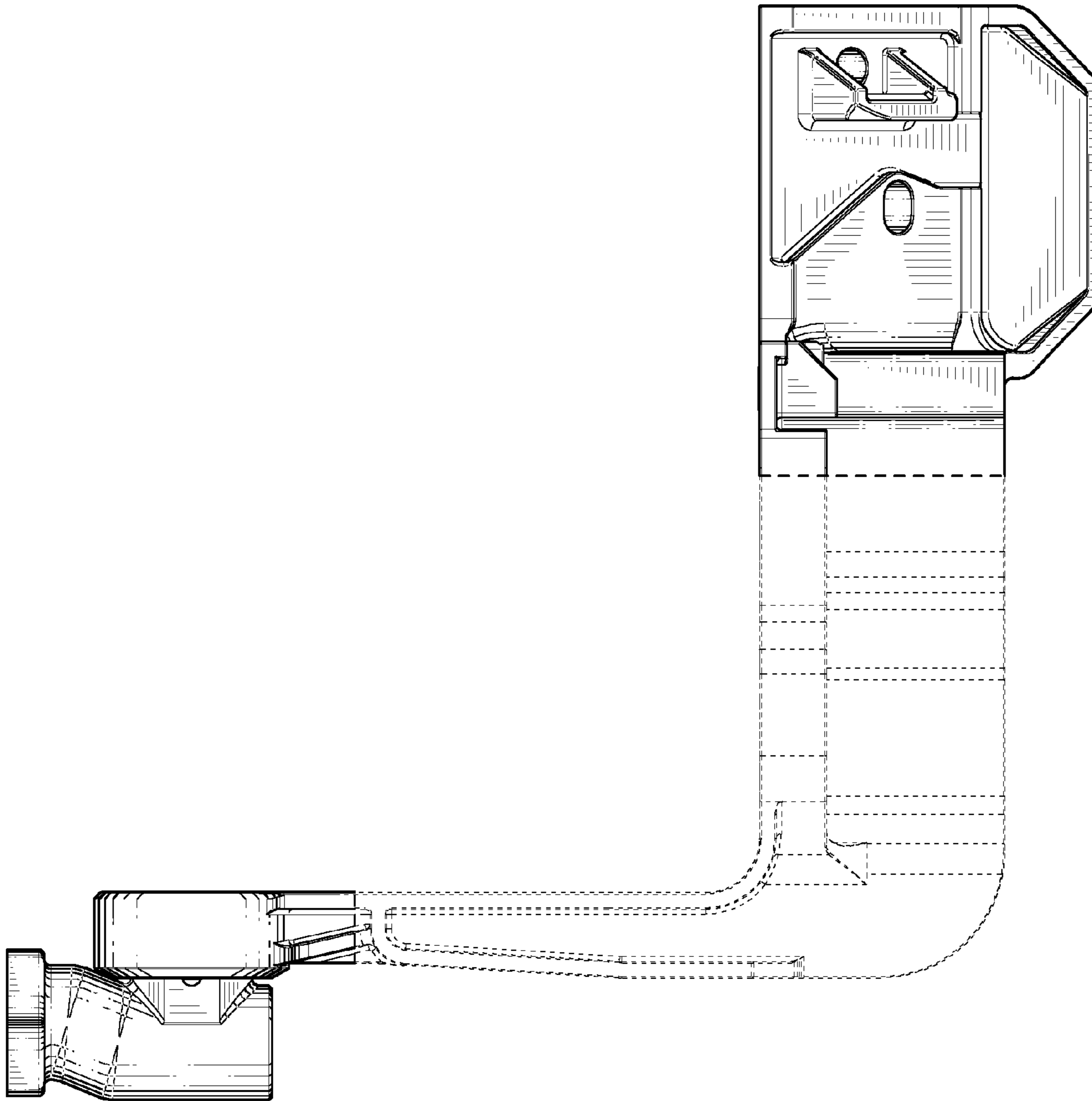


FIG. 3

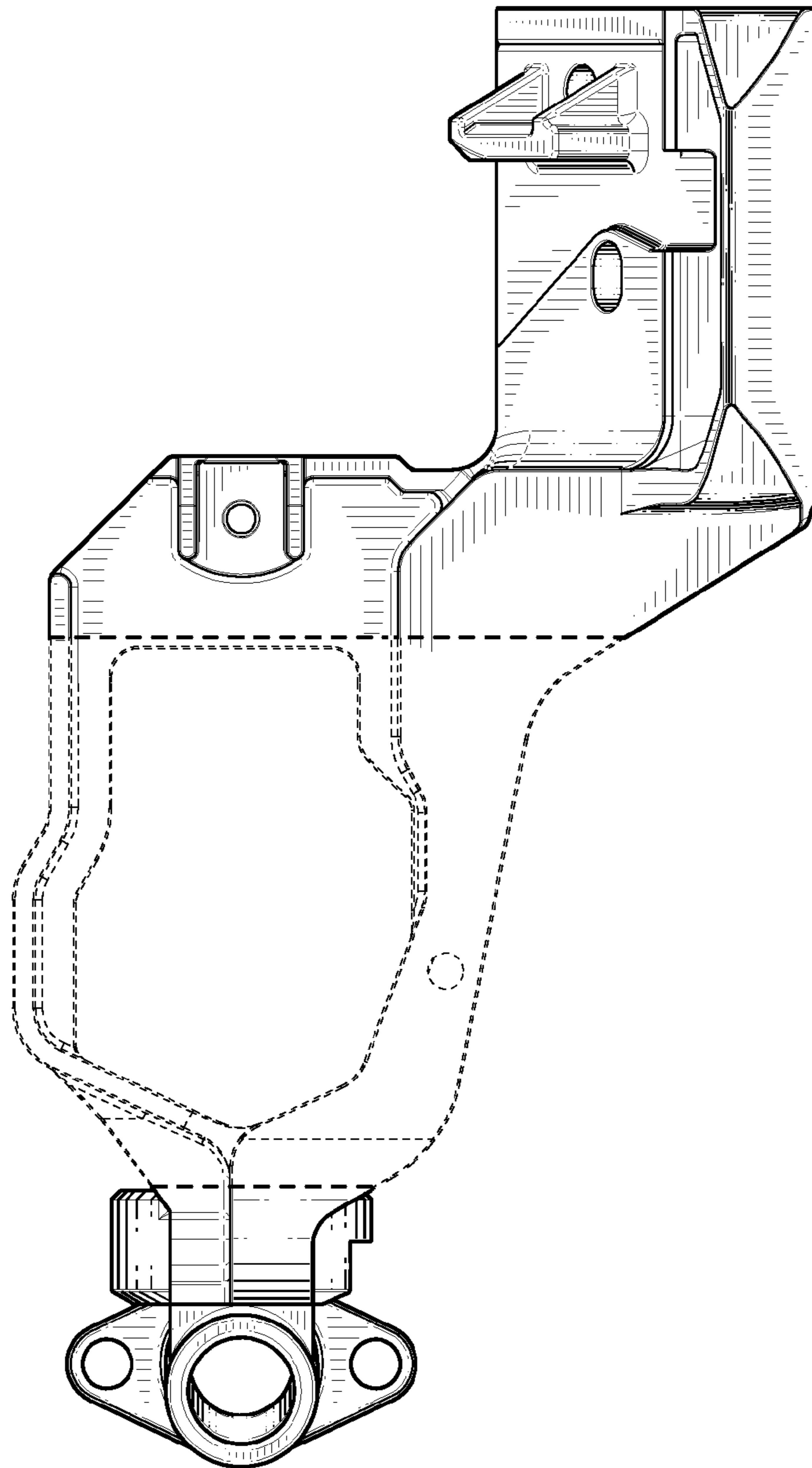


FIG. 4

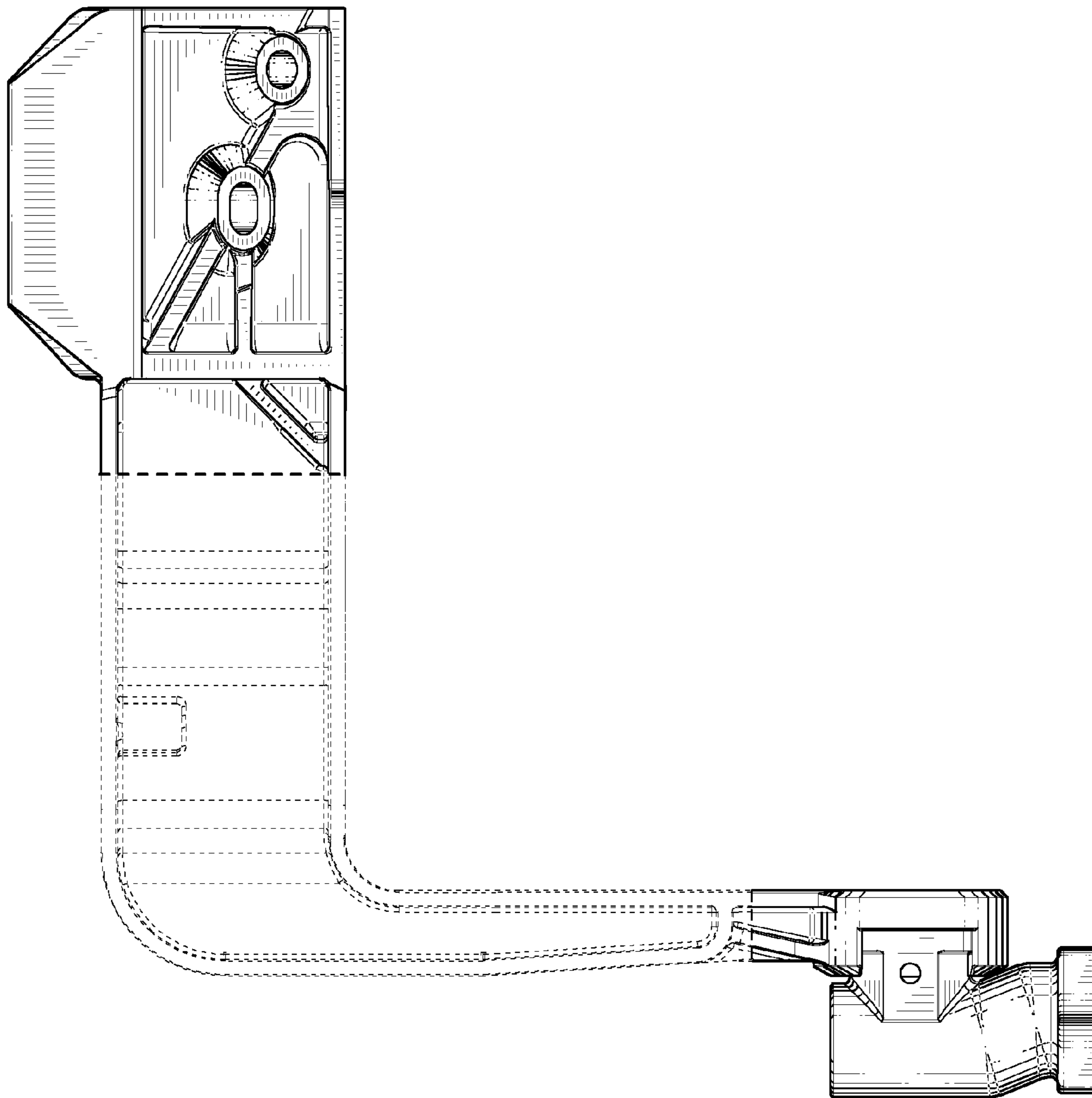


FIG. 5

