



US00D583651S

(12) **United States Design Patent**
Kawazoe

(10) **Patent No.:** **US D583,651 S**

(45) **Date of Patent:** **** Dec. 30, 2008**

(54) **CABLE DRUM**

(75) Inventor: **Hiroyuki Kawazoe**, Ono (JP)

(73) Assignee: **Tokusen Engineering Co., Ltd.**,
Ono-shi (JP)

(**) Term: **14 Years**

(21) Appl. No.: **29/291,680**

(22) Filed: **Sep. 7, 2007**

(30) **Foreign Application Priority Data**

Mar. 8, 2007 (DE) 4 07 01 402

(51) **LOC (8) Cl.** **08-05**

(52) **U.S. Cl.** **D8/358**

(58) **Field of Classification Search** D8/359,
D8/358; D23/261; D22/140, 137; D12/501,
D12/207, 204; 242/614, 613, 613.4, 609,
242/609.1, 608, 608.2, 606, 605, 405.2, 118,
242/118.1, 118.61, 606.4, 407; 137/360
See application file for complete search history.

(56) **References Cited**

U.S. PATENT DOCUMENTS

1,811,517 A	6/1931	Mossberg	
1,815,499 A	7/1931	Decombe	
1,816,651 A	7/1931	Mossberg	
2,229,722 A	1/1941	Bureau	
2,250,563 A	7/1941	Atwood	
2,411,937 A	12/1946	Powell	
2,494,522 A	1/1950	Schaefer	
D215,646 S	10/1969	Anderson	
3,958,775 A *	5/1976	Liga D8/358
3,970,267 A	7/1976	Sheetz	
D317,746 S *	6/1991	Carter, III D12/204
5,460,333 A	10/1995	Vanhuyse	

5,474,254 A	12/1995	Faulkner	
5,605,305 A *	2/1997	Picton 242/608
D436,520 S	1/2001	Bulman	
D441,772 S	5/2001	Polzer	
6,598,825 B2	7/2003	Ripplinger	
D478,498 S	8/2003	Ito et al.	
D503,609 S *	4/2005	Robbins, III et al. D8/359
D504,806 S	5/2005	Basaran et al.	

* cited by examiner

Primary Examiner—Susan B Hattan

(74) *Attorney, Agent, or Firm*—Alleman Hall McCoy Russell & Tuttle LLP

(57) **CLAIM**

The ornamental design for a cable drum, as shown and described.

DESCRIPTION

FIG. 1 is a front view of a cable drum, according to the present invention.

FIG. 2 is a top view of the cable drum of FIG. 1.

FIG. 3 is a left side view of the cable drum of FIG. 1.

FIG. 4 is a right side view of the cable drum of FIG. 1.

FIG. 5 is a front perspective view of the cable drum of FIG. 1.

FIG. 6 is a rear perspective view of the cable drum of FIG. 1.

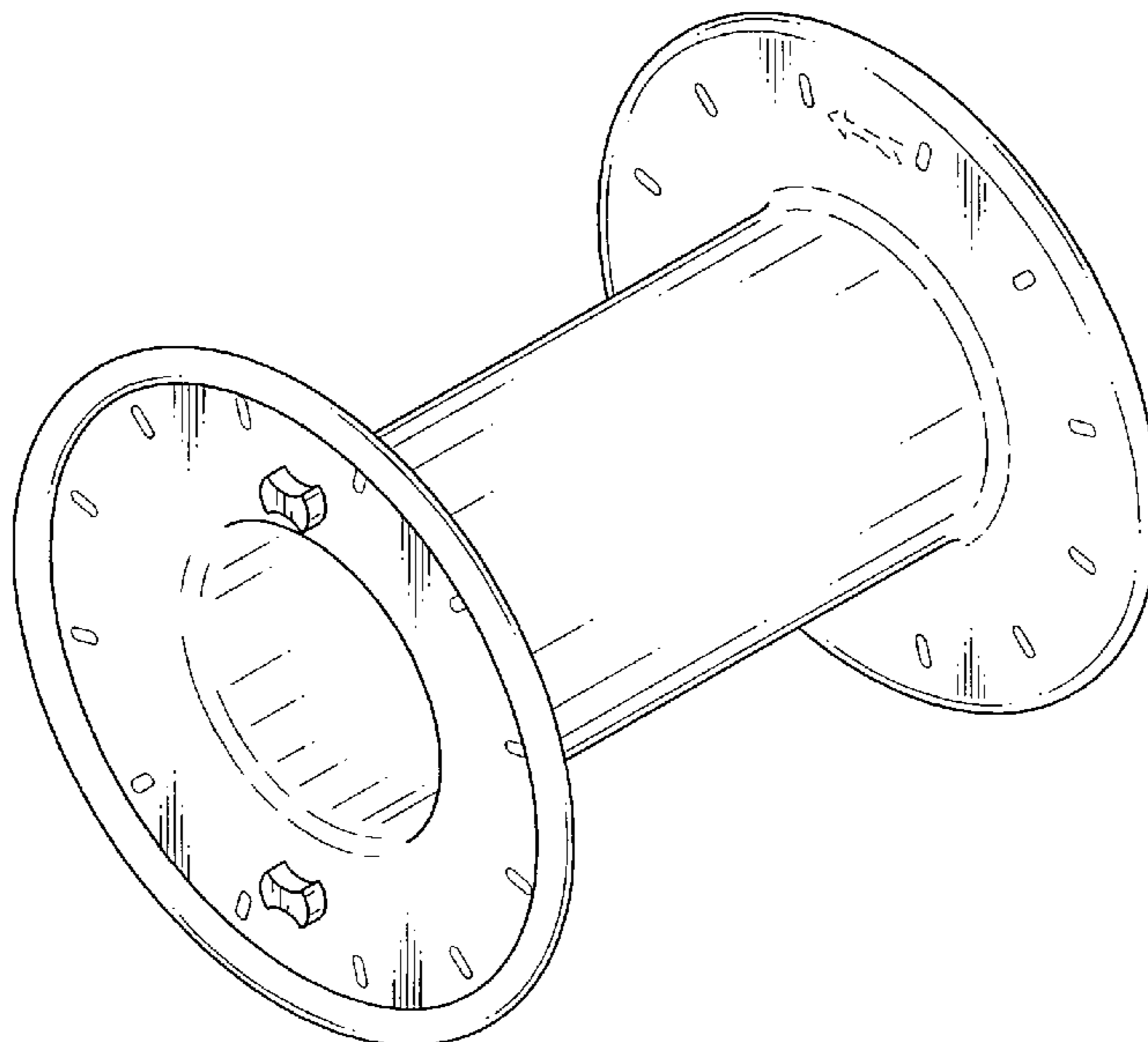
FIG. 7 is an enlarged partial view of a side of the cable drum of FIG. 1.

FIG. 8 is a cross-sectional view of the cable drum, taken in the direction of lines 8—8 in FIG. 3; and,

FIG. 9 is a partial enlargement of the cross-sectional view of FIG. 8.

The dashed lines illustrate environment and form no part of the claimed design.

1 Claim, 5 Drawing Sheets



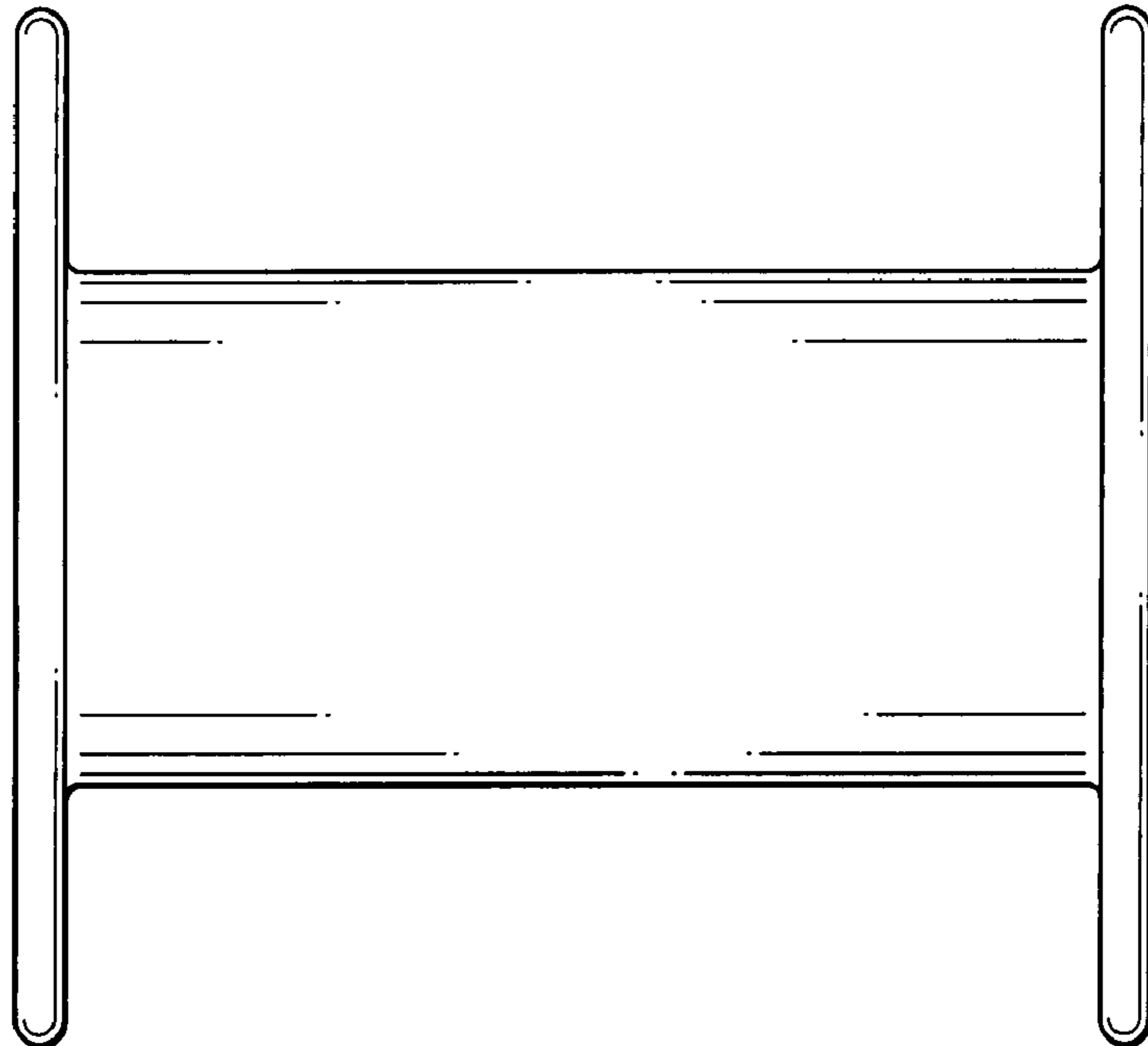


FIG. 1

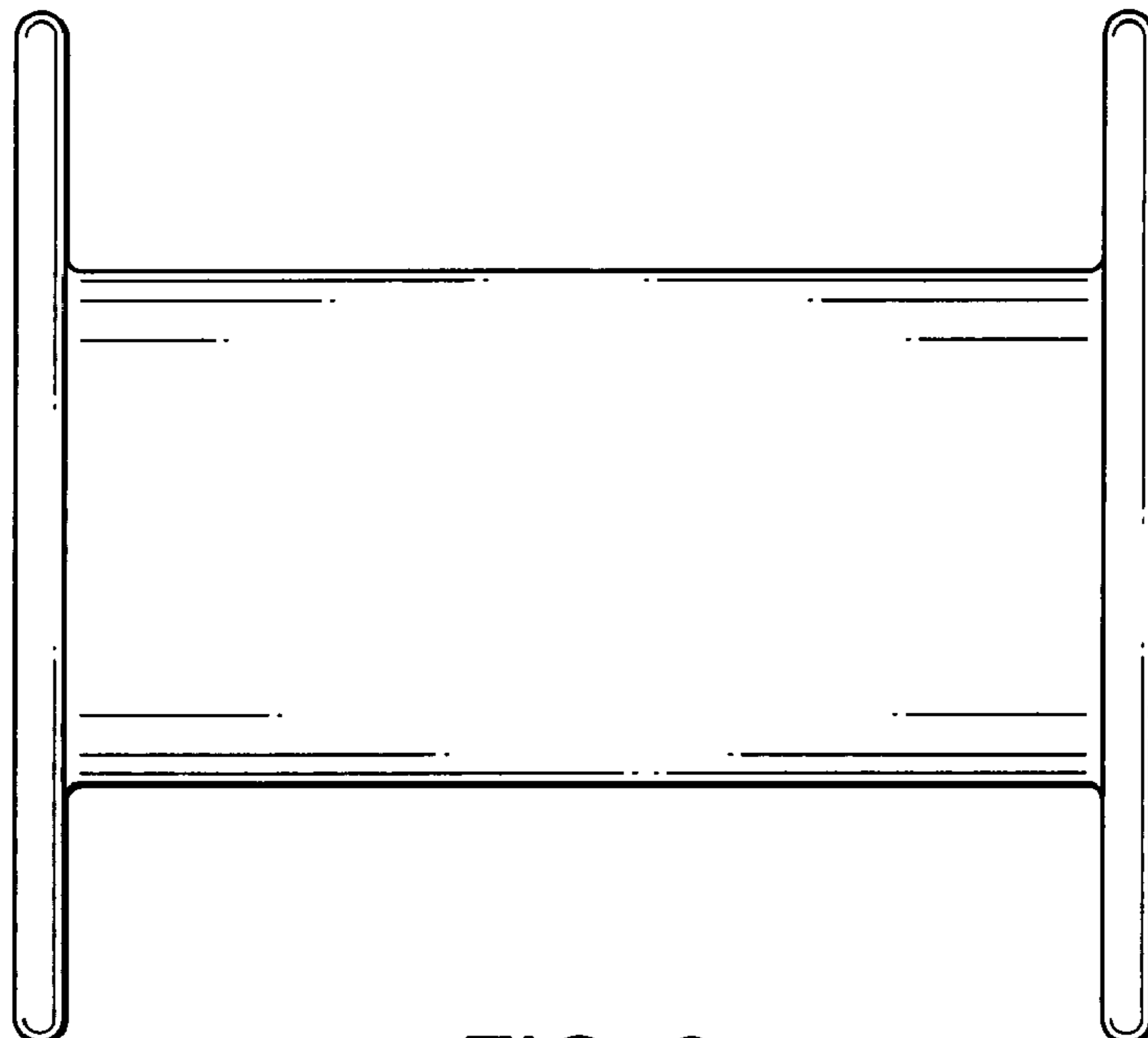


FIG. 2

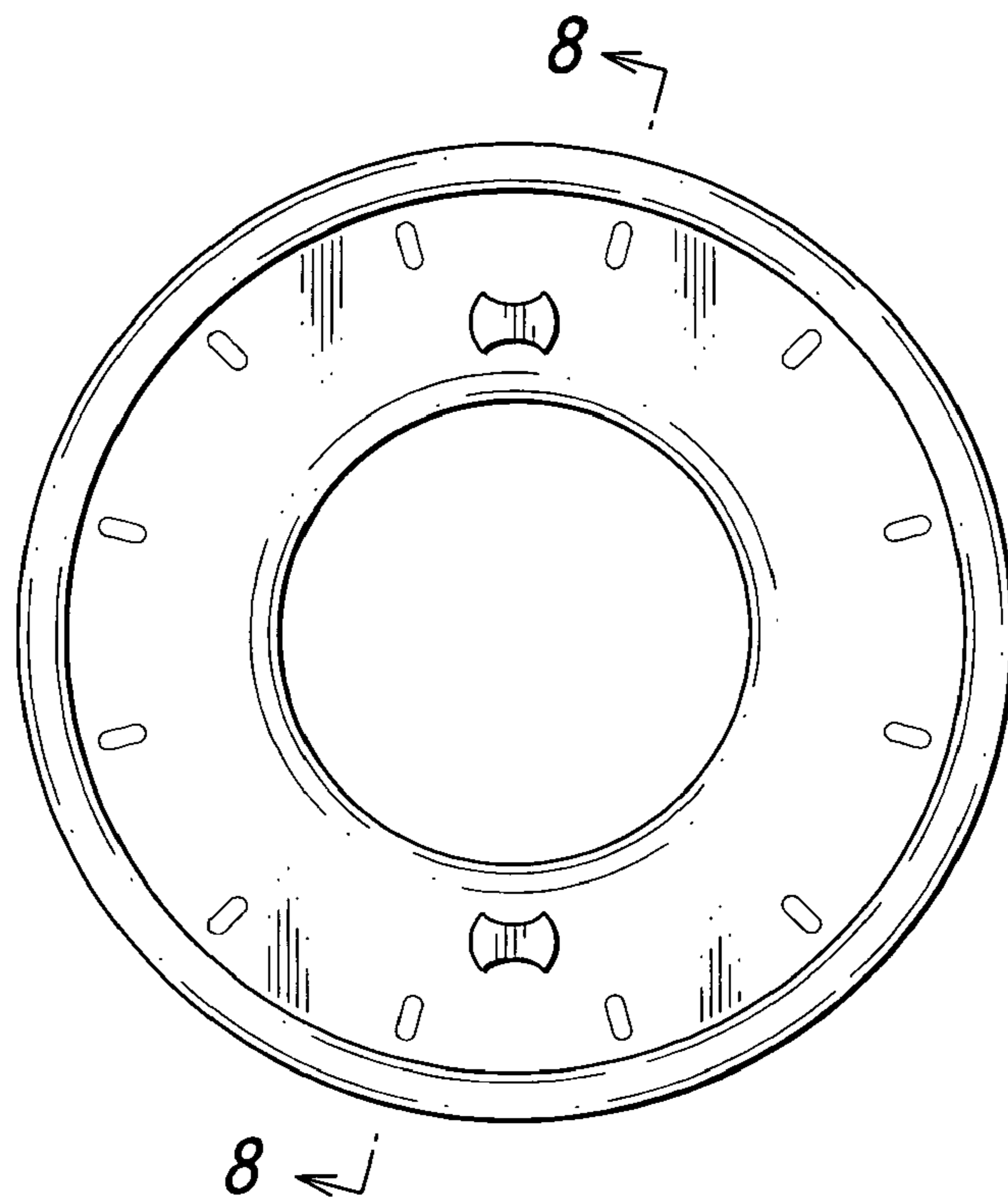


FIG. 3

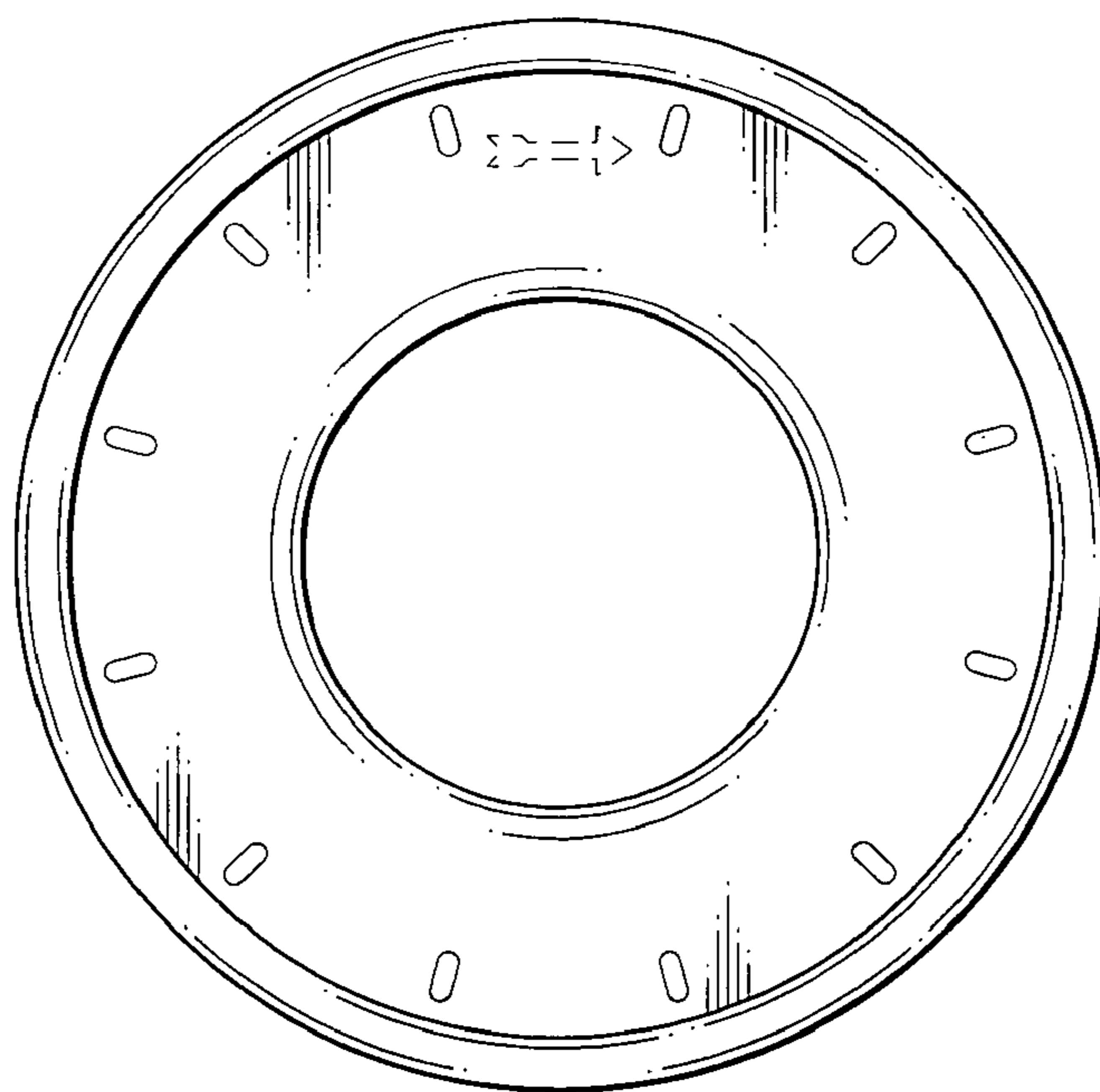
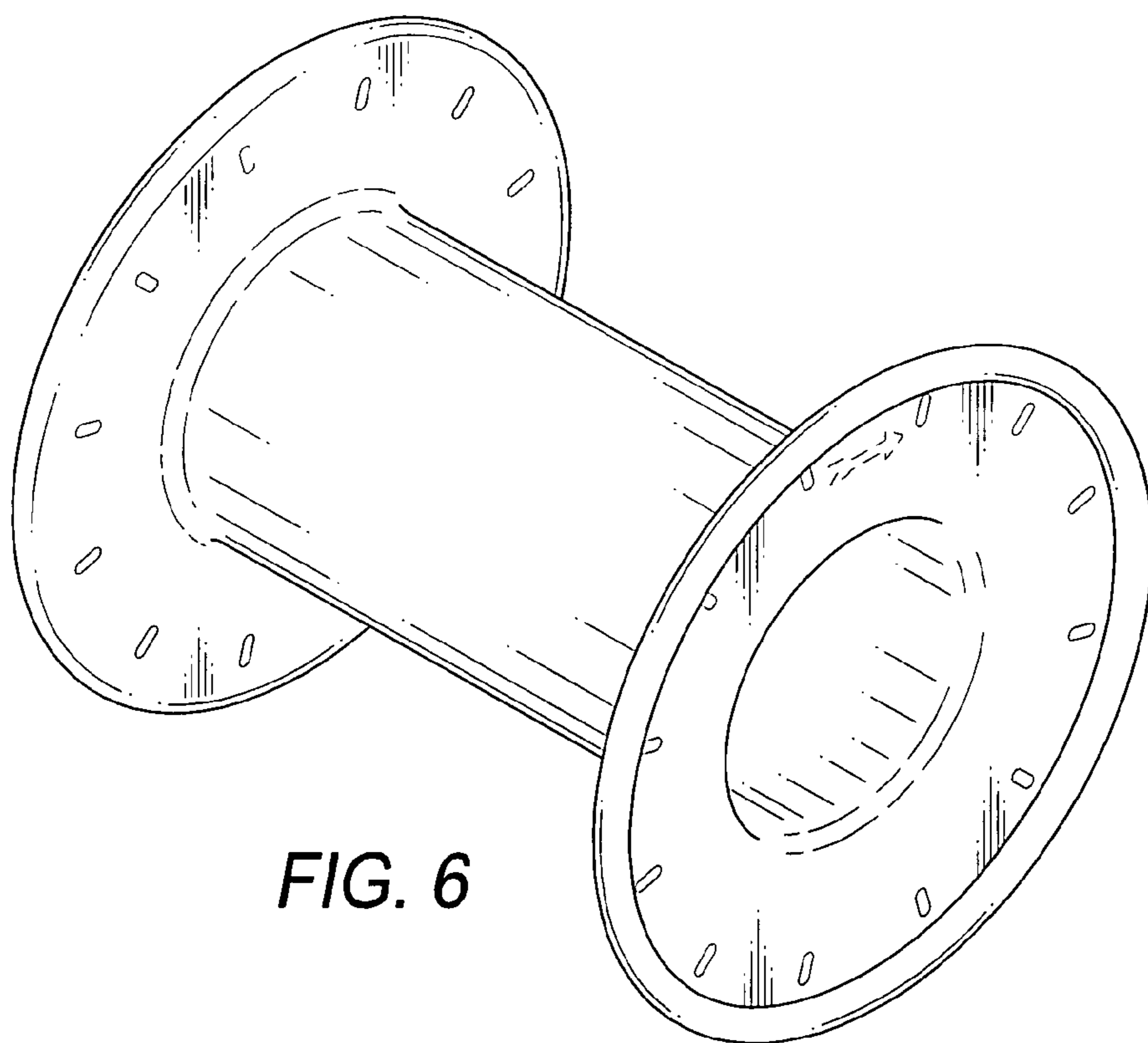
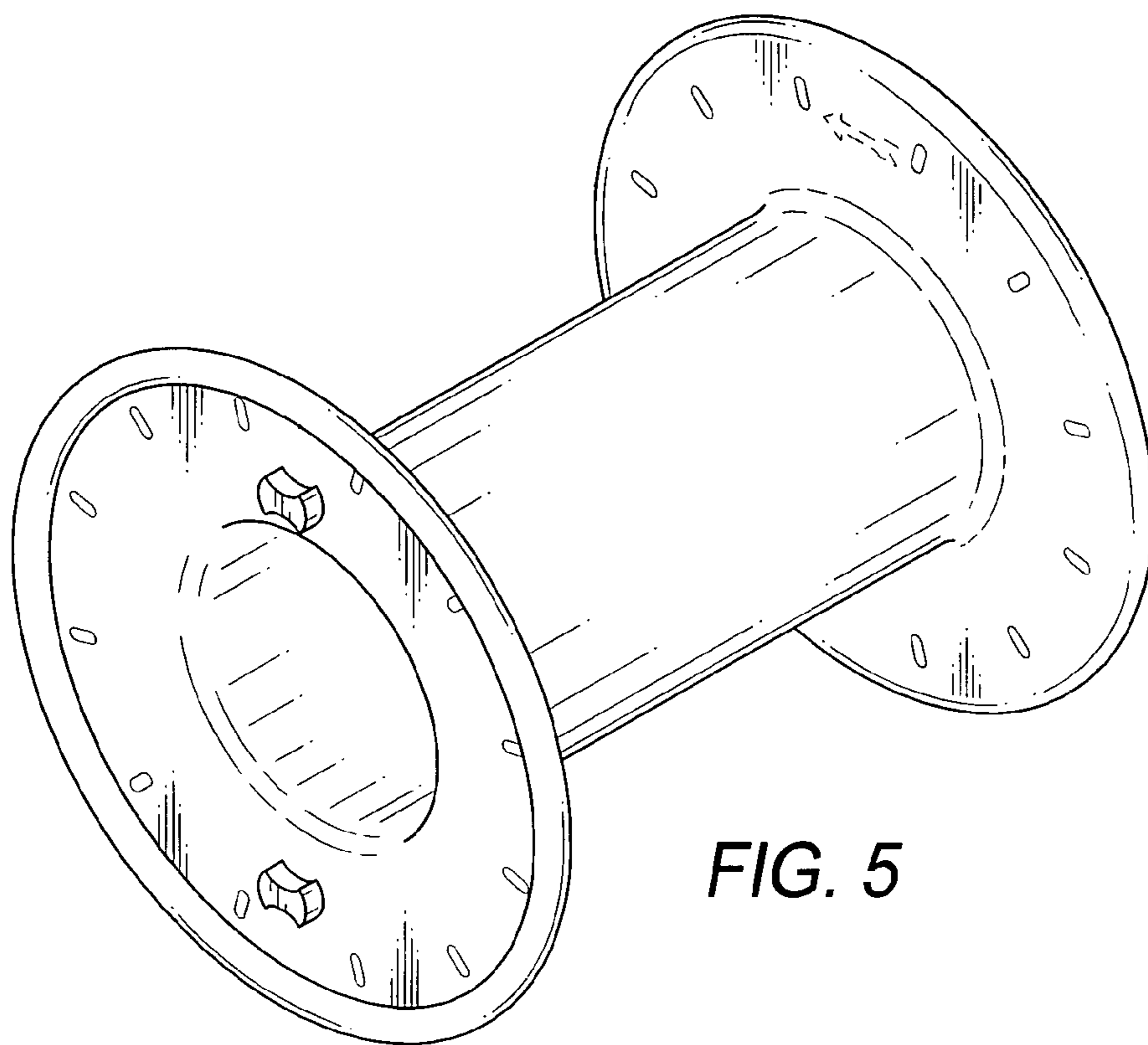


FIG. 4



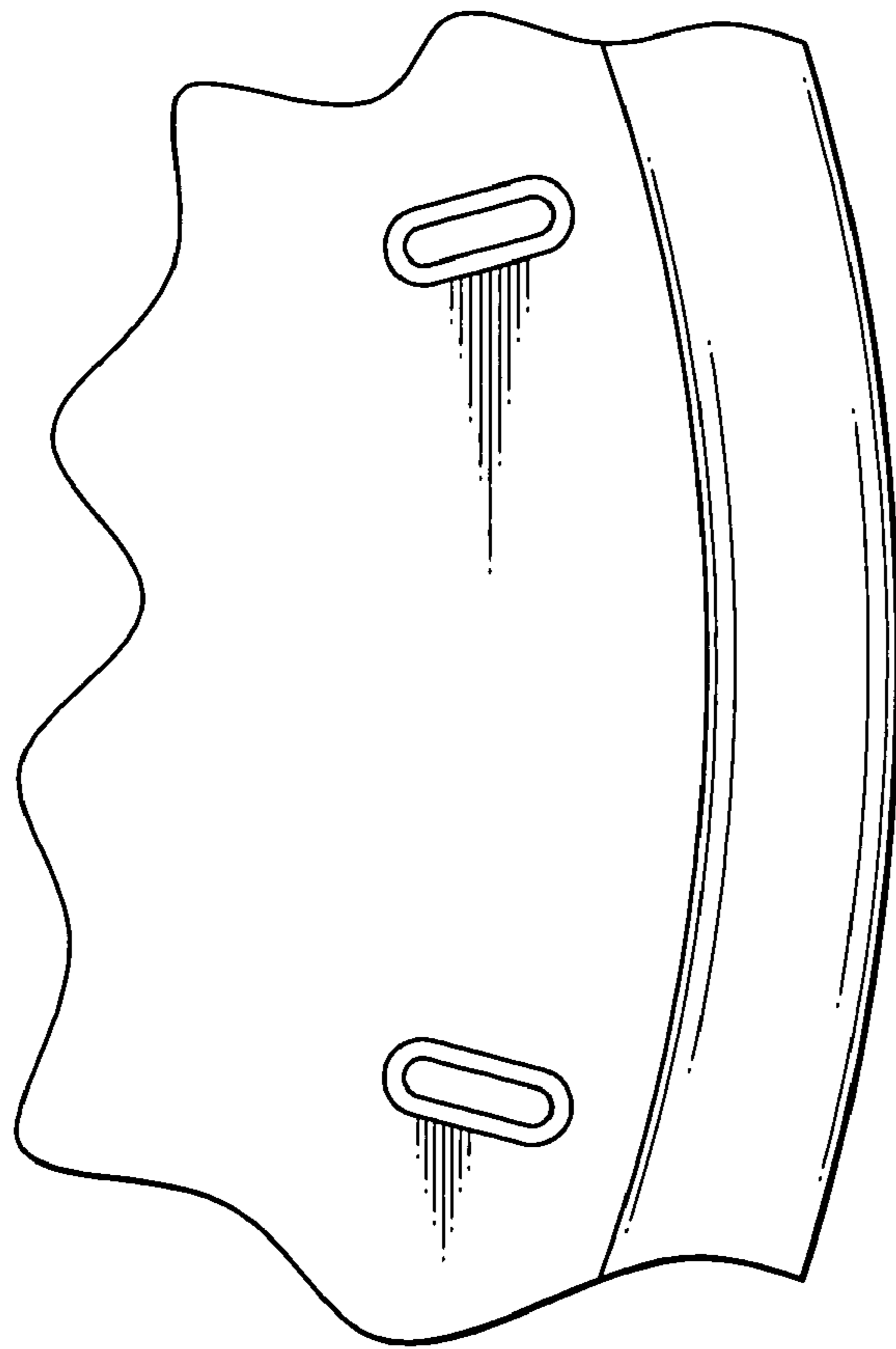


FIG. 7

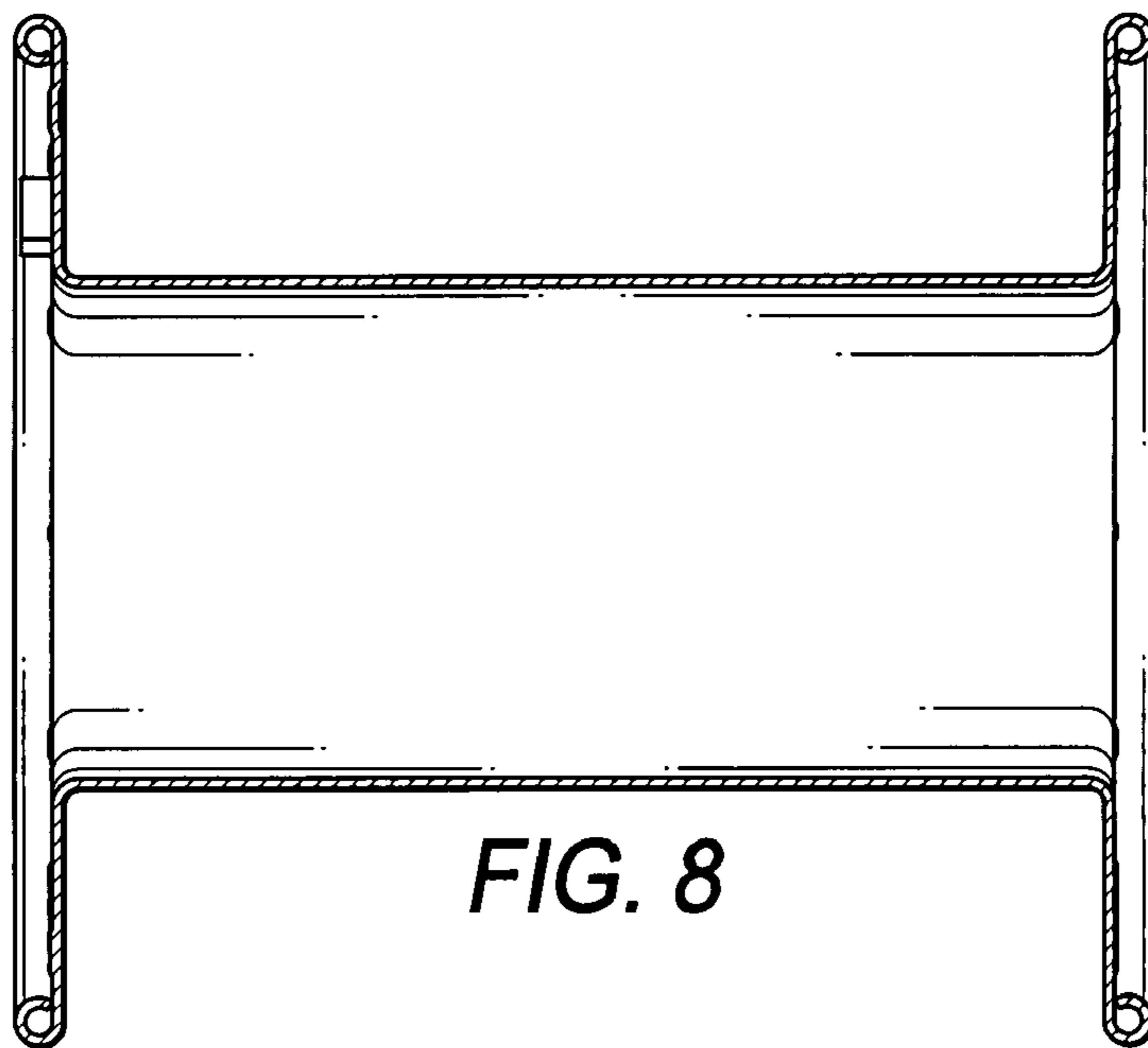


FIG. 8

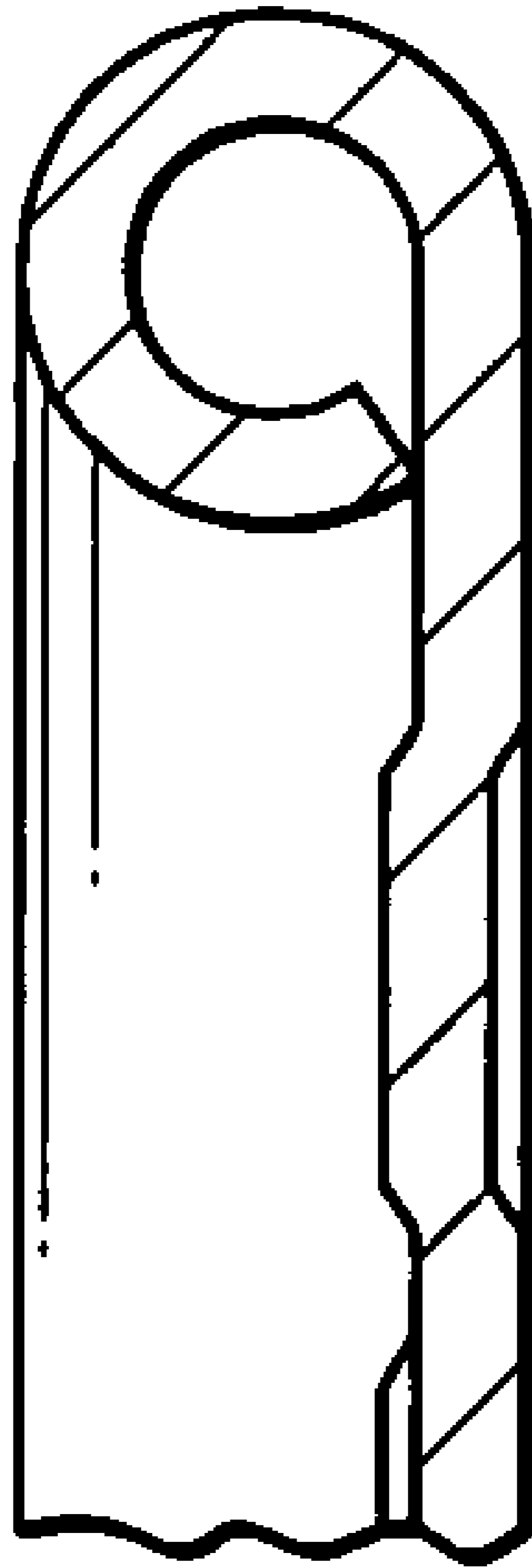


FIG. 9