



US00D583650S

(12) **United States Design Patent**
Moerke

(10) **Patent No.:** **US D583,650 S**
(45) **Date of Patent:** **** Dec. 30, 2008**

(54) **GROMMET**

(75) Inventor: **Benjamin H. Moerke**, Chippewa Falls, WI (US)

(73) Assignee: **Illinois Tool Works Inc.**, Glenview, IL (US)

(**) Term: **14 Years**

(21) Appl. No.: **29/295,914**

(22) Filed: **Oct. 10, 2007**

Related U.S. Application Data

(63) Continuation-in-part of application No. 11/172,037, filed on Jun. 30, 2005.

(51) **LOC (8) Cl.** **08-08**

(52) **U.S. Cl.** **D8/356**

(58) **Field of Classification Search** D8/356,
D8/382, 385, 400; 16/2.1; 174/153 G, 650,
174/659, 668; 411/15, 182, 508, 913
See application file for complete search history.

(56) **References Cited**

U.S. PATENT DOCUMENTS

- 2,836,214 A * 5/1958 Rapata 411/182
- 2,984,698 A * 5/1961 Strauss 174/138 R
- 3,701,302 A * 10/1972 Pestka et al. 411/15
- 3,701,373 A * 10/1972 Wronke et al. 411/182
- 3,756,116 A * 9/1973 Schuplin 411/15
- 3,803,973 A * 4/1974 Rapata 411/15
- 3,830,134 A * 8/1974 Erickson 411/15
- 3,869,958 A * 3/1975 Murayama 411/15
- 3,933,076 A * 1/1976 Tanaka 411/15
- 4,070,945 A * 1/1978 Kurosaki 411/182
- 4,077,300 A * 3/1978 Yoda 411/15
- 4,179,977 A * 12/1979 van Buren, Jr. 411/182
- D270,516 S * 9/1983 Achille D8/354
- 4,743,152 A * 5/1988 Nakayama et al. 411/182
- 4,971,500 A * 11/1990 Benoit et al. 411/182
- 5,294,225 A * 3/1994 Kazino et al. 411/182
- D347,782 S * 6/1994 Wentzel D8/356
- 5,401,132 A * 3/1995 Akema 411/38
- 5,429,467 A * 7/1995 Gugle et al. 411/182
- 5,593,262 A * 1/1997 Gedeon et al. 411/182
- 6,244,805 B1 * 6/2001 Everard 411/182

- D464,873 S * 10/2002 Nemoto D8/382
- 6,560,819 B2 * 5/2003 Mizuno et al. 16/2.2
- 6,659,698 B2 * 12/2003 Kirchen et al. 411/7
- D484,779 S * 1/2004 Shibuya D8/382
- 7,048,486 B2 * 5/2006 Schaty 411/508
- D529,793 S * 10/2006 Kuroda D8/382
- 7,222,394 B2 * 5/2007 Gardner 16/2.1
- 7,226,260 B2 * 6/2007 Jackson et al. 411/173
- 2004/0071527 A1 * 4/2004 Dendo 411/508
- 2004/0136812 A1 * 7/2004 Kawai et al. 411/508
- 2005/0220566 A1 * 10/2005 Nolle 411/508
- 2007/0253796 A1 * 11/2007 Kawai 411/508
- 2007/0289770 A1 * 12/2007 Koike 174/153 G

FOREIGN PATENT DOCUMENTS

- JP 2004044697 A * 2/2004
- JP 2005220981 A * 8/2005

* cited by examiner

Primary Examiner—T. Chase Nelson

Assistant Examiner—Karen Acker

(74) *Attorney, Agent, or Firm*—Mark W. Croll; Paul F. Donovan

(57) **CLAIM**

The ornamental design for a grommet, as shown and described.

DESCRIPTION

FIG. 1 is a perspective view of a grommet showing the new design;

FIG. 2 is a bottom view thereof;

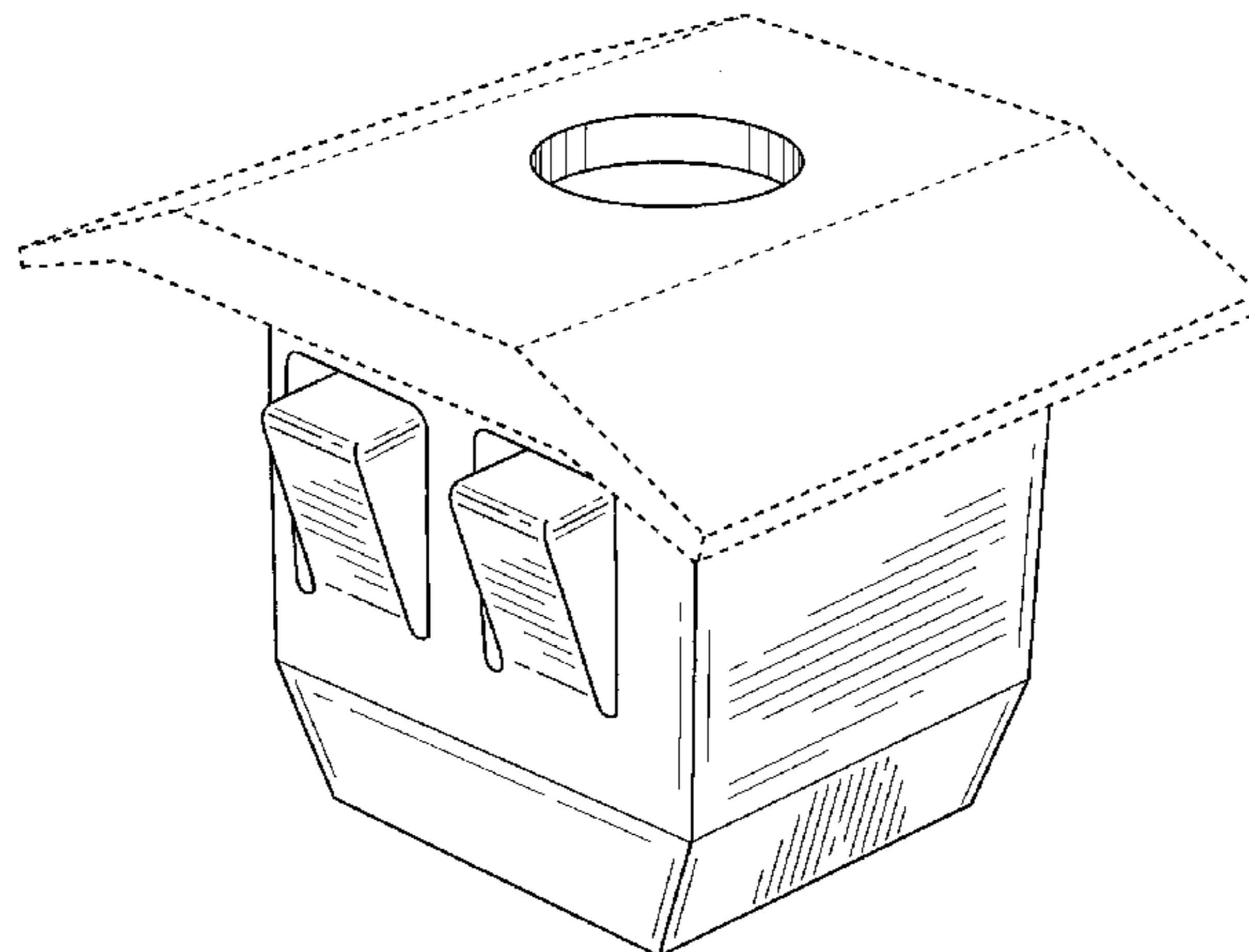
FIG. 3 is a top view thereof;

FIG. 4 is a first side view thereof, the opposite side being the same; and,

FIG. 5 is a second side view thereof, the second side view being adjacent to the first side view, and the opposite side of the second side being the same as the second side.

The broken line portions of the disclosure are for illustrative purposes only and form no part of the claimed design.

1 Claim, 5 Drawing Sheets



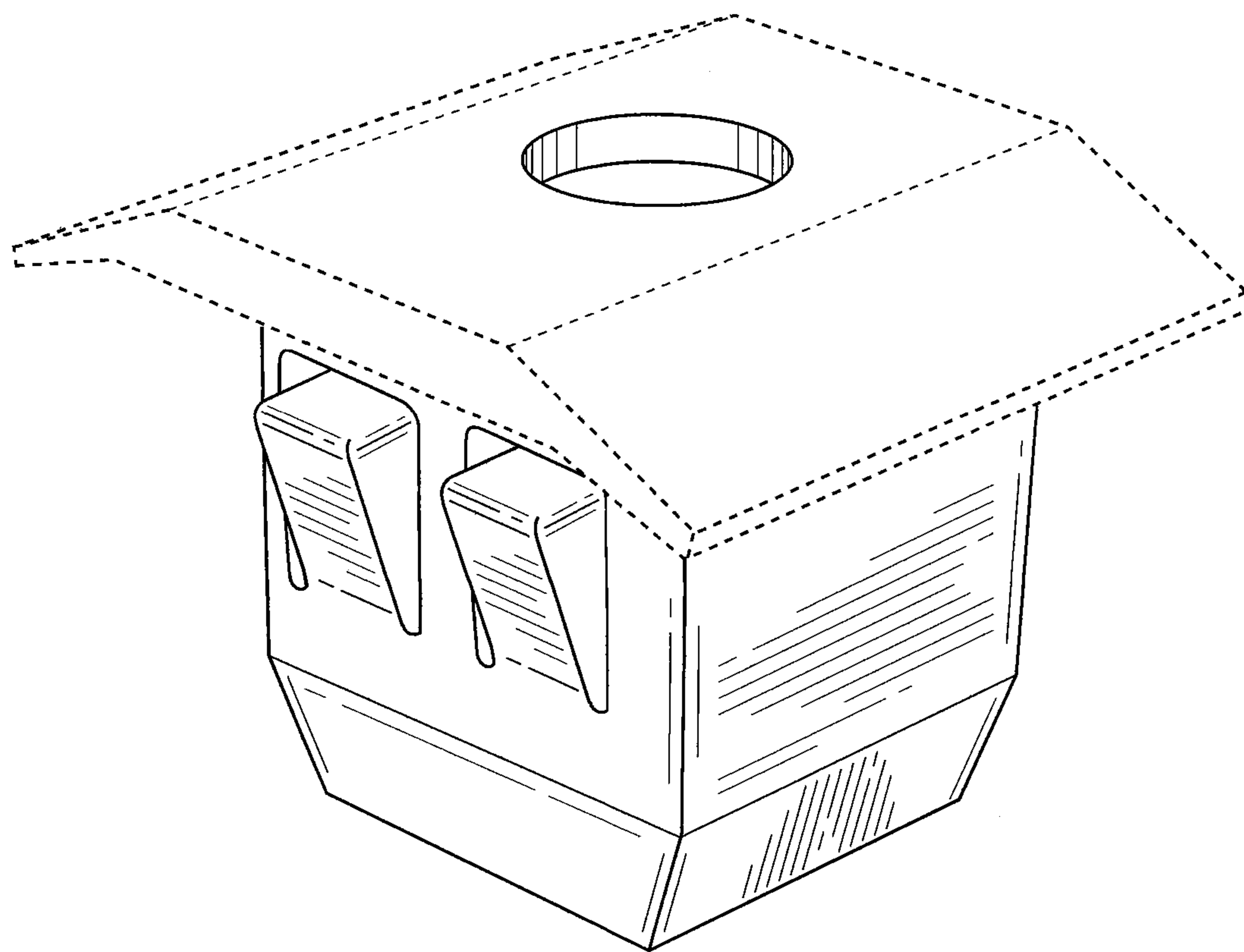


Fig. 1

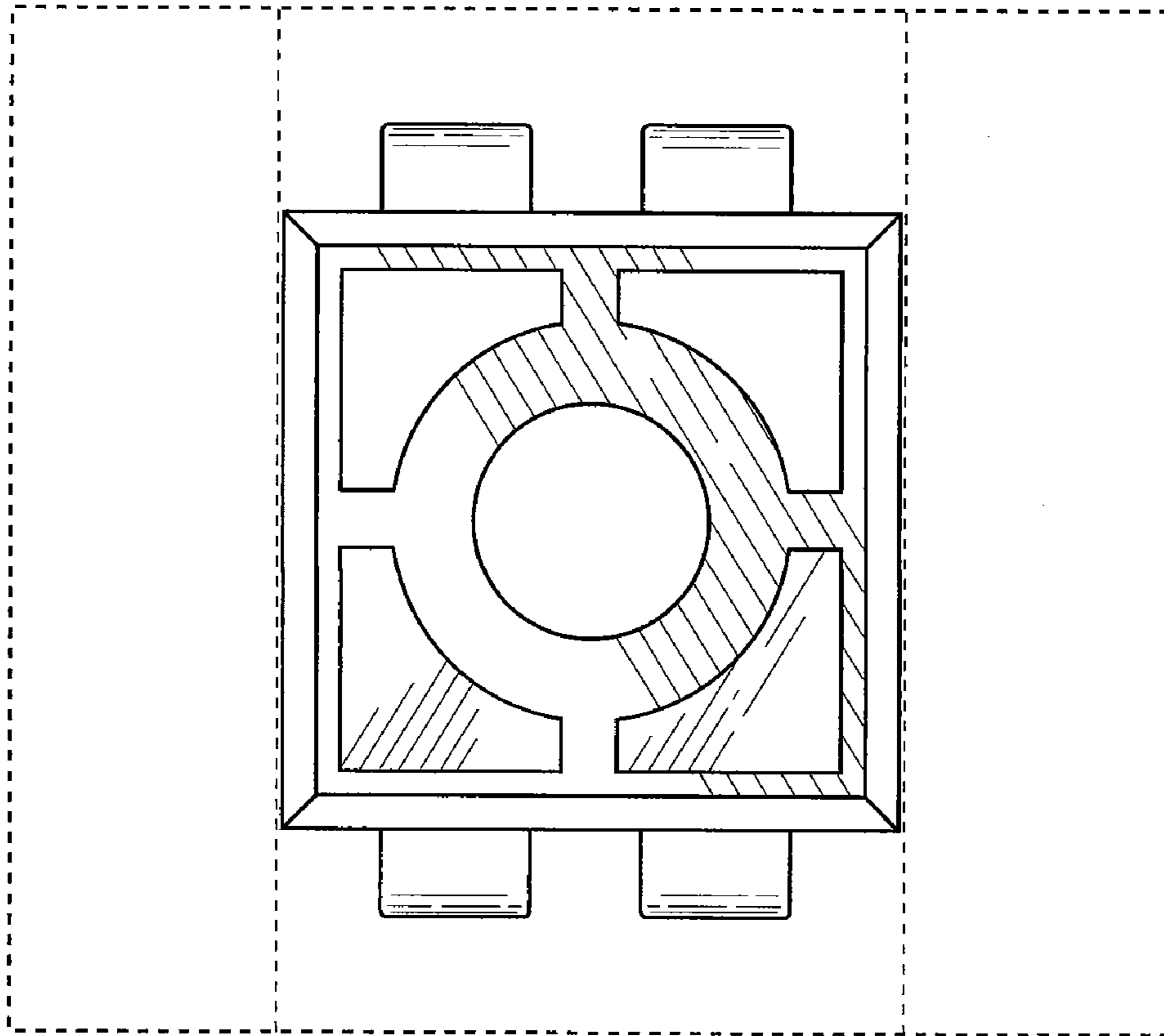


Fig. 2

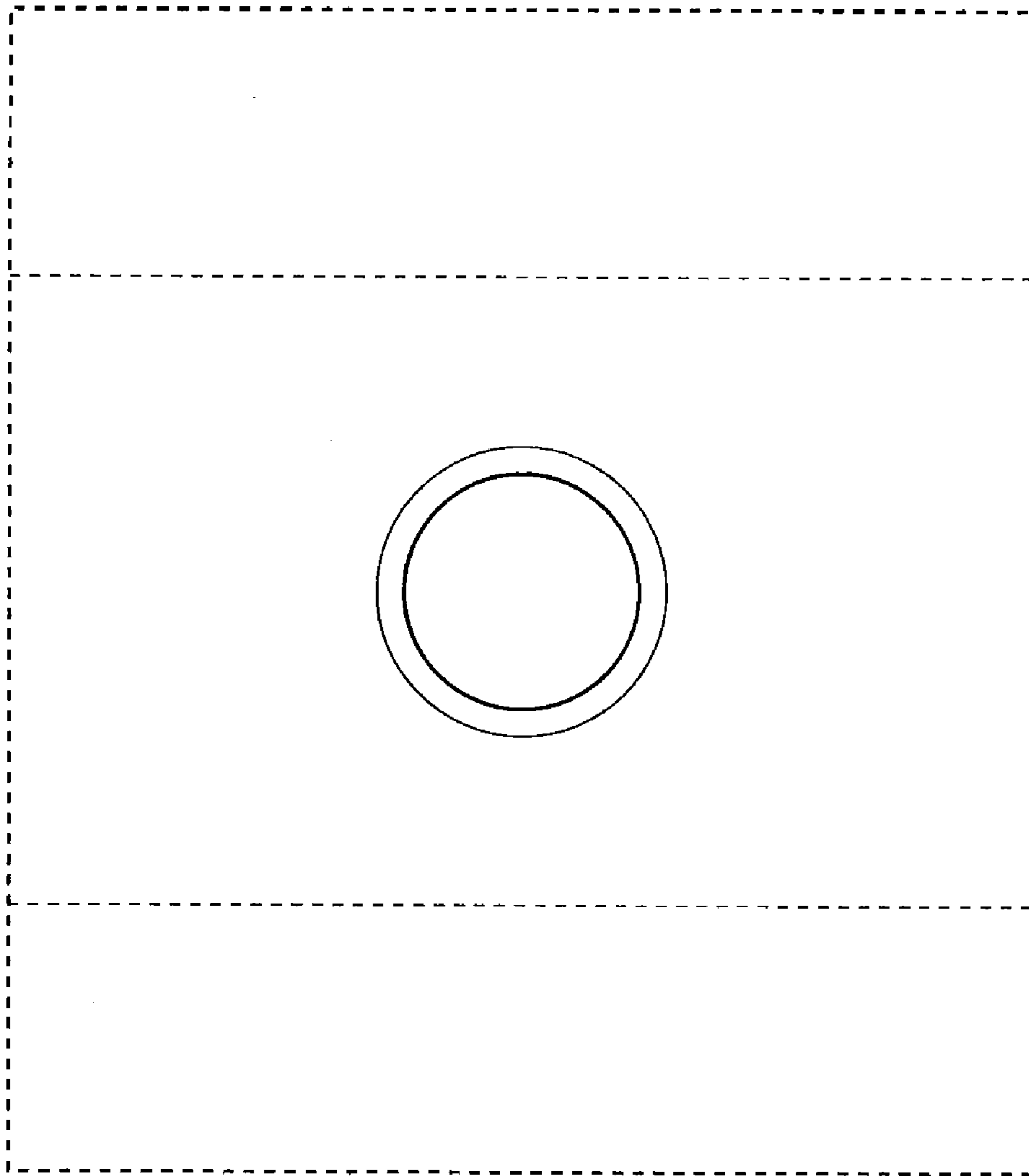


Fig. 3

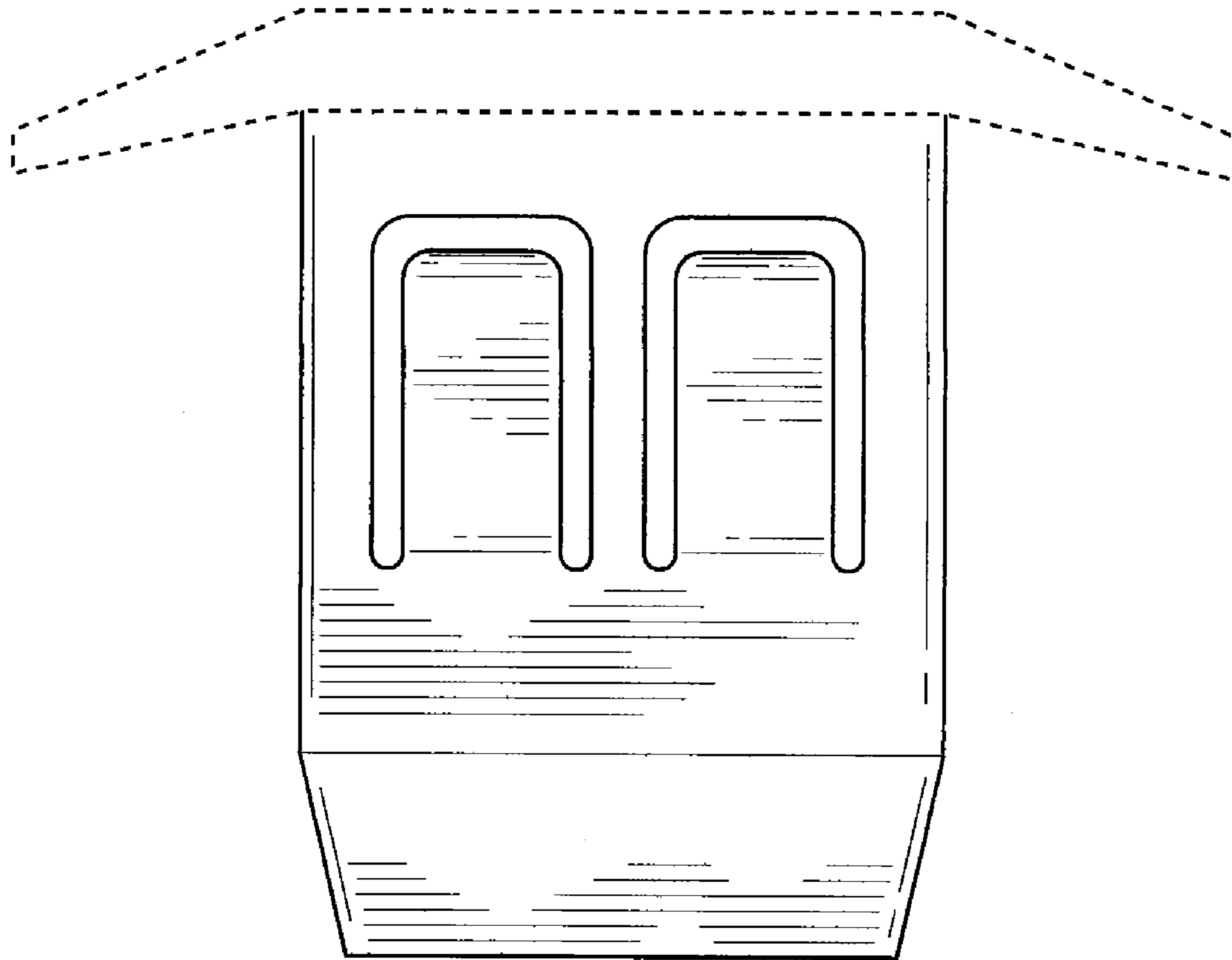


Fig. 4

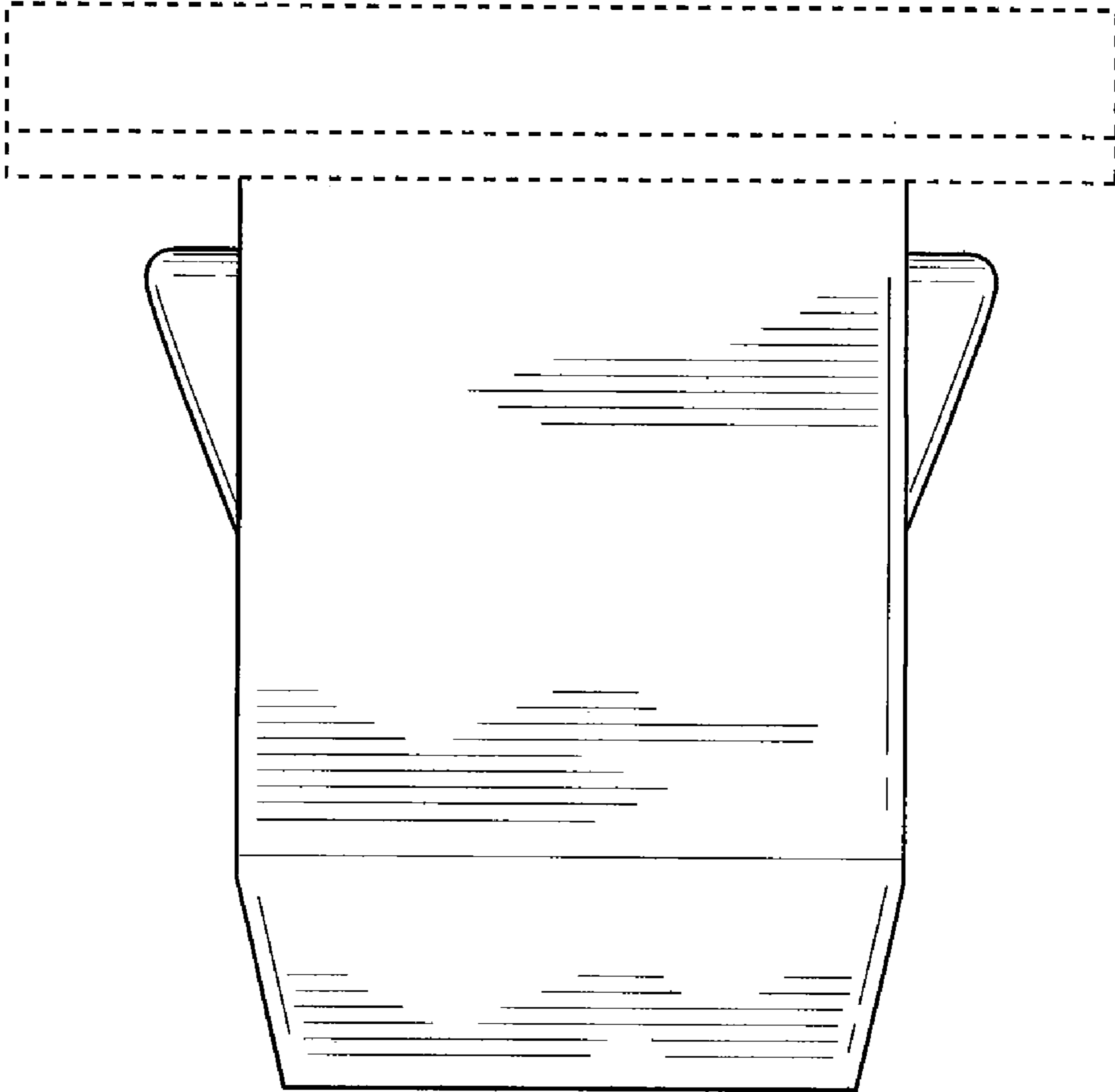


Fig. 5