



US00D583648S

(12) **United States Design Patent**  
**Cushman**

(10) **Patent No.:** **US D583,648 S**

(45) **Date of Patent:** **\*\* Dec. 30, 2008**

(54) **TORSION ADAPTER FOR KEYS**

7,171,831 B2 \* 2/2007 Matthews ..... 70/408  
7,240,527 B2 \* 7/2007 Boyd ..... 70/456 R

(76) Inventor: **Kenneth M. Cushman**, 61 Queensberry Dr., Atoka, TN (US) 38004

\* cited by examiner

(\*\*) Term: **14 Years**

*Primary Examiner*—Prabhakar Deshmukh  
(74) *Attorney, Agent, or Firm*—Robert C. Montgomery; Eugene A. Vittone, II

(21) Appl. No.: **29/291,156**

(22) Filed: **Aug. 16, 2007**

(57) **CLAIM**

(51) **LOC (8) Cl.** ..... **08-07**

The ornamental design for a torsion adapter for keys, as shown and described.

(52) **U.S. Cl.** ..... **D8/343**

(58) **Field of Classification Search** ..... D8/347,  
D8/348, 343; 70/408, 411, 429, 456 R, 458-460,  
70/394, 447, 455; 206/38.1, 37.1, 37.2, 37.3,  
206/37.5

**DESCRIPTION**

See application file for complete search history.

FIG. 1 is a perspective view of a torsion adapter for keys, as shown and described;

FIG. 2 is a right side view thereof;

FIG. 3 is a left side view thereof;

FIG. 4 is a front view thereof;

FIG. 5 is a rear view thereof;

FIG. 6 is a top view thereof; and,

FIG. 7 is a bottom view thereof.

All views are shown in an exploded condition for clarity.

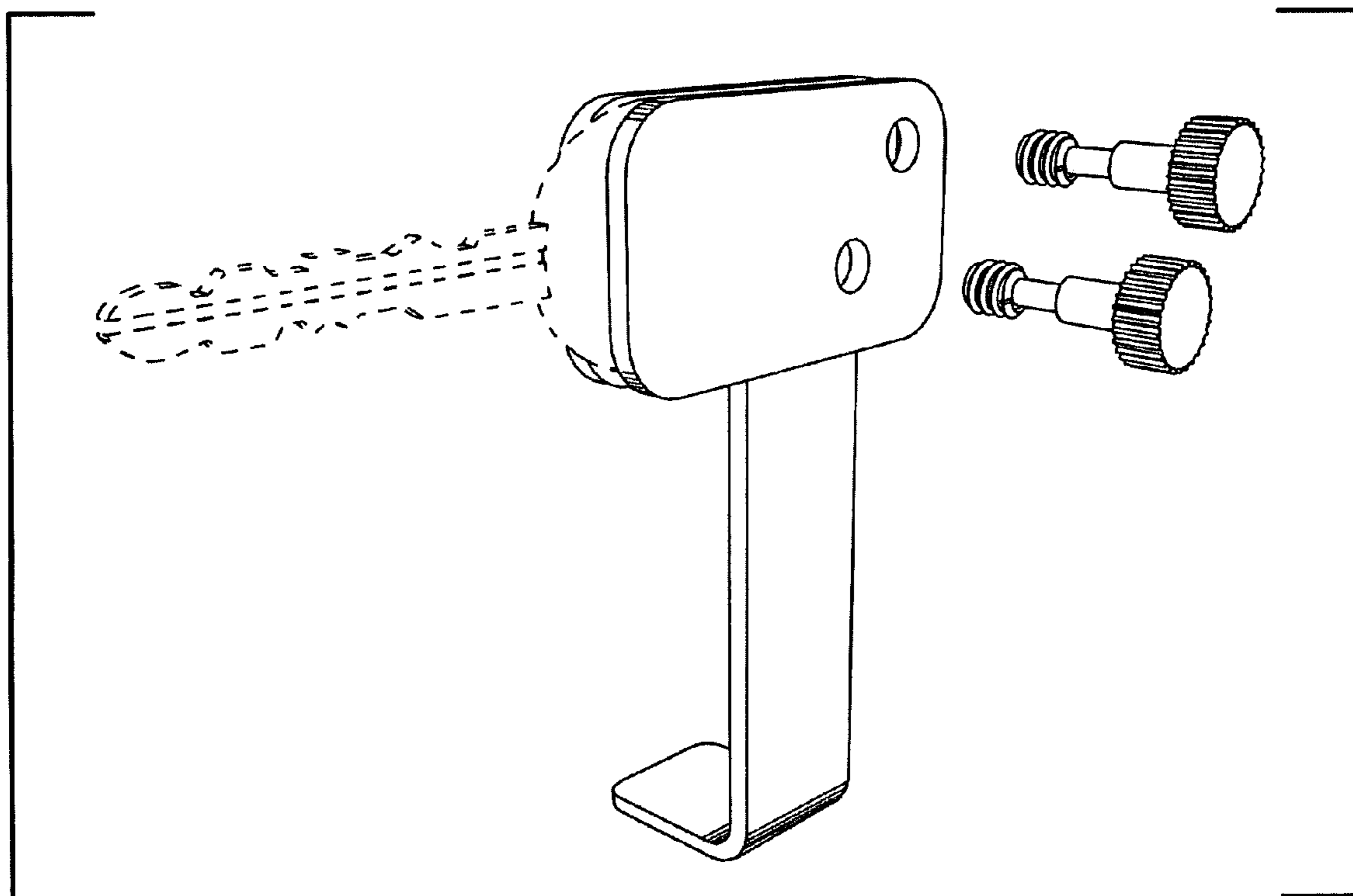
The broken lines showing of the key is for illustrative purposes only and form no part of the claimed design.

(56) **References Cited**

U.S. PATENT DOCUMENTS

4,262,508	A *	4/1981	Davidson	.....	70/455
4,583,383	A	4/1986	Bosco et al.		
4,910,983	A	3/1990	Taylor		
4,991,417	A	2/1991	Grecco		
5,058,465	A *	10/1991	Womack	.....	81/487
5,440,910	A	8/1995	Florian		
5,487,291	A *	1/1996	Voigt	.....	70/456 R
D371,955	S	7/1996	Draeger		
5,671,624	A	9/1997	Sivils		
5,794,471	A	8/1998	Rizzo		

**1 Claim, 7 Drawing Sheets**



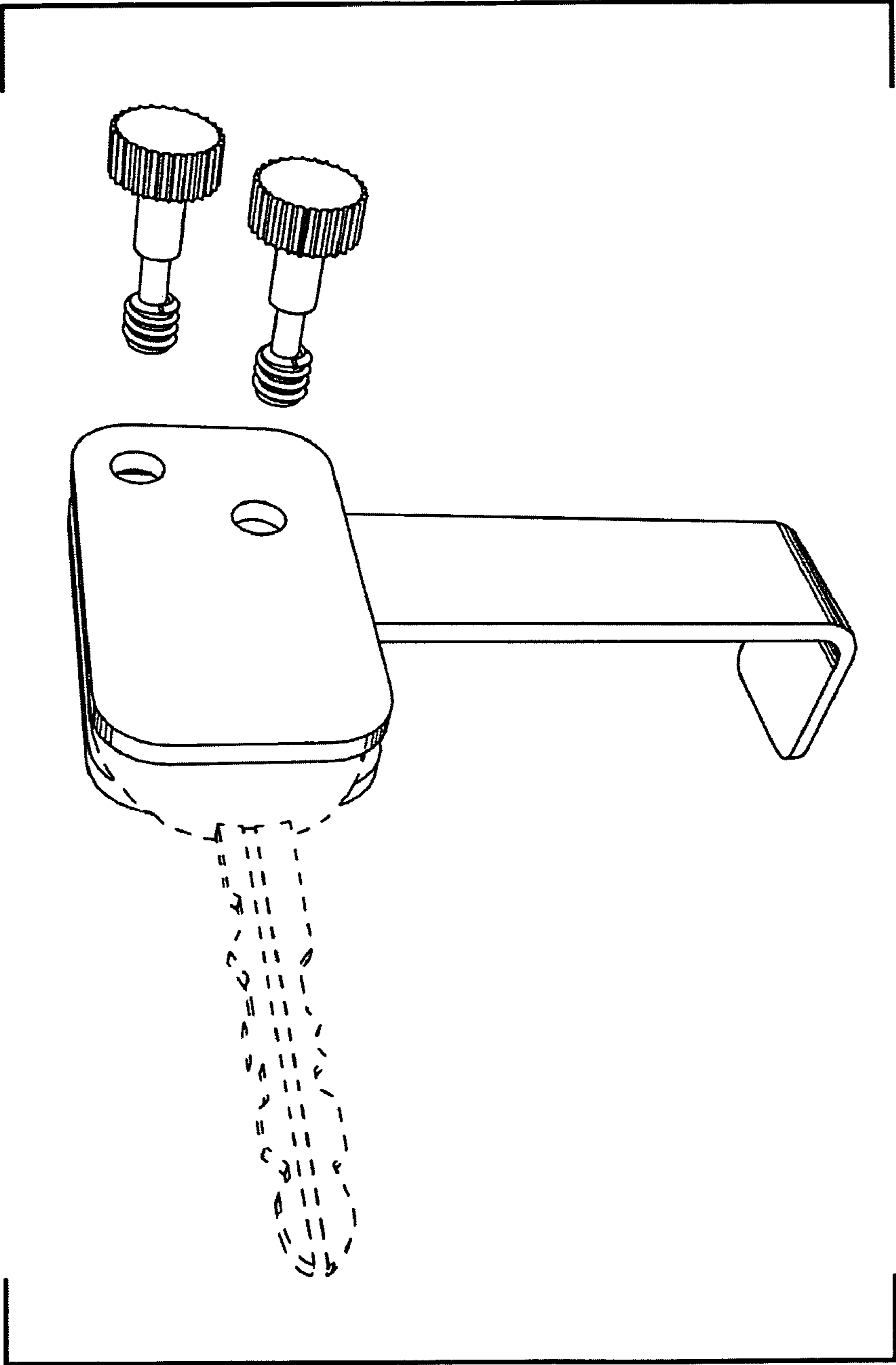


FIG. 1

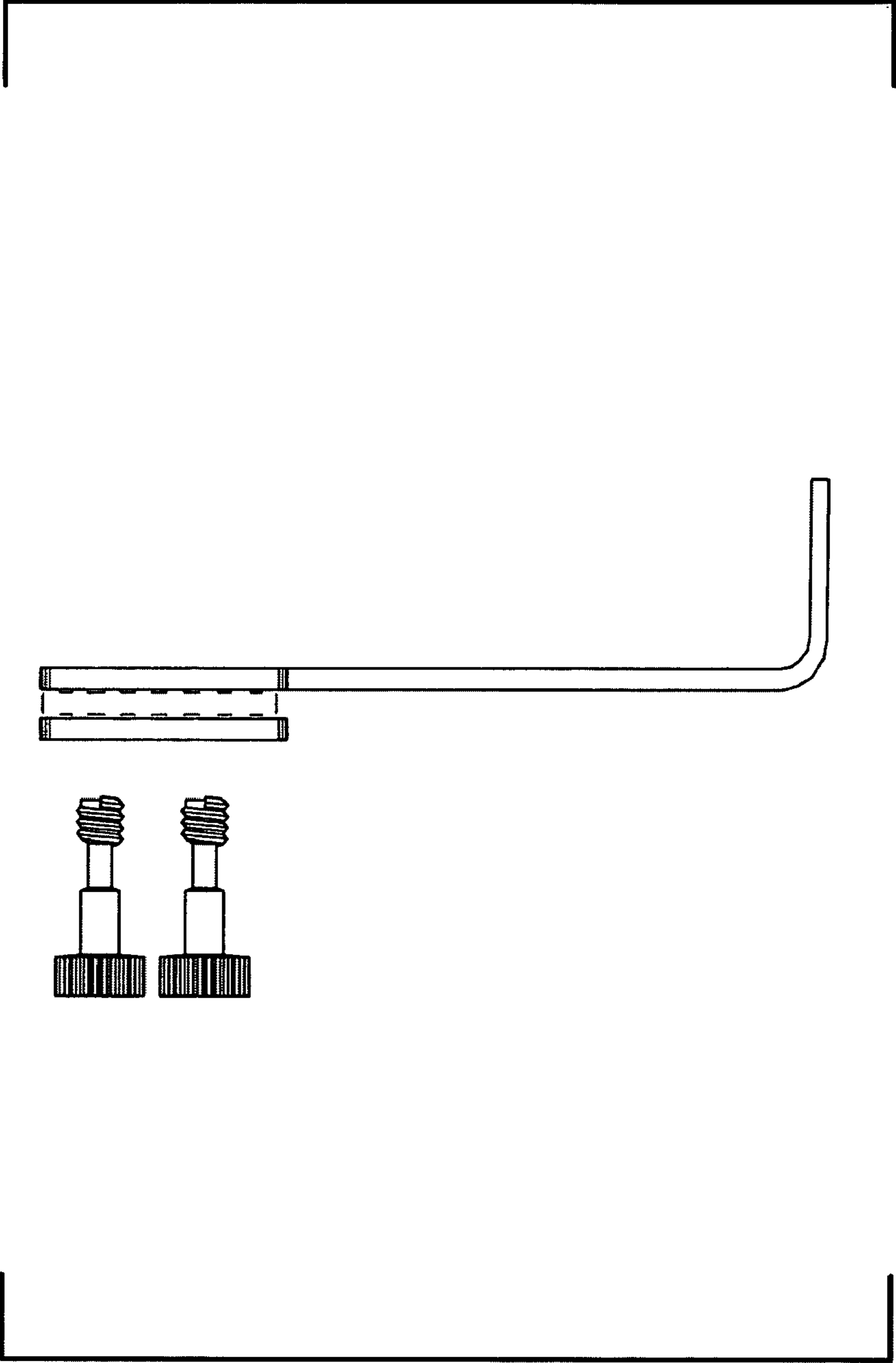


FIG. 2

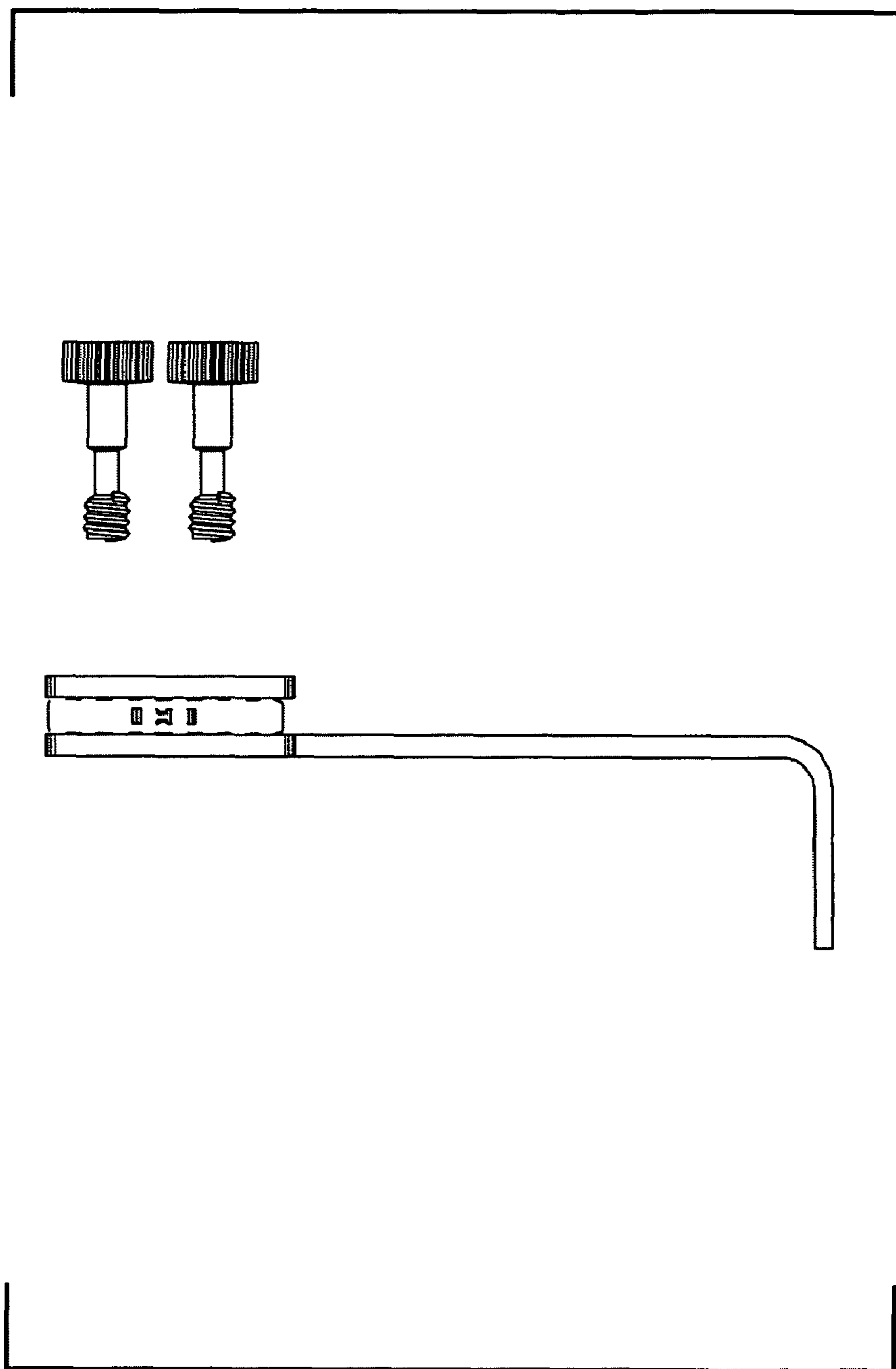


FIG. 3

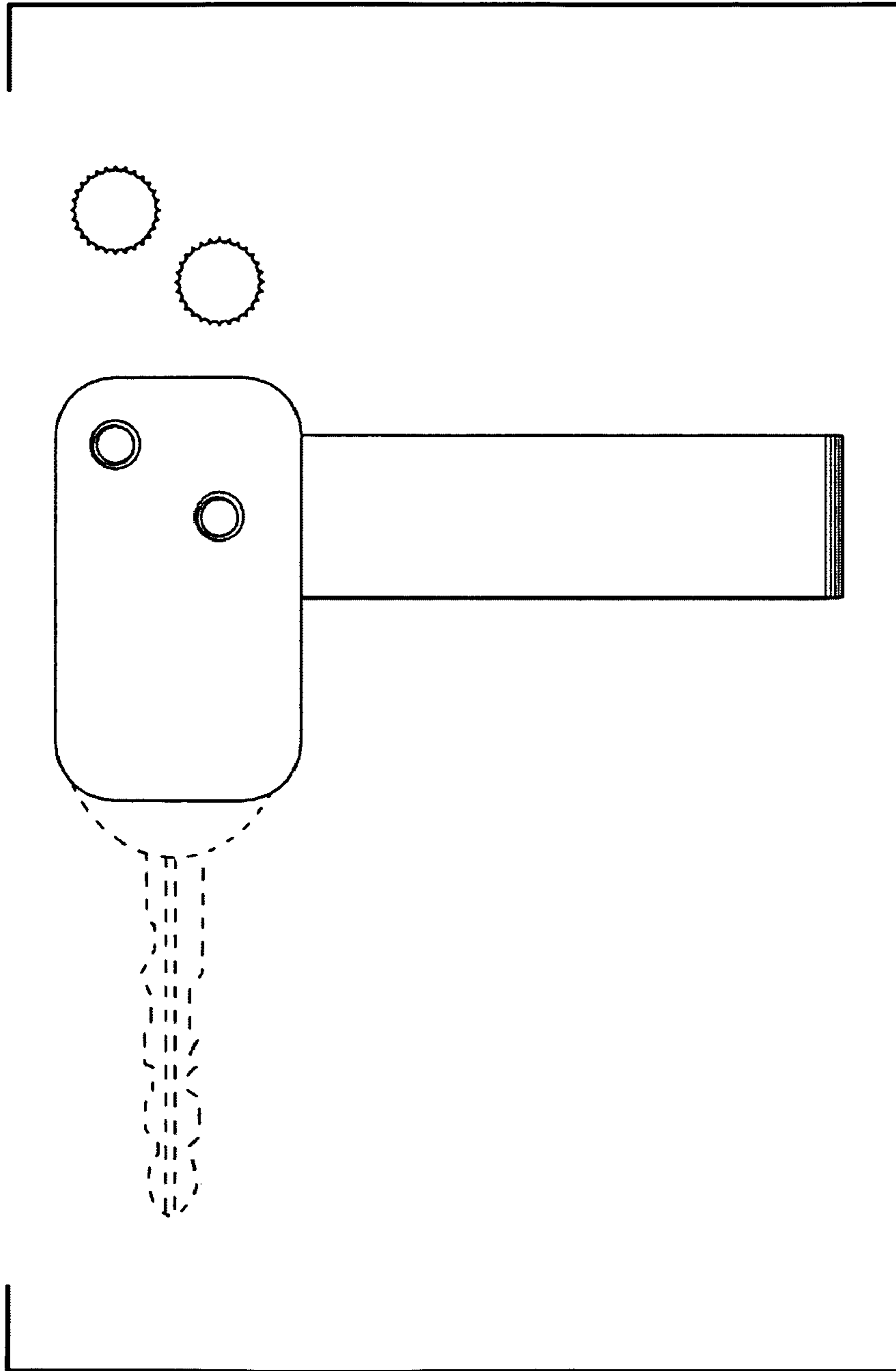
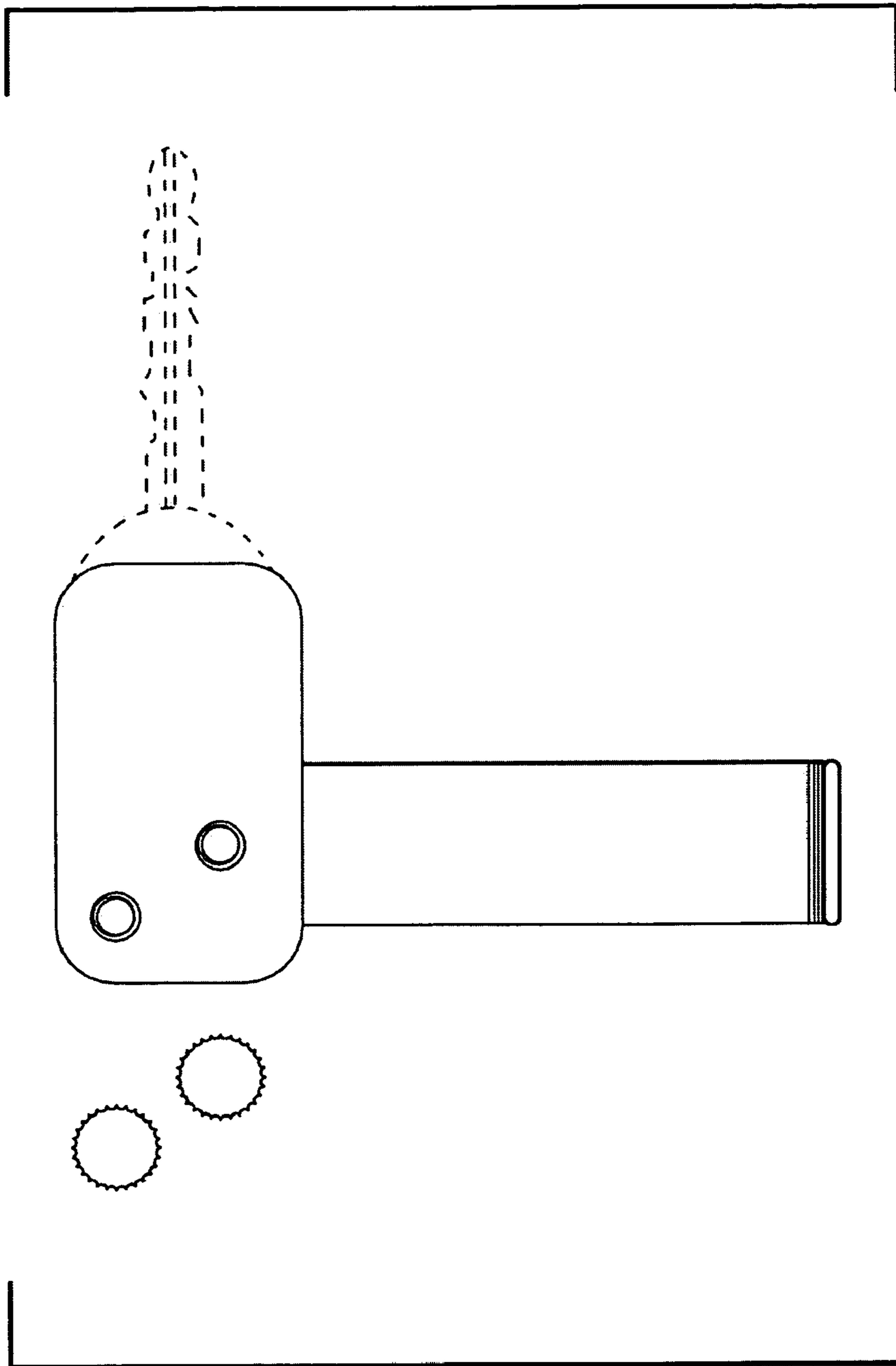


FIG. 4



*FIG. 5*

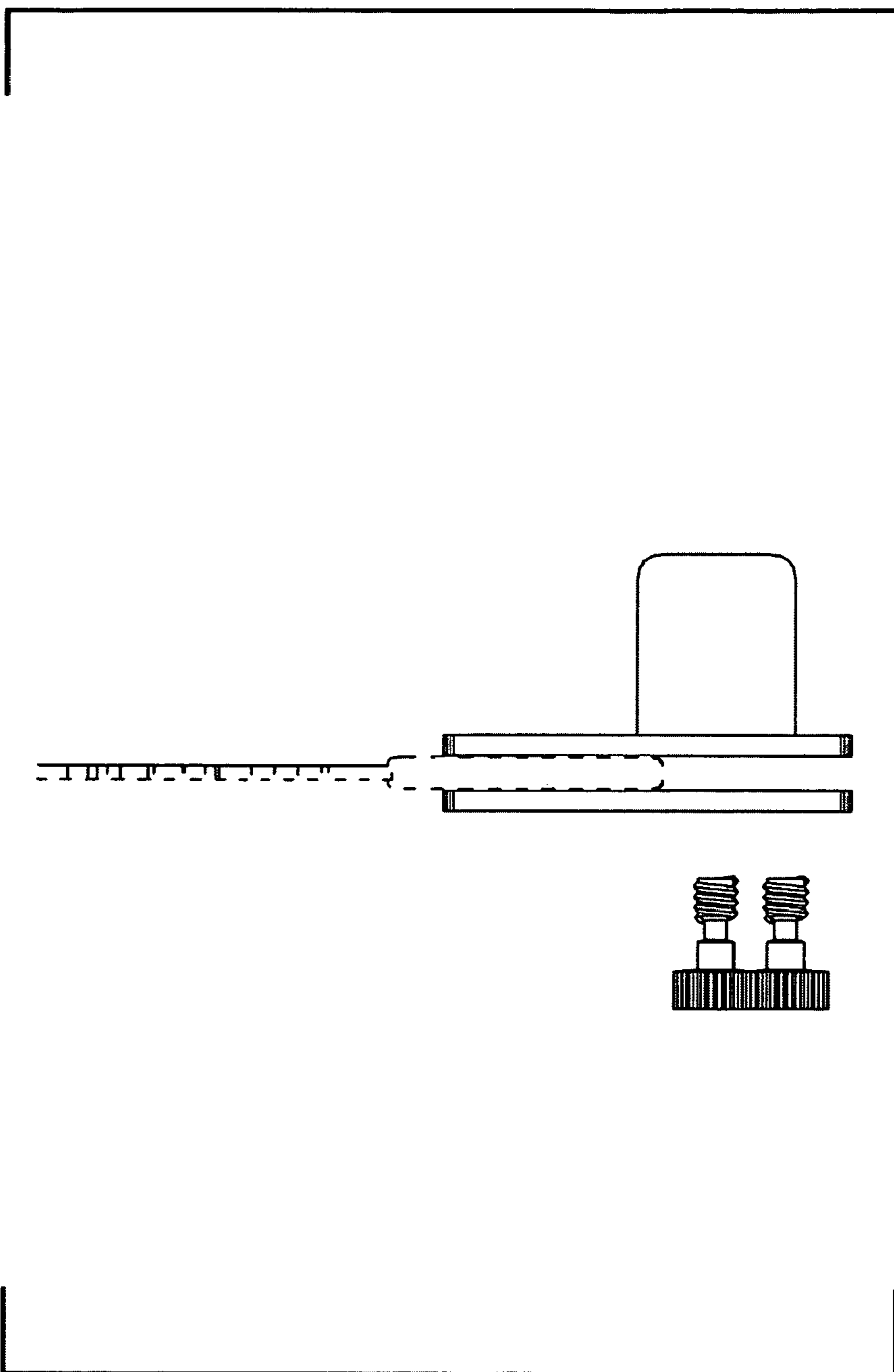


FIG. 6

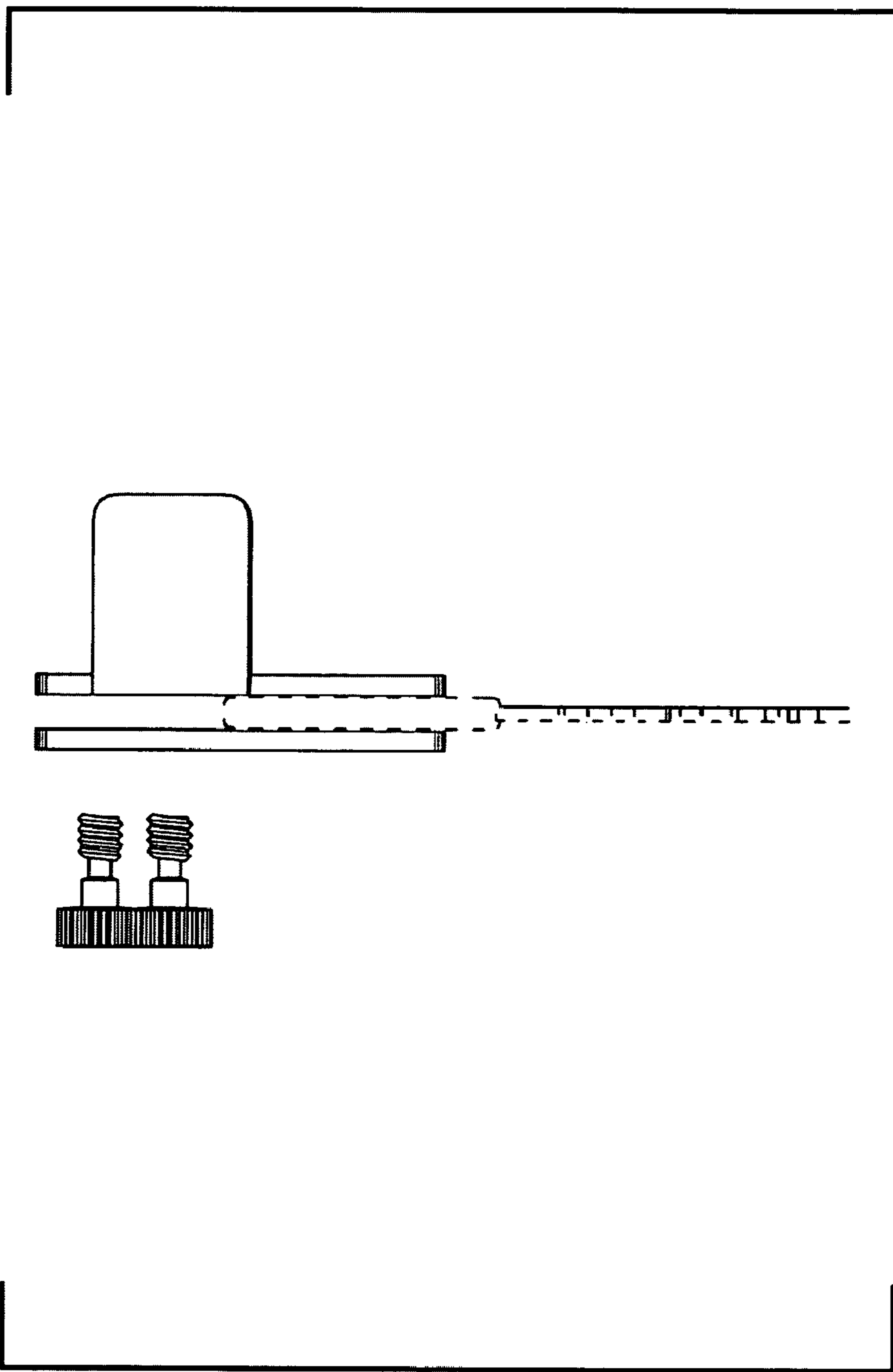


FIG. 7