



US00D583643S

(12) **United States Design Patent**
Ping

(10) **Patent No.:** **US D583,643 S**

(45) **Date of Patent:** **** Dec. 30, 2008**

(54) **FOLDABLE KNIFE**

(75) Inventor: **Qiu Jian Ping**, Hangzhou (CN)

(73) Assignee: **Great Neck Saw Manufacturers, Inc.**,
Mineola, NY (US)

(**) Term: **14 Years**

(21) Appl. No.: **29/301,947**

(22) Filed: **Mar. 24, 2008**

Related U.S. Application Data

(62) Division of application No. 29/301,470, filed on Mar. 3, 2008, now Pat. No. Des. 578,858, which is a division of application No. 29/294,822, filed on Jan. 29, 2008, now Pat. No. Des. 579,299, which is a division of application No. 29/268,987, filed on Nov. 17, 2006, now Pat. No. Des. 574,691.

(51) **LOC (8) Cl.** **08-03**

(52) **U.S. Cl.** **D8/99**

(58) **Field of Classification Search** D8/98,
D8/99, 100, 107; D22/118; 30/155, 159,
30/157, 158, 160, 161, 329, 330, 331
See application file for complete search history.

(56) **References Cited**

U.S. PATENT DOCUMENTS

D407,004 S * 3/1999 Hull et al. D8/99
D435,421 S * 12/2000 Strider et al. D8/99
6,688,003 B2 2/2004 Scarla
D494,437 S 8/2004 Scarla
D495,939 S * 9/2004 Ping D8/99

D495,940 S * 9/2004 Keppel et al. D8/99
D501,782 S 2/2005 Ping
6,915,577 B2 * 7/2005 Scala 30/156
6,951,055 B1 * 10/2005 Collins 30/162
D516,403 S 3/2006 Ping
D519,817 S 5/2006 Wong
D522,835 S 6/2006 Ping
D526,878 S 8/2006 Ping
D541,128 S 4/2007 Farland
D546,158 S 7/2007 Ping
D552,955 S 10/2007 Ping

* cited by examiner

Primary Examiner—Philip S. Hyder

(74) *Attorney, Agent, or Firm*—Joseph J. Previto

(57) **CLAIM**

The ornamental design of a foldable knife, as shown and described.

DESCRIPTION

FIG. 1 is a perspective view of my new design.

FIG. 2 is a top view thereof.

FIG. 3 is a side view thereof.

FIG. 4 is another side view thereof.

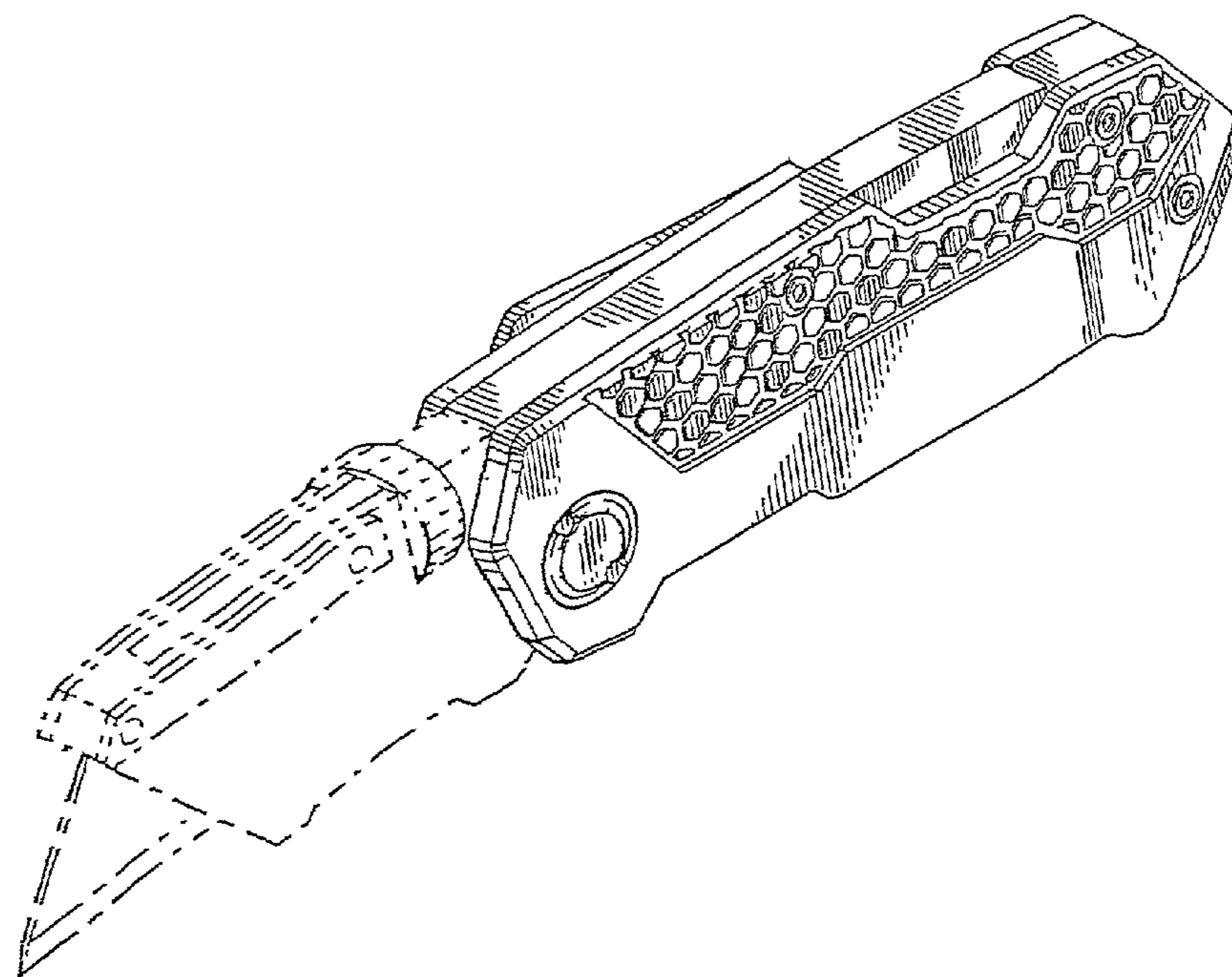
FIG. 5 is a bottom view thereof.

FIG. 6 is a front view thereof; and,

FIG. 7 is a rear view thereof.

The broken line showing of the blade holder is included for the purpose of illustrating environmental structure and forms no part of the claimed design.

1 Claim, 4 Drawing Sheets



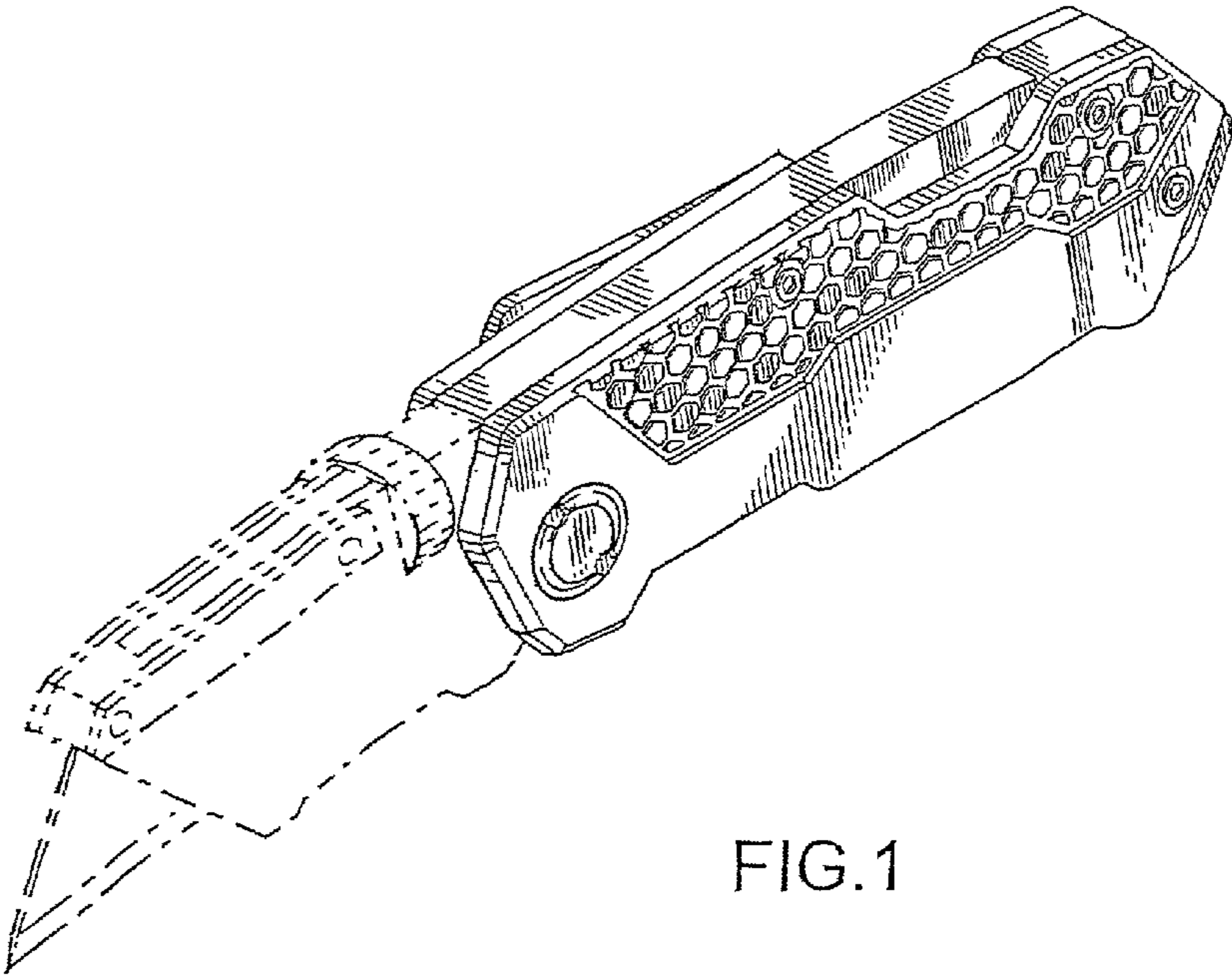


FIG.1

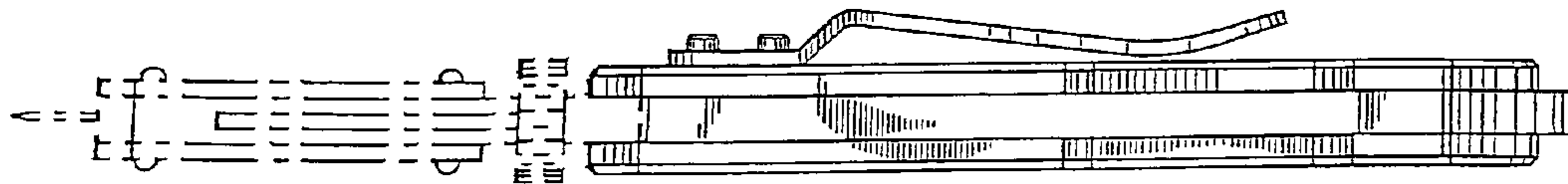


FIG.2

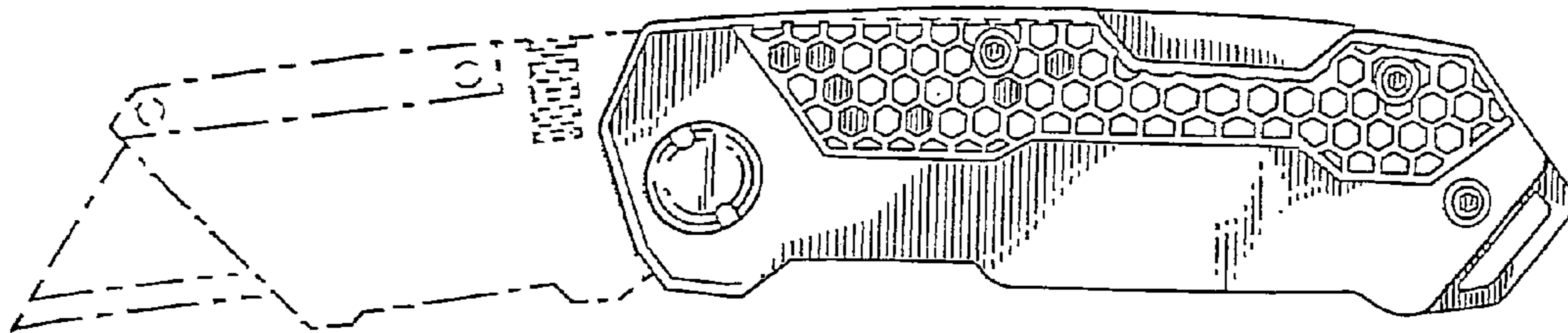


FIG.3

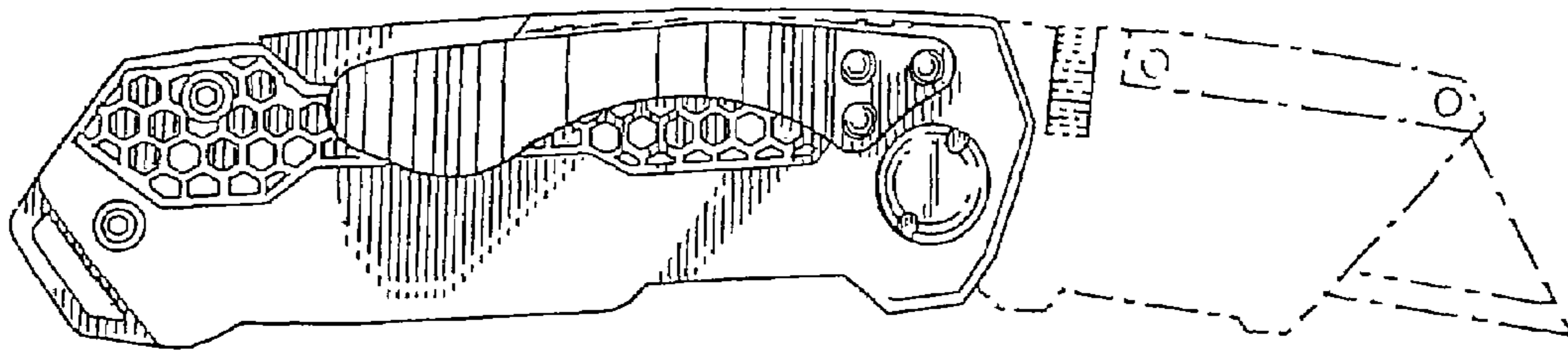


FIG. 4

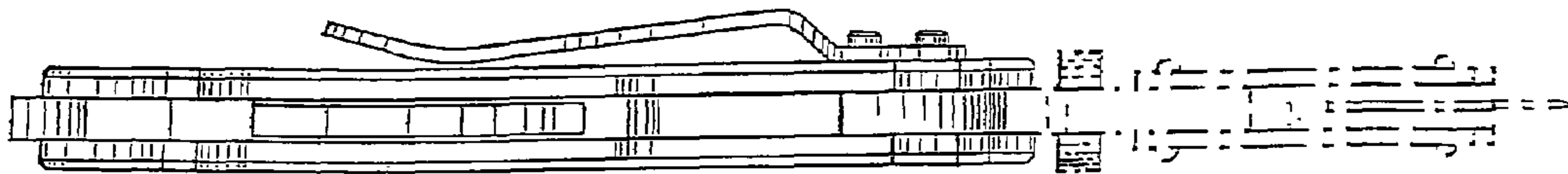


FIG. 5

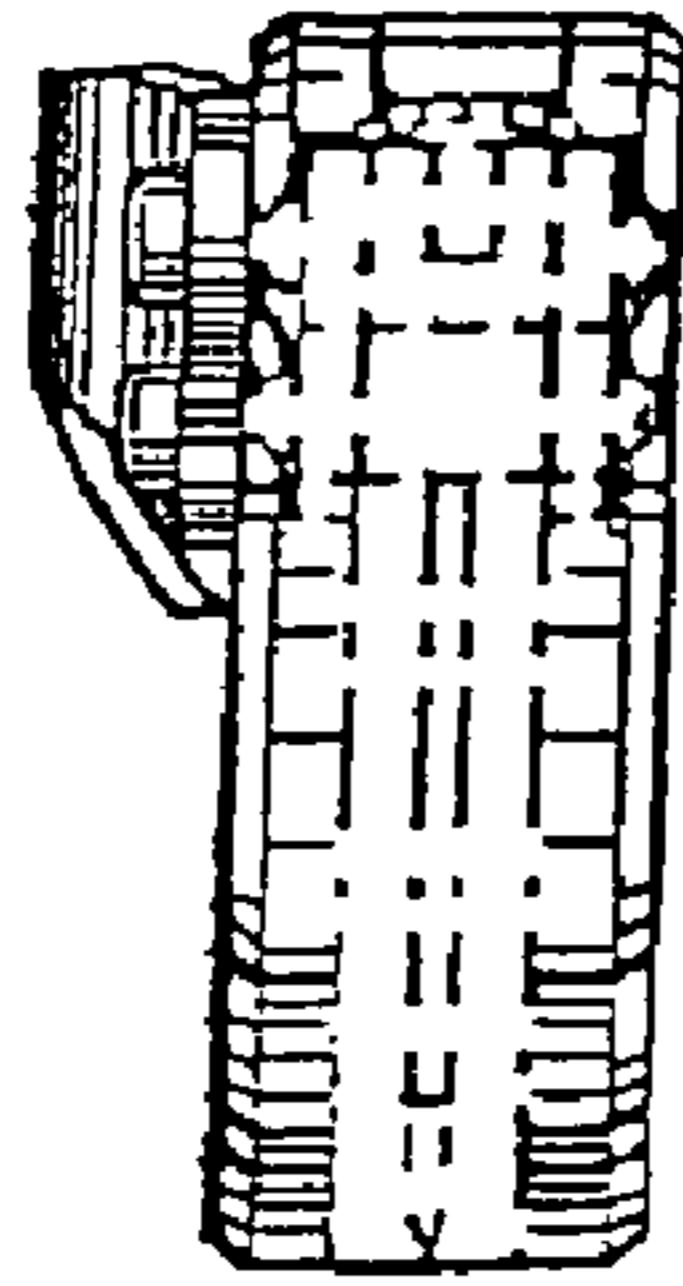


FIG. 6

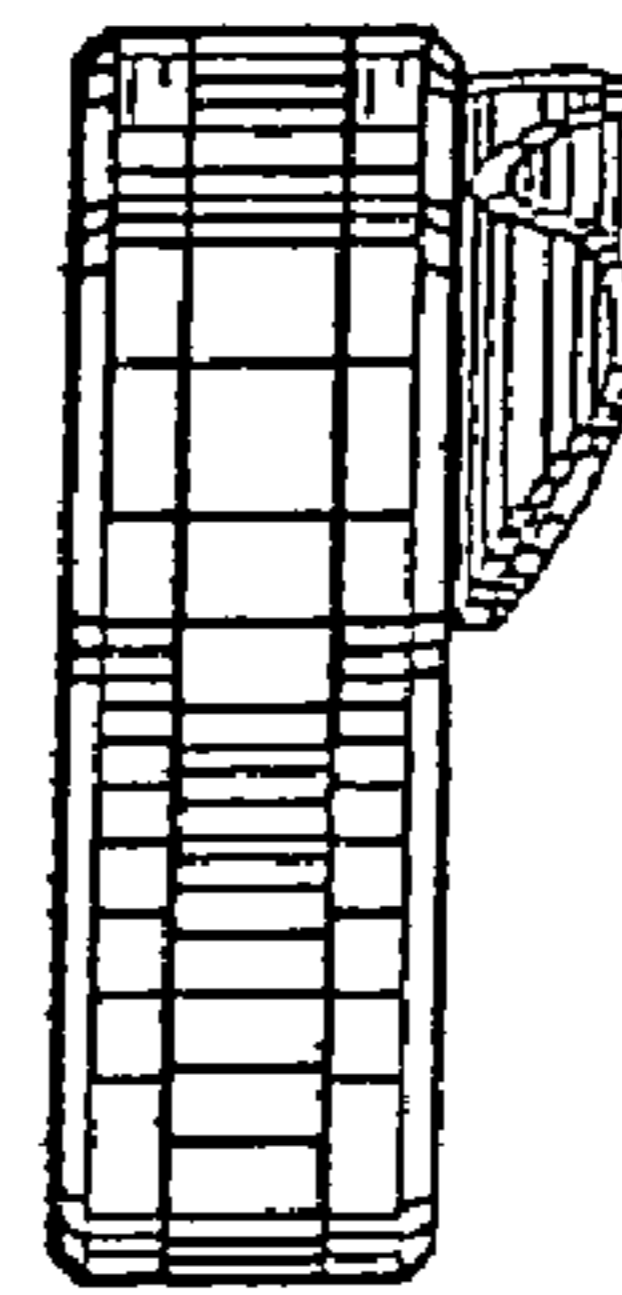


FIG. 7