



US00D583640S

(12) **United States Design Patent**  
**Gilham**

(10) **Patent No.:** **US D583,640 S**

(45) **Date of Patent:** **\*\* Dec. 30, 2008**

(54) **BEAM CLAMP**

(76) **Inventor:** **Rory Gilham**, 2004 Tandem Way,  
Norco, CA (US) 92860

(\*\*) **Term:** **14 Years**

(21) **Appl. No.:** **29/305,205**

(22) **Filed:** **Mar. 14, 2008**

(51) **LOC (8) Cl.** ..... **08-05**

(52) **U.S. Cl.** ..... **D8/73**

(58) **Field of Classification Search** ..... D8/71-74,  
D8/394, 396, 397, 399; 248/72, 689, 124.2;  
81/487, 427, 321; 269/3, 6, 143, 165, 240,  
269/243; 29/256, 257, 276; D15/140

See application file for complete search history.

(56) **References Cited**

U.S. PATENT DOCUMENTS

2,050,858	A	8/1936	Pinaud et al.	
2,376,041	A	5/1945	Ellerthorpe	
2,693,386	A	11/1954	Renfroe	
2,916,244	A	12/1959	Renfroe	
3,146,982	A	9/1964	Budnick	
3,232,393	A	2/1966	Attwood	
3,301,513	A	1/1967	Sugaya	
3,469,810	A	9/1969	Dorris	
3,572,623	A *	3/1971	Lapp	248/72
D226,799	S	5/1973	Rumble	
D226,800	S	5/1973	Rumble	
D226,801	S	5/1973	Rumble	
D231,599	S	5/1974	Rumble	
D235,731	S	7/1975	Hubuda	
3,894,730	A	7/1975	Reiter	
3,958,825	A	5/1976	Diamond	
3,963,230	A	6/1976	Jankowski, Jr.	
4,019,705	A *	4/1977	Habuda et al.	248/72
D267,625	S *	1/1983	Dark	D8/73
4,397,437	A	8/1983	Madej	
D358,971	S *	6/1995	Glynn	D8/73

D365,512	S	12/1995	Mason	
D392,171	S *	3/1998	Miller	D8/72
D393,998	S *	5/1998	Anderson	D8/394
5,947,424	A *	9/1999	Heath	248/72
D443,493	S *	6/2001	Skeem	D8/72
D470,400	S *	2/2003	Fraser et al.	D8/396
D484,399	S *	12/2003	Arthur	D8/394
D523,329	S	6/2006	Klippel	
D551,528	S *	9/2007	Vautour	D8/72
D556,531	S *	12/2007	Allen	D8/72
2007/0181752	A1 *	8/2007	Shuey	248/72

OTHER PUBLICATIONS

Hilti Installation Systems, Copyright 1997.  
Universal Cast Beam Clamp, Dec. 17, 2001.  
Standard Throat Beam Clamp, Apr. 1, 1988, CHR International, Inc.

\* cited by examiner

*Primary Examiner*—Louis S Zarfaz  
*Assistant Examiner*—David G Muller  
(74) *Attorney, Agent, or Firm*—Plager Law Offices PC

(57) **CLAIM**

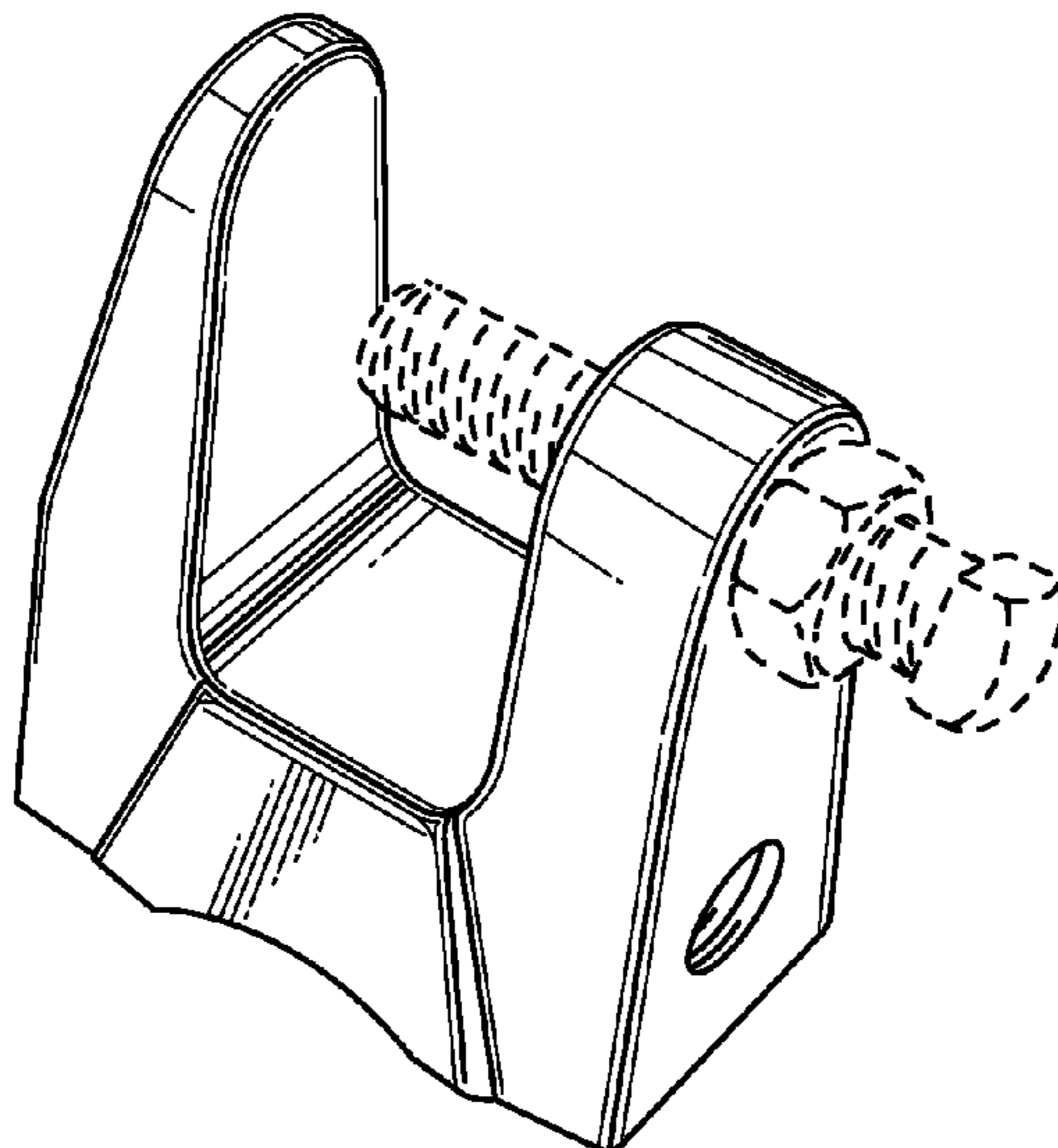
An ornamental design for a beam clamp, as shown and described.

**DESCRIPTION**

FIG. 1 is a perspective view of the front of the beam clamp.  
FIG. 2 is a front elevation view thereof;  
FIG. 3 is a right side elevation view thereof;  
FIG. 4 is a left side elevation thereof;  
FIG. 5 is a bottom plan view thereof;  
FIG. 6 is top plan view thereof; and,  
FIG. 7 is a rear elevation view thereof.

The broken line showing of parts of the drawings is included for the purpose of illustrating use and environment and forms no part of the claimed design.

**1 Claim, 2 Drawing Sheets**



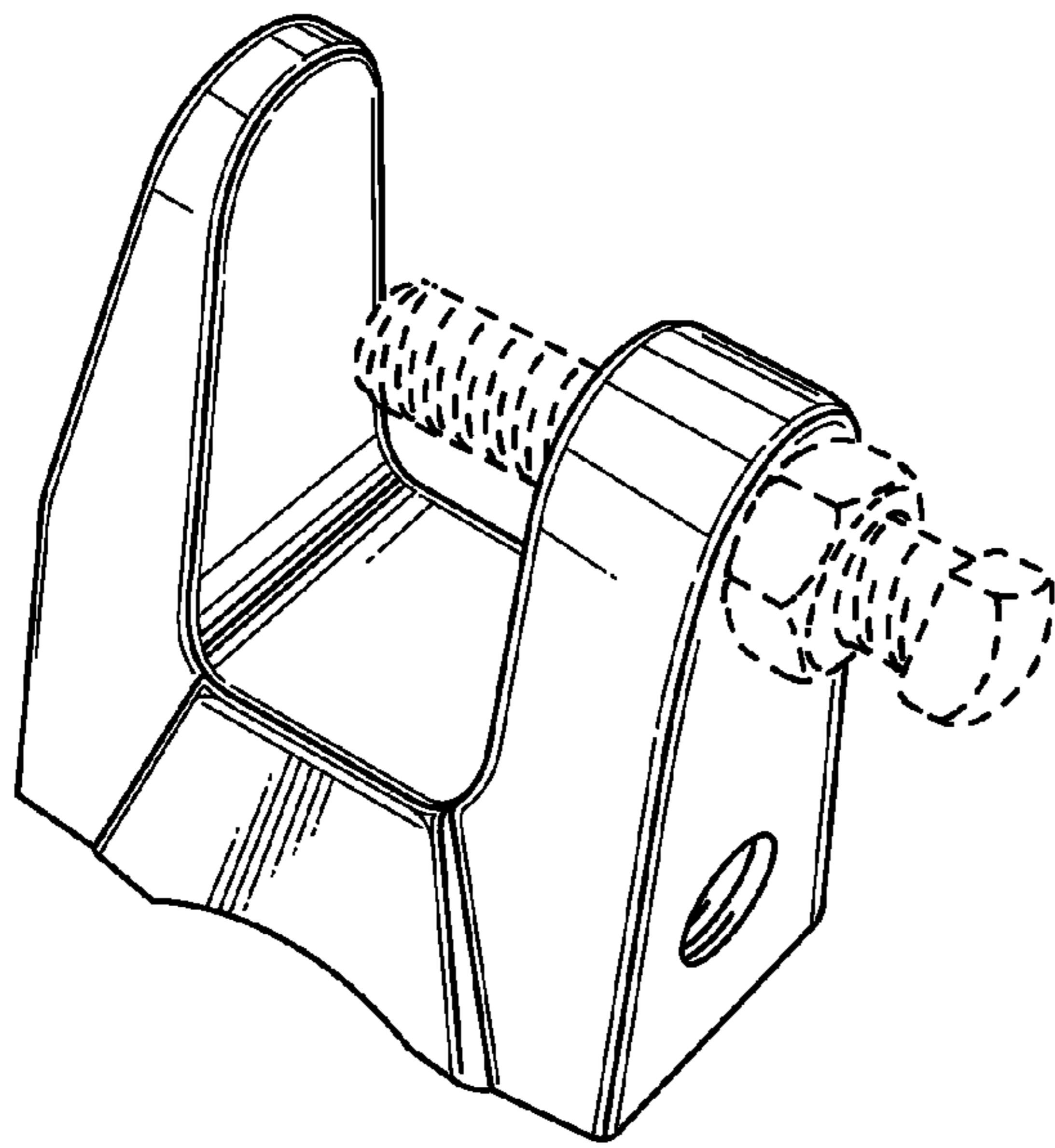


Fig. 1

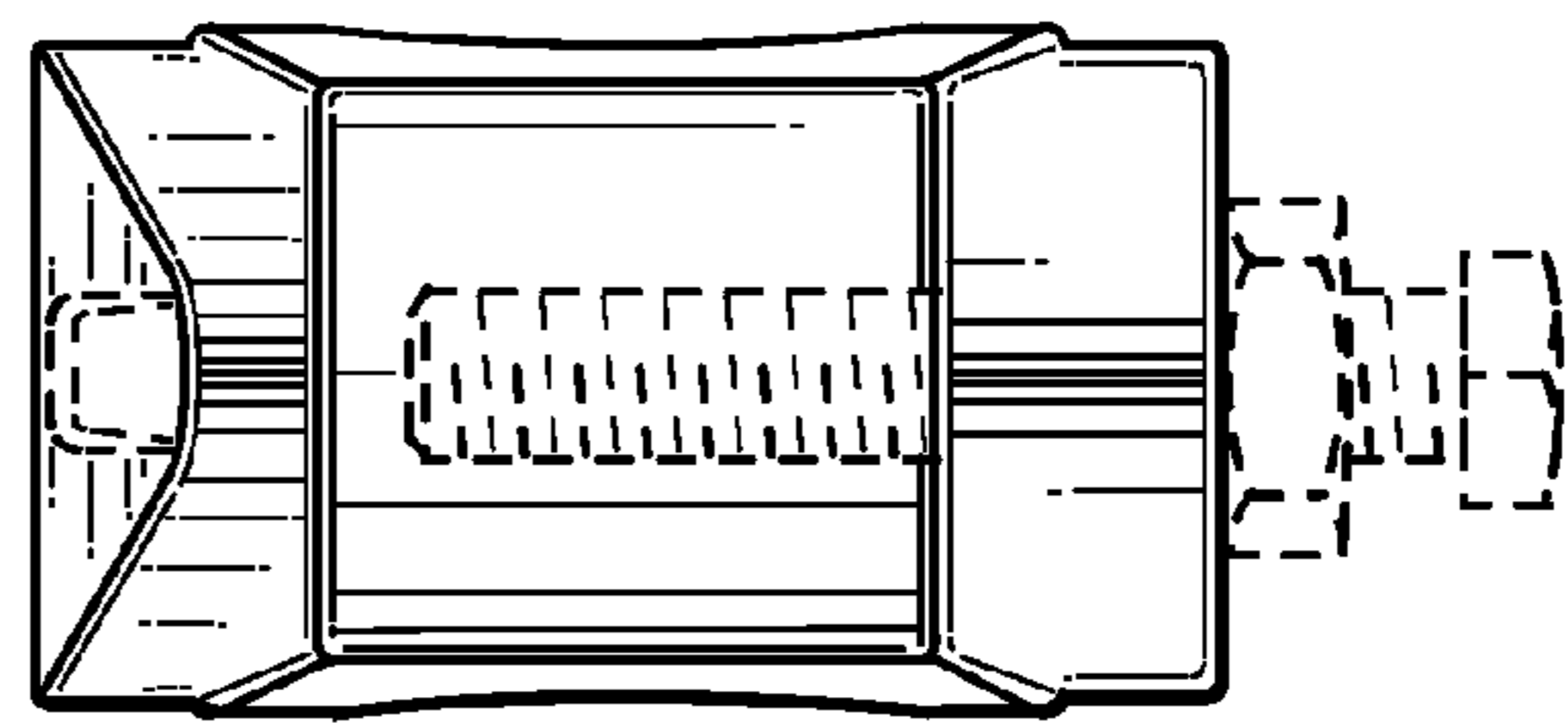


Fig. 2

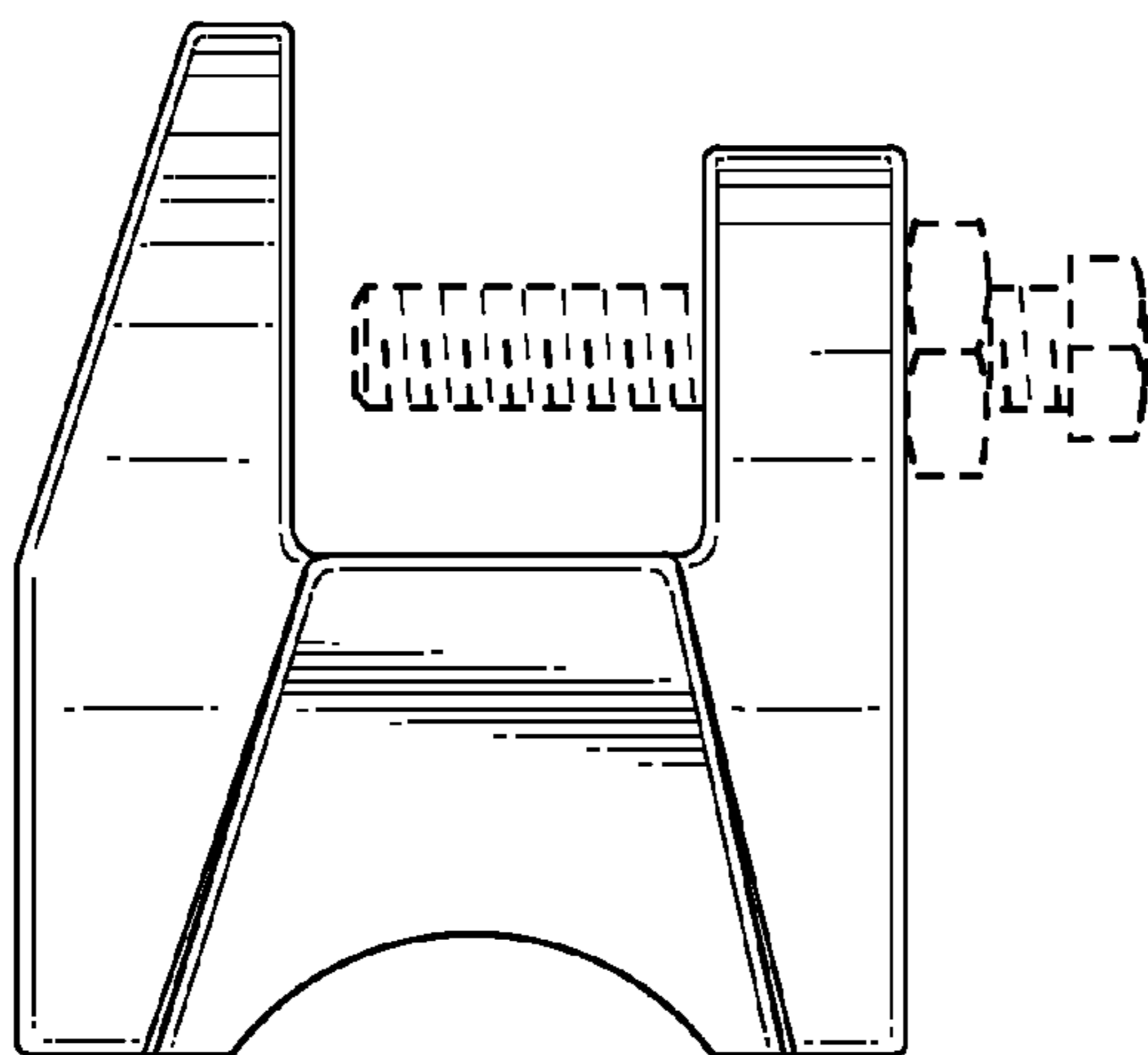


Fig. 3

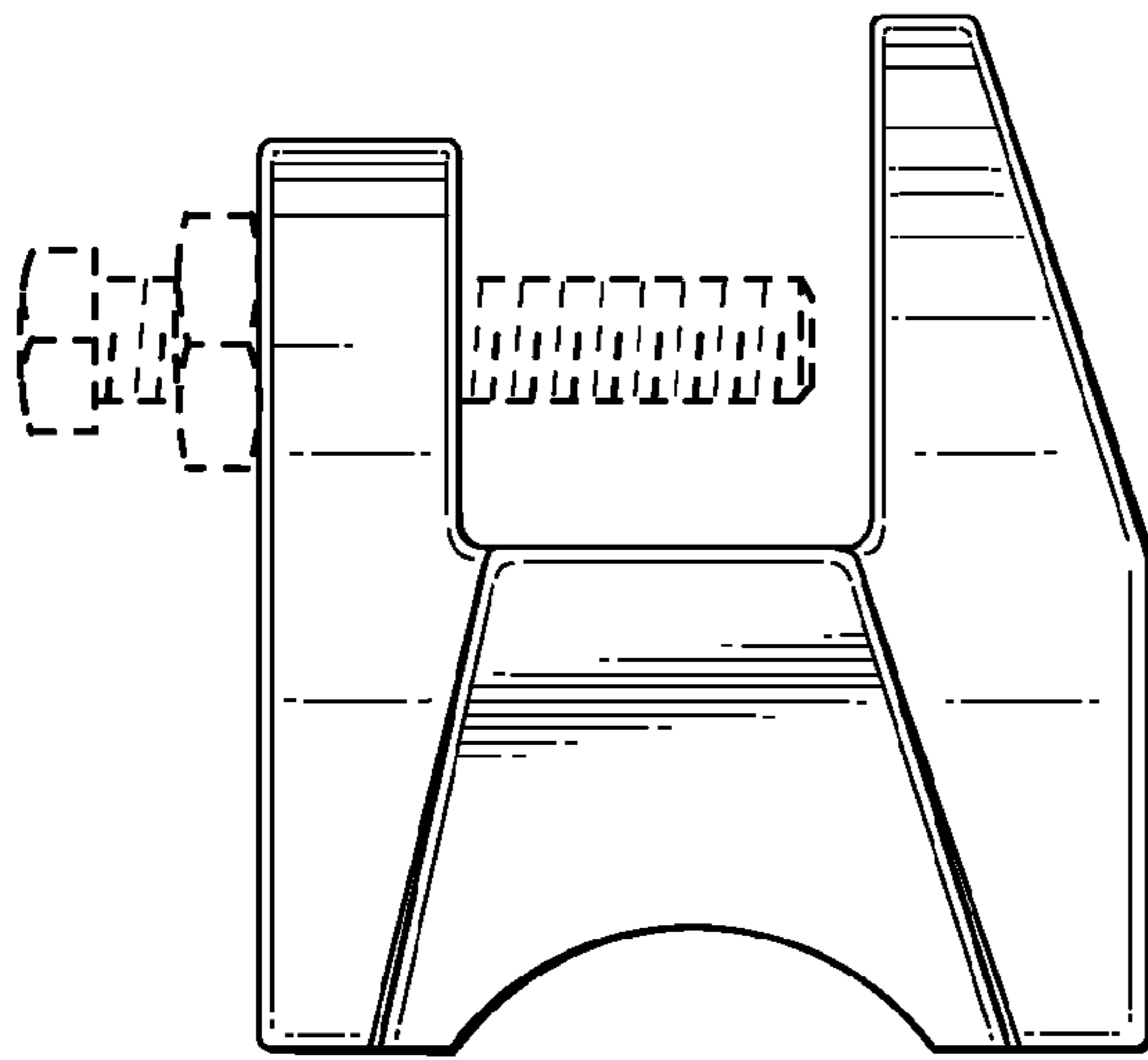


Fig. 4

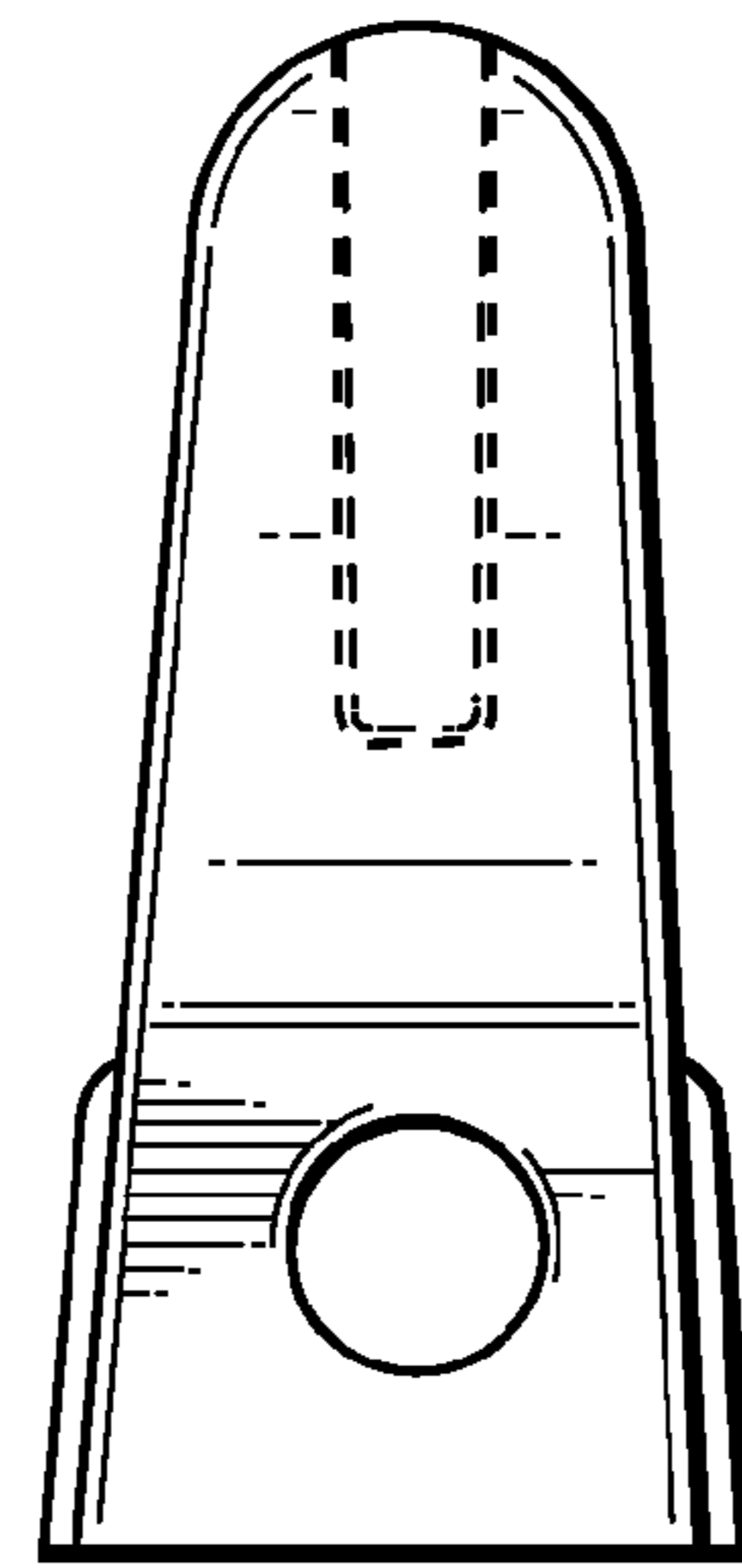


Fig. 5

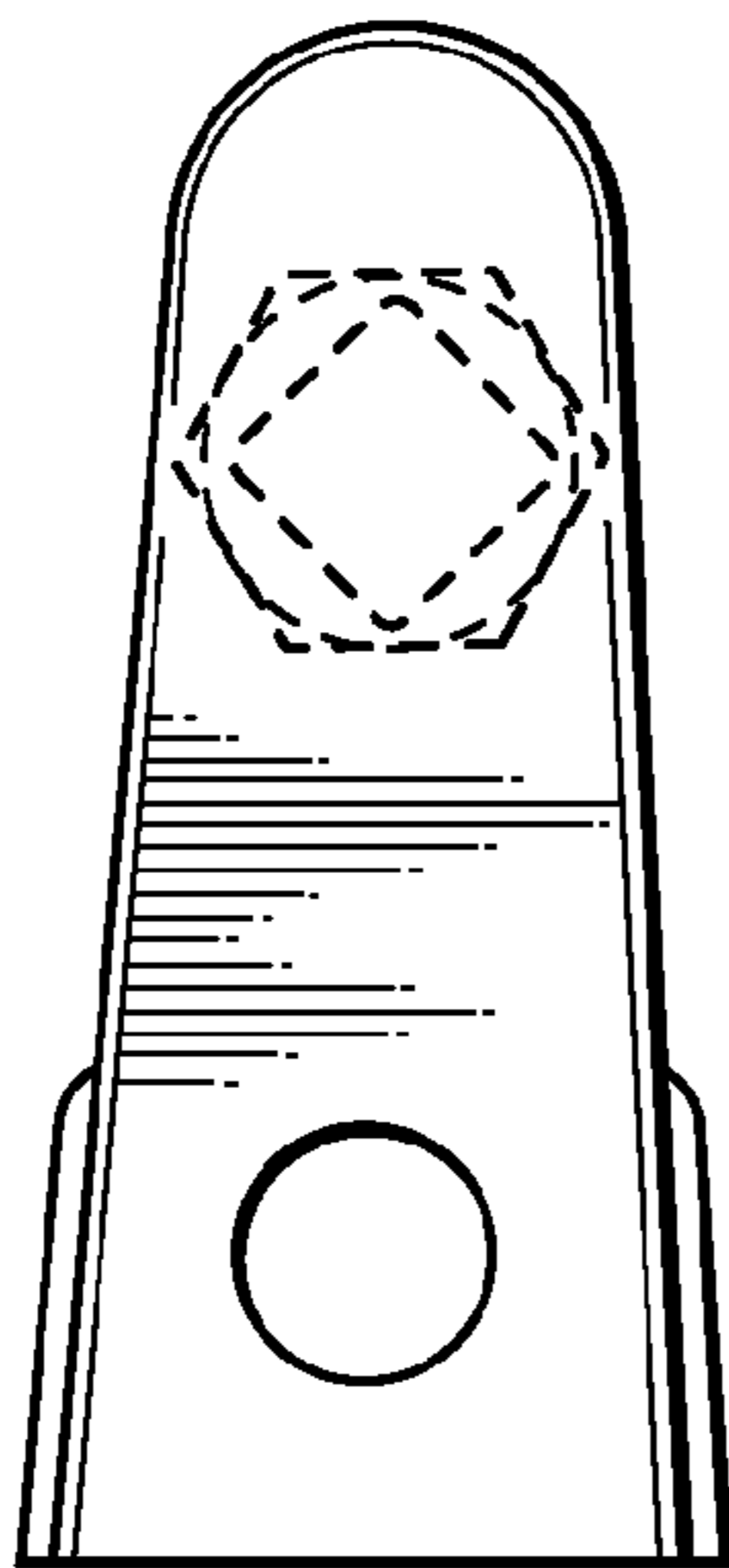


Fig. 6

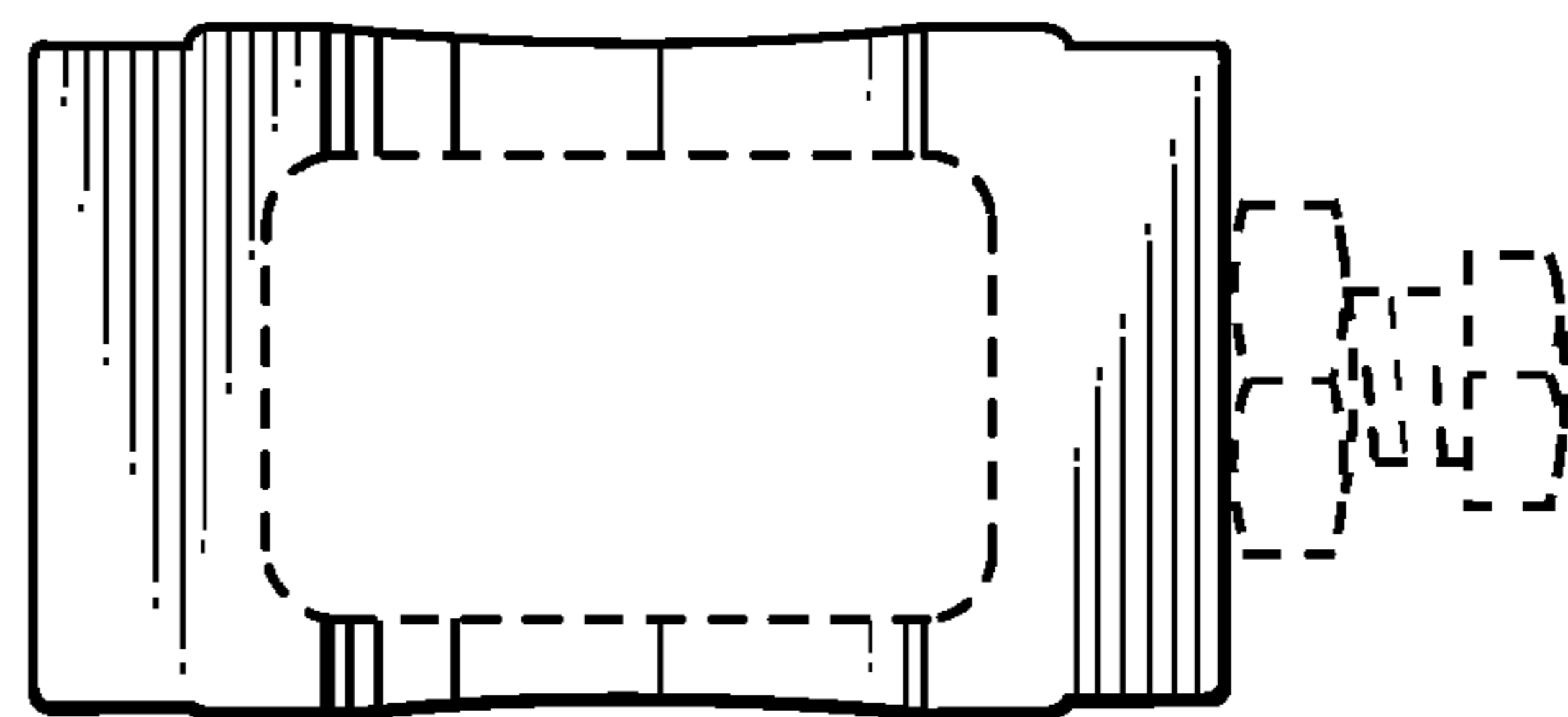


Fig. 7