



US00D583639S

(12) **United States Design Patent**
Axinte et al.

(10) **Patent No.:** **US D583,639 S**
(45) **Date of Patent:** **** Dec. 30, 2008**

(54) **LIQUID DISPENSING APPARATUS**

4,493,972 A 1/1985 Steinel et al.
4,523,705 A 6/1985 Belanger et al.
4,637,745 A 1/1987 Speisebecher et al.

(75) Inventors: **Grigore Axinte**, Kent, WA (US); **Russell Borgmann**, Bellevue, WA (US); **Stephen Klein**, Bothell, WA (US); **Billy Liu**, Kowloon Bay (HK); **Amanda Wu**, Seattle, WA (US)

(Continued)

FOREIGN PATENT DOCUMENTS

GB 2028687 3/1980

(Continued)

(73) Assignee: **Hyperion Innovations, Inc.**, Bellevue, WA (US)

OTHER PUBLICATIONS

(**) Term: **14 Years**

Fuli Electronic Tool, LLC, New Style Charger Hot Melt Glue Gun, date unknown, (1 page).

(21) Appl. No.: **29/273,228**

Primary Examiner—Philip S Hyder

(22) Filed: **Mar. 1, 2007**

(74) *Attorney, Agent, or Firm*—Perkins Coie LLP

(57) **CLAIM**

Related U.S. Application Data

The ornamental design for a liquid dispensing apparatus, as shown and described.

(63) Continuation of application No. 29/217,736, filed on Nov. 18, 2004, now Pat. No. Des. 541,121.

DESCRIPTION

(51) **LOC (8) Cl.** **08-05**

FIG. 1 is a front perspective view of the embodiment of a liquid dispensing apparatus;

(52) **U.S. Cl.** **D8/30; D8/14.1**

FIG. 2 is a rear perspective view of the liquid dispensing apparatus of FIG. 1;

(58) **Field of Classification Search** D8/14.1, D8/30; 401/2; 219/221, 227, 229, 242; 222/146.1, 222/146.5; 239/390, 397

FIG. 3 is a top view of the liquid dispensing apparatus of FIG. 1;

See application file for complete search history.

FIG. 4 is a side elevational view of the liquid dispensing apparatus of FIG. 1;

(56) **References Cited**

FIG. 5 is a side elevational view of the liquid dispensing apparatus of FIG. 1 taken from the side opposite that of FIG. 4;

U.S. PATENT DOCUMENTS

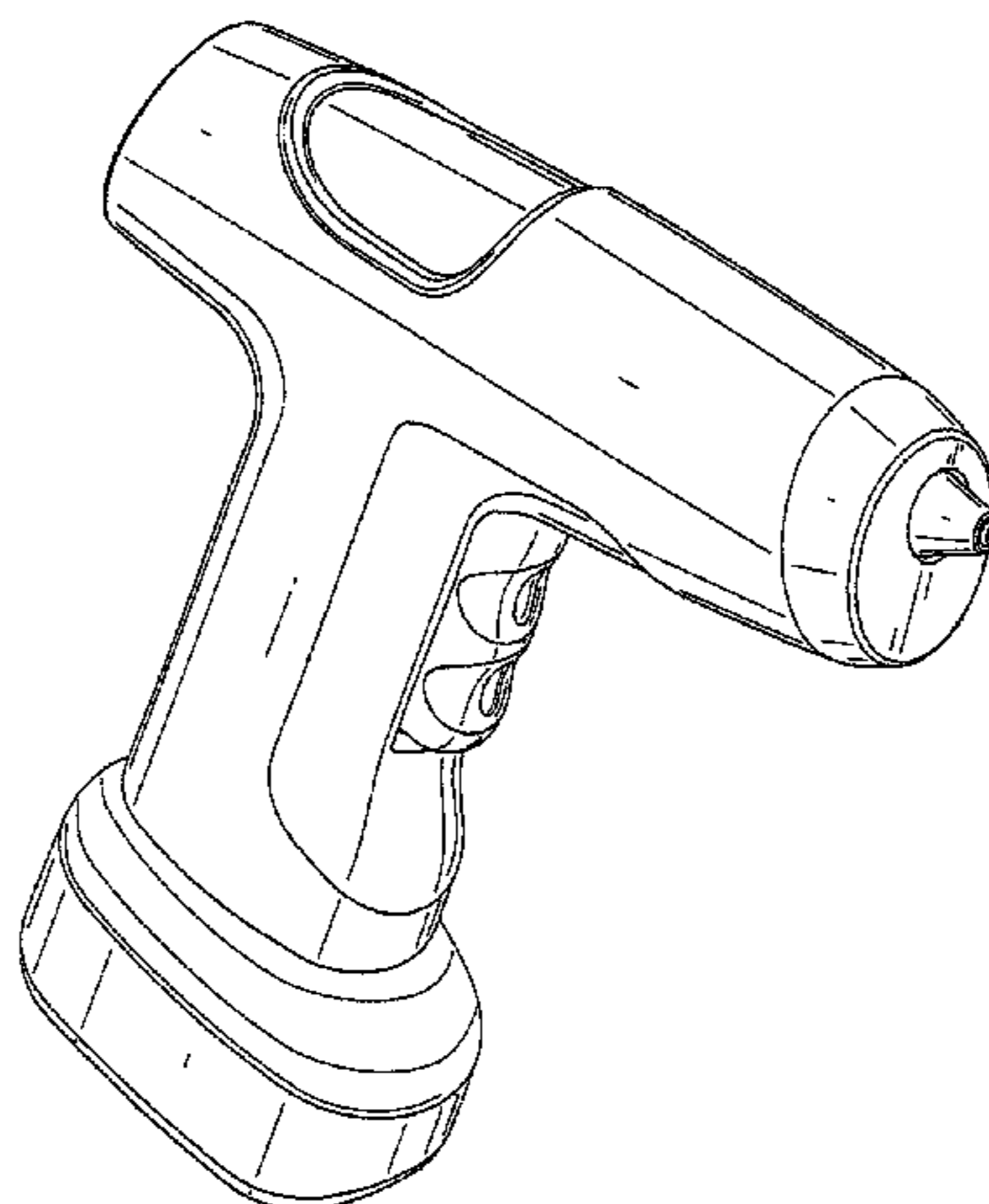
2,396,799 A 3/1946 McCully
3,298,572 A 1/1967 Newton
3,404,061 A 10/1968 Shane et al.
3,719,608 A 3/1973 Olstowski
3,743,142 A 7/1973 Elliot et al.
4,032,046 A 6/1977 Elliott et al.
4,059,204 A 11/1977 Duncan et al.
4,250,397 A 2/1981 Gray et al.
4,289,257 A 9/1981 Herb et al.
4,320,857 A 3/1982 Herb et al.
4,378,076 A 3/1983 Stirnweiss

FIG. 6 is a bottom view of the liquid dispensing apparatus of FIG. 1;

FIG. 7 is a front elevational view of the liquid dispensing apparatus of FIG. 1; and,

FIG. 8 is a rear elevational view of the liquid dispensing apparatus of FIG. 1.

1 Claim, 5 Drawing Sheets



US D583,639 S

Page 2

U.S. PATENT DOCUMENTS

4,639,155	A	1/1987	Schuster et al.
4,642,158	A	2/1987	Steinel et al.
4,692,587	A	9/1987	Spirk, Jr. et al.
4,752,670	A	6/1988	Traub et al.
4,776,490	A	10/1988	Wingert
4,815,636	A	3/1989	Stede et al.
4,826,049	A	5/1989	Speer
4,883,942	A	11/1989	Robak, Sr. et al.
4,949,881	A	8/1990	Watananbe et al.
4,951,846	A	8/1990	Oster et al.
5,026,187	A	6/1991	Belanger et al.
5,026,188	A	6/1991	Capodiecici
5,041,482	A	8/1991	Ornsteen et al.
5,215,230	A	6/1993	Lee
5,236,269	A	8/1993	Handy
5,362,164	A	11/1994	Wingert
5,373,049	A	12/1994	Ornstern et al.
5,462,206	A	10/1995	Kwasie
5,553,758	A	9/1996	Melendy et al.
5,688,421	A	11/1997	Walton
5,895,159	A	4/1999	Liou
5,934,617	A	8/1999	Rutherford
5,960,996	A	10/1999	Hsu
6,056,165	A	5/2000	Speranza
6,065,888	A	5/2000	Maayeh
6,105,824	A	8/2000	Singleton
6,119,681	A	9/2000	Lilke
6,142,207	A	11/2000	Richardot
6,158,624	A	12/2000	Grigg et al.

6,194,685	B1	2/2001	Rutherford
6,237,874	B1	5/2001	Rutherford et al.
6,276,856	B1	8/2001	Pieper et al.
6,330,986	B1	12/2001	Rutherford et al.
6,345,776	B1	2/2002	Hurry et al.
6,412,662	B1	7/2002	Bryan et al.
6,449,870	B1	9/2002	Perez et al.
6,460,736	B1	10/2002	D'Agostino
6,558,059	B1	5/2003	Hillinger et al.
6,646,228	B2	11/2003	Axinte et al.
6,747,251	B1	6/2004	Belanger
6,797,924	B1	9/2004	Axinte et al.
6,831,252	B1	12/2004	Crookshanks
6,891,130	B2	5/2005	Evanyk
D505,845	S *	6/2005	Lin et al. D8/14.1
D510,243	S	10/2005	Lee
D514,406	S	2/2006	Lee
2001/0012448	A1	8/2001	Roberson
2003/0150875	A1	8/2003	Belanger
2003/0205566	A1	11/2003	Evanyk
2003/0208894	A1	11/2003	Rutherford et al.
2004/0086649	A1	5/2004	Rutherford et al.
2004/0149713	A1	8/2004	Axinte et al.

FOREIGN PATENT DOCUMENTS

GB	2199085	6/1988
GB	2215493	9/1989
GB	2263243	7/1993

* cited by examiner

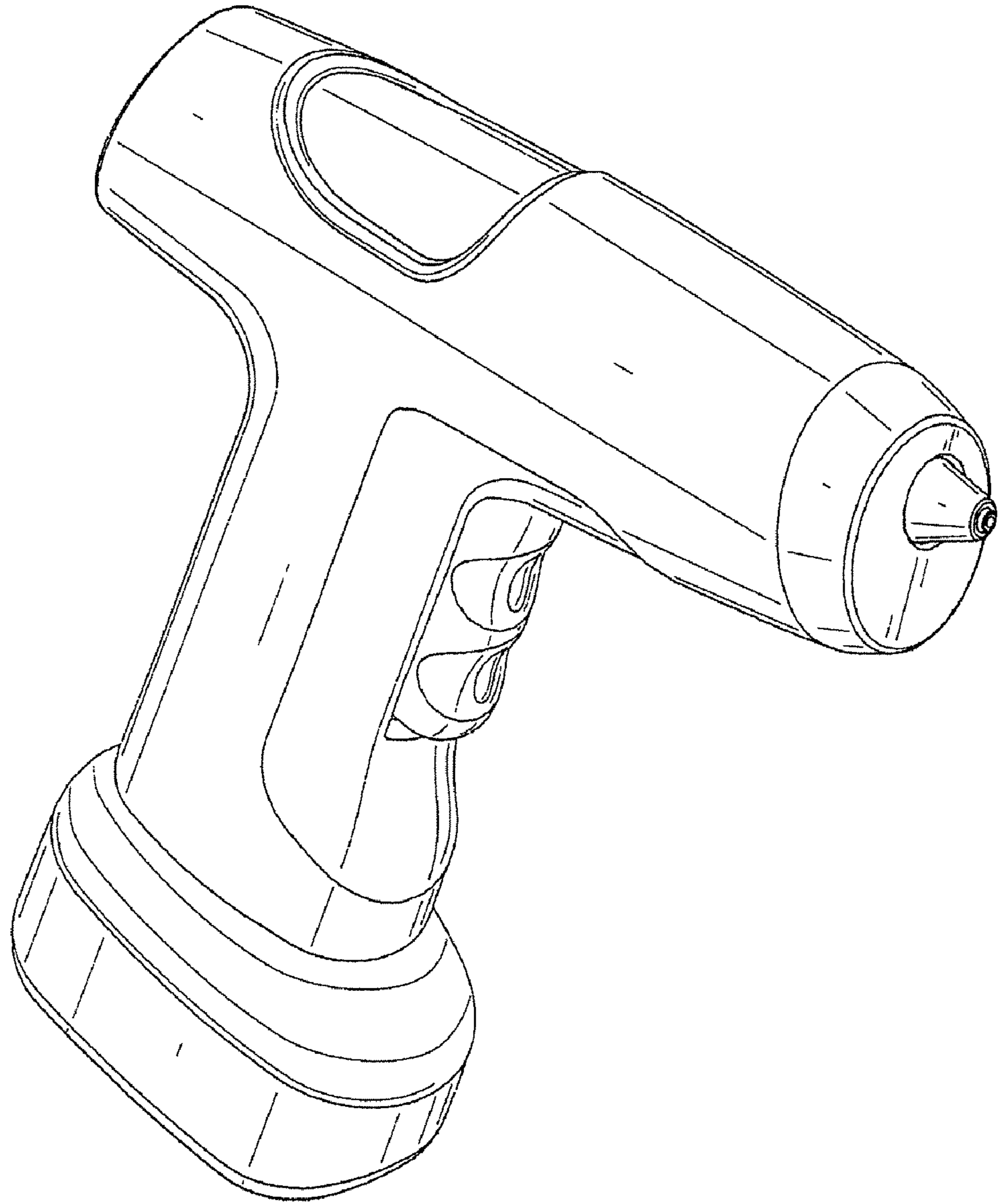


FIG. 1

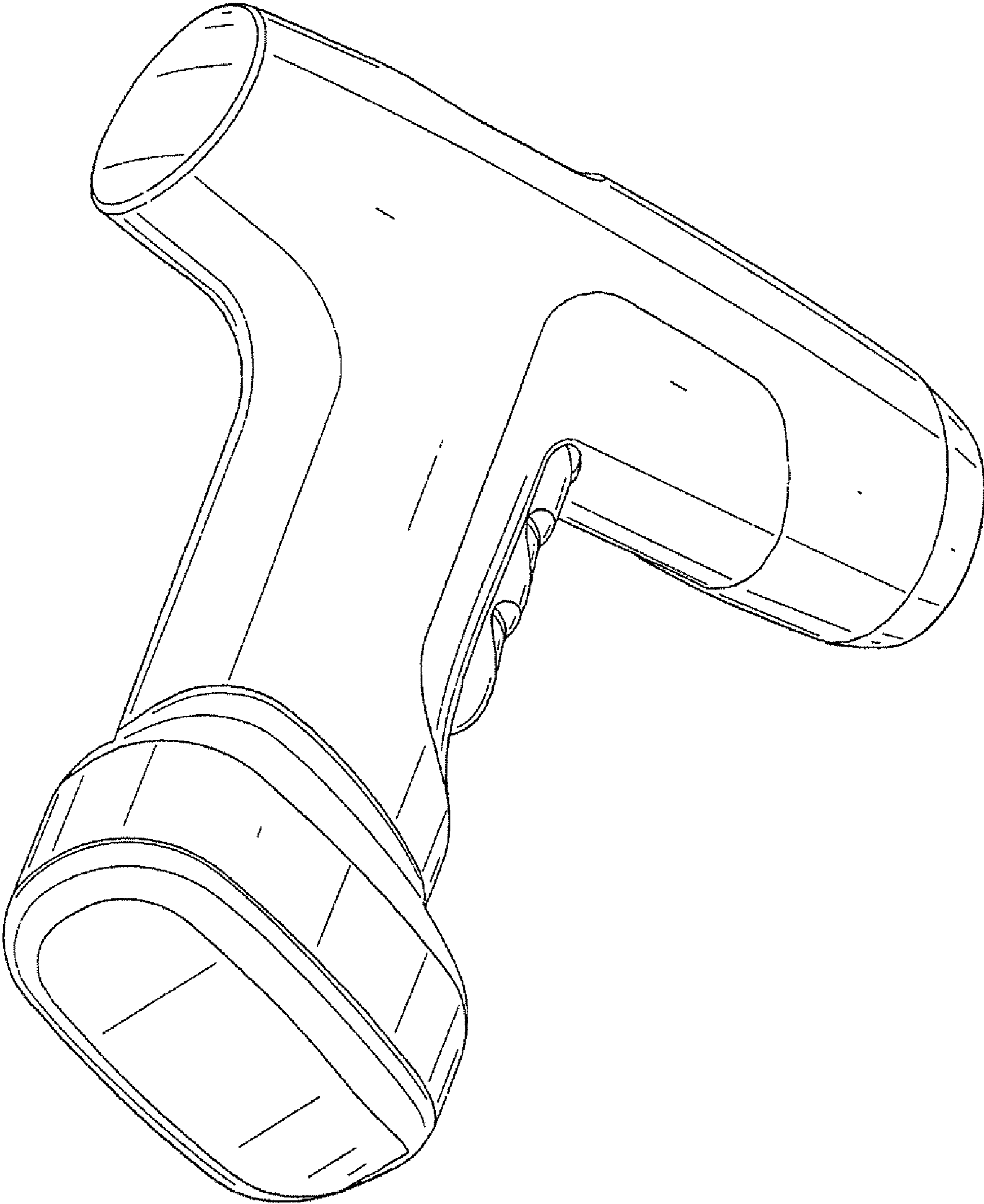


FIG. 2

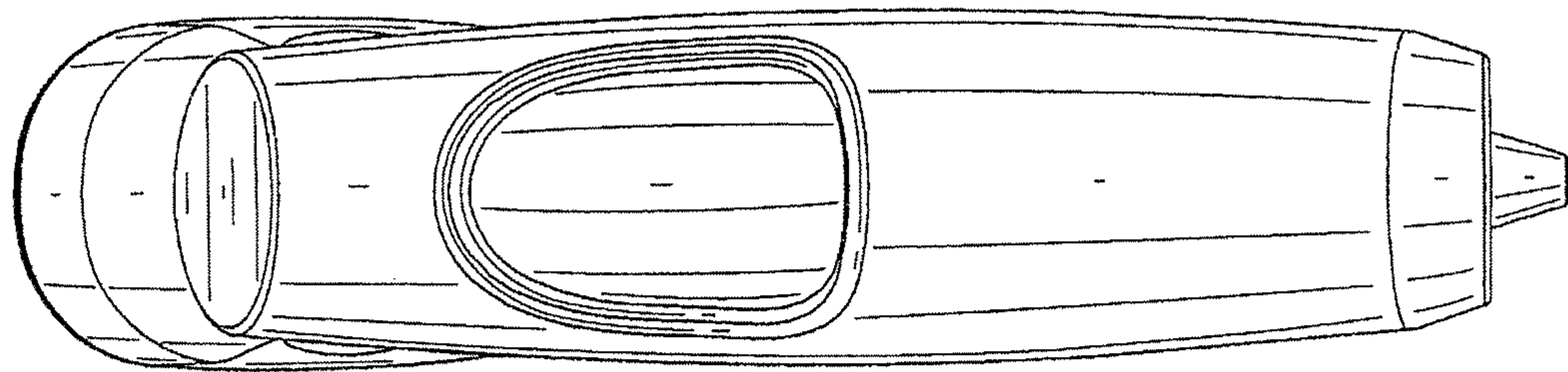


FIG. 3

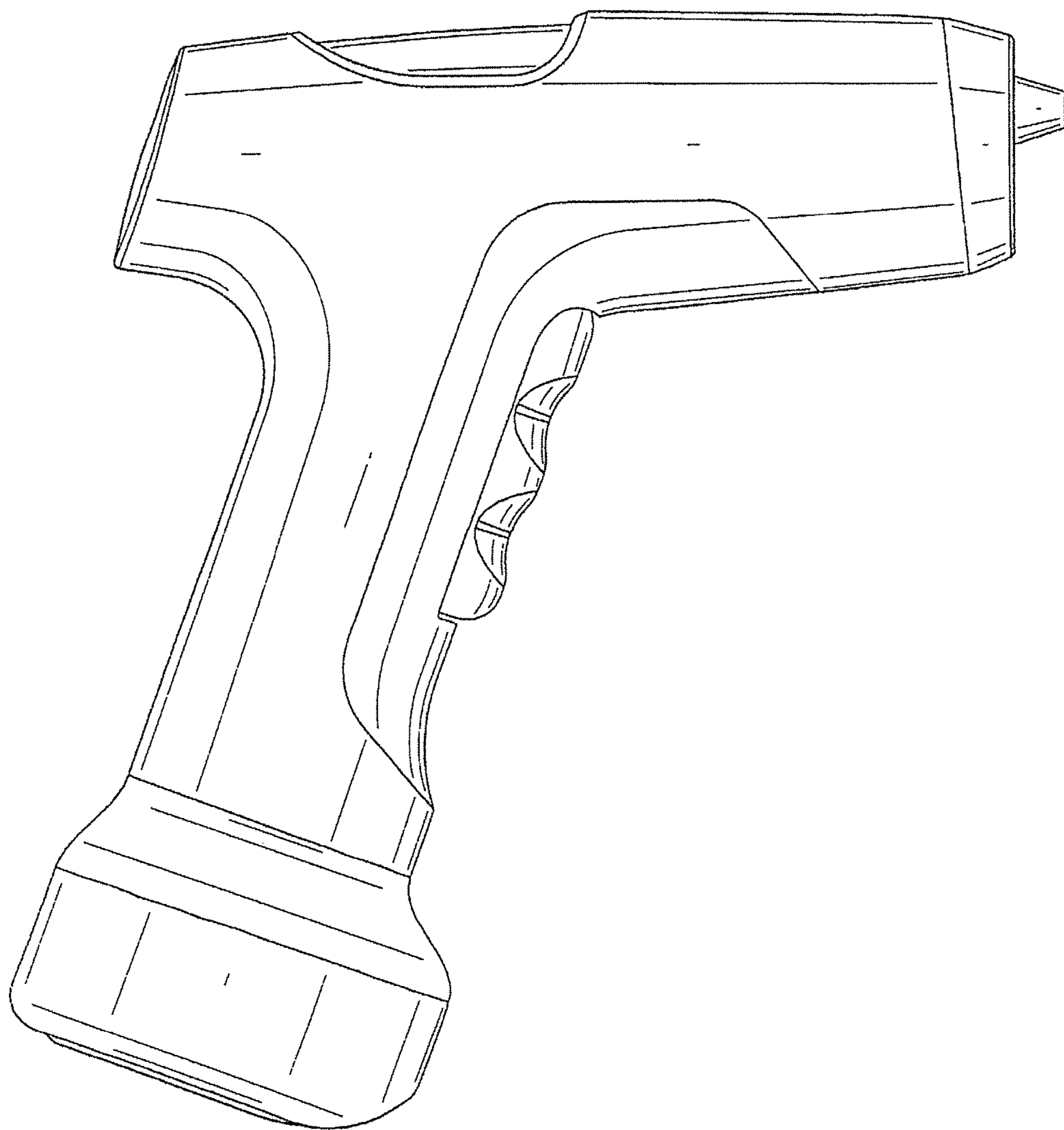


FIG. 4

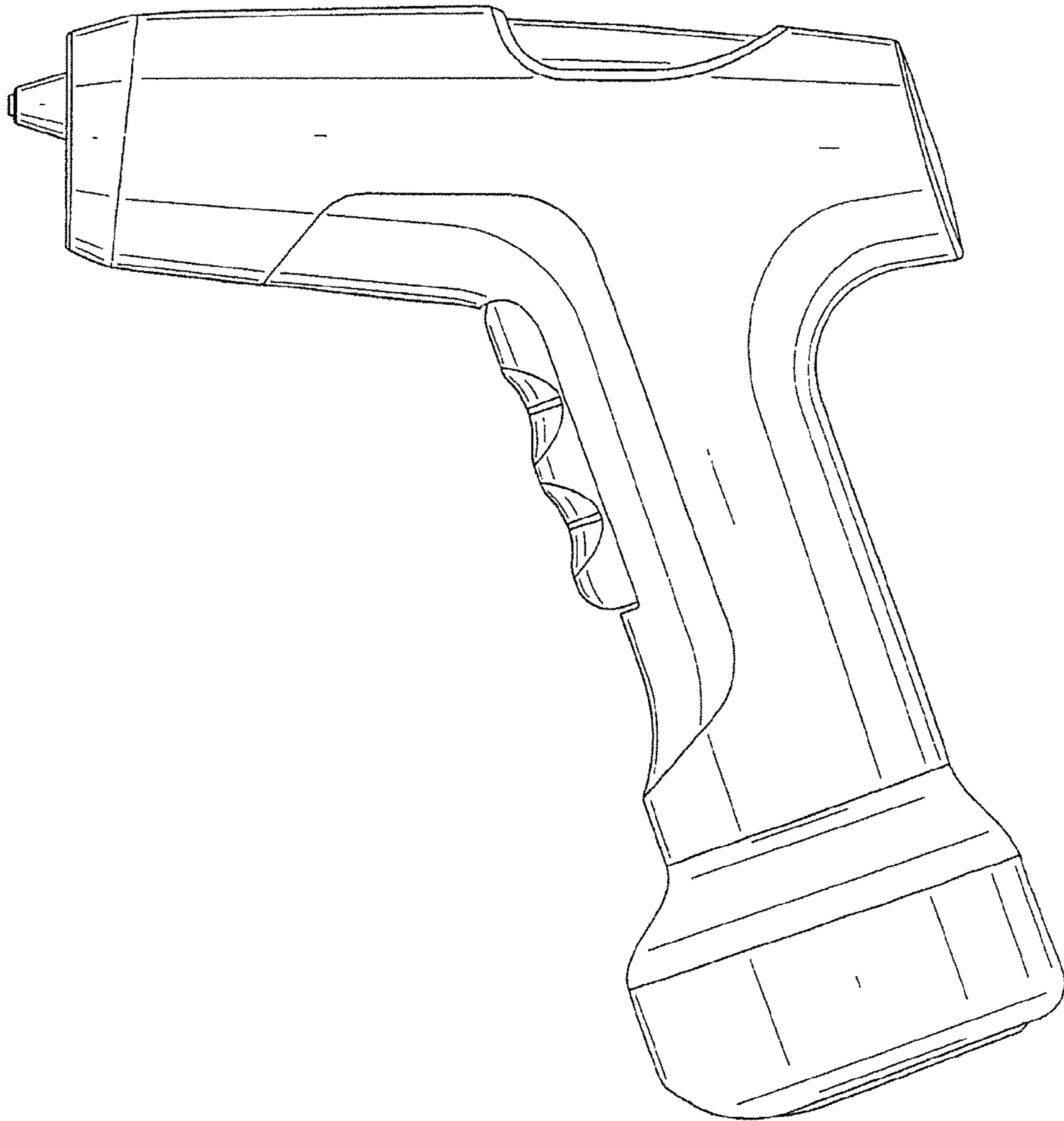


FIG. 5

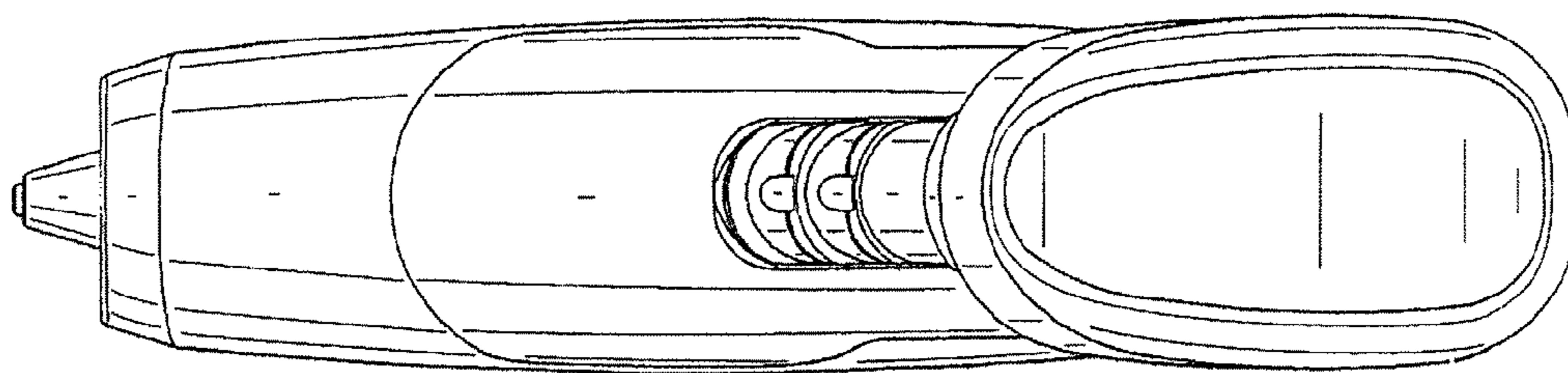


FIG. 6

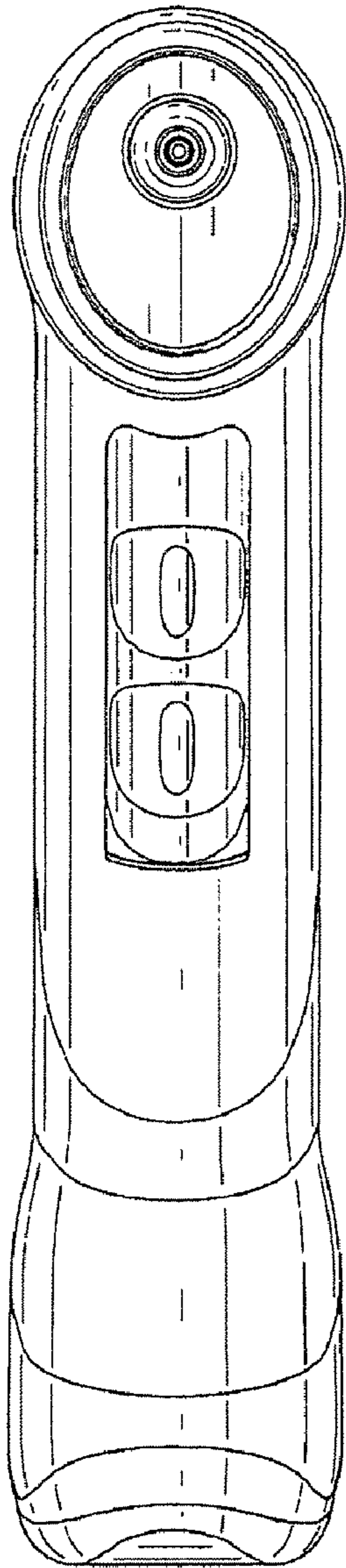


FIG. 7

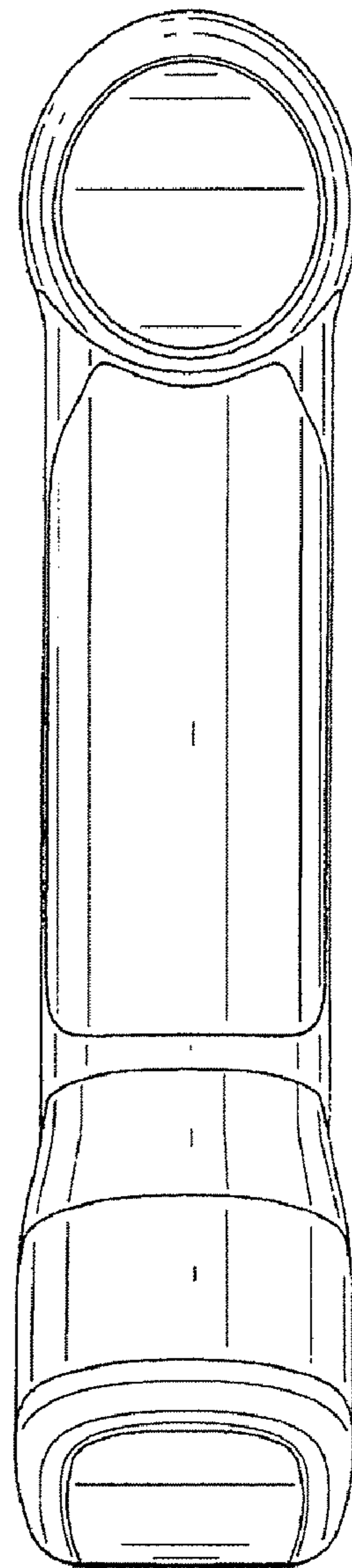


FIG. 8