



US00D583637S

(12) **United States Design Patent**
Phillips

(10) **Patent No.:** **US D583,637 S**

(45) **Date of Patent:** **** Dec. 30, 2008**

(54) **COIN GETTING SCOOP**

(76) Inventor: **Joseph D. Phillips**, 8411 109th St.
North, Seminole, FL (US) 33772

(**) Term: **14 Years**

(21) Appl. No.: **29/288,965**

(22) Filed: **Jun. 29, 2007**

(51) **LOC (8) Cl.** **08-05**

(52) **U.S. Cl.** **D8/14**

(58) **Field of Classification Search** D8/1,
D8/14; 294/55; D99/34; 210/169; 16/430;
209/44, 419

See application file for complete search history.

(56) **References Cited**

U.S. PATENT DOCUMENTS

1,646,787	A *	10/1927	Elmenthaler	209/419
3,851,763	A	12/1974	Ball et al.		
3,924,115	A	12/1975	Hampton et al.		
3,976,564	A	8/1976	Holder		
3,979,146	A *	9/1976	Berg	209/418
4,162,967	A	7/1979	Girona, Jr.		
4,359,686	A	11/1982	Wherry		
4,653,790	A	3/1987	Kenney		
4,790,585	A	12/1988	Vernon et al.		
4,822,087	A *	4/1989	DeCarlo	294/1.1
4,828,690	A	5/1989	Montez		
4,979,623	A	12/1990	Flanagan		
4,983,281	A	1/1991	Montelione		
5,383,696	A *	1/1995	Speier	294/49
5,673,734	A	10/1997	Hawley		
5,716,087	A *	2/1998	Backich et al.	294/55
5,802,960	A *	9/1998	Graj et al.	99/403

5,848,697	A *	12/1998	Eash	209/419
5,992,306	A *	11/1999	Chiang	99/411
6,041,940	A	3/2000	Owings		
D486,290	S *	2/2004	Moncman	D99/34
6,698,064	B1 *	3/2004	Graj et al.	16/430
2004/0004363	A1 *	1/2004	Drewery	294/19.1

* cited by examiner

Primary Examiner—Philip S Hyder

(74) *Attorney, Agent, or Firm*—J. David Haynes

(57) **CLAIM**

The ornamental design for a coin getting scoop, as shown.

DESCRIPTION

A portion of the disclosure of this patent document contains material to which a claim for copyright is made. The copyright owner has no objection to the facsimile reproduction by anyone of the patent document or the patent disclosure, as it appears in the Patent and Trademark Office patent file or records, but reserves all other copyright rights whatsoever.

FIG. 1 is a front elevational view of the coin getting scoop, showing my new design;

FIG. 2 is a rear elevational view of the coin getting scoop;

FIG. 3 is a left side elevational view of the coin getting scoop;

FIG. 4 is a right side elevational view of the coin getting scoop;

FIG. 5 is a top view of the coin getting scoop as disclosed in FIG. 3; and,

FIG. 6 is bottom view of the coin getting scoop as disclosed in FIG. 3.

1 Claim, 3 Drawing Sheets

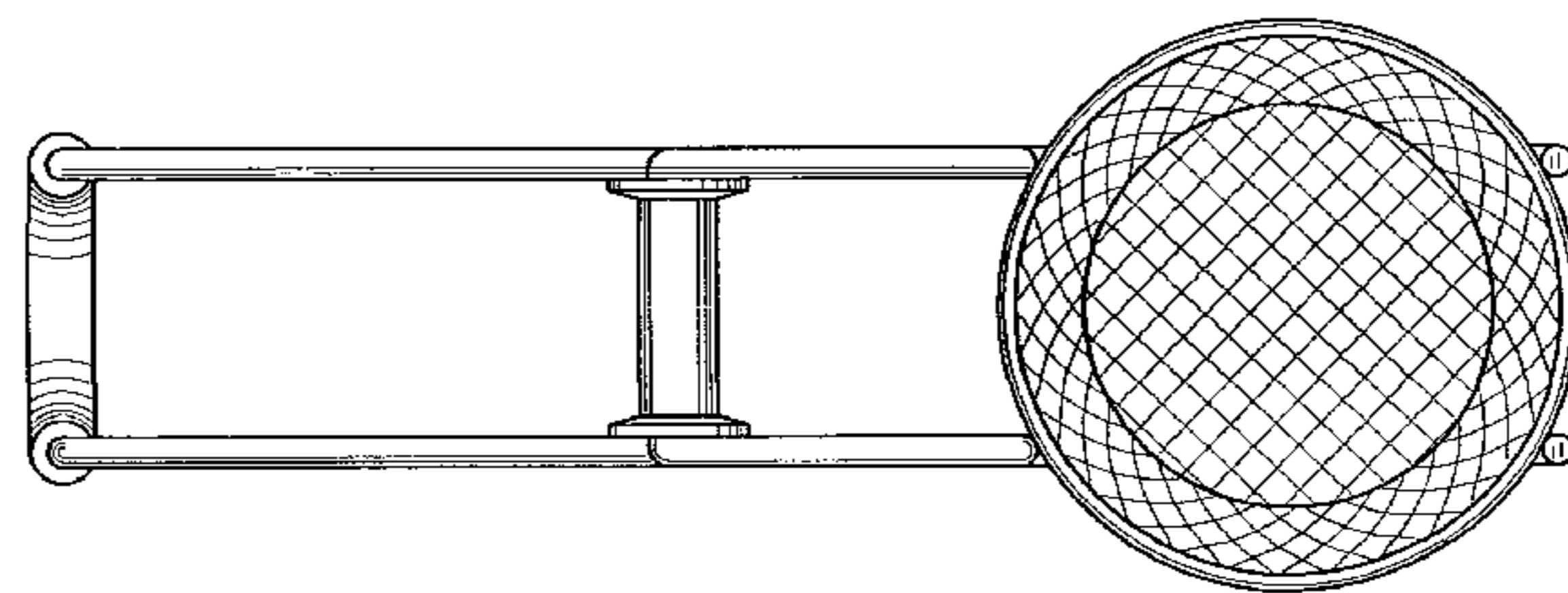
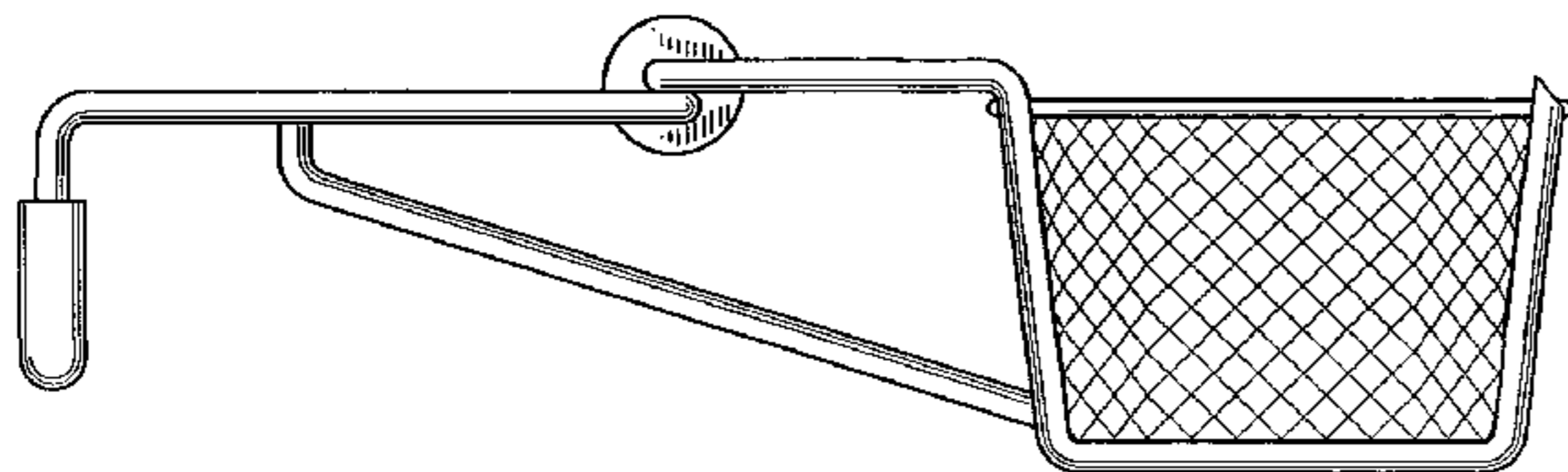


FIG. 1

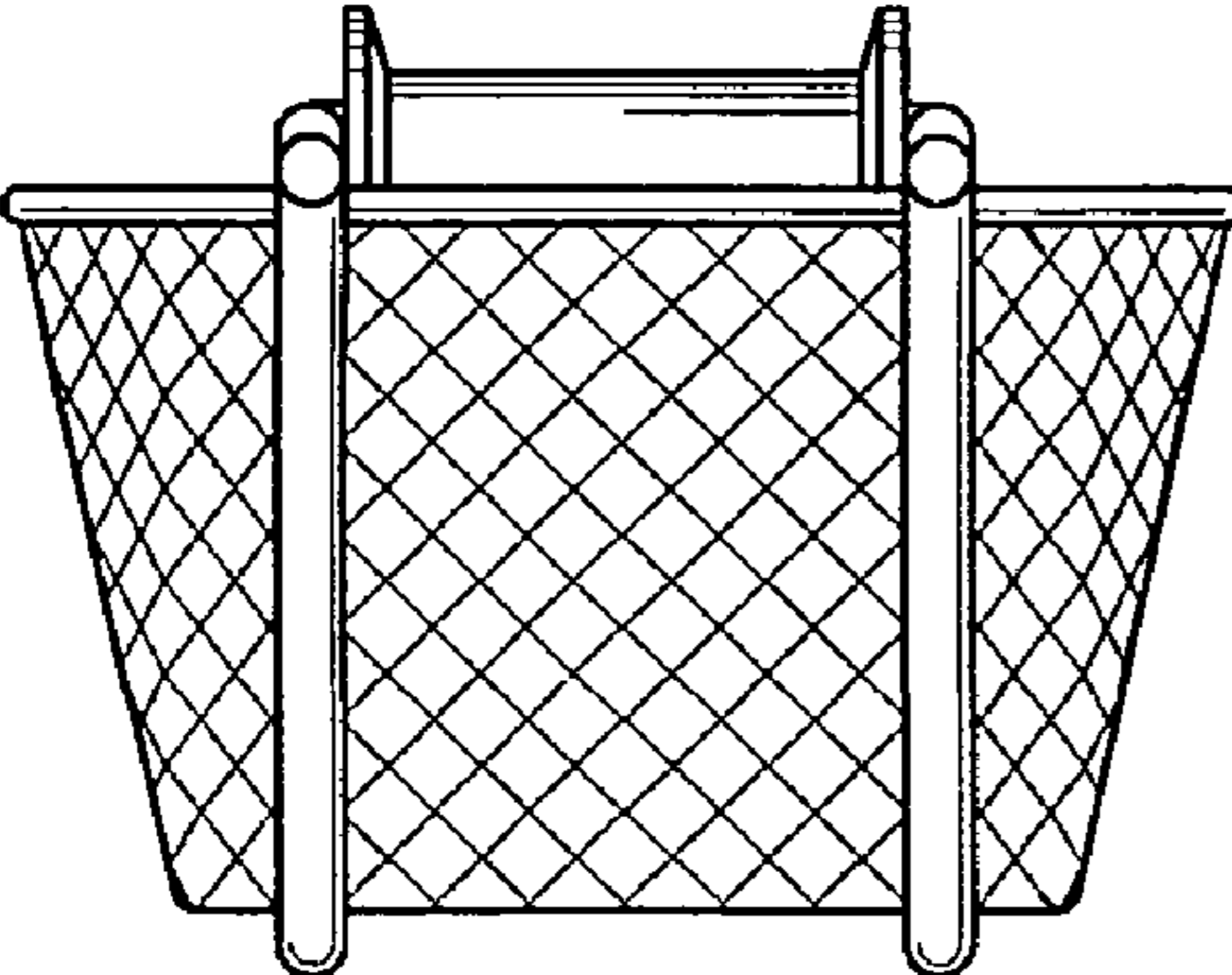


FIG. 2

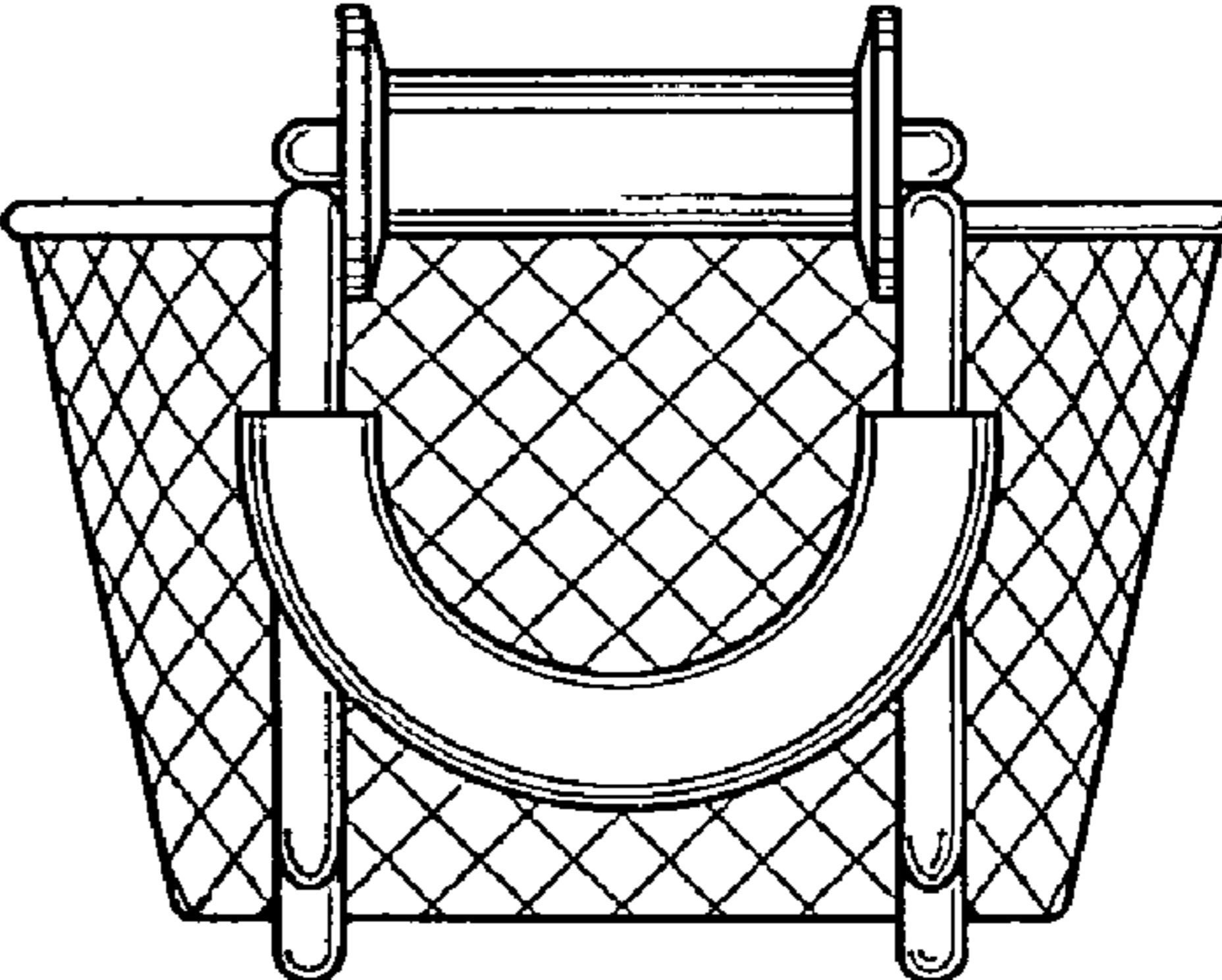


FIG. 3

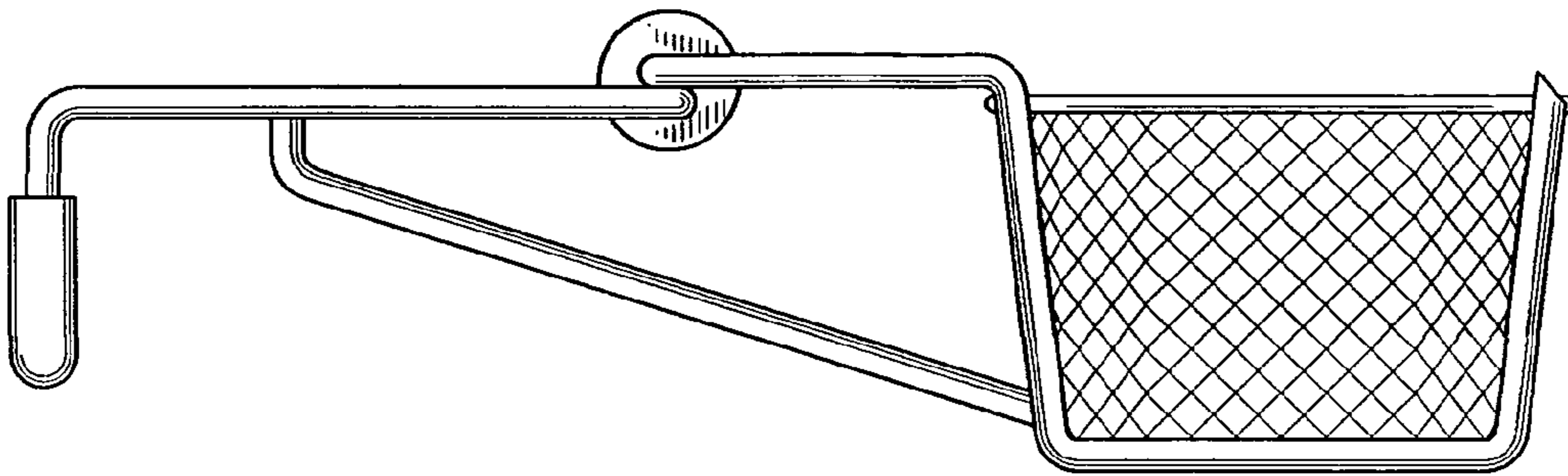


FIG. 4

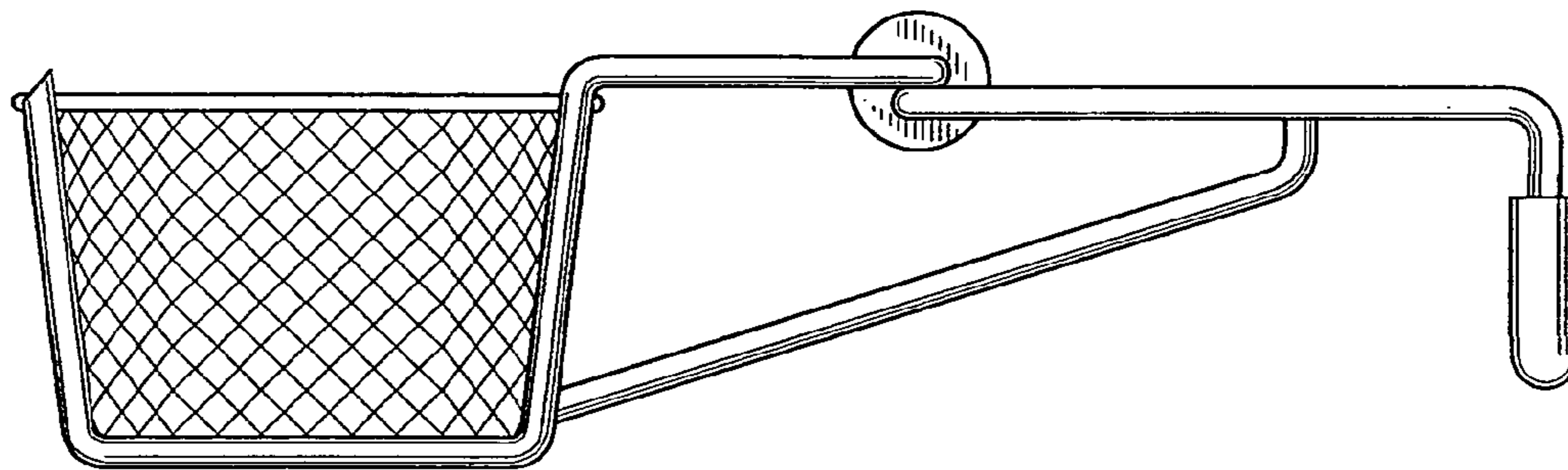


FIG. 5

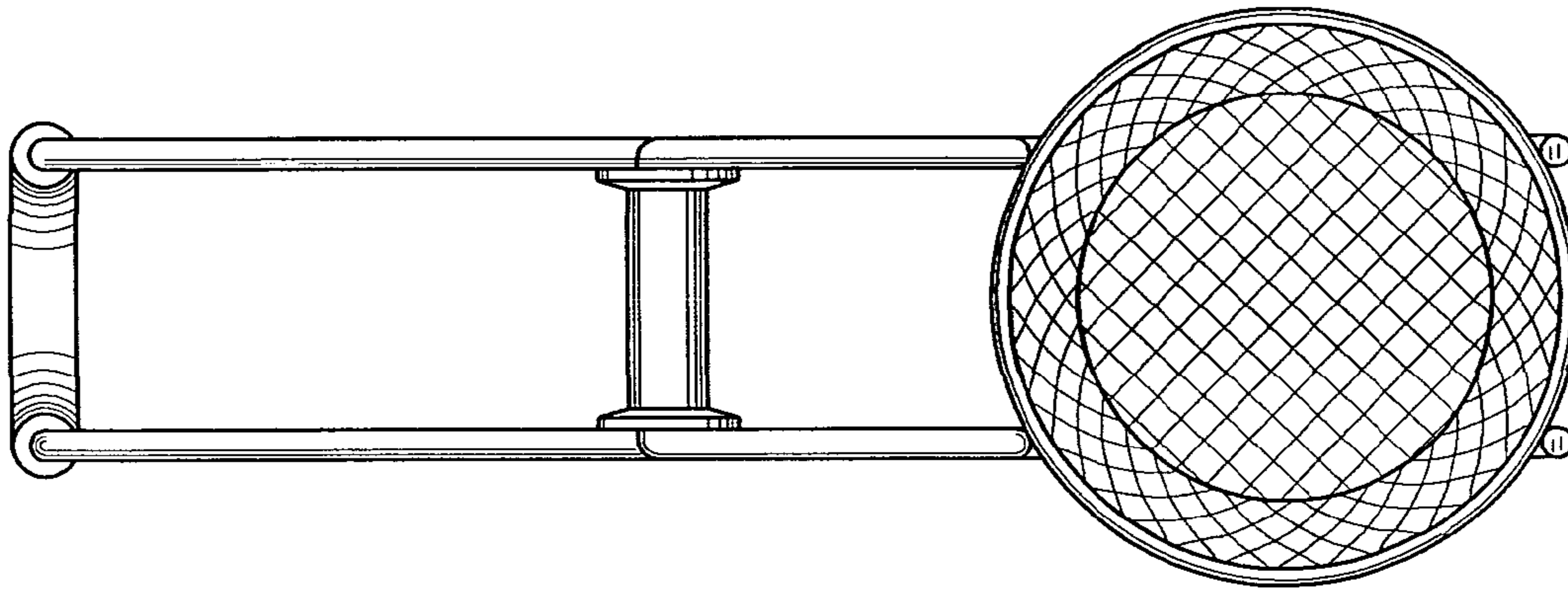


FIG. 6

