



US00D583635S

(12) **United States Design Patent**  
**Ikoma et al.**

(10) **Patent No.:** **US D583,635 S**  
(45) **Date of Patent:** **\*\* Dec. 30, 2008**

(54) **SCOOP**

5,918,922 A \* 7/1999 Lathrop et al. .... 294/55  
D460,328 S \* 7/2002 de Groote et al. .... D7/691

(75) Inventors: **Sayaka Ikoma**, Ashiya (JP); **Shin Hayashi**, Tsu (JP); **Teruhisa Hirano**, Kobe (JP)

\* cited by examiner

(73) Assignee: **The Procter & Gamble Company**, Cincinnati, OH (US)

*Primary Examiner*—Terry A Wallace  
(74) *Attorney, Agent, or Firm*—Idris N. McKelvey; Laura R. Grunzinger

(\*\*) Term: **14 Years**

(57) **CLAIM**

(21) Appl. No.: **29/291,022**

The ornamental design for a scoop, as shown and described.

(22) Filed: **Aug. 10, 2007**

**DESCRIPTION**

(51) **LOC (8) Cl.** ..... **07-02**

FIG. 1 is a perspective view of a scoop showing our new design, the broken lines showing the handle are for illustrative purposes only and form no part of the claimed design;

(52) **U.S. Cl.** ..... **D7/691**; D10/46.2

FIG. 2 is a front view thereof, the rear view being a mirror image;

(58) **Field of Classification Search** ..... D7/653–664,  
D7/691, 692; 73/426–429; 294/55; 30/324–328;  
D10/46.2, 46.3

FIG. 3 is a left side view thereof;

See application file for complete search history.

FIG. 4 is a right side view thereof;

(56) **References Cited**

FIG. 5 is a top plan view thereof;

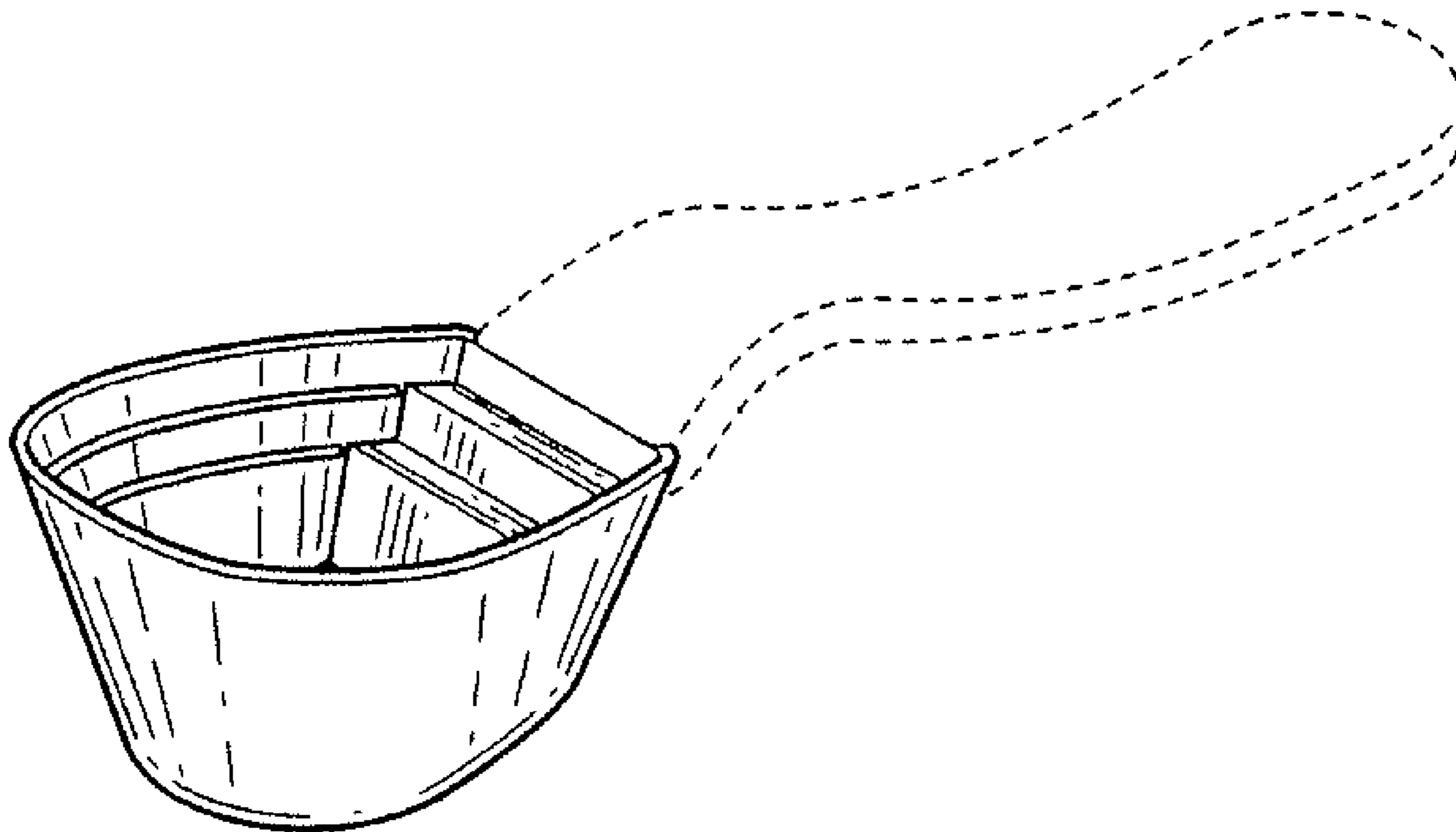
**U.S. PATENT DOCUMENTS**

FIG. 6 is a bottom plan view thereof; and,

- D91,251 S \* 12/1933 Rettich ..... D10/46.2
- D156,814 S \* 1/1950 Chester ..... D10/46.3
- D167,580 S \* 8/1952 McFarland ..... D10/46.2
- 3,195,782 A \* 7/1965 Eckley ..... 222/158
- D396,011 S \* 7/1998 Henriksson ..... D10/46.2

FIG. 7 is a cross section view thereof taken along line 7—7 of FIG. 4.

**1 Claim, 3 Drawing Sheets**



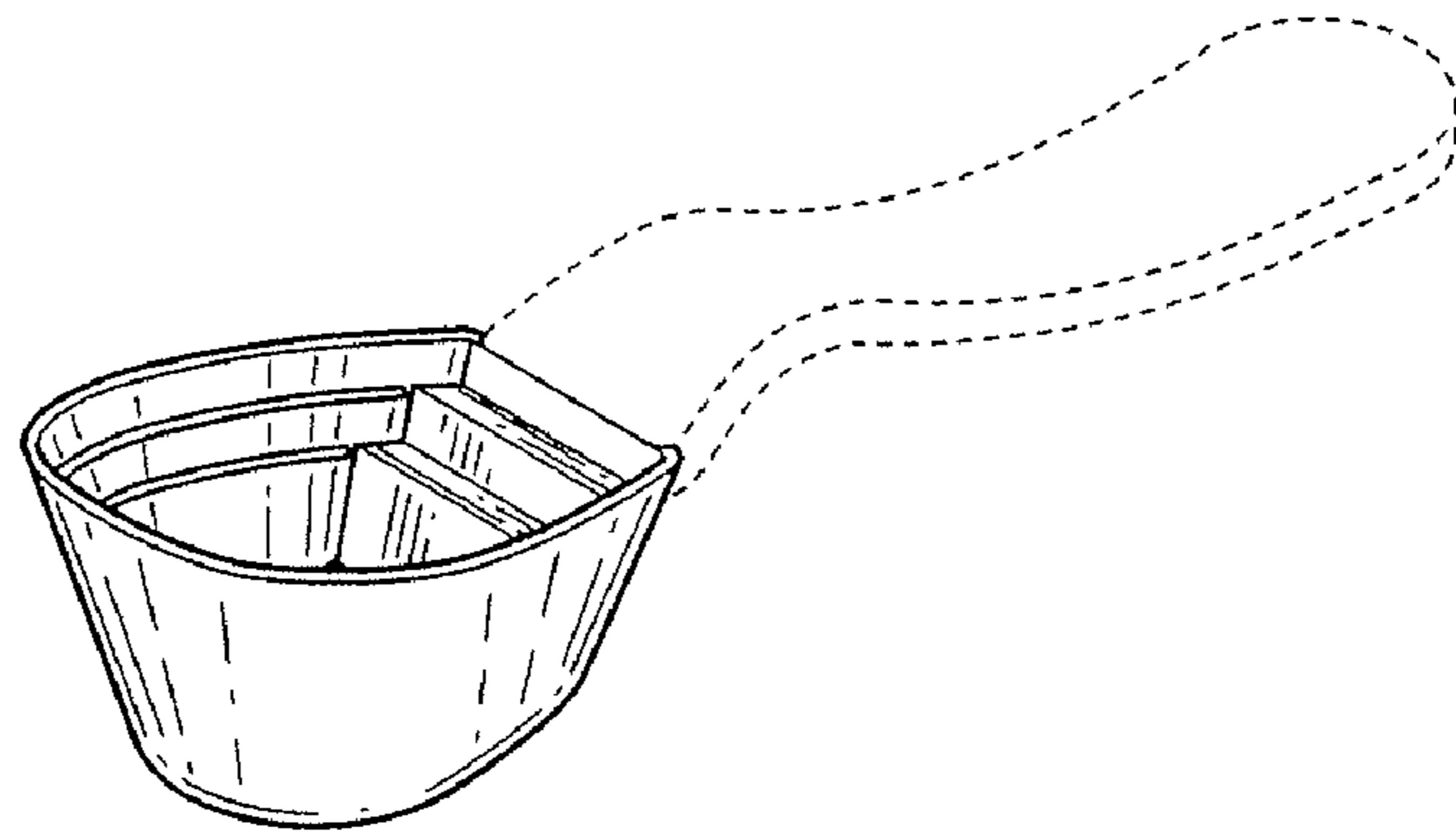


Fig. 1

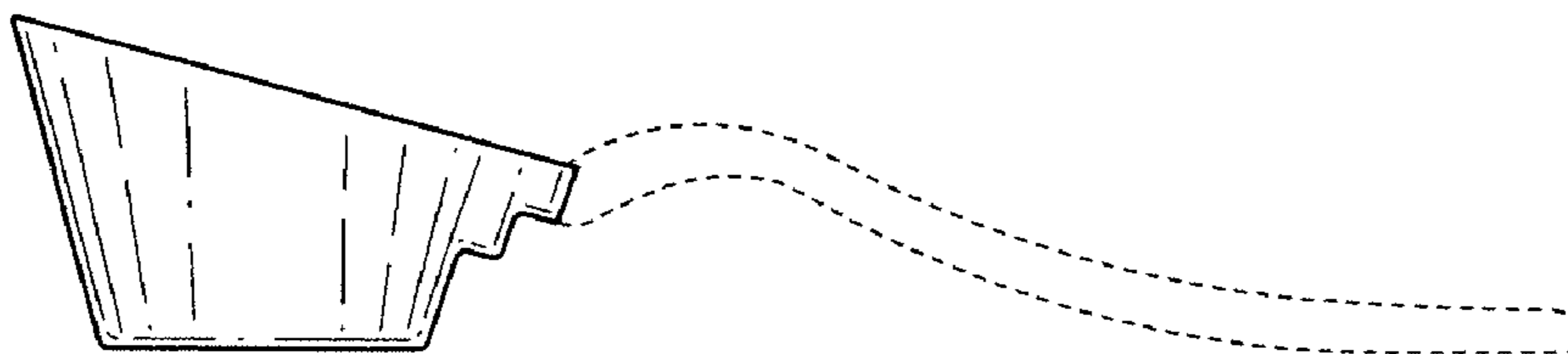


Fig. 2

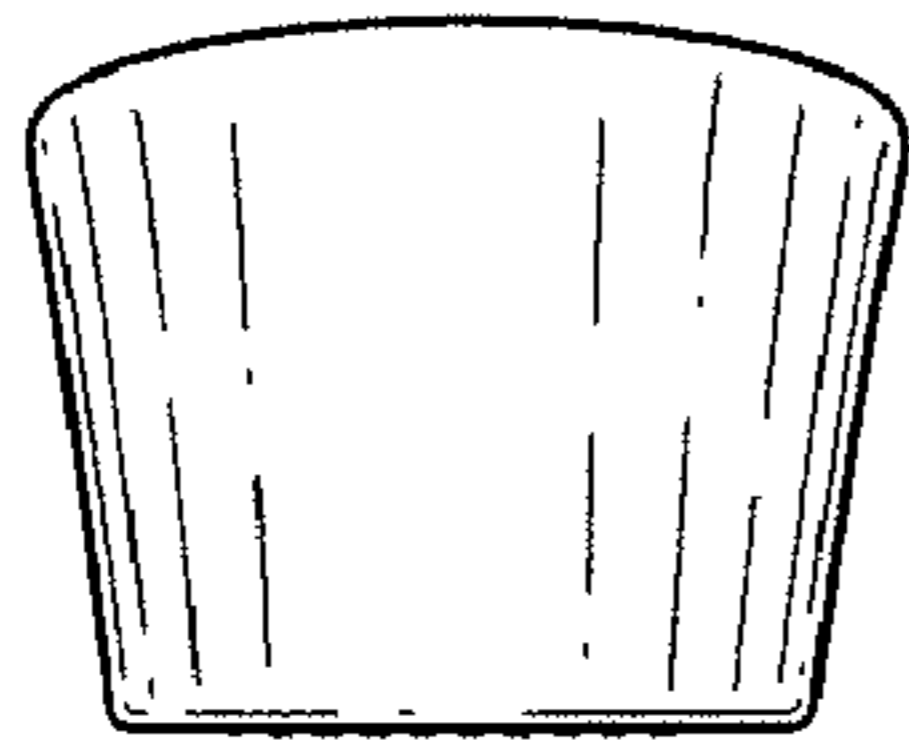


Fig. 3

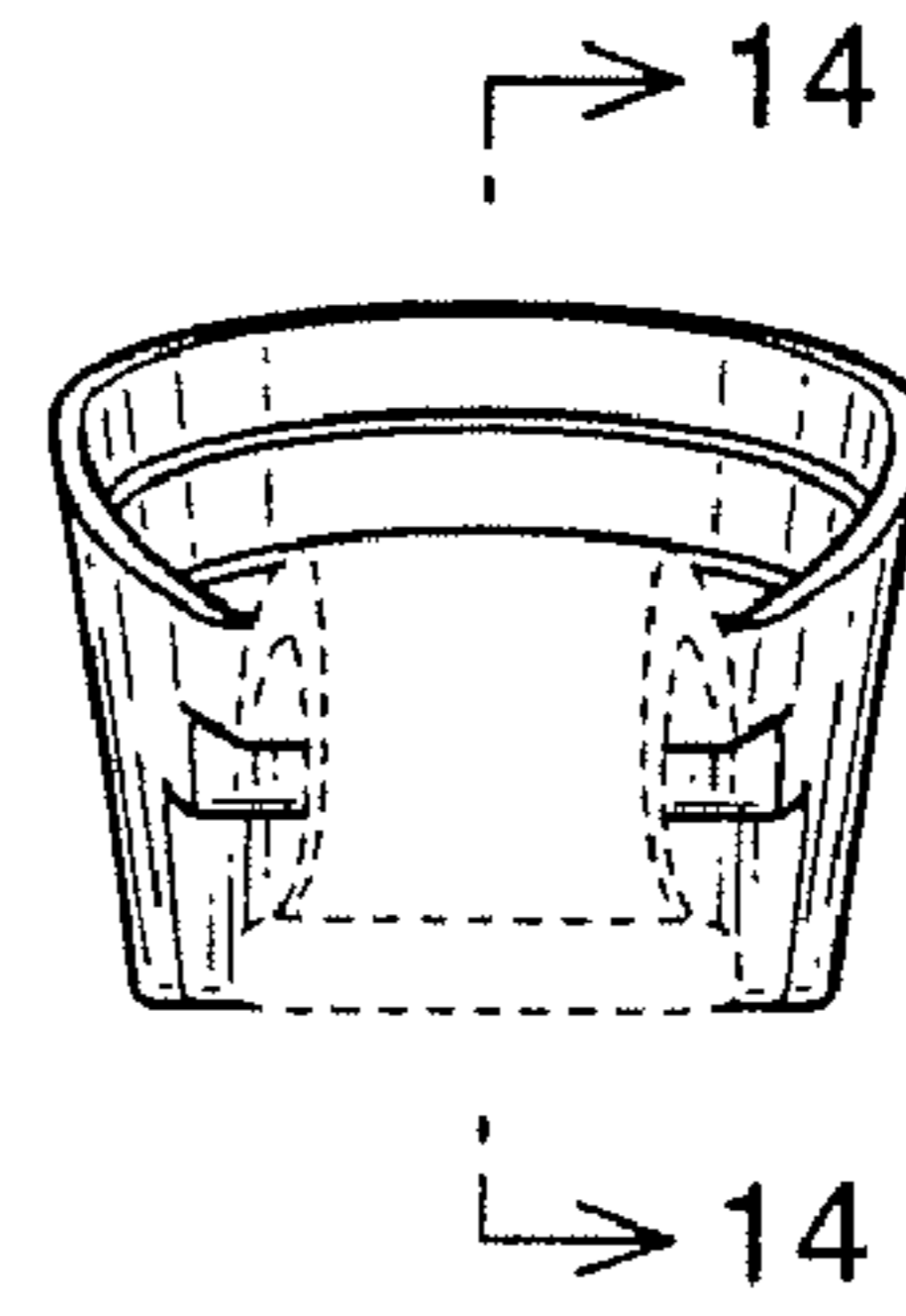


Fig. 4

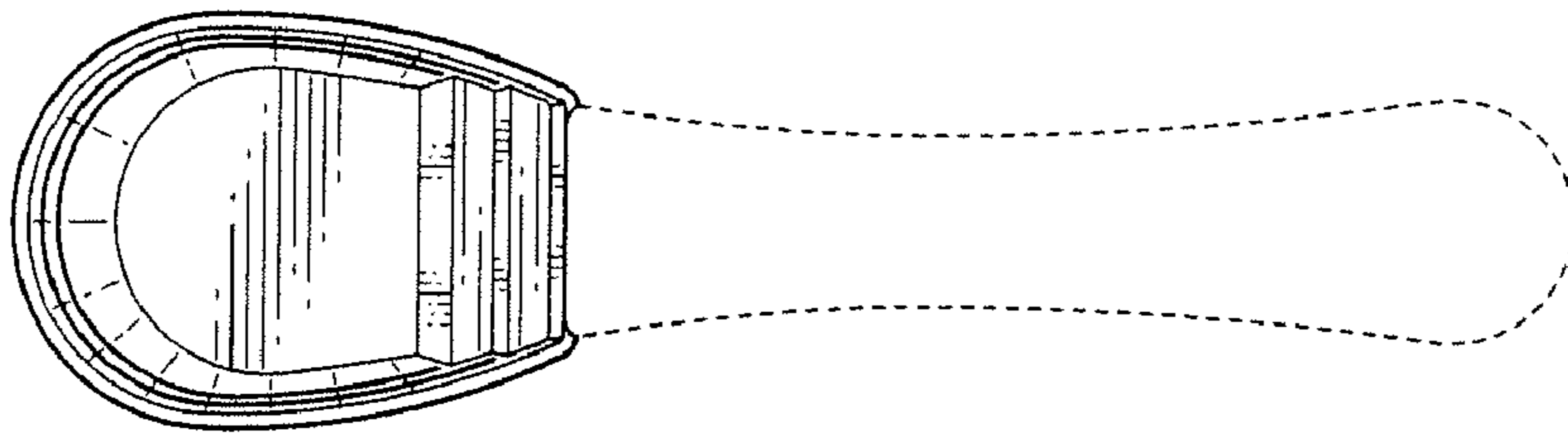


Fig. 5

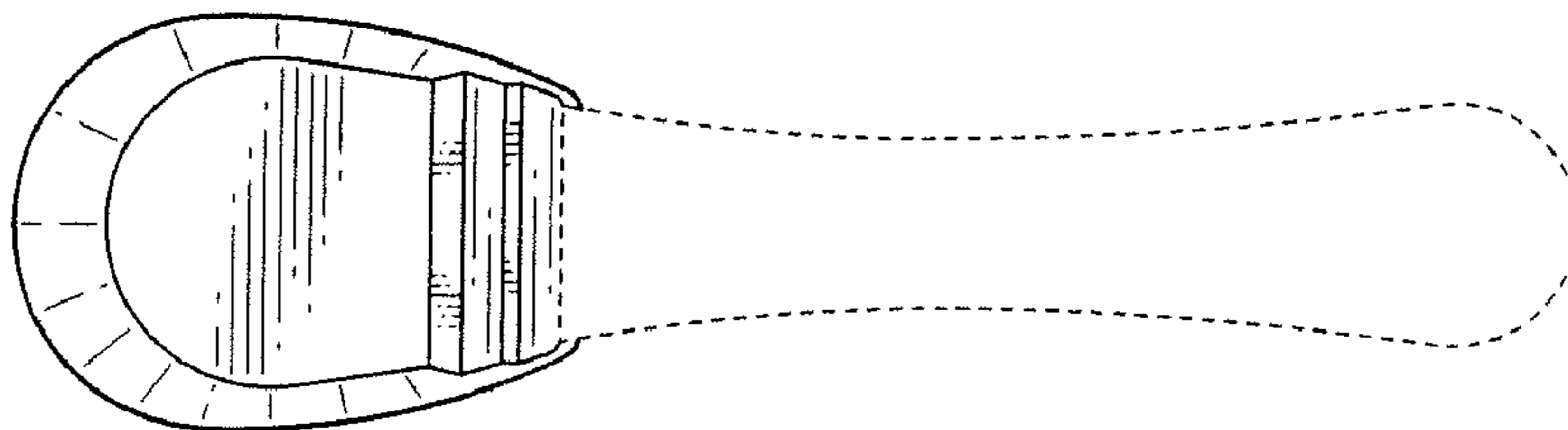


Fig. 6

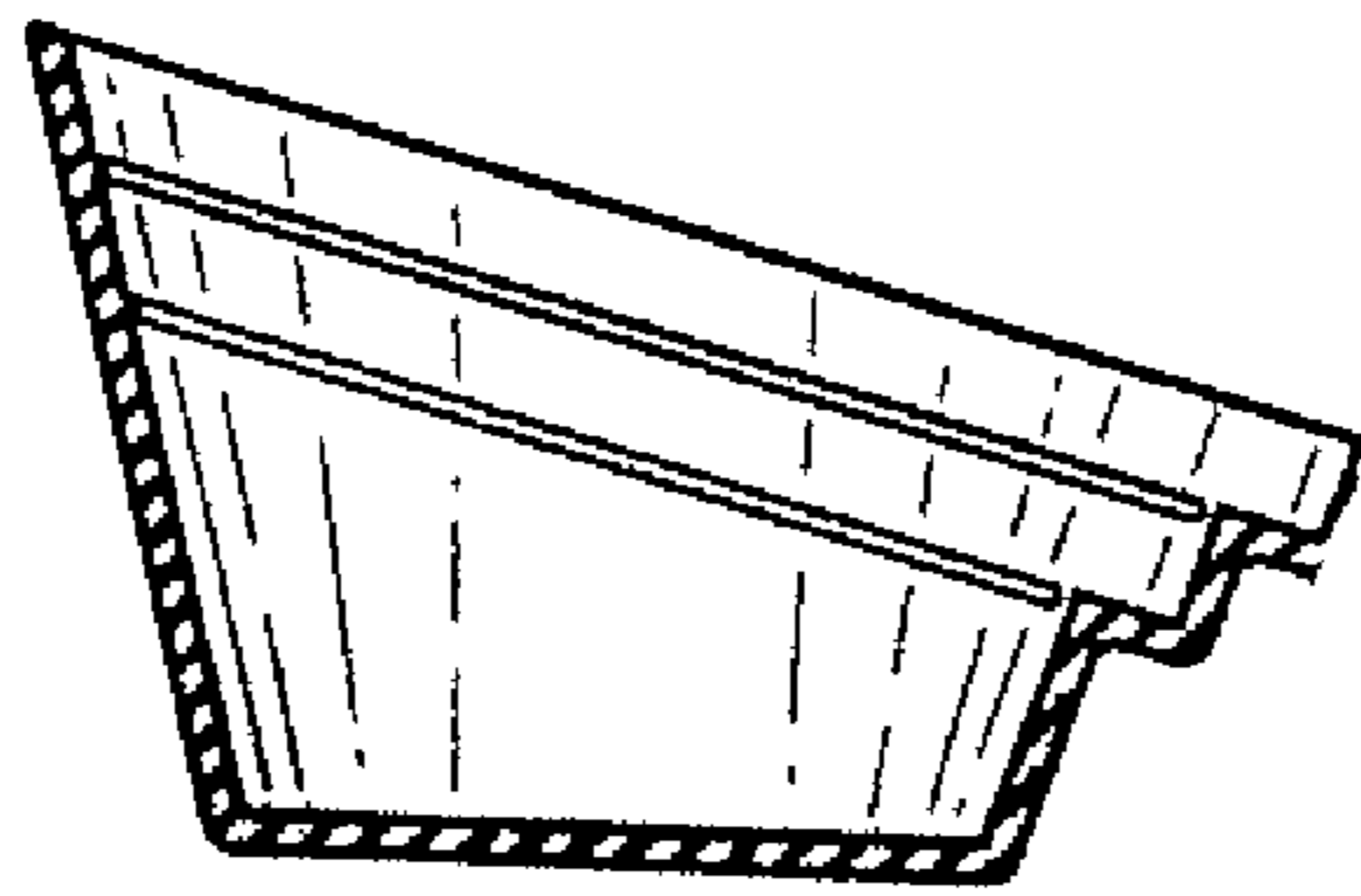


Fig .7