



US00D583632S

(12) **United States Design Patent**
Qualtieri

(10) **Patent No.:** **US D583,632 S**

(45) **Date of Patent:** **** Dec. 30, 2008**

(54) **FULL SCALLOP/SERRATED SPREADER**

(76) **Inventor:** **Christopher M. Qualtieri**, 1860
Colonial Arms Cir., Unit #2A, Virginia
Beach, VA (US) 23454

(**) **Term:** **14 Years**

(21) **Appl. No.:** **29/257,230**

(22) **Filed:** **Apr. 3, 2006**

(51) **LOC (8) Cl.** **07-03**

(52) **U.S. Cl.** **D7/650**

(58) **Field of Classification Search** D7/393,
D7/395, 401.2, 642-646, 649-650, 652-653,
D7/662-664, 688, 695-696; D8/9, 10, 75,
D8/80, 83, 87, 98, 99, 102, 107, 300, 303;
7/105; 15/245.1; 30/123.5-123.7, 128, 124-125,
30/142-143, 147-149, 169, 304, 316, 329,
30/340, 342-346, 353, 355, 394; 99/542;
D22/149; 294/1.1, 7, 51; 452/103

See application file for complete search history.

(56) **References Cited**

U.S. PATENT DOCUMENTS

598,463	A *	2/1898	Foster	452/103
832,455	A *	10/1906	Christensen	7/105
1,323,980	A *	12/1919	Hare	294/51
1,426,085	A *	8/1922	Kohn	30/124
1,432,412	A *	10/1922	Rietveld	294/1.1
1,509,775	A *	9/1924	Phillips	30/125
1,710,113	A *	4/1929	Rothermel	30/142
1,713,529	A *	5/1929	Grant	294/51
1,807,279	A *	5/1931	Byrnes	294/7
2,244,000	A *	6/1941	Oliver	15/245.1
2,435,351	A *	2/1948	Hay	452/103

2,472,668	A *	6/1949	Lewandowski	30/169
2,814,870	A *	12/1957	Treiber	30/142
D191,526	S *	10/1961	Marcus	D7/688
D215,472	S *	10/1969	Potts	D7/688
D230,695	S *	3/1974	Bartz	D8/9
D237,449	S *	11/1975	Montesi	D7/650
D275,065	S *	8/1984	Steiner	D7/688
D303,603	S *	9/1989	Zimmerman	D7/650
D352,873	S *	11/1994	Chen	D8/9
D380,661	S *	7/1997	Lehmann	D8/87
D418,723	S *	1/2000	Bowman	D7/688
D427,031	S *	6/2000	Winchester	D8/10
D457,220	S *	5/2002	Huckaba	D22/149

* cited by examiner

Primary Examiner—Cathron C. Brooks

Assistant Examiner—Ricky Pham

(74) *Attorney, Agent, or Firm*—William G. Sykes

(57) **CLAIM**

The ornamental design for a full scallop/serrated spreader, as shown.

DESCRIPTION

FIG. 1 is a front perspective view of a full scallop/serrated spreader showing my new design;

FIG. 2 is a front elevational view thereof;

FIG. 3 is a top plan view thereof;

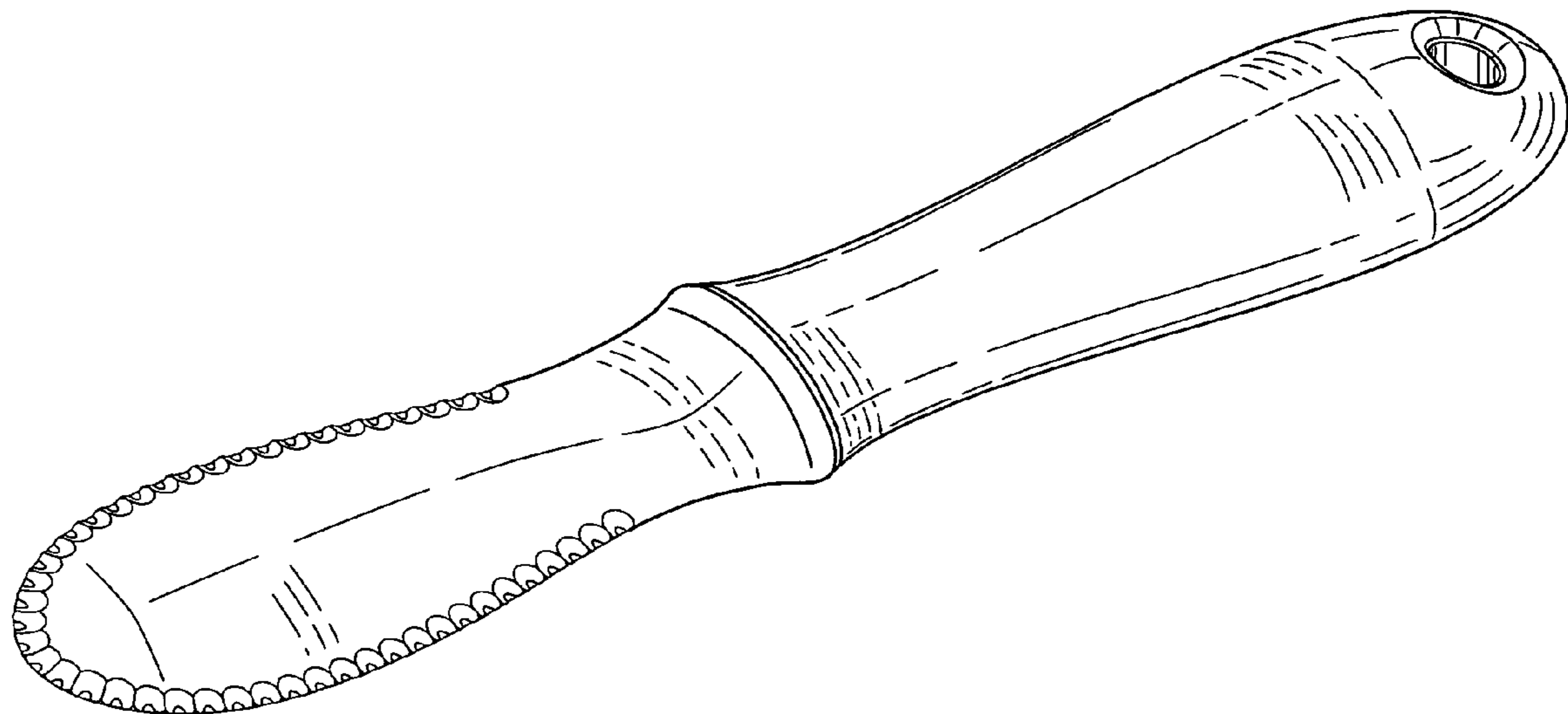
FIG. 4 is a bottom plan view thereof;

FIG. 5 is a right side elevational view thereof;

FIG. 6 is a left side elevational view thereof; and,

FIG. 7 is a rear elevational view thereof.

1 Claim, 7 Drawing Sheets



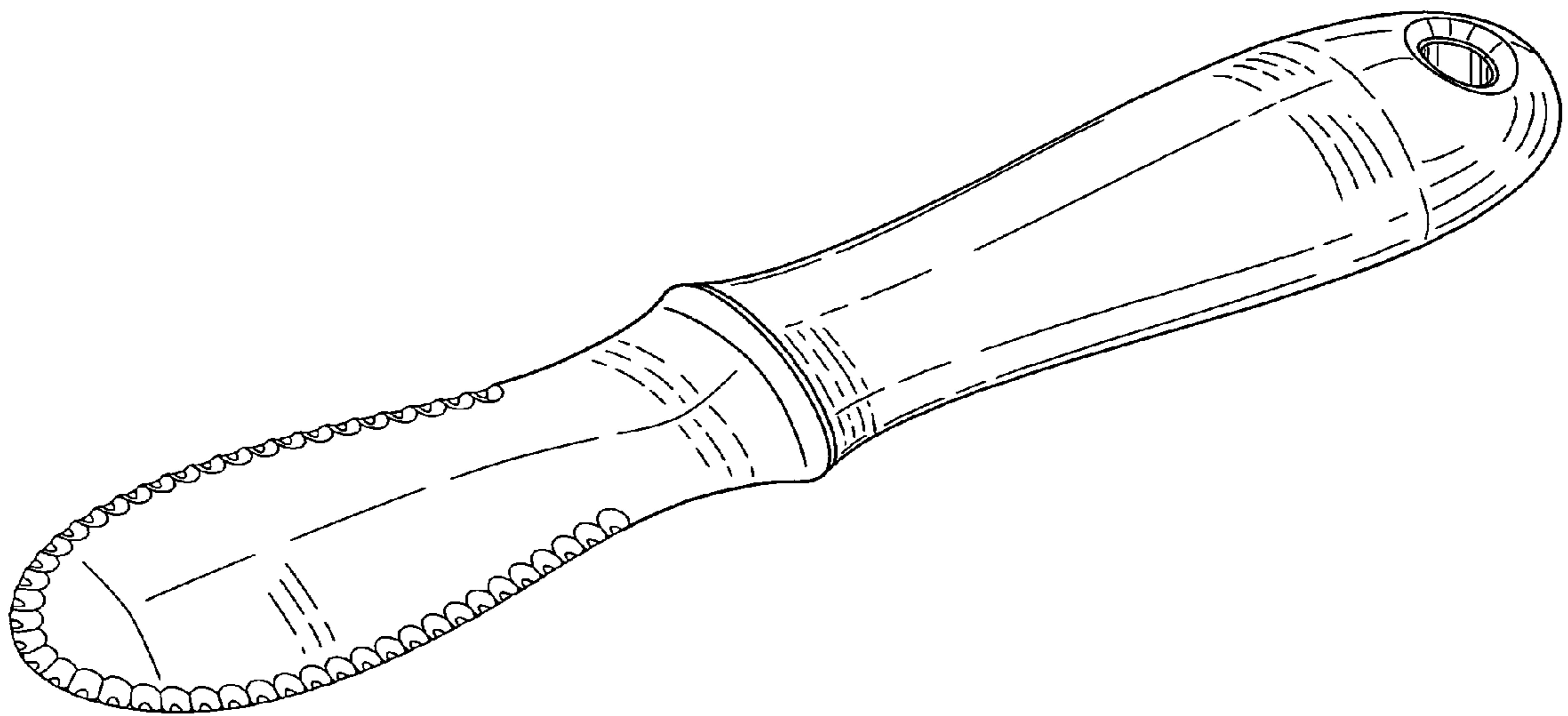


Fig. 1

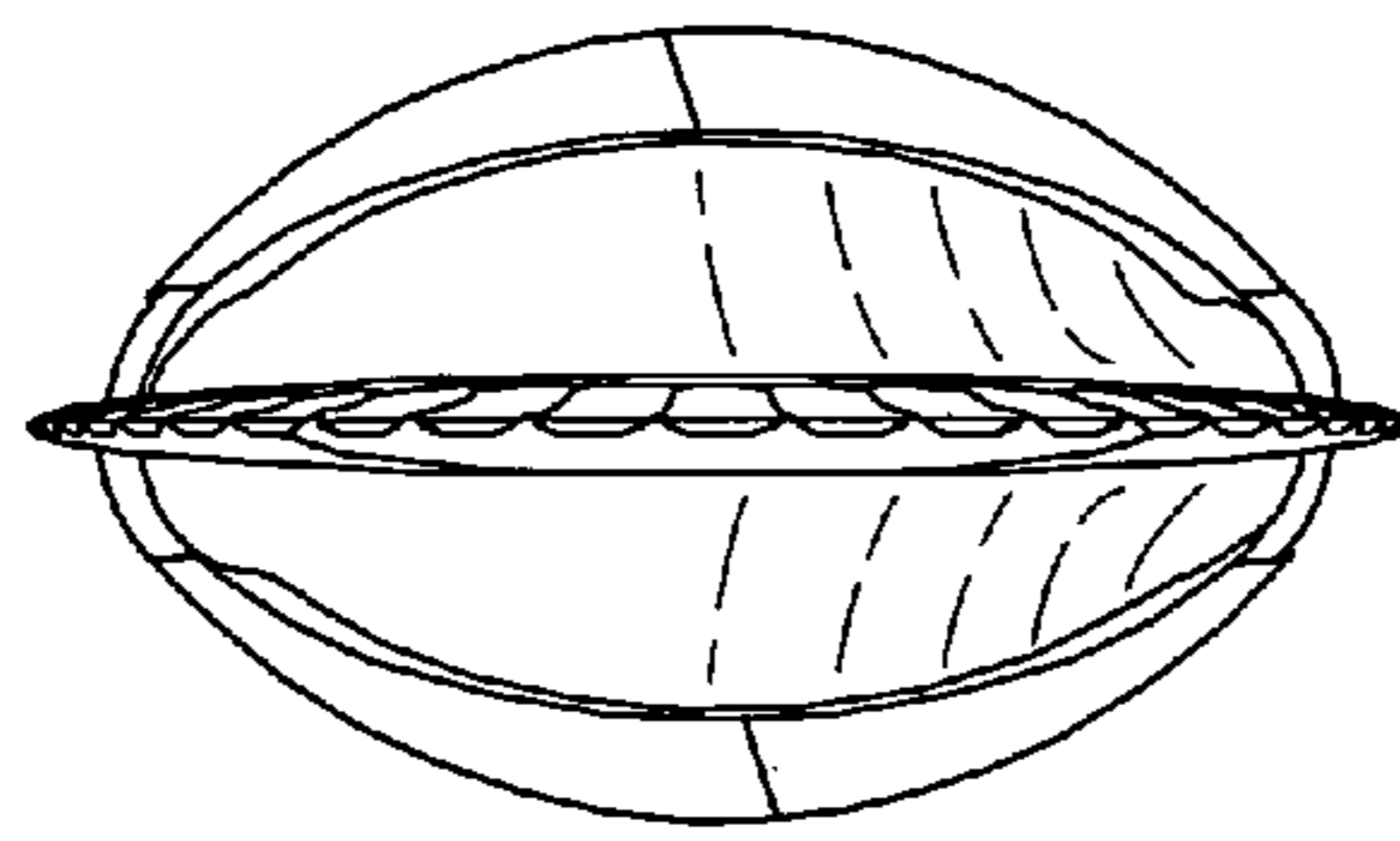


Fig. 2

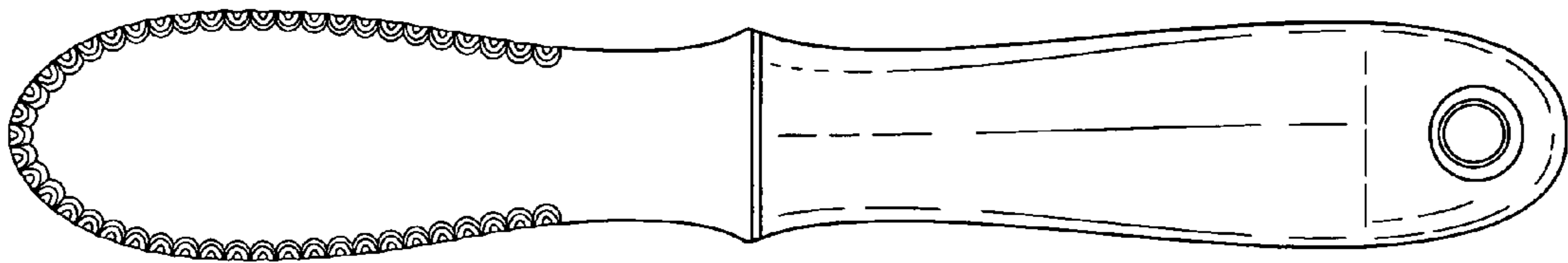


Fig. 3

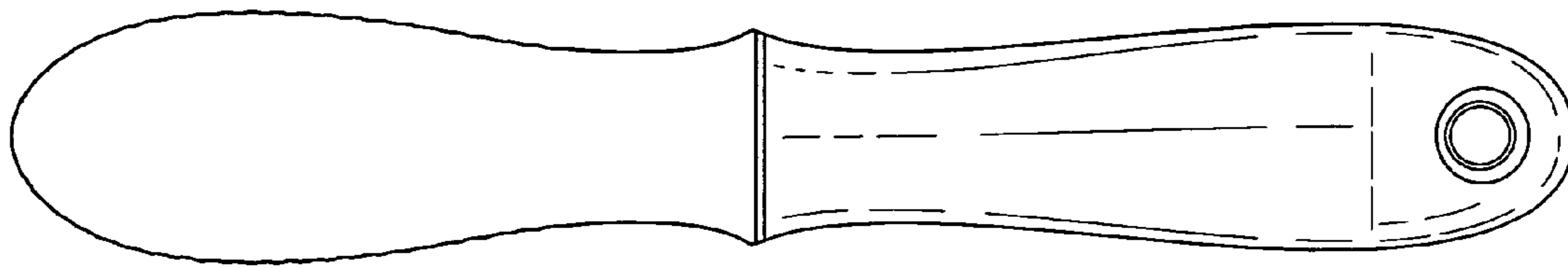


Fig. 4

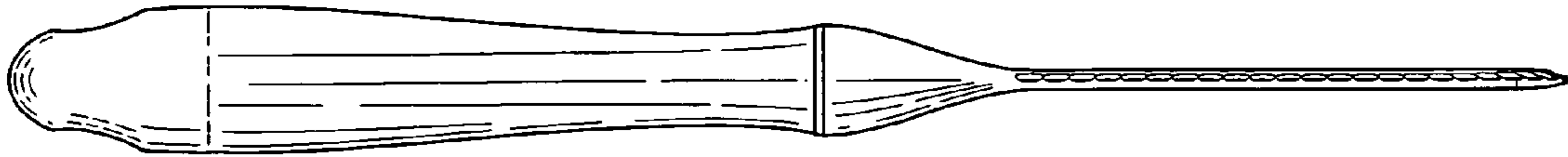


Fig. 5

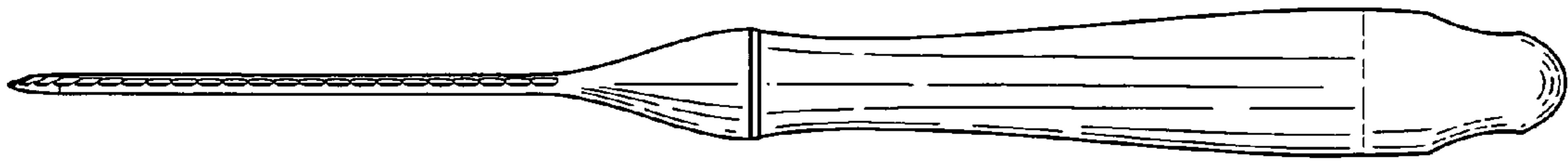


Fig. 6

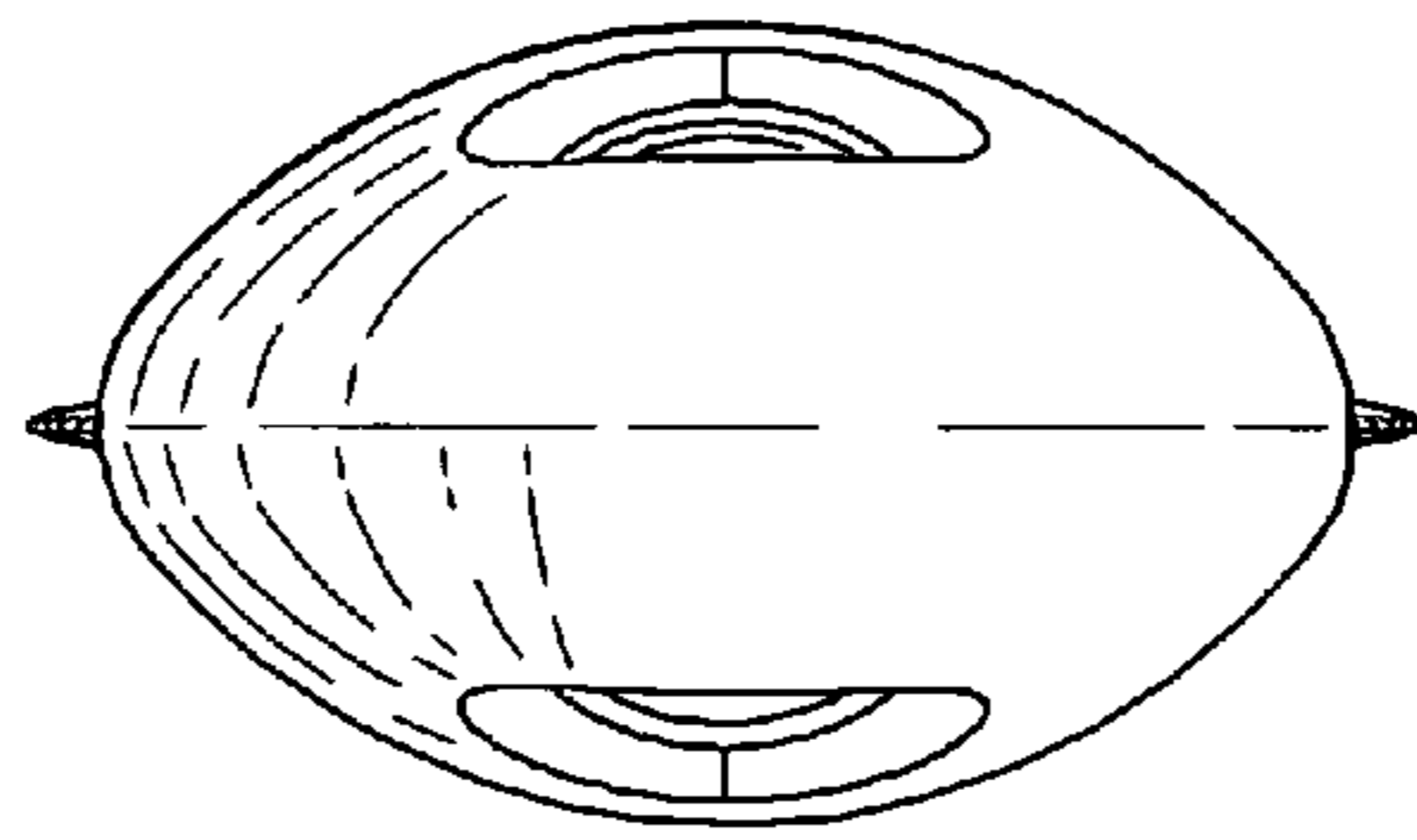


Fig. 7