



US00D583631S

(12) **United States Design Patent**
Brunetto et al.

(10) **Patent No.:** **US D583,631 S**

(45) **Date of Patent:** **** Dec. 30, 2008**

(54) **GLASS/CUP/MUG HOLDER**

(75) Inventors: **Michael Vincent Brunetto**, New Bedford, MA (US); **David A. Virden, Jr.**, Boston, MA (US)

(73) Assignee: **BBC Brands, LLC**, Boston, MA (US)

(**) Term: **14 Years**

(21) Appl. No.: **29/280,803**

(22) Filed: **Jun. 7, 2007**

(51) **LOC (8) Cl.** **07-06**

(52) **U.S. Cl.** **D7/622**

(58) **Field of Classification Search** D7/619.1-625, D7/536; 220/737-740; 294/31.2, 31.1, 32, 294/33; 215/395, 396, 398; 248/311.2; 211/74
See application file for complete search history.

(56) **References Cited**

U.S. PATENT DOCUMENTS

D293,061	S	*	12/1987	Hampton	D7/622
5,040,719	A	*	8/1991	Ballway	220/738
D493,071	S	*	7/2004	Fasula et al.	D7/606
D495,875	S	*	9/2004	Spence, Jr.	D3/229
D512,275	S	*	12/2005	Kent-Fawkes	D7/622

* cited by examiner

Primary Examiner—Terry A Wallace
(74) *Attorney, Agent, or Firm*—Dorsey & Whitney LLP

(57) **CLAIM**

The ornamental design for a glass/cup/mug holder, as shown and described.

DESCRIPTION

FIG. 1 is an elevation view of a first exemplary embodiment of a glass/cup/mug holding arrangement showing our new design;

FIG. 2 is a side view of the glass/cup/mug holding arrangement of FIG. 1;

FIG. 3 is a rear view of the glass/cup/mug holding arrangement of FIG. 1;

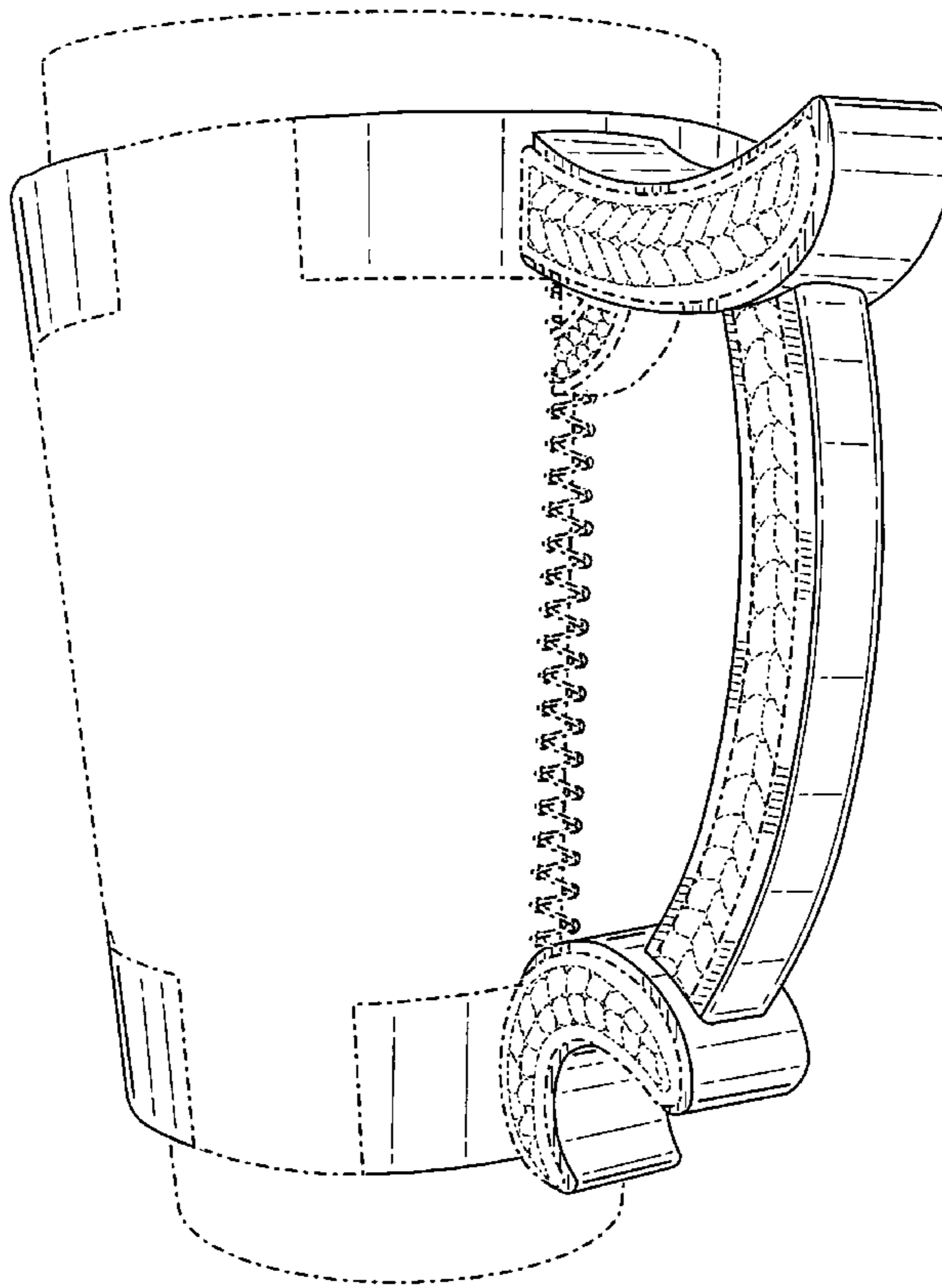
FIG. 4 is a bottom view of the glass/cup/mug holding arrangement of FIG. 1;

FIG. 5 is a top view of the glass/cup/mug holding arrangement of FIG. 1; and,

FIG. 6 is a front view of the glass/cup/mug holding arrangement of FIG. 1.

The broken lines (if any) are provided for illustrative purposes only, and form no part of the claimed design. In addition, shadings are provided for illustrative purposes only, and do not form any portion of the claimed design.

1 Claim, 6 Drawing Sheets



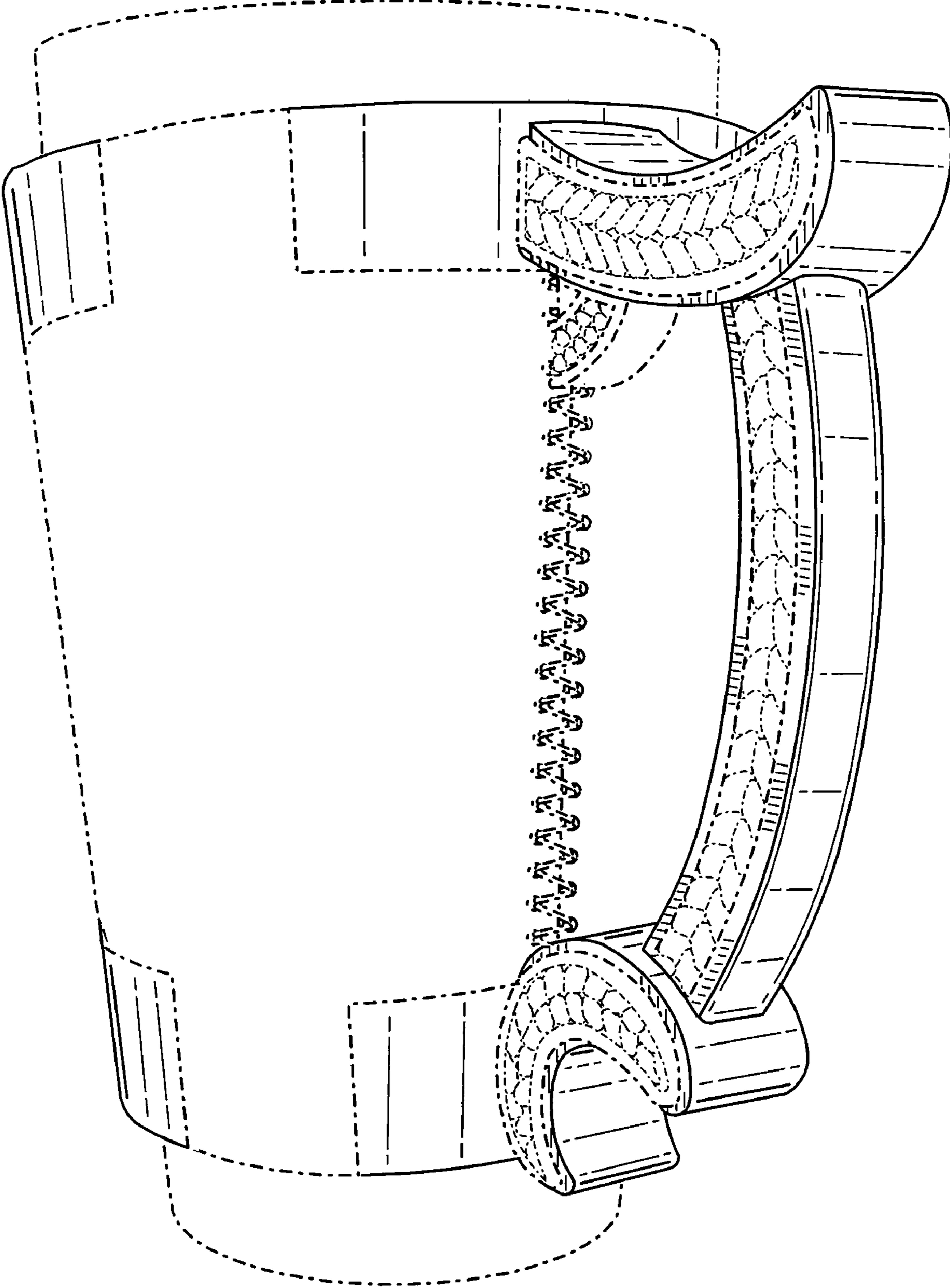


FIG. 1

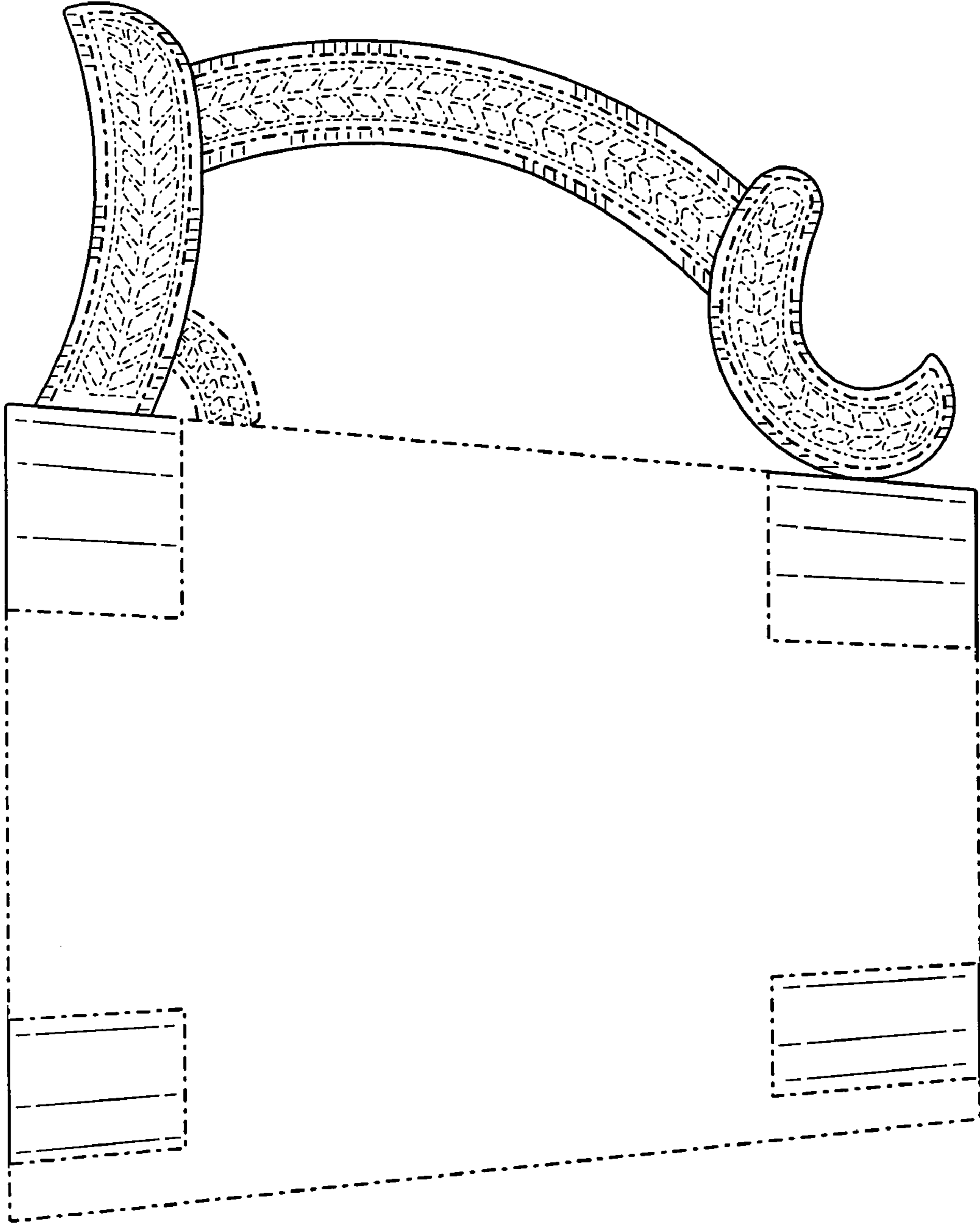


FIG. 2

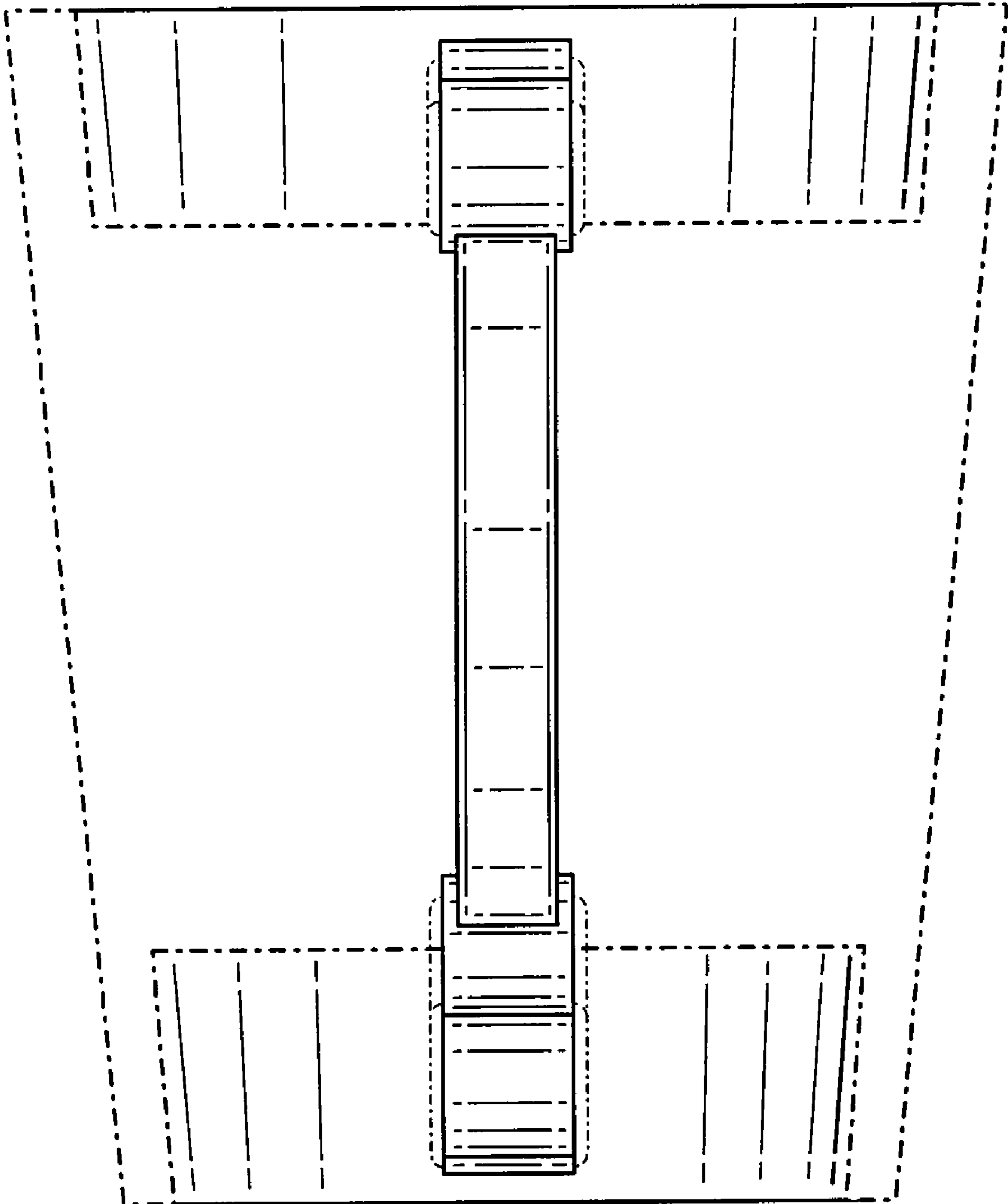


FIG. 3

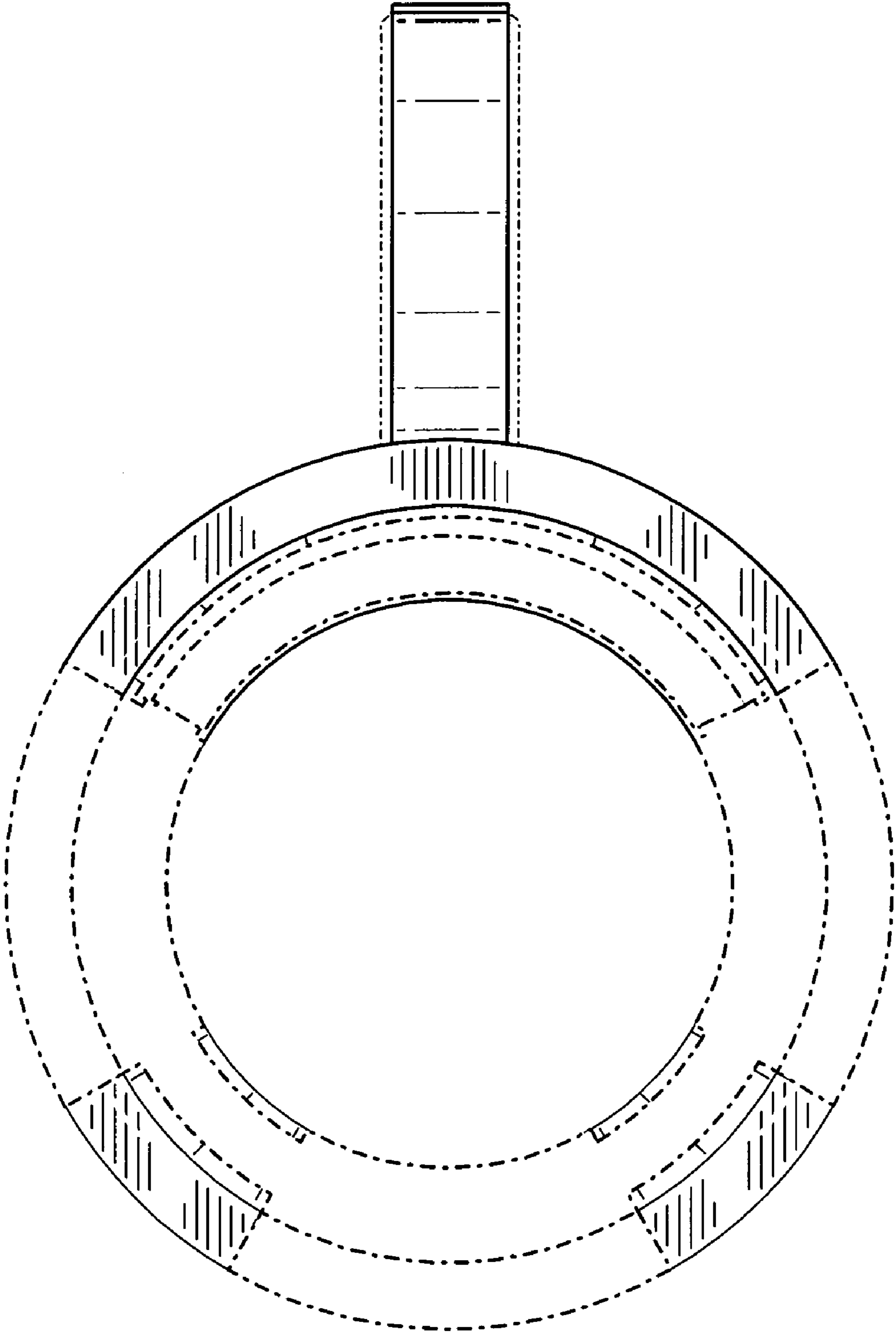


FIG. 4

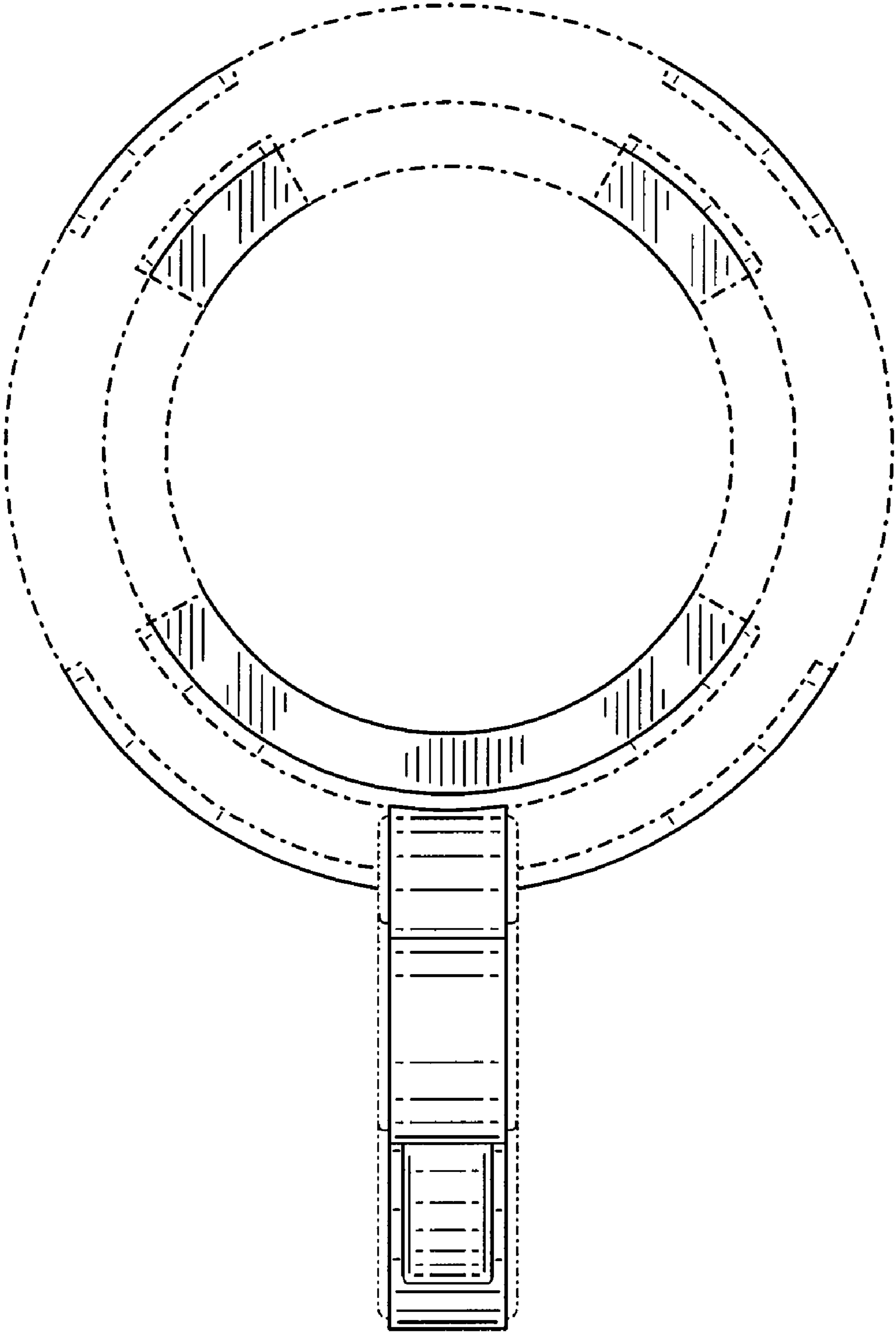


FIG. 5

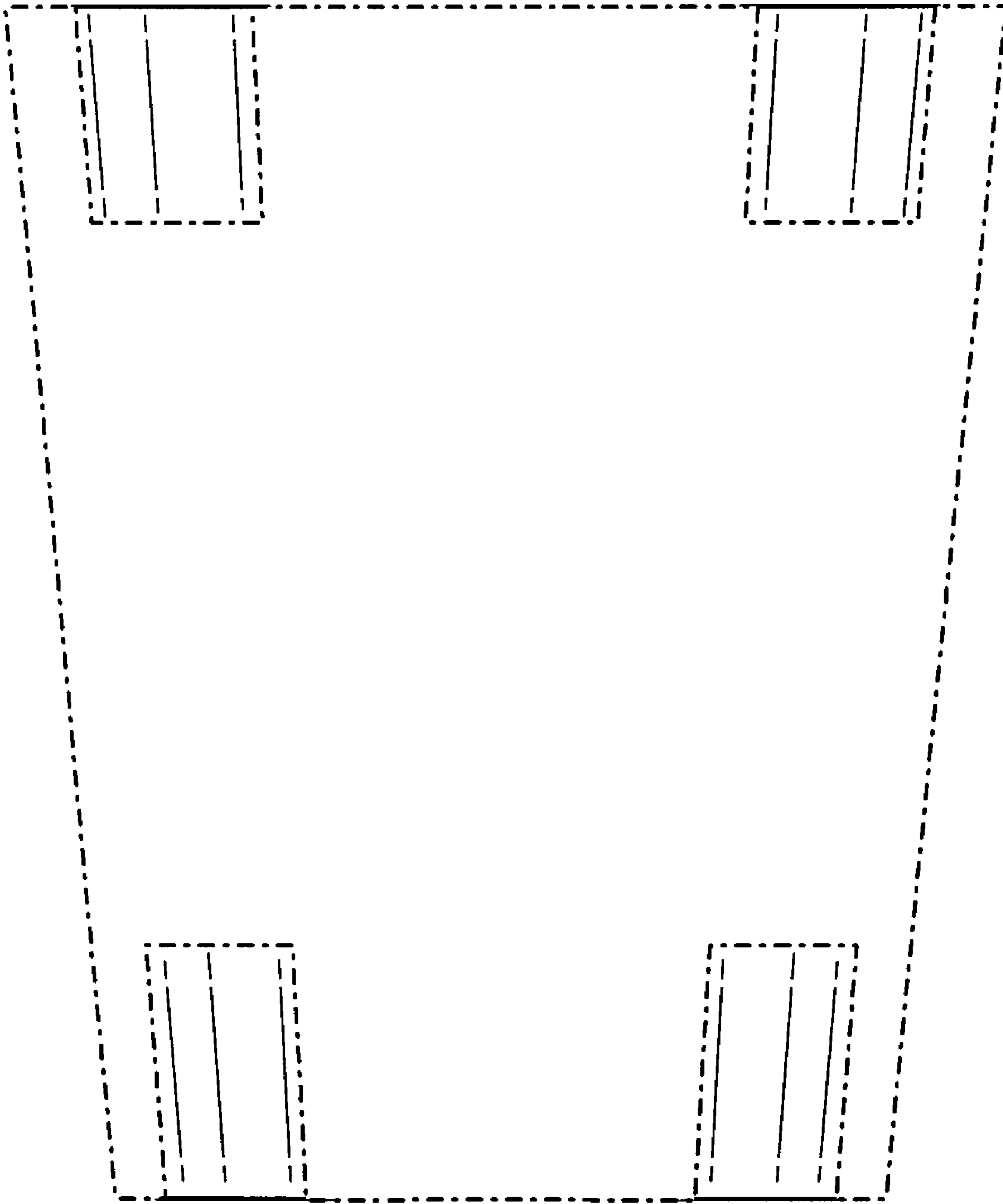


FIG. 6