



US00D583629S

(12) **United States Design Patent**
Sgrillo

(10) **Patent No.:** **US D583,629 S**
(45) **Date of Patent:** **** Dec. 30, 2008**

(54) **INSULATED POT WRAP**

(57) **CLAIM**

(76) Inventor: **Barbara Sgrillo**, 5901 W. Behrend Dr.,
#2002, Glendale, AZ (US) 85308

I claim the ornamental design for an insulated pot wrap, as shown and described.

(**) Term: **14 Years**

DESCRIPTION

(21) Appl. No.: **29/300,237**

FIG. 1 is a perspective view of the insulated pot wrap of the present invention in position about a pot.

(22) Filed: **Mar. 4, 2008**

FIG. 2 is a left side plan view of the insulated pot wrap in position about a pot.

(51) **LOC (8) Cl.** **07-99**

FIG. 3 is a top plan view of the insulated pot wrap in position about a pot.

(52) **U.S. Cl.** **D7/607**

FIG. 4 is a front plan view of the insulated pot wrap in position about a pot.

(58) **Field of Classification Search** D7/607,
D7/387, 368, 669, 601; 383/110, 121.1,
383/2, 6, 98; D29/119

FIG. 5 is a rear plan view of the insulated pot wrap in position about a pot.

See application file for complete search history.

(56) **References Cited**

FIG. 6 is a right side plan view of the insulated pot wrap in position about a pot.

U.S. PATENT DOCUMENTS

FIG. 7 is a bottom plan view of the insulated pot wrap in position about a pot.

3,507,312 A * 4/1970 Petersen 220/737

FIG. 8 is a perspective view of the insulated pot wrap preparatory to wrapping about a pot.

D262,177 S * 12/1981 Swan D7/607

FIG. 9 is a top plan view of the insulated pot wrap of the present invention.

D267,427 S 12/1982 Christensen

FIG. 10 is a side elevation of the view of FIG. 9.

4,413,851 A 11/1983 Ritter

FIG. 11 is a bottom plan view of the insulated pot wrap of the present invention.

5,139,476 A 8/1992 Peters

FIG. 12 is a side elevation of the view of FIG. 11.

D388,657 S 1/1998 Bacharowski

FIG. 13 is an end elevation view of the bifurcated end of the insulated pot wrap of the present invention.

D415,390 S * 10/1999 Winnington-Ingram D7/507

FIG. 14 is an end elevation view of the opposite end of the insulated pot wrap of the present invention; and,

6,048,326 A 4/2000 Davis

FIG. 15 is a perspective view of a second embodiment of the insulated pot wrap of the present invention having a quilted outer texture in position about a pot

D433,196 S * 10/2000 Specht D29/119

6,381,812 B1 5/2002 Crider

7,103,944 B2 9/2006 Johnson

2006/0264794 A1 11/2006 Fuchs

2007/0053618 A1 3/2007 Schoening

FOREIGN PATENT DOCUMENTS

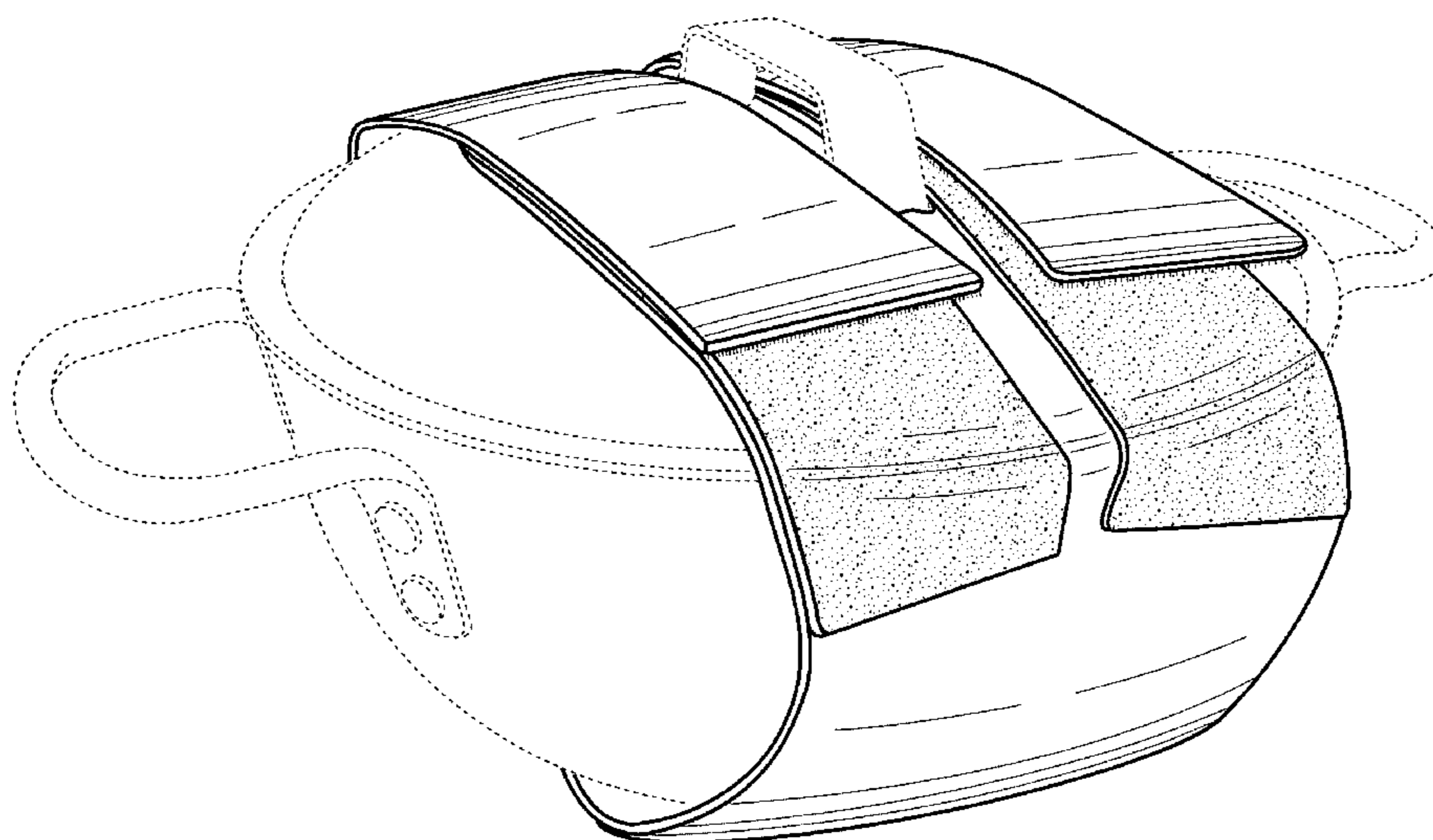
CA 2389910 1/2004

* cited by examiner

Primary Examiner—Terry A. Wallace

(74) *Attorney, Agent, or Firm*—Robert Haines

1 Claim, 8 Drawing Sheets



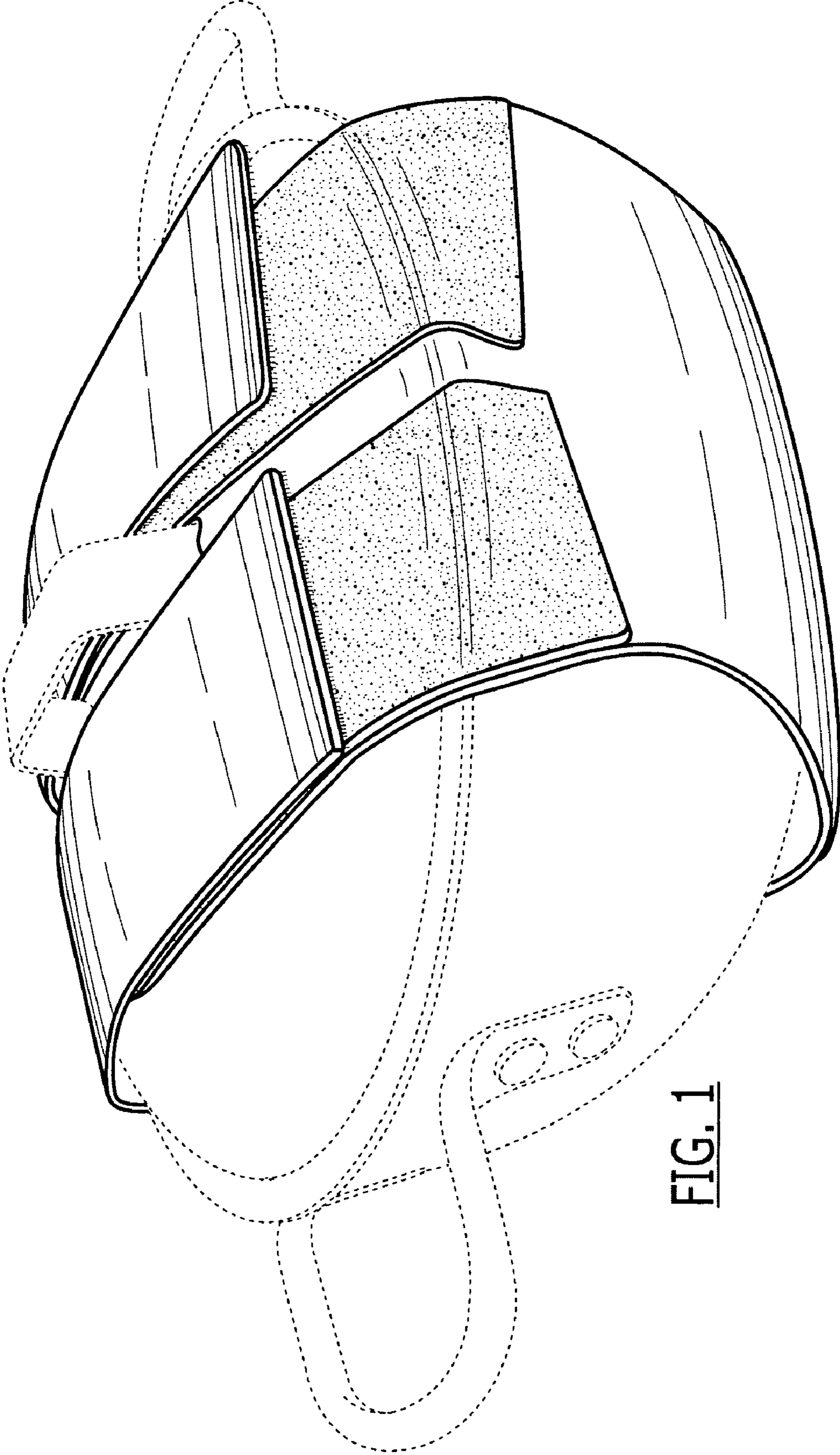


FIG. 1

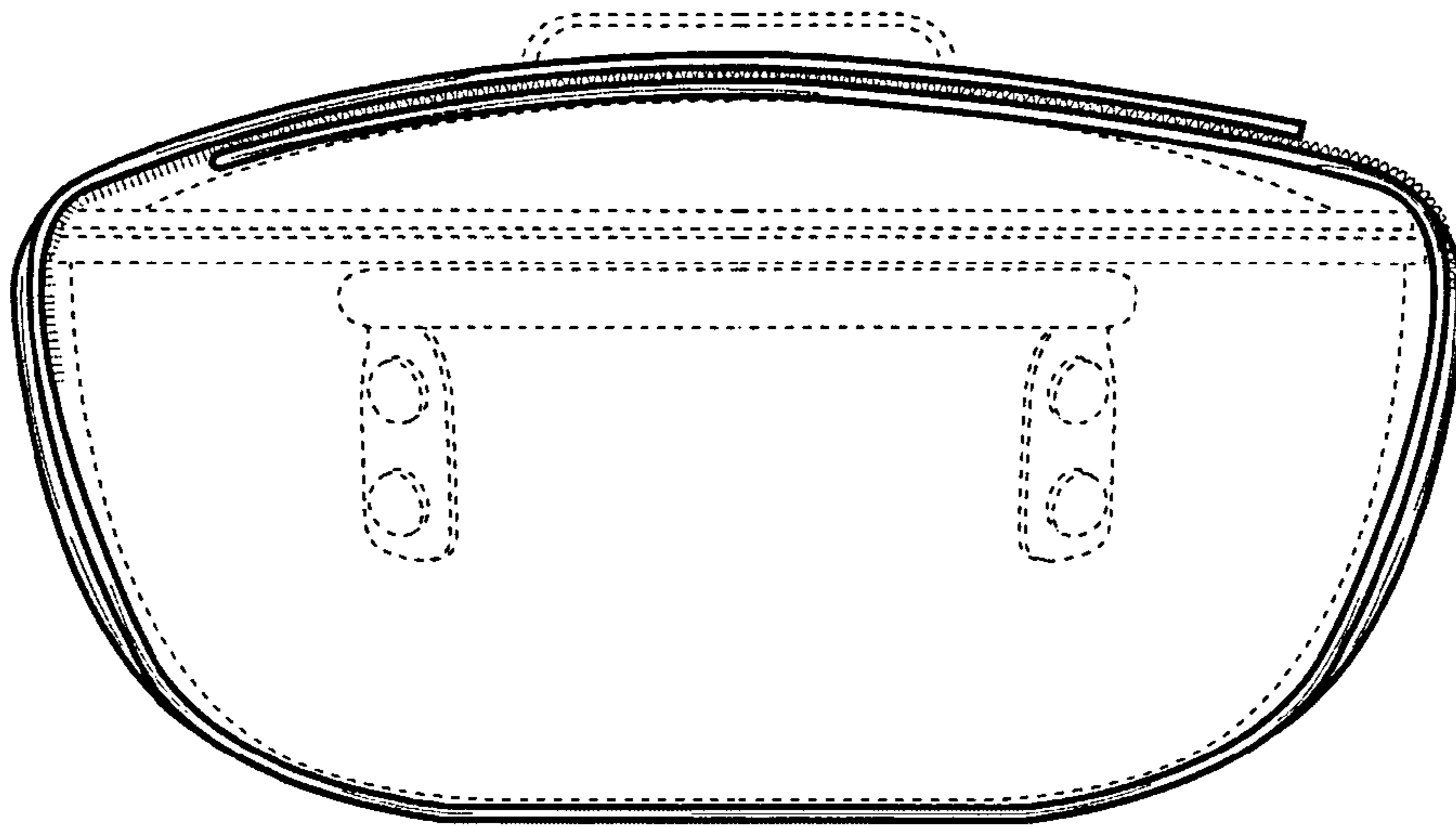


FIG. 2

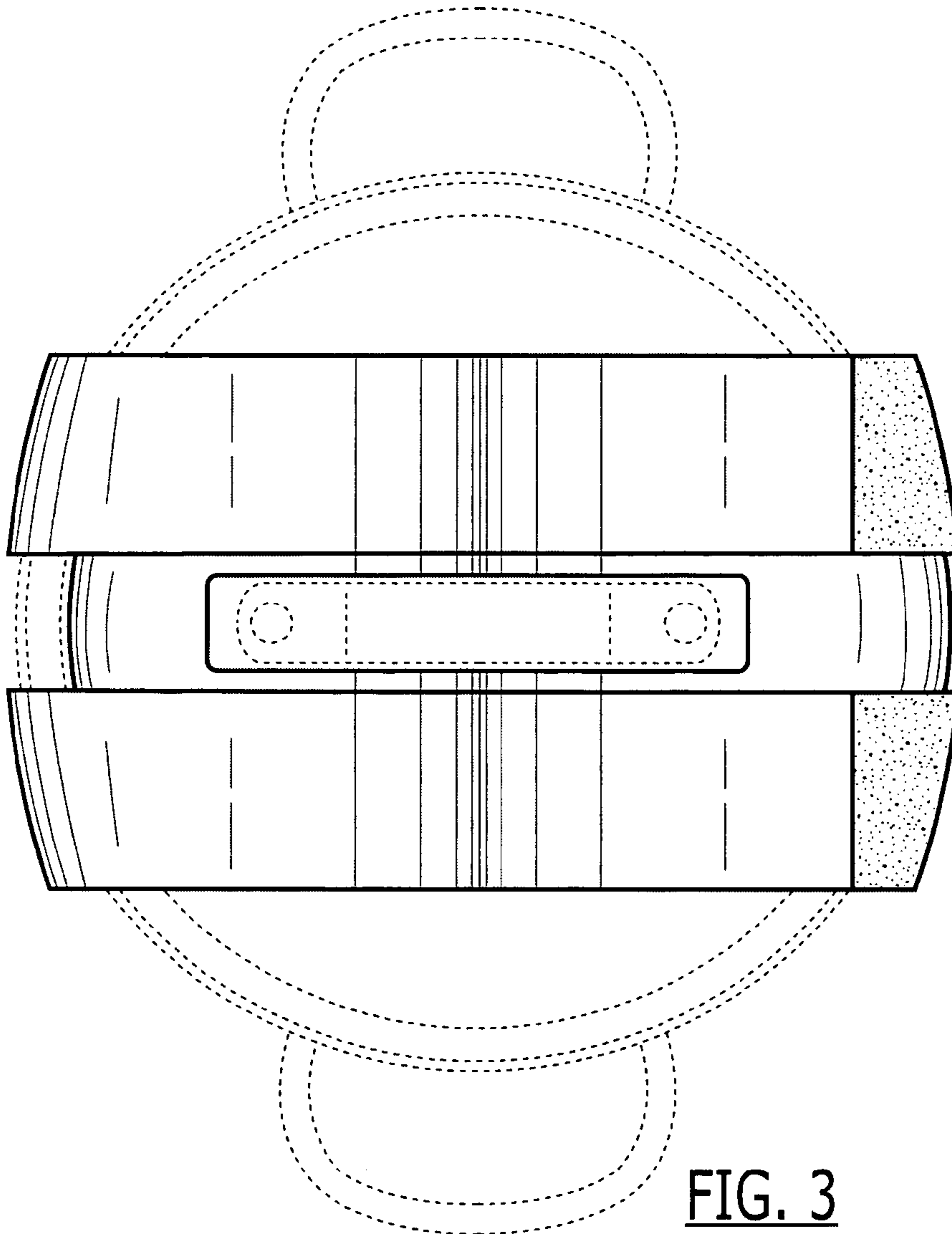


FIG. 3

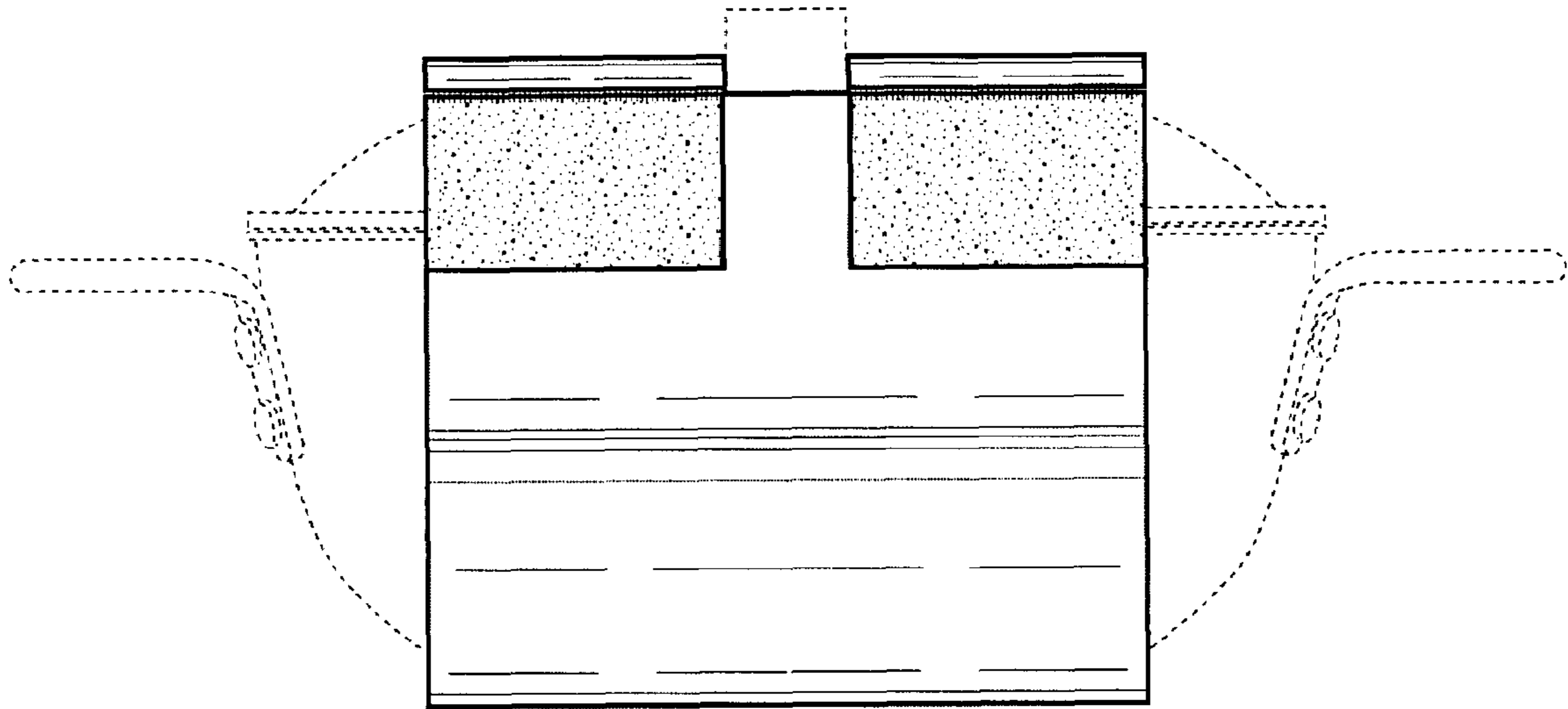


FIG. 4

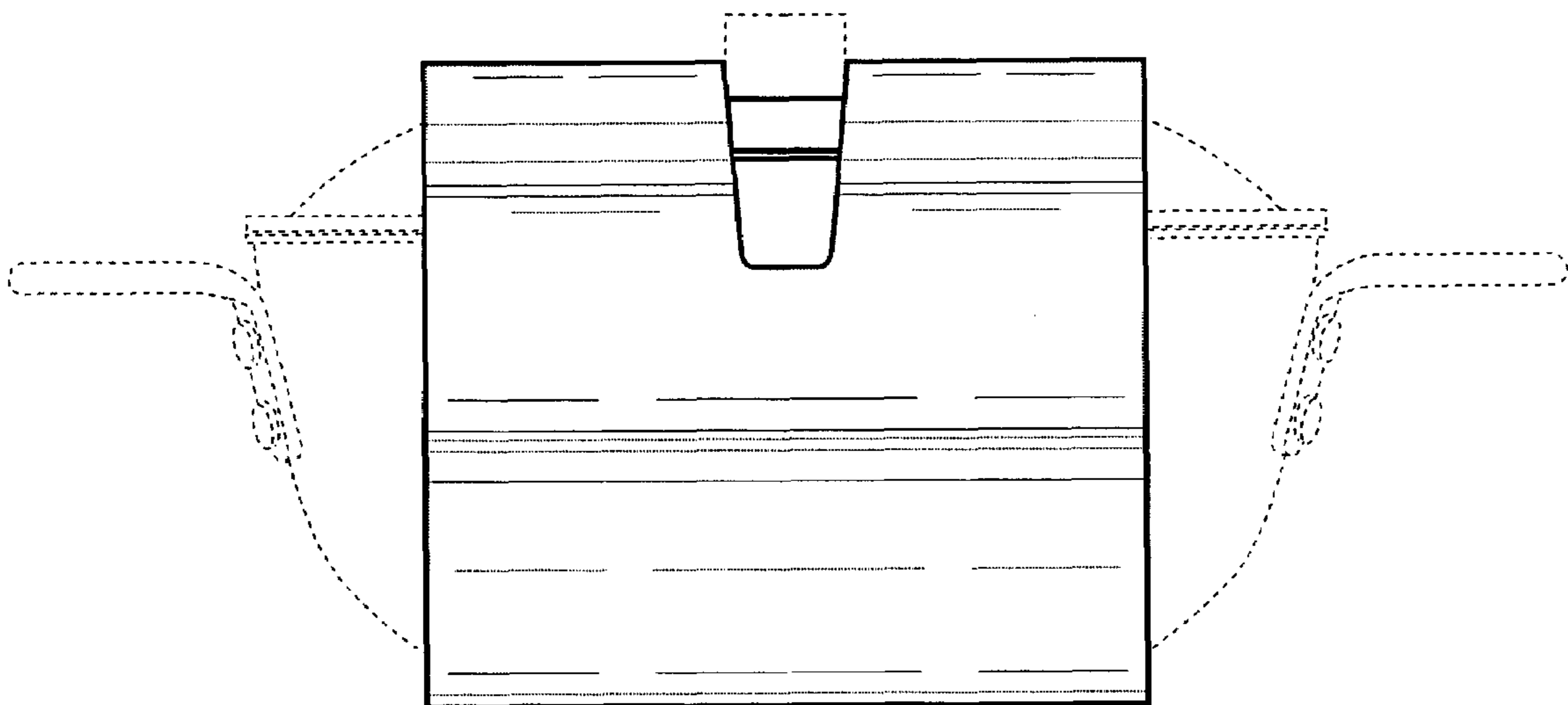


FIG. 5

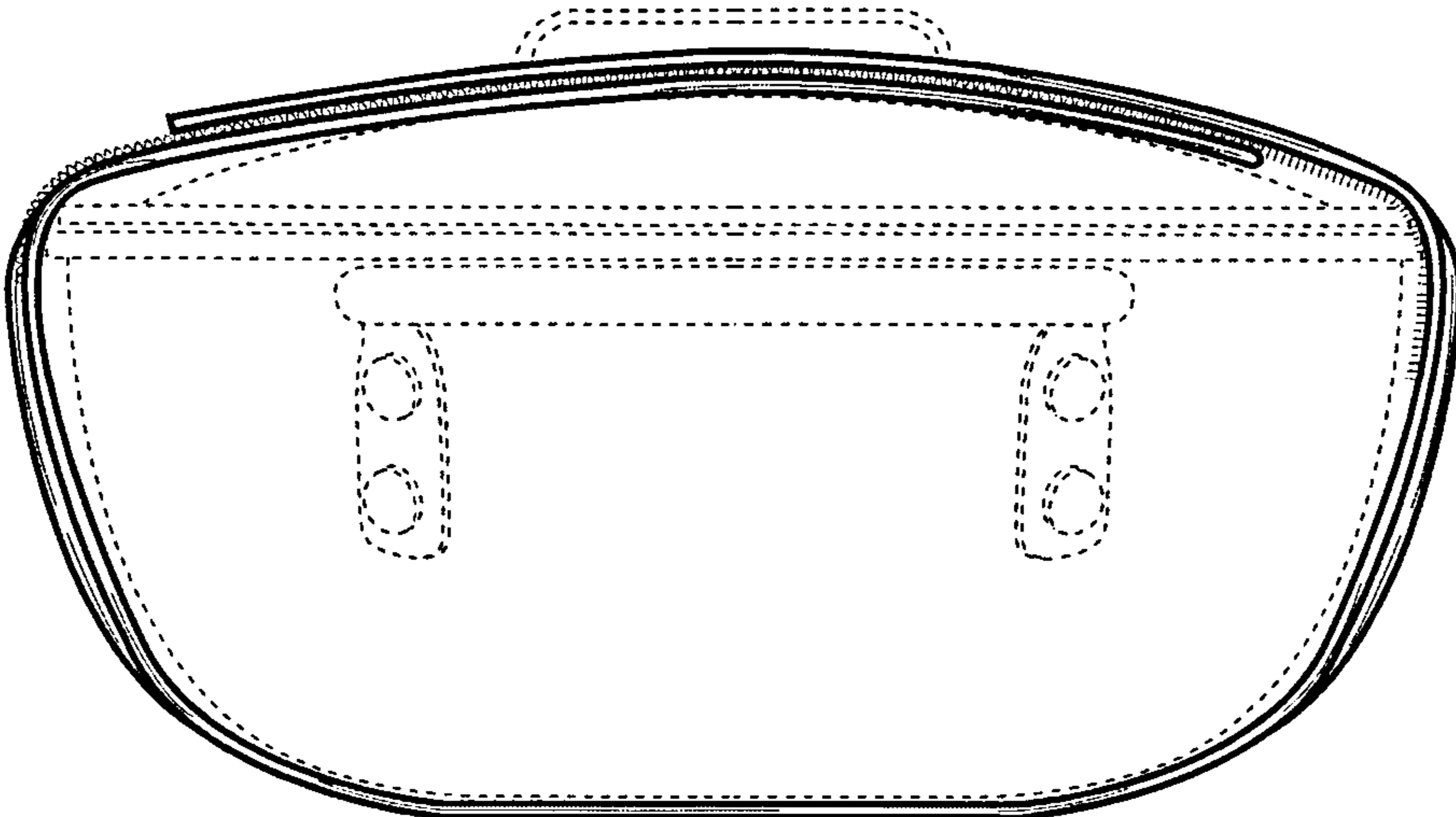


FIG. 6

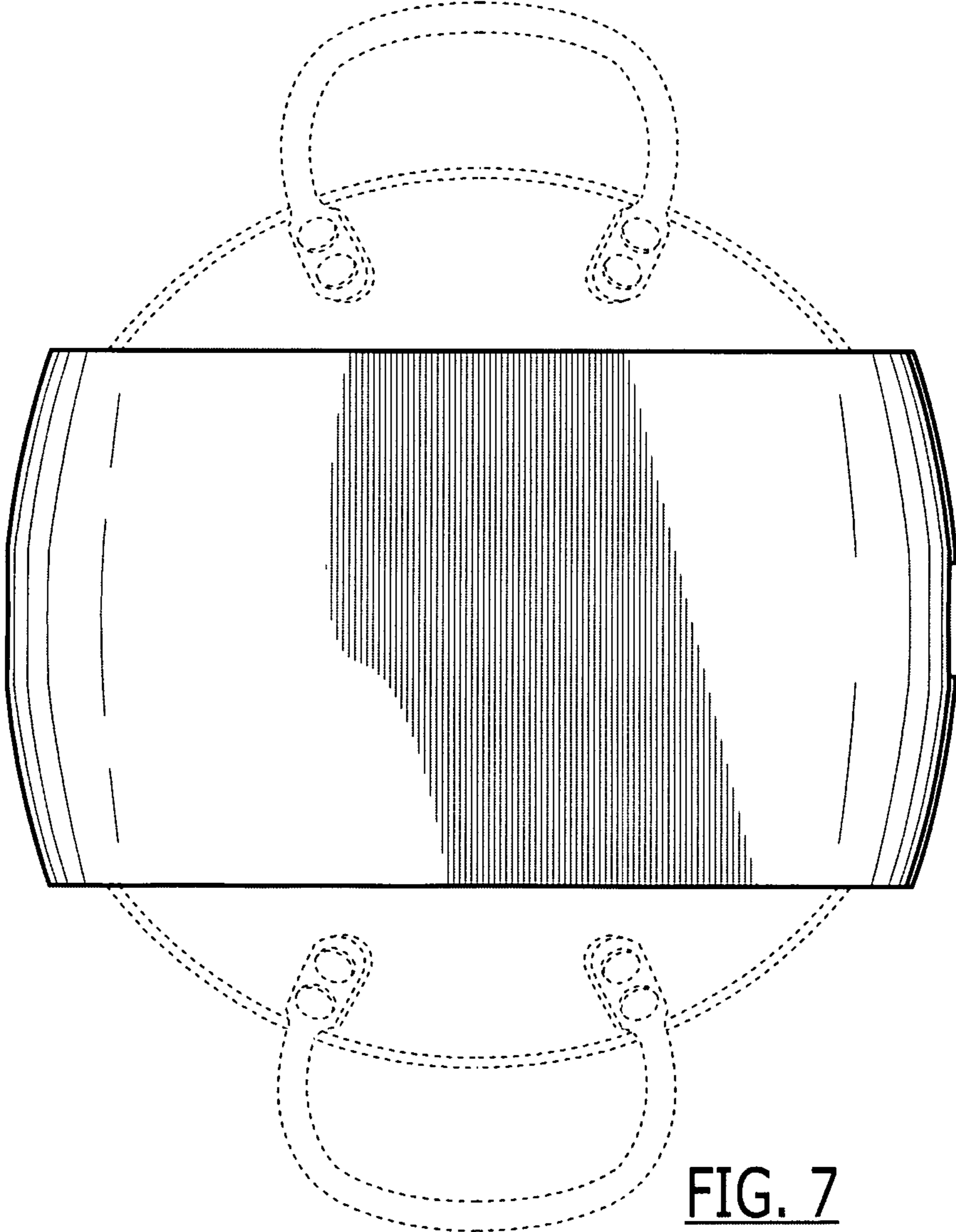
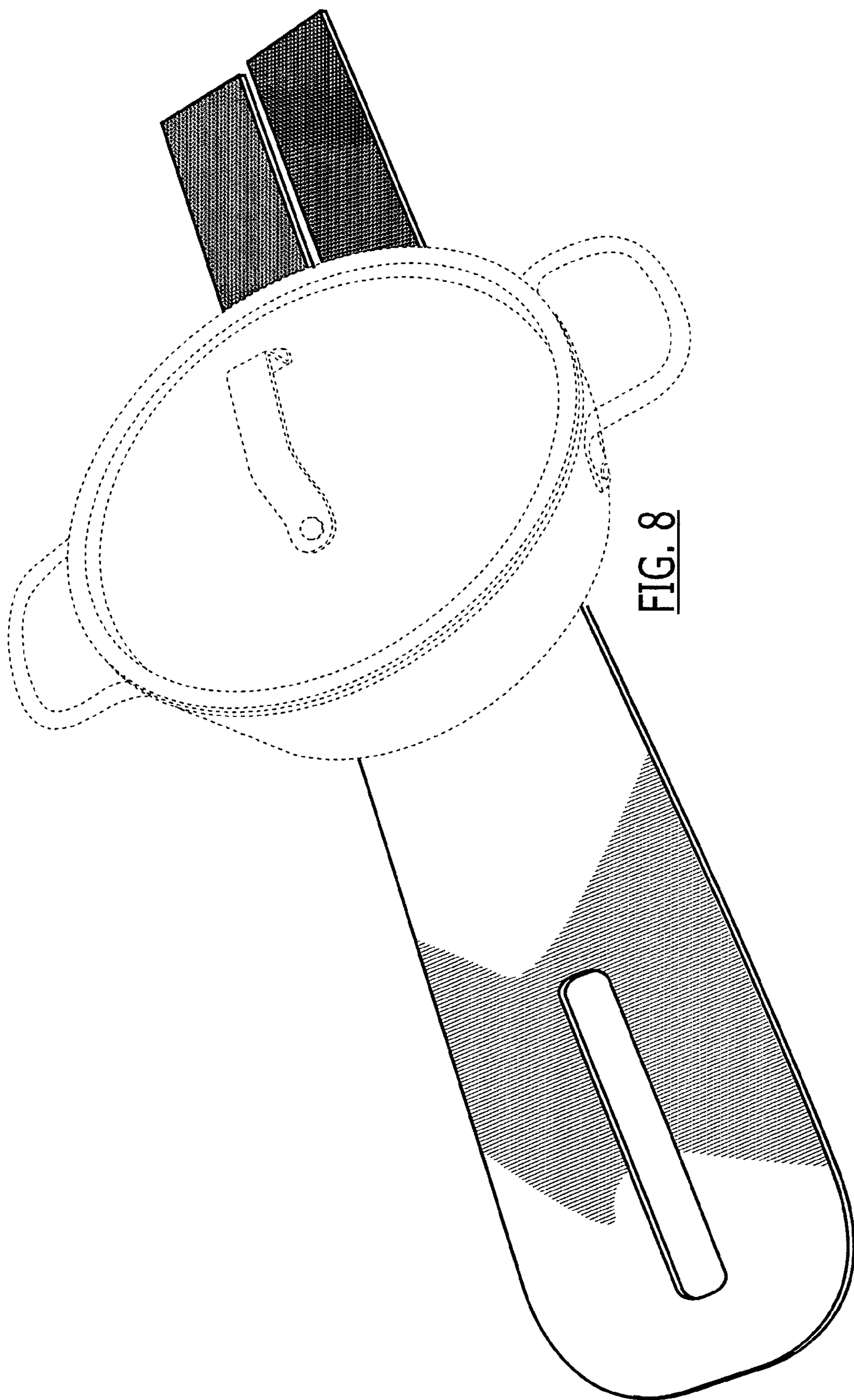


FIG. 7



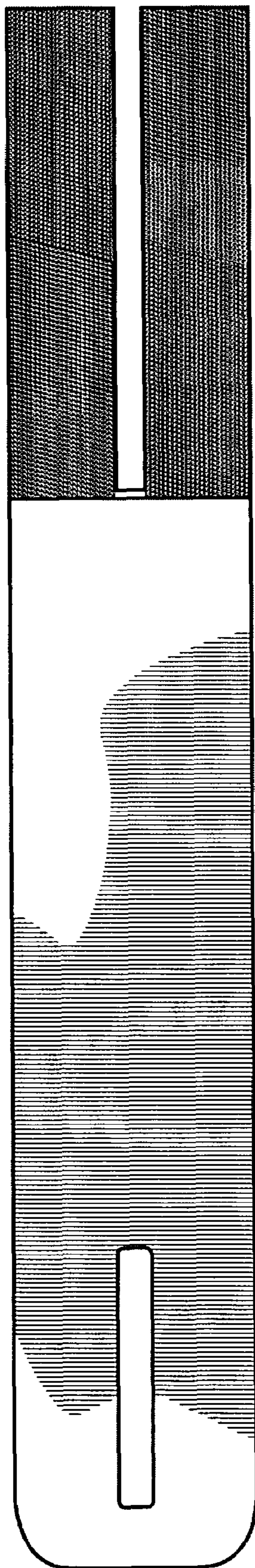


FIG. 9



FIG. 10

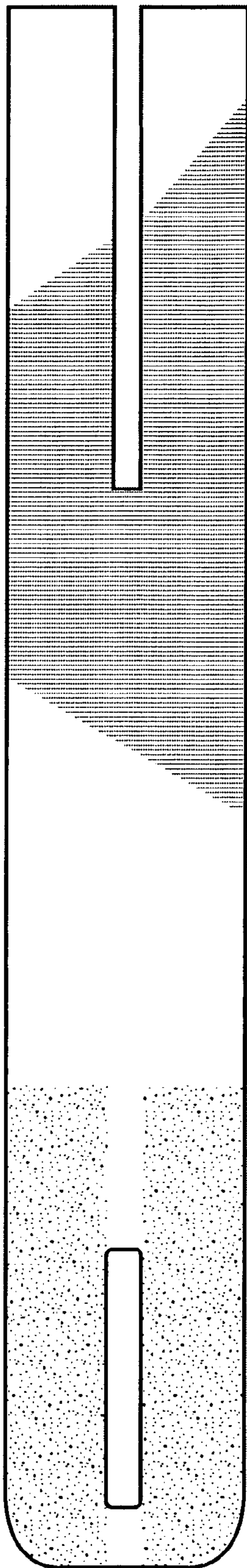


FIG. 11



FIG. 12



FIG. 13



FIG. 14

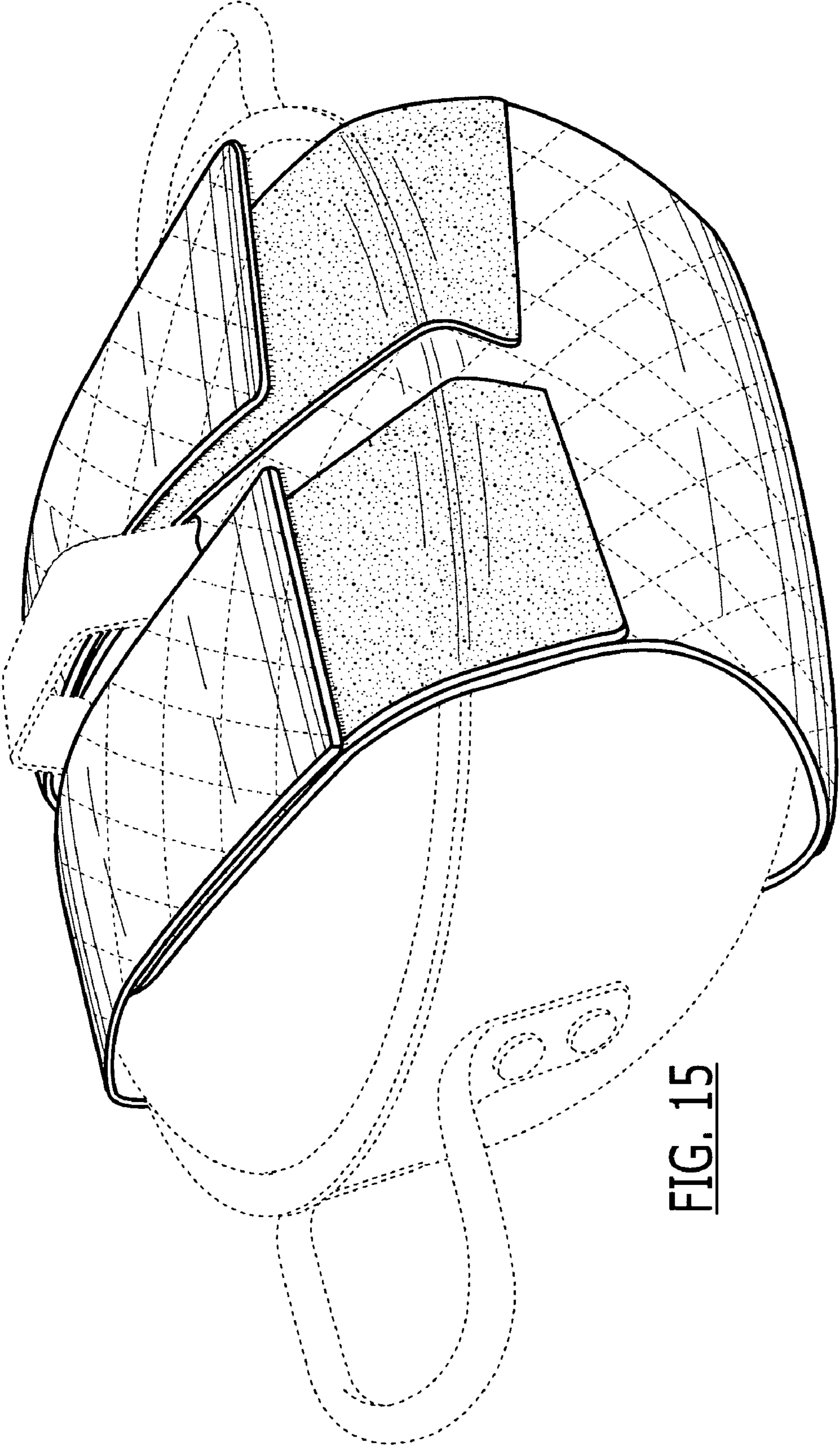


FIG. 15