



US00D583624S

(12) **United States Design Patent**
Silvers

(10) **Patent No.:** **US D583,624 S**

(45) **Date of Patent:** **** Dec. 30, 2008**

(54) **JIGGER**

(75) Inventor: **Michael Silvers**, Chatswood (AU)

(73) Assignee: **Howard Silvers & Sons Pty Ltd**,
Chatswood, New South Wales (AU)

(**) Term: **14 Years**

(21) Appl. No.: **29/271,179**

(22) Filed: **Jan. 11, 2007**

(30) **Foreign Application Priority Data**

Jul. 11, 2006 (AU) 12940/06

(51) **LOC (8) Cl.** **07-01**

(52) **U.S. Cl.** **D7/396.2; D7/509; D7/523**

(58) **Field of Classification Search** D7/500,
D7/503, 509, 523, 387, 392.1, 392.2, 368,
D7/669, 700; D3/202; D8/349; D9/434,
D9/561, 559, 516, 435; D34/1; 141/316;
206/216; 215/387, DIG. 7; 220/703, 592.16,
220/592.17; 229/400; 256/24

See application file for complete search history.

(56) **References Cited**

U.S. PATENT DOCUMENTS

D138,395 S * 8/1944 Howard D7/388
4,775,123 A * 10/1988 Borland et al. 248/99

D421,806 S * 3/2000 Graf et al. D25/113
D487,595 S * 3/2004 Sherman D25/113
D488,381 S * 4/2004 Peronek D9/516
D506,353 S * 6/2005 Heiberg et al. D7/388
7,232,168 B2 * 6/2007 Orefice 294/137

* cited by examiner

Primary Examiner—Philip S Hyder

Assistant Examiner—Cynthia Underwood

(74) *Attorney, Agent, or Firm*—Ladas & Parry LLP

(57) **CLAIM**

The ornamental design for a jigger, as shown and described.

DESCRIPTION

FIG. 1 is a bottom perspective view of the jigger which is the subject of my new design;

FIG. 2 is a top perspective view thereof;

FIG. 3 is a bottom plan view thereof;

FIG. 4 is a top plan view thereof;

FIG. 5 is a rear elevational view thereof;

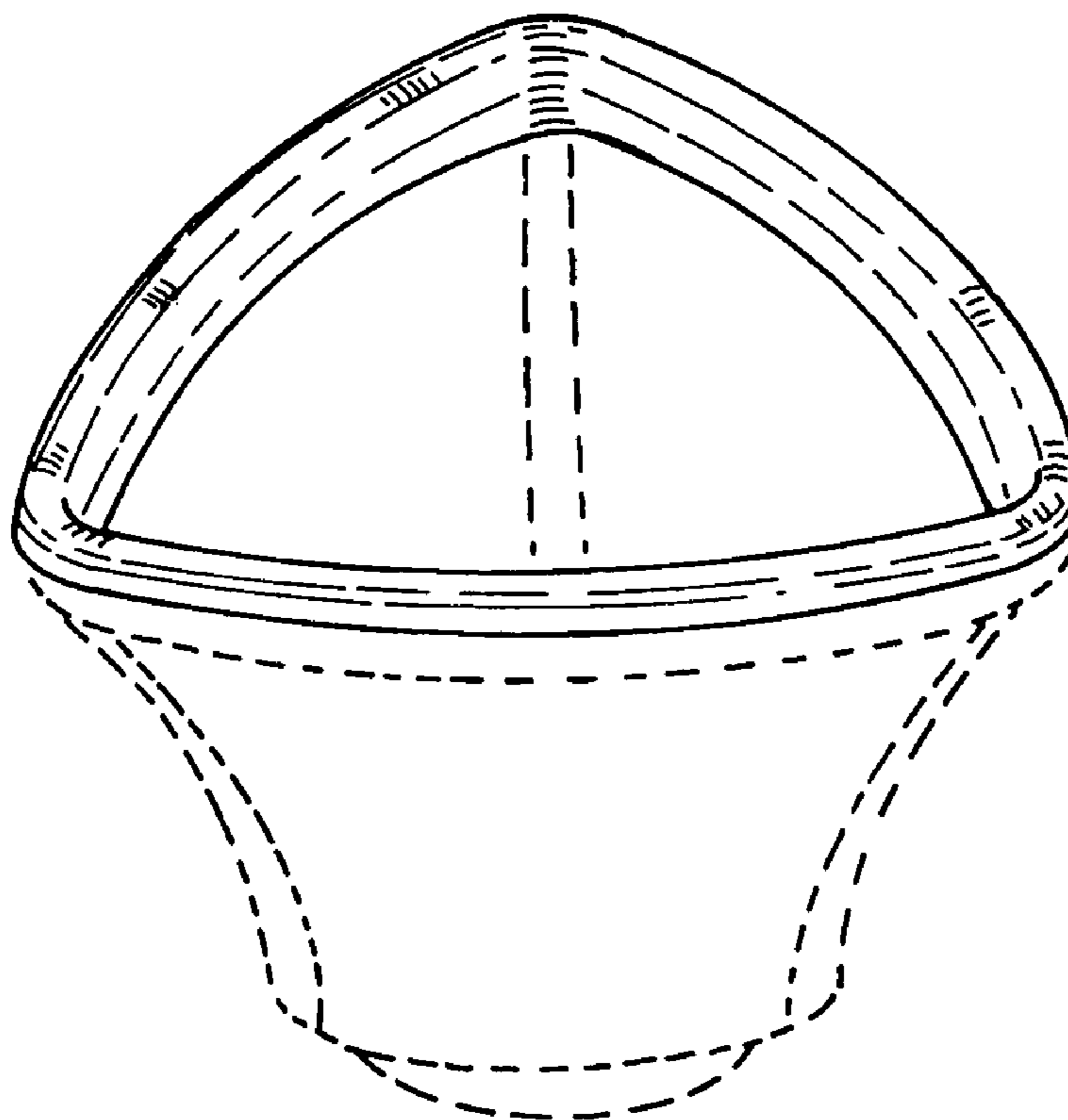
FIG. 6 is a front elevational view thereof;

FIG. 7 is a left side elevational view thereof; and,

FIG. 8 is a right side elevational view thereof.

The portions shown in dotted lines are for purposes of illustration only and form no part of the claimed design.

1 Claim, 4 Drawing Sheets



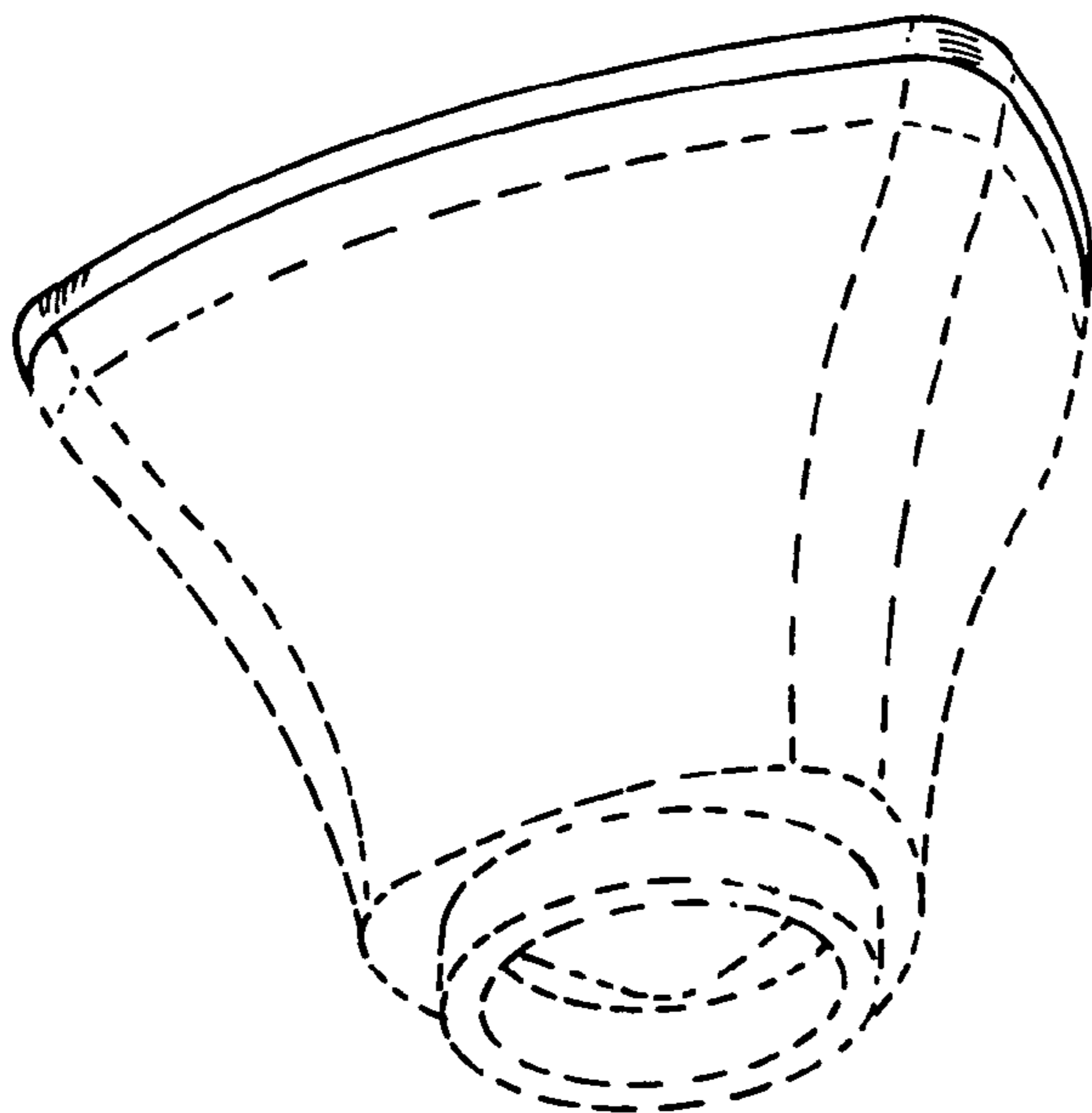


FIG. 1

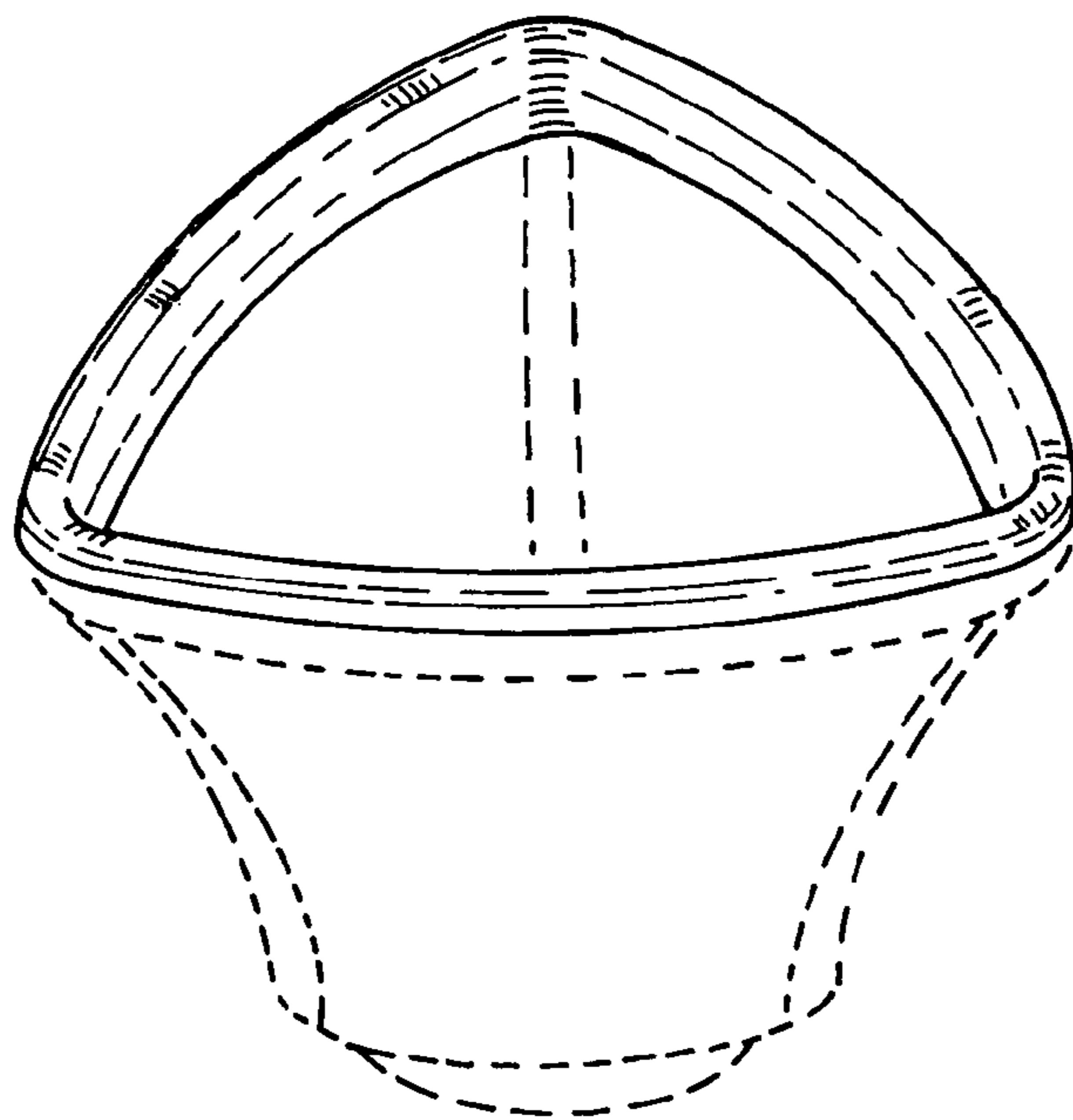


FIG. 2

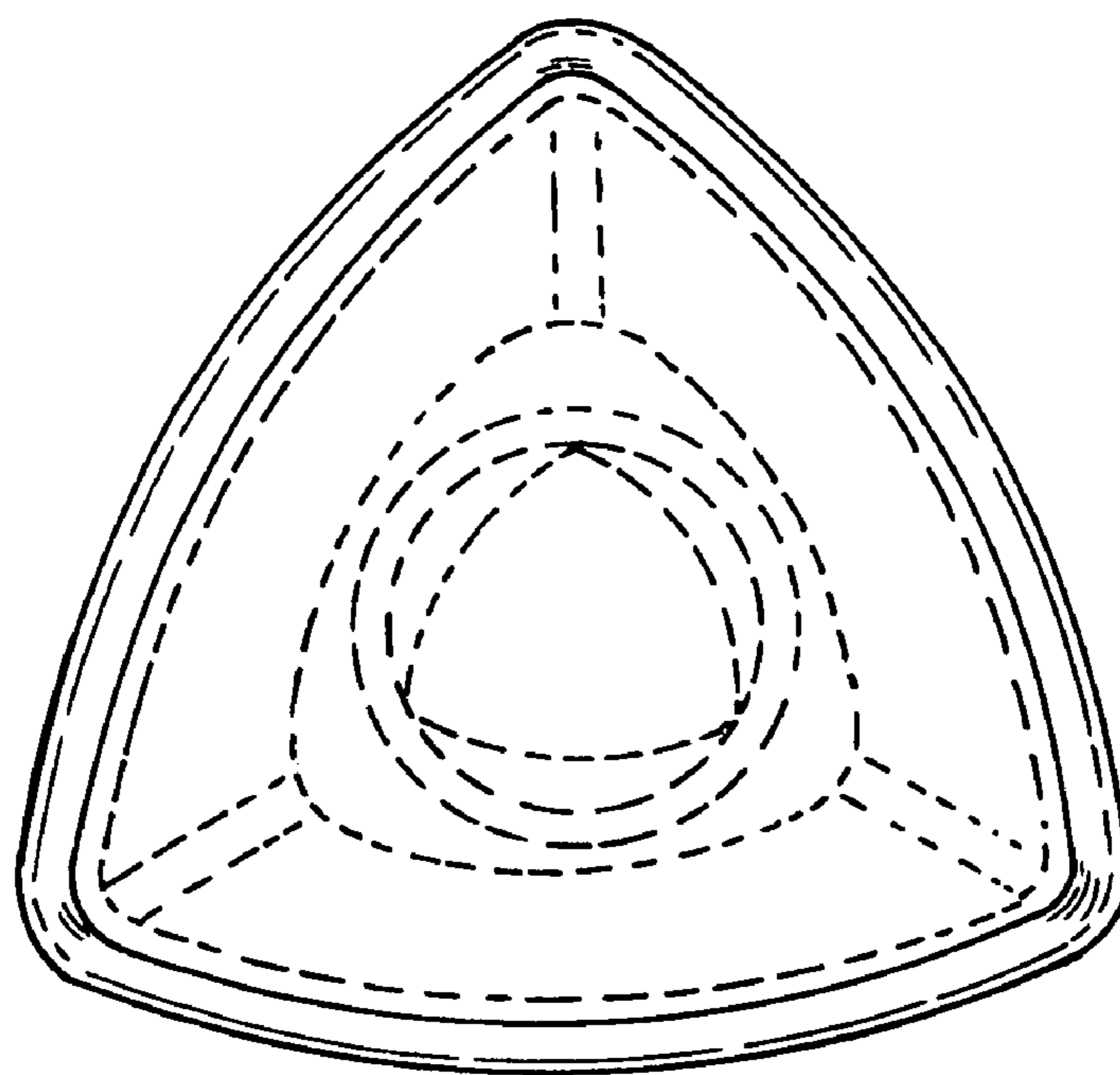


FIG. 3

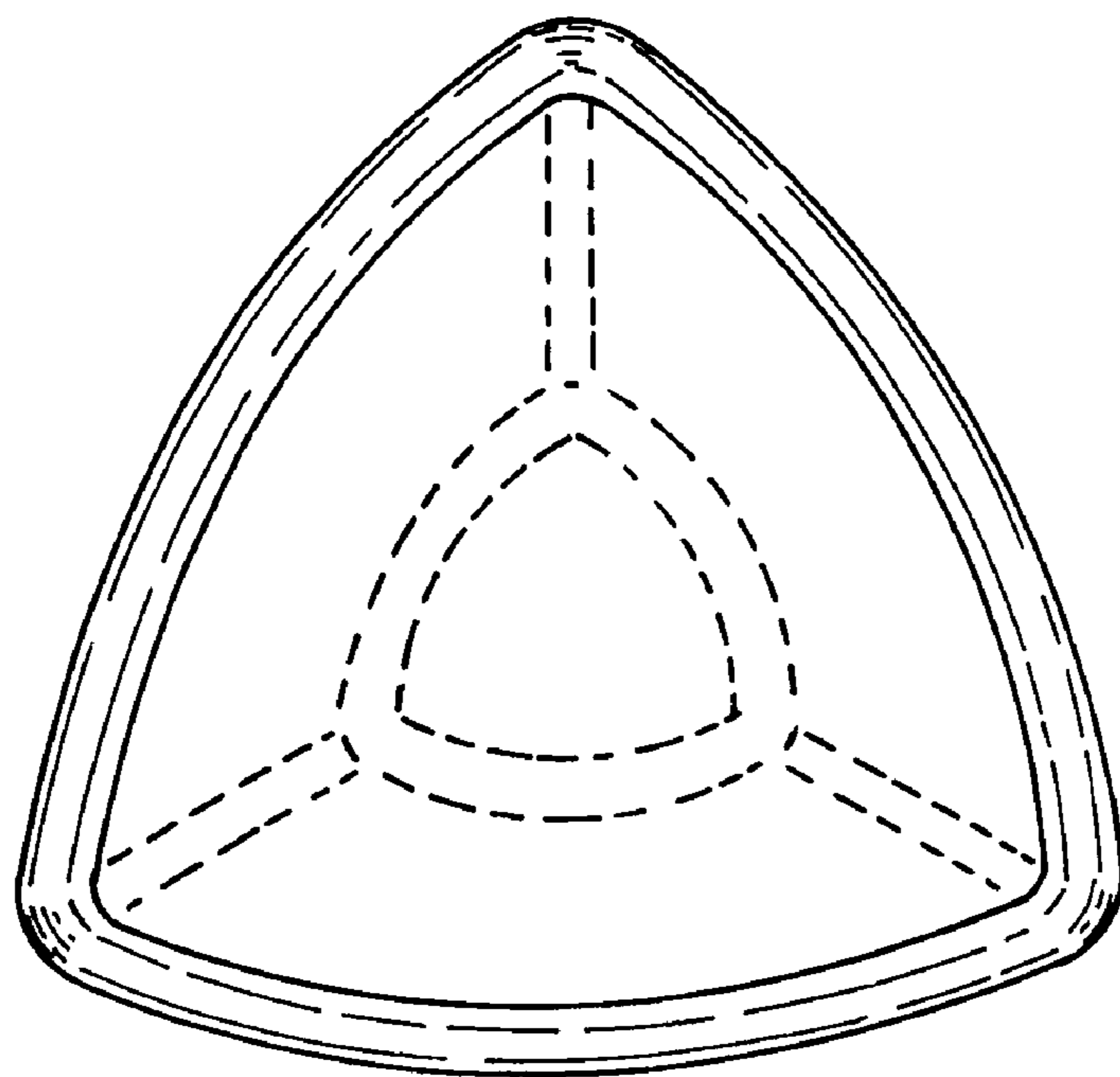


FIG. 4

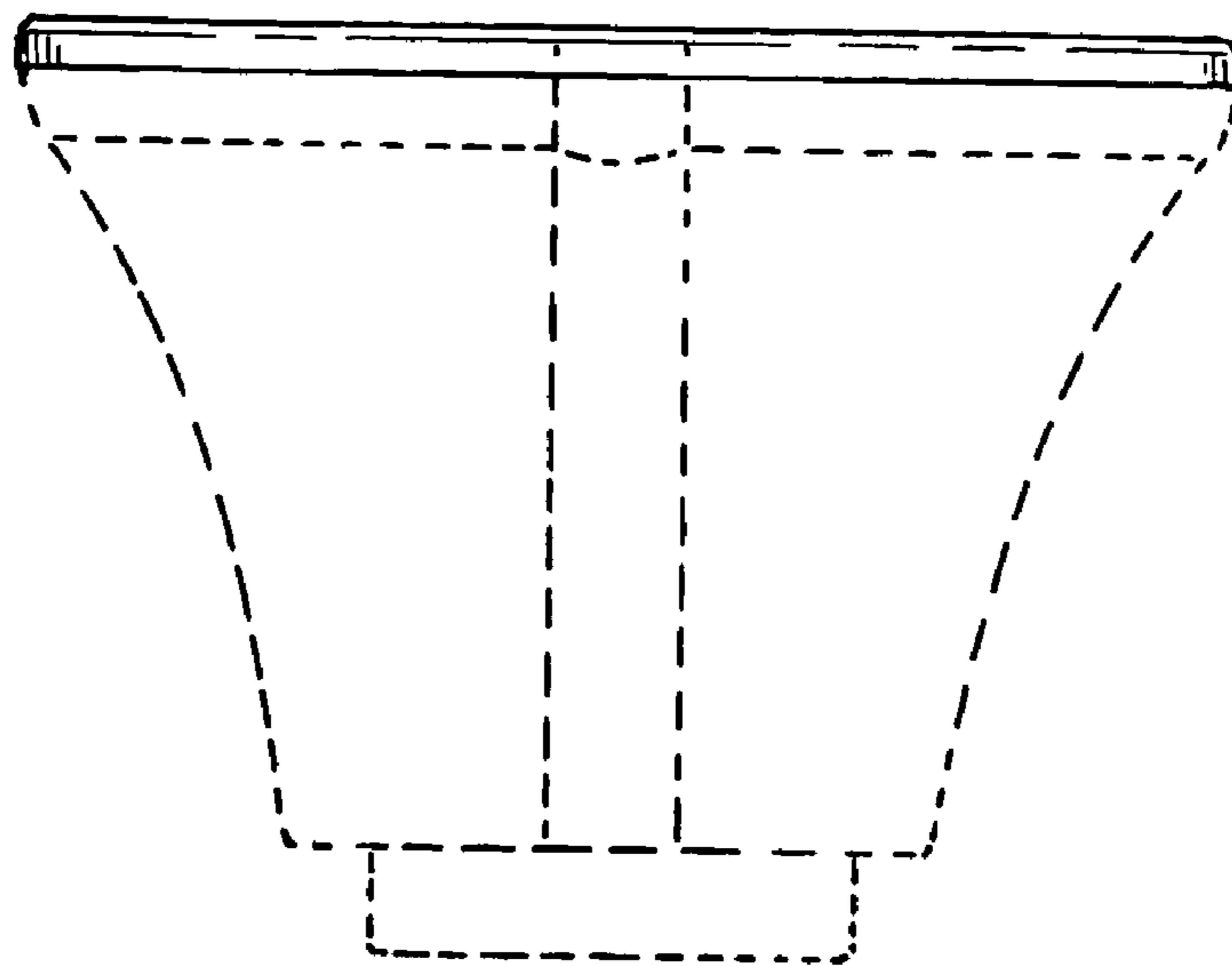


FIG. 5

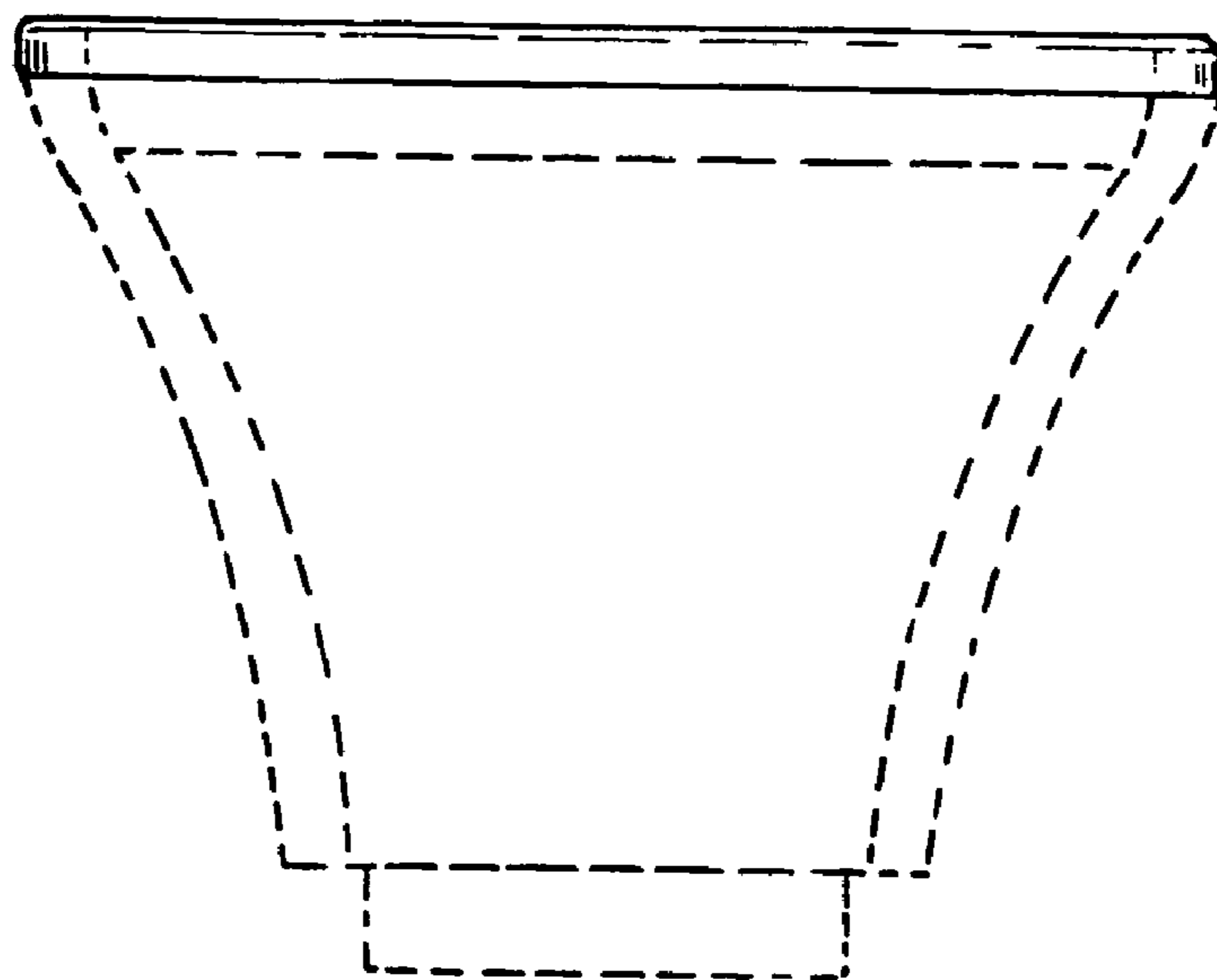


FIG. 6

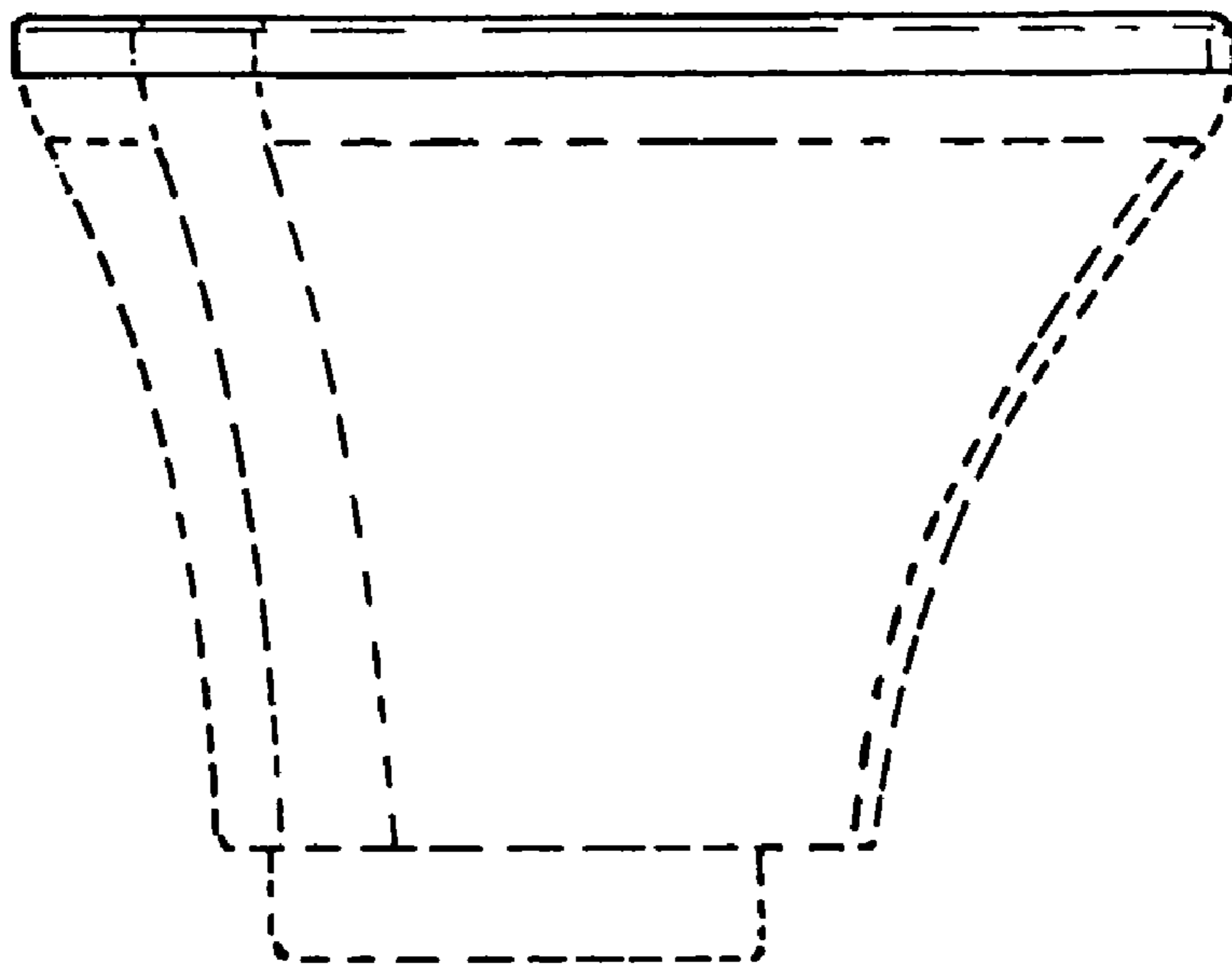


FIG. 7

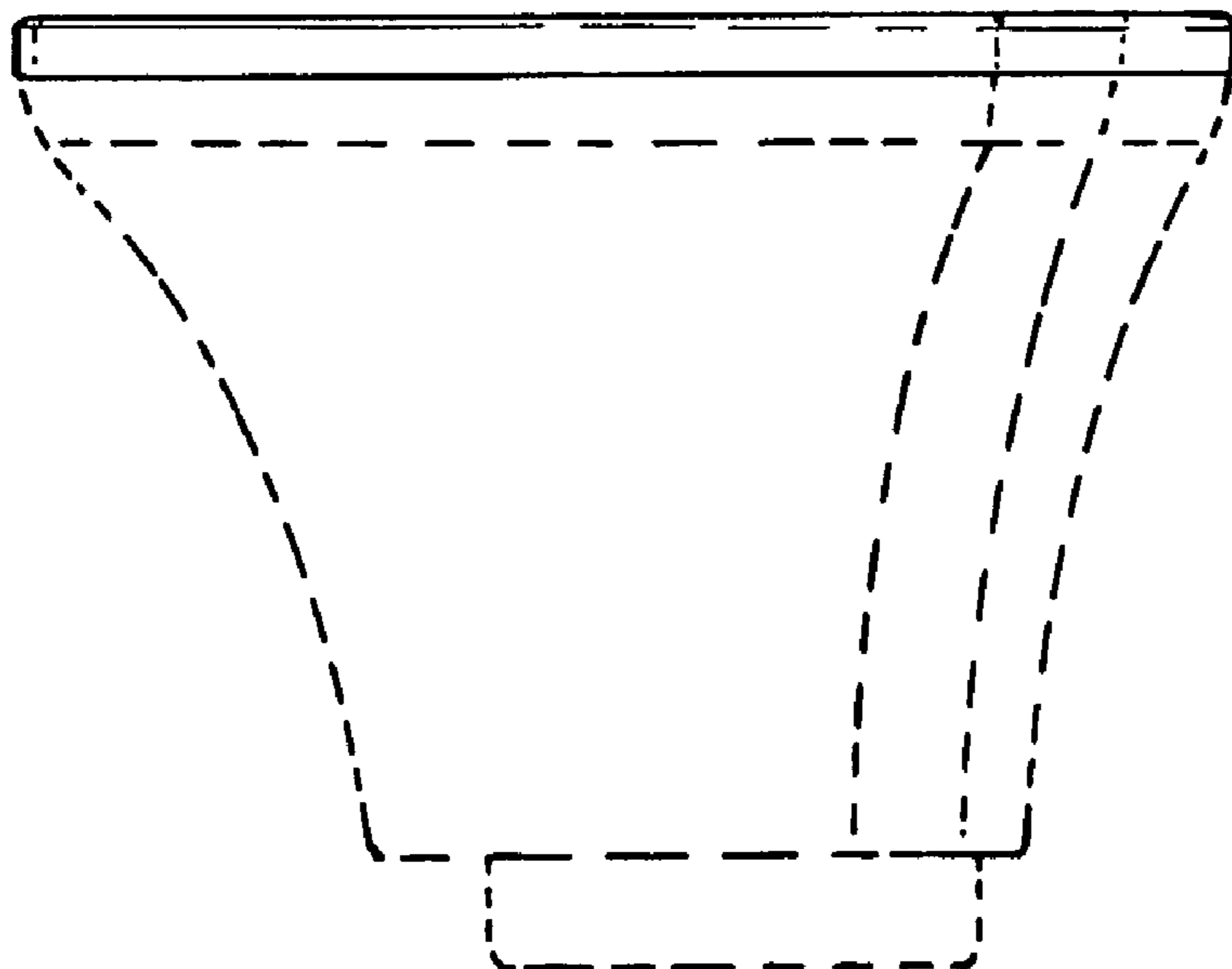


FIG. 8