



US00D583622S

(12) **United States Design Patent**
Dalipi

(10) **Patent No.:** **US D583,622 S**

(45) **Date of Patent:** **** Dec. 30, 2008**

(54) **SPEED-COOKING LID**

(76) **Inventor:** **Dasmir M Dalipi**, 2900 E. Lincoln Way,
Sterling, IL (US) 61081

(**) **Term:** **14 Years**

(21) **Appl. No.:** **29/298,016**

(22) **Filed:** **Nov. 27, 2007**

(51) **LOC (8) Cl.** **07-02**

(52) **U.S. Cl.** **D7/391**

(58) **Field of Classification Search** D7/317,
D7/323, 354-361, 376, 391, 392.1, 393, 538-542,
D7/584-588; D8/107, 300, 306-307, 317;
D26/73; 16/110.1, 415, 419, 430-431, 436,
16/444; 99/297; 220/200, 212.5, 367.1,
220/376, 573.1-573.5, 625, 731, 752-755,
220/912; 301/37.103, 37.104; 366/260
See application file for complete search history.

(56) **References Cited**

U.S. PATENT DOCUMENTS

- 586,470 A * 7/1897 Widder 366/260
- 1,590,831 A * 6/1926 Jones 366/260
- 2,291,708 A * 8/1942 Gluck 366/260
- 2,481,352 A * 9/1949 Sabatella 366/260
- D167,259 S * 7/1952 Fox D7/376
- 4,365,544 A * 12/1982 Howitt 99/297

- D342,414 S * 12/1993 Jorgensen D7/317
- D385,152 S * 10/1997 Rae D7/391
- D420,251 S * 2/2000 Brady D7/392.1
- D456,205 S * 4/2002 Fromm D7/376
- D536,572 S * 2/2007 Molayem D7/391
- D540,973 S * 4/2007 Maestoso D26/73

* cited by examiner

Primary Examiner—Caron Veynar
Assistant Examiner—Ricky Pham

(57) **CLAIM**

The ornamental design for a speed-cooking lid, as shown.

DESCRIPTION

FIG. 1 is a front elevational view of the speed-cooking lid showing my new design;

FIG. 2 is a rear elevational view of the speed-cooking lid thereof;

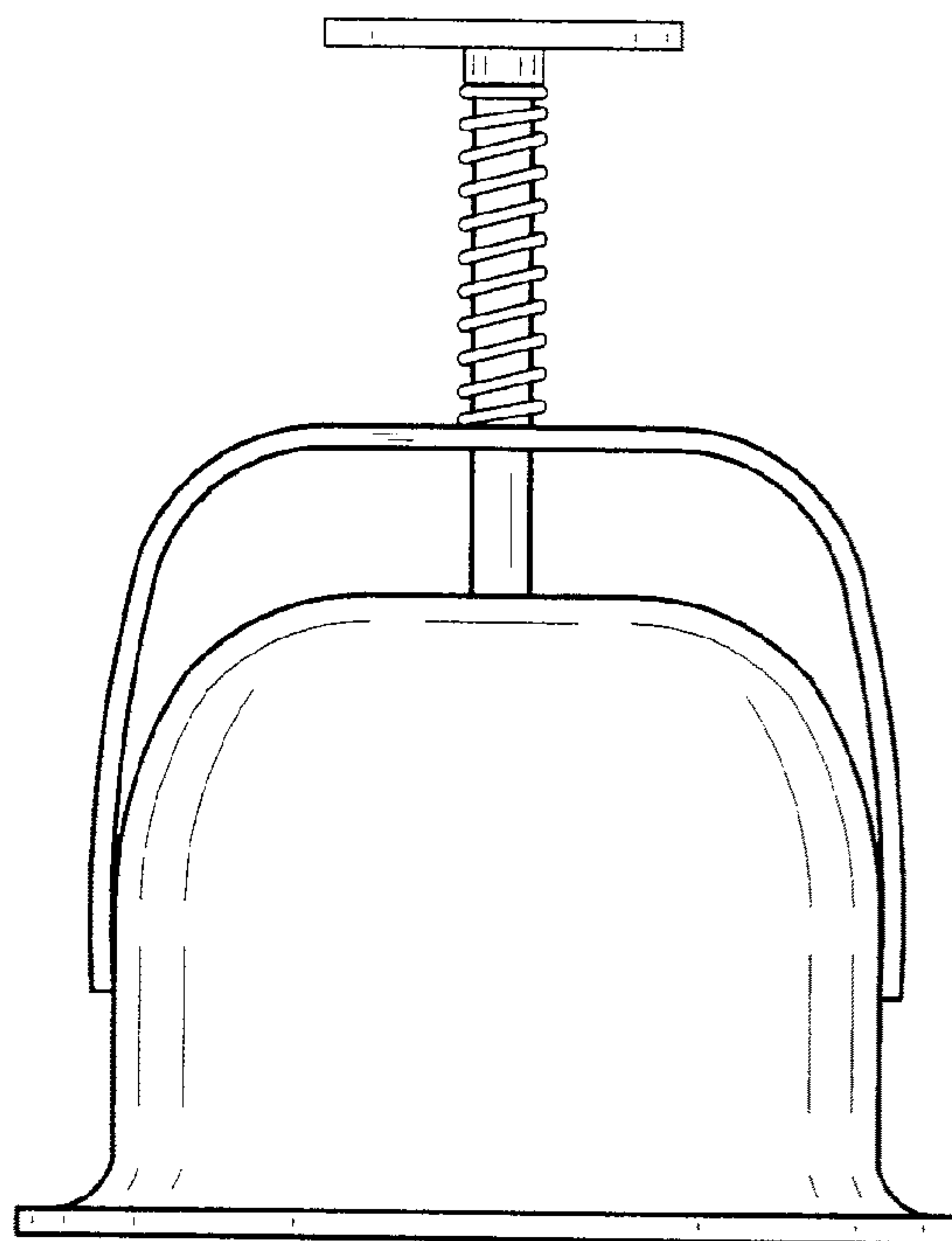
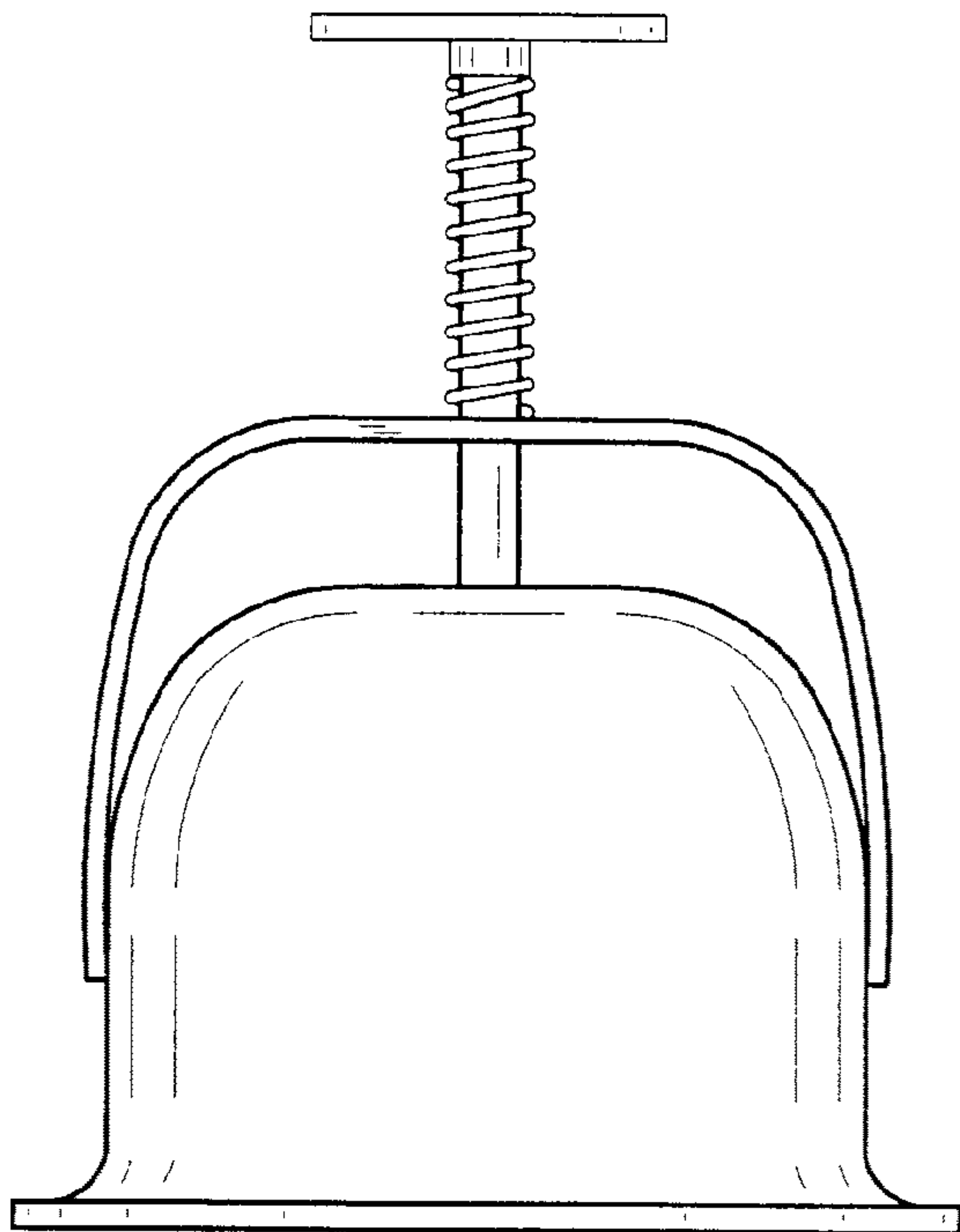
FIG. 3 is a left-side elevational view of the speed-cooking lid thereof;

FIG. 4 is right side elevational view of the speed-cooking lid thereof;

FIG. 5 is a top plan view of the speed-cooking lid thereof; and,

FIG. 6 is a bottom plan view of the speed-cooking lid thereof.

1 Claim, 3 Drawing Sheets



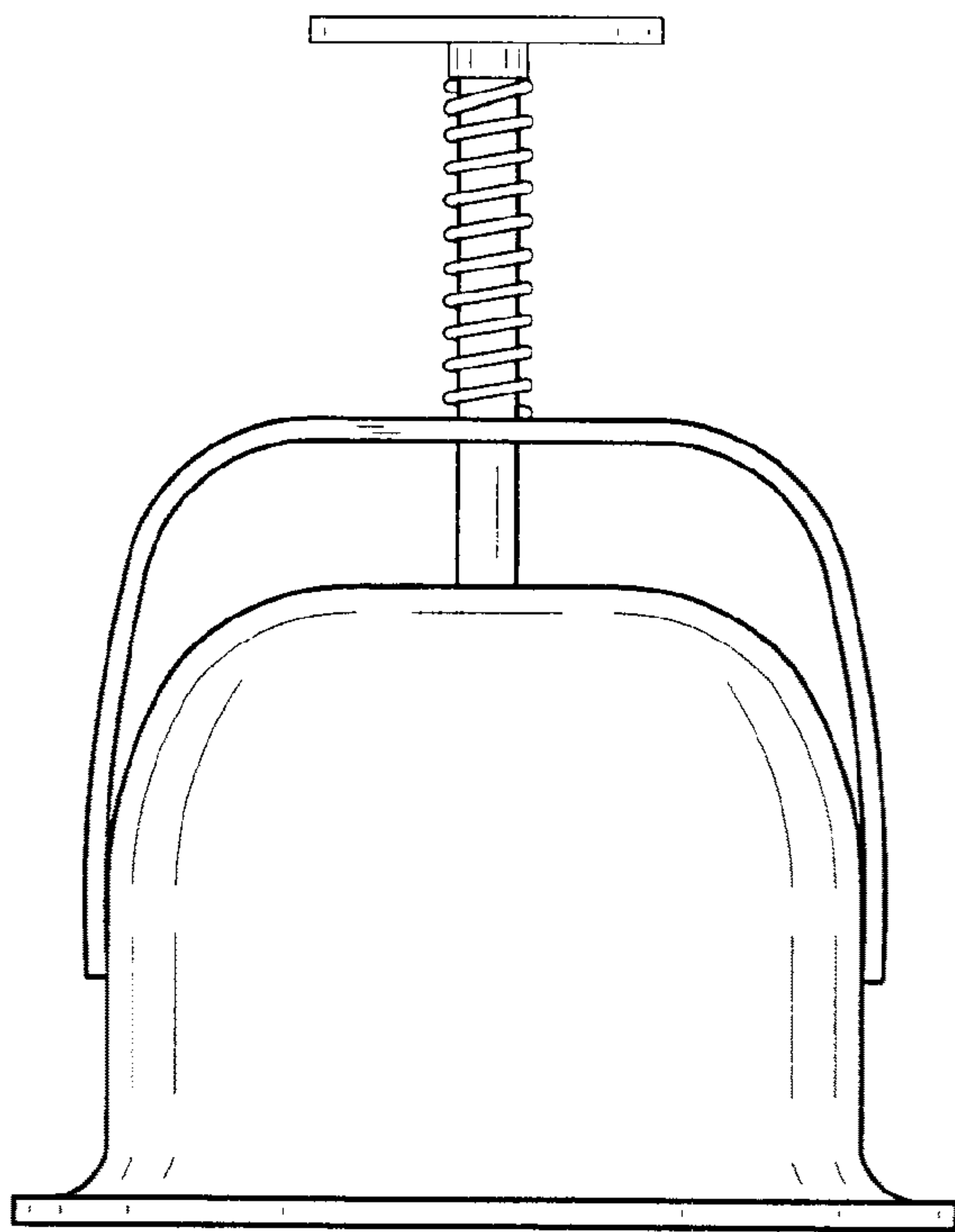


FIG. 1

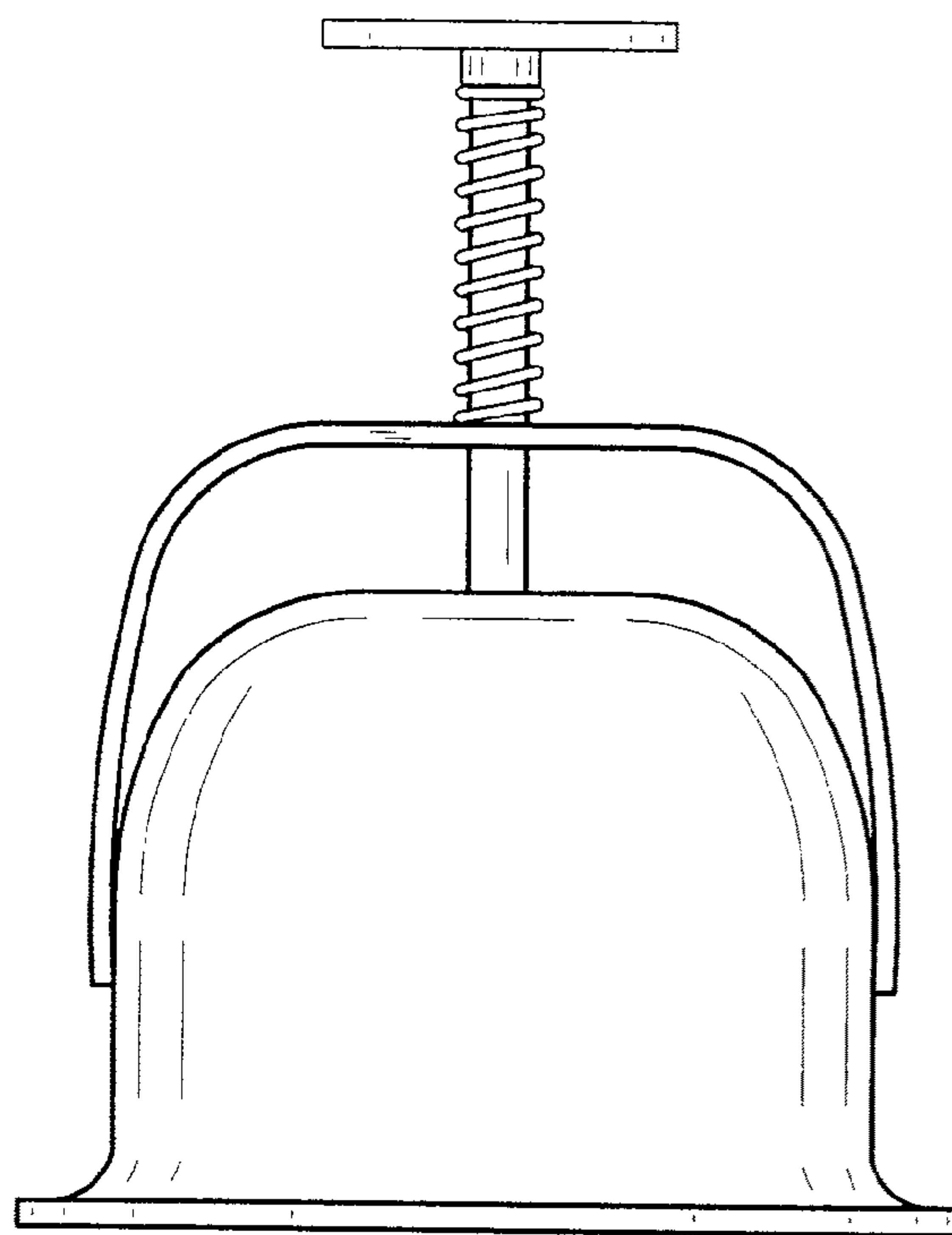


FIG. 2

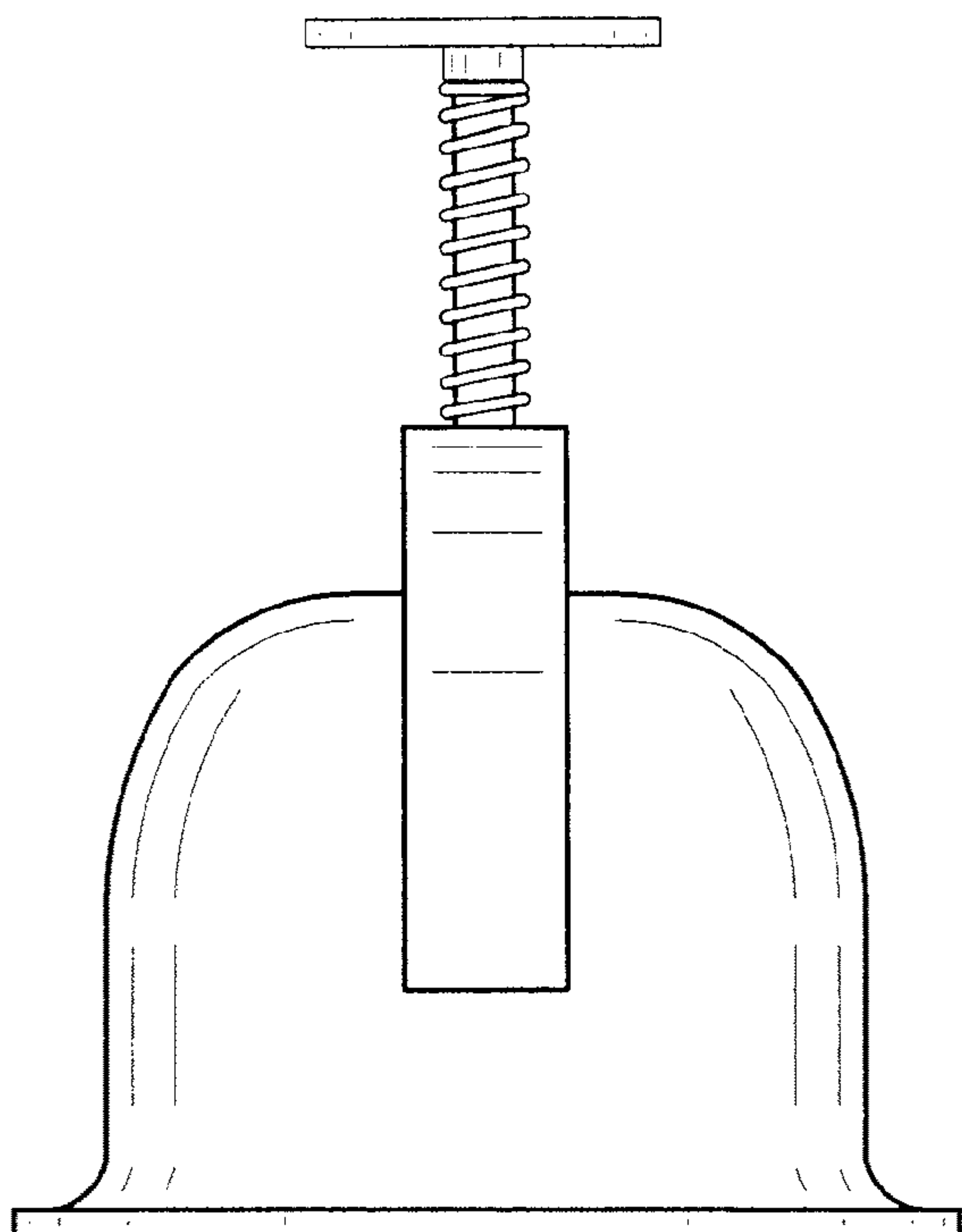


FIG. 3

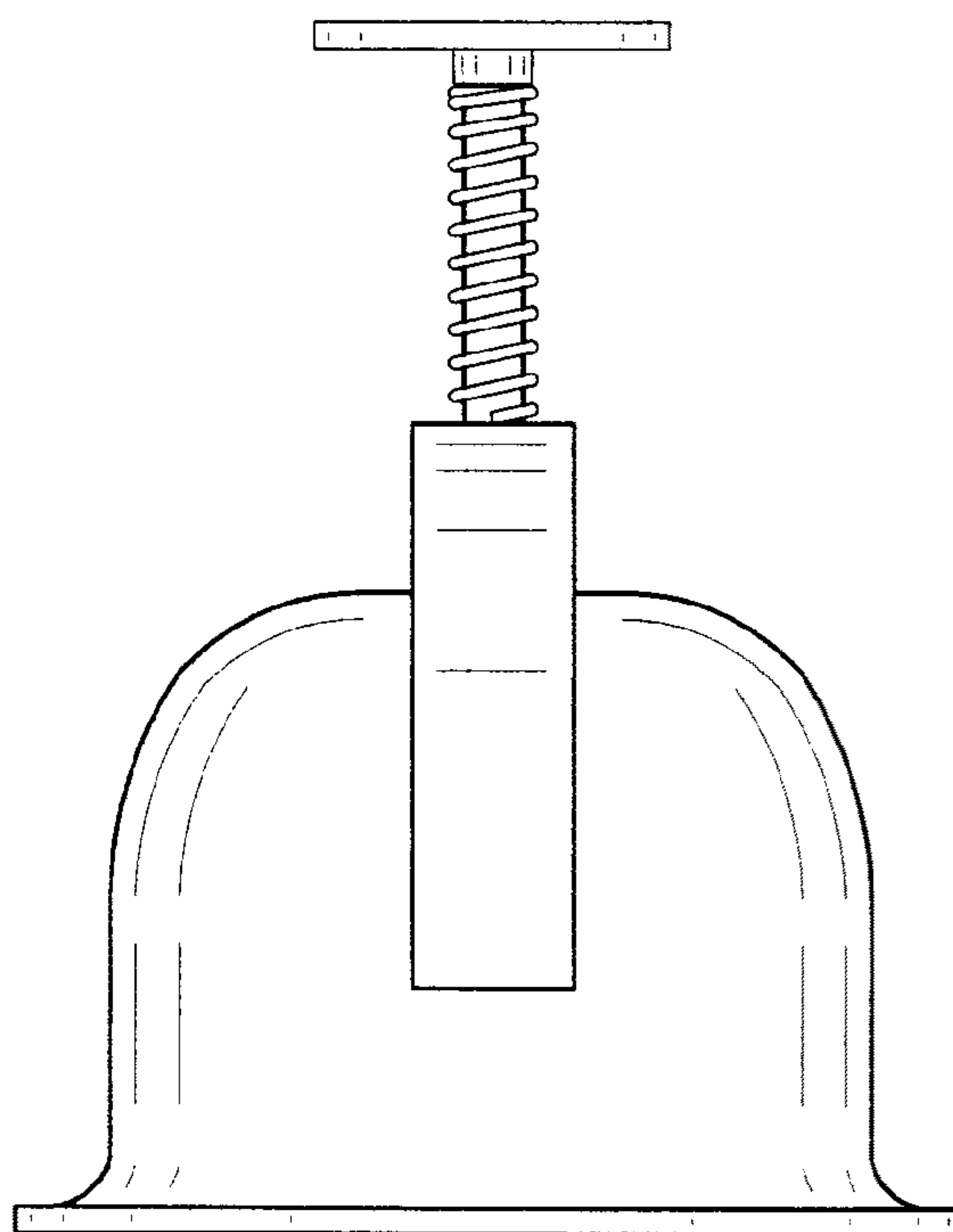


FIG. 4

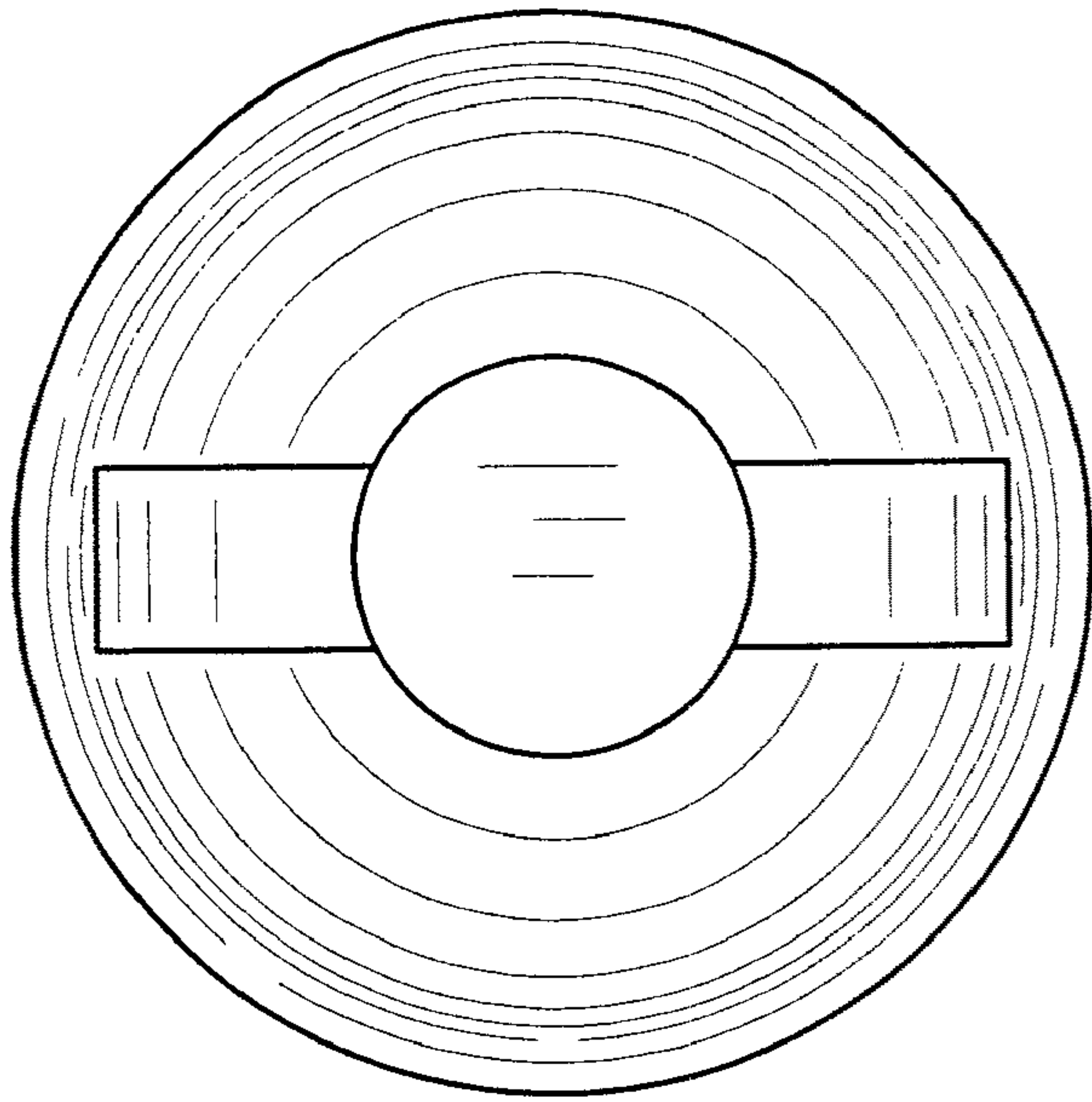


FIG. 5

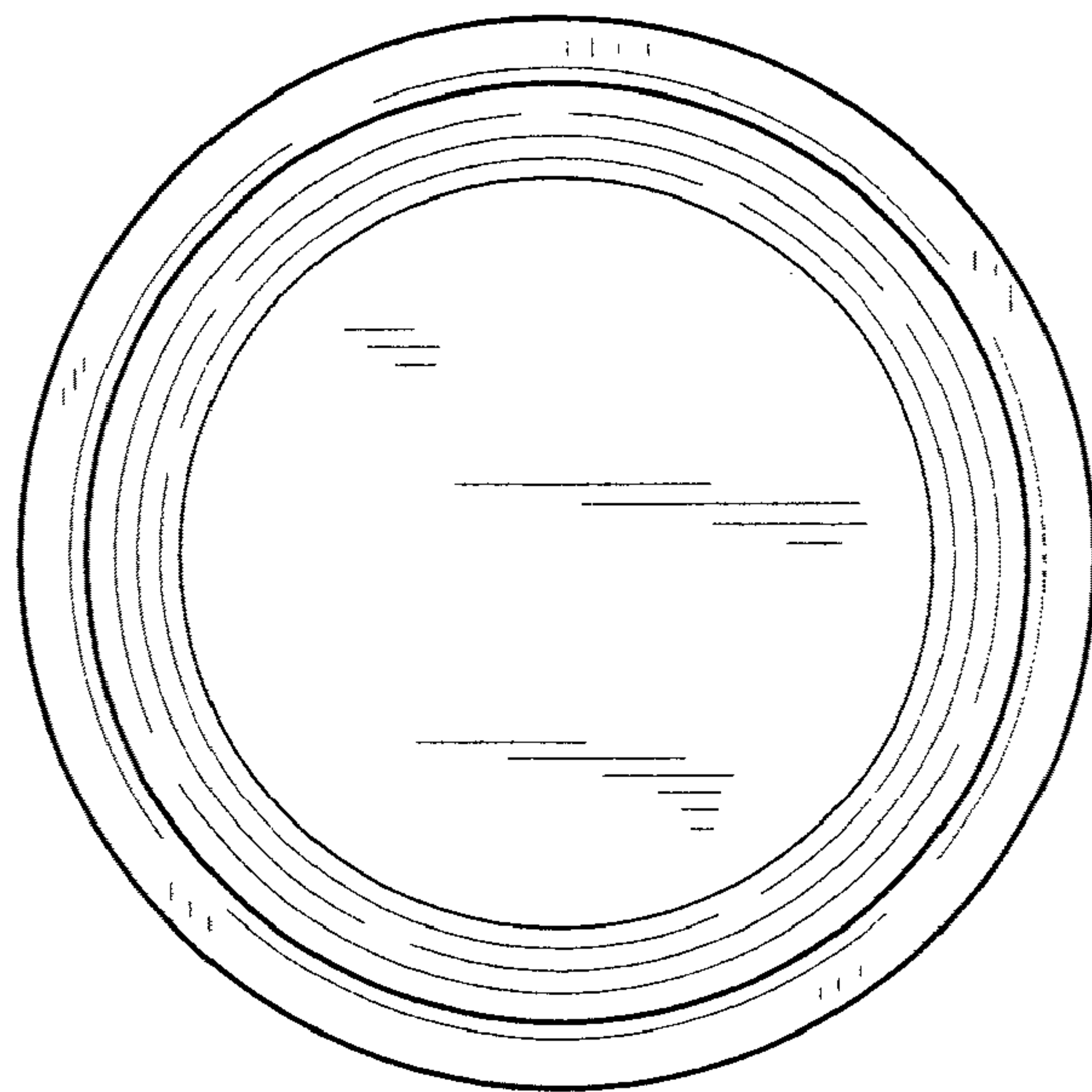


FIG. 6