



US00D583619S

(12) **United States Design Patent**
Basten et al.

(10) **Patent No.:** **US D583,619 S**
(45) **Date of Patent:** **** Dec. 30, 2008**

(54) **GRANULATION/MIXING MACHINE WITH STORAGE CABINET**

D323,944 S * 2/1992 Maas D6/436
D433,267 S * 11/2000 Werts D7/347
6,988,824 B2 * 1/2006 Santospago et al. 366/217

(75) Inventors: **Aaron K. Basten**, Solon, IA (US);
James G Spencer, Marion, IA (US)

* cited by examiner

(73) Assignee: **Vector Corporation**, Marion, IA (US)

Primary Examiner—Caron Veynar

Assistant Examiner—Ricky Pham

(**) Term: **14 Years**

(74) *Attorney, Agent, or Firm*—McKee, Voorhees & Sease, P.L.C.

(21) Appl. No.: **29/319,671**

(22) Filed: **Jun. 12, 2008**

(57) **CLAIM**

(51) **LOC (8) Cl.** **31-00**

The ornamental design for a granulation/mixing machine with storage cabinet, as shown.

(52) **U.S. Cl.** **D7/376**

(58) **Field of Classification Search** D6/397,
D6/421–432, 436; D7/317–318, 356, 376–386,
D7/412–415, 665; D15/147; 108/33–34,
108/38, 50.01–50.02, 115; 241/101.01–101.2,
241/166–169.1, 274–278.2, 285.1–285.3,
241/291, 292.1; 312/194–196, 239; 366/64–6,
366/197–211, 205–206, 217, 241–254, 279–292,
366/341–346

DESCRIPTION

See application file for complete search history.

FIG. 1 is a perspective view of the granulation/mixing machine of the present invention.

FIG. 2 is a front elevation view of the machine.

FIG. 3 is a top plan view of the machine; and,

FIGS. 4 and 5 are elevation views from opposite sides of the machine.

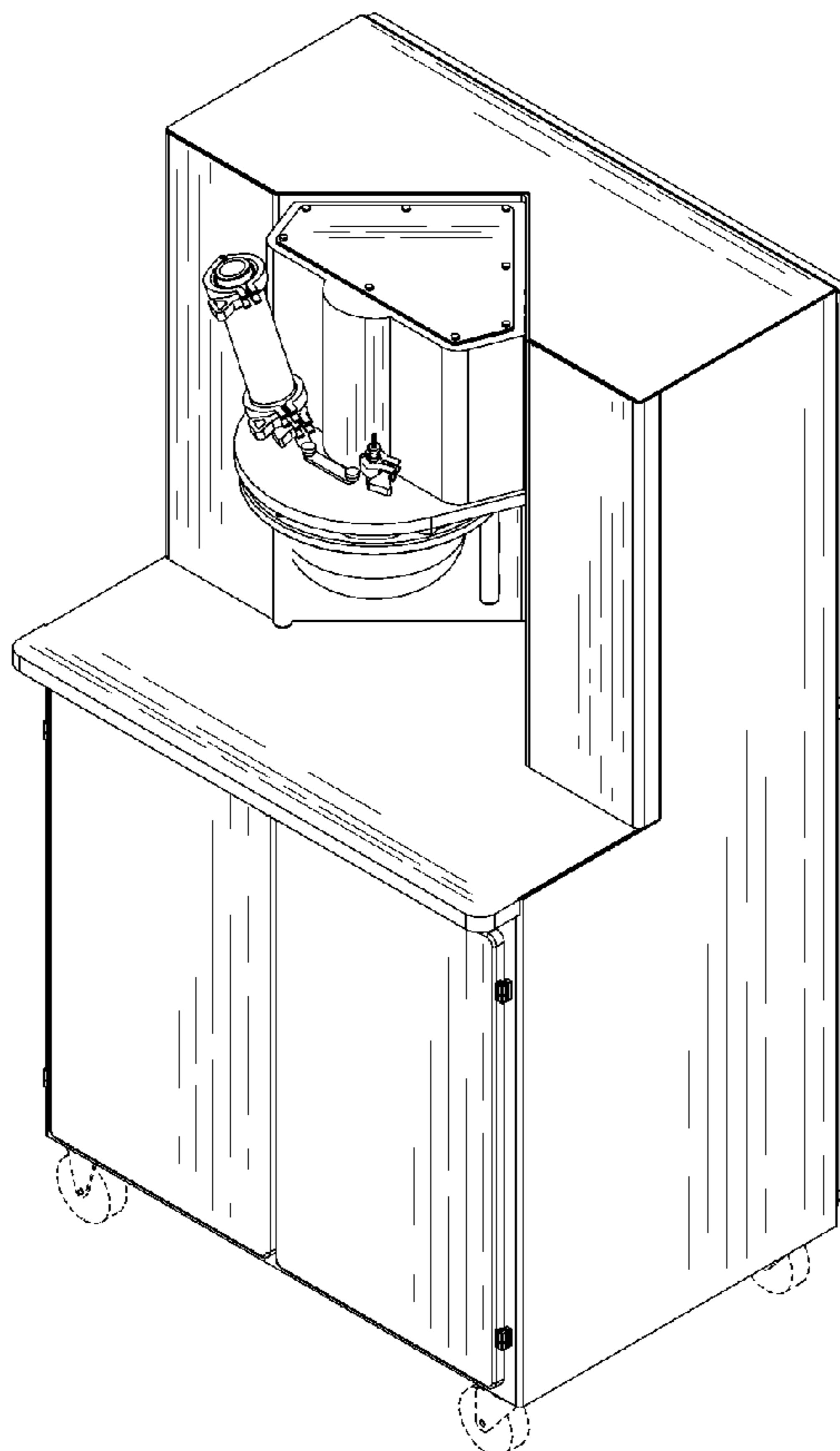
(56) **References Cited**

The broken lines shown in the drawings are for illustrative purposes only and form no part of the claimed design.

U.S. PATENT DOCUMENTS

D254,973 S * 5/1980 Ahrenskou-Sorensen .. D15/147

1 Claim, 3 Drawing Sheets



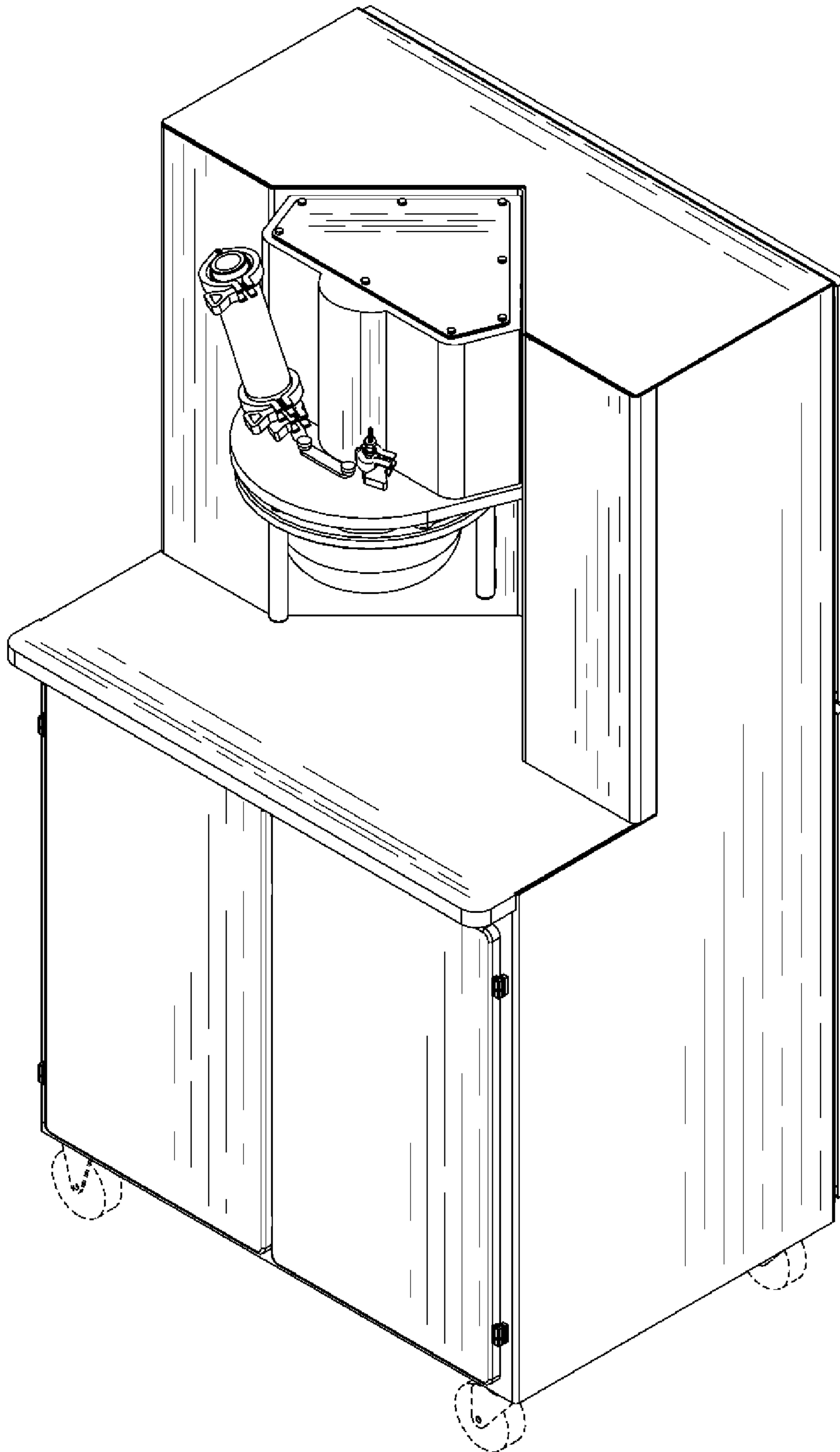


FIG. 1

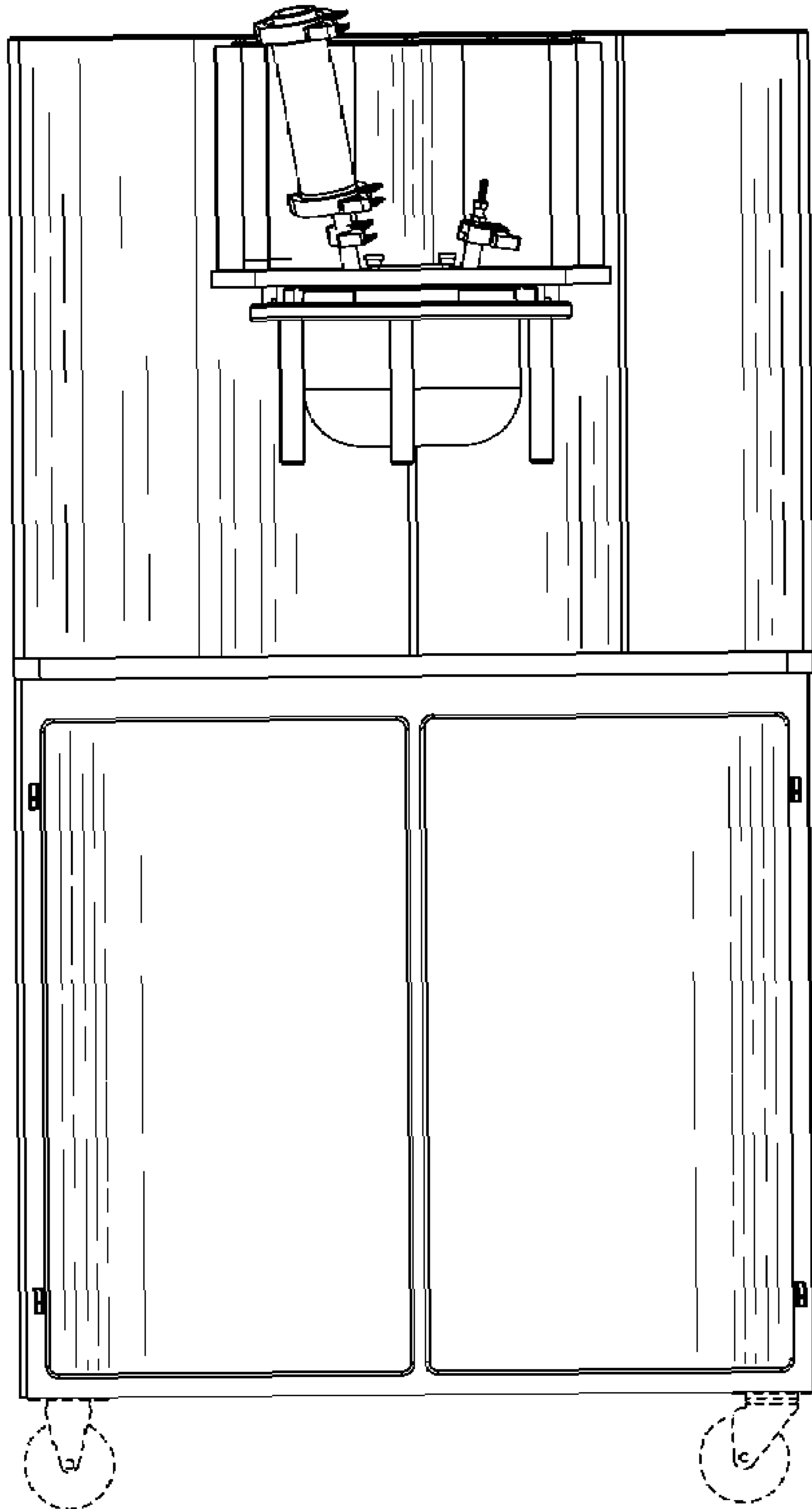


FIG. 2

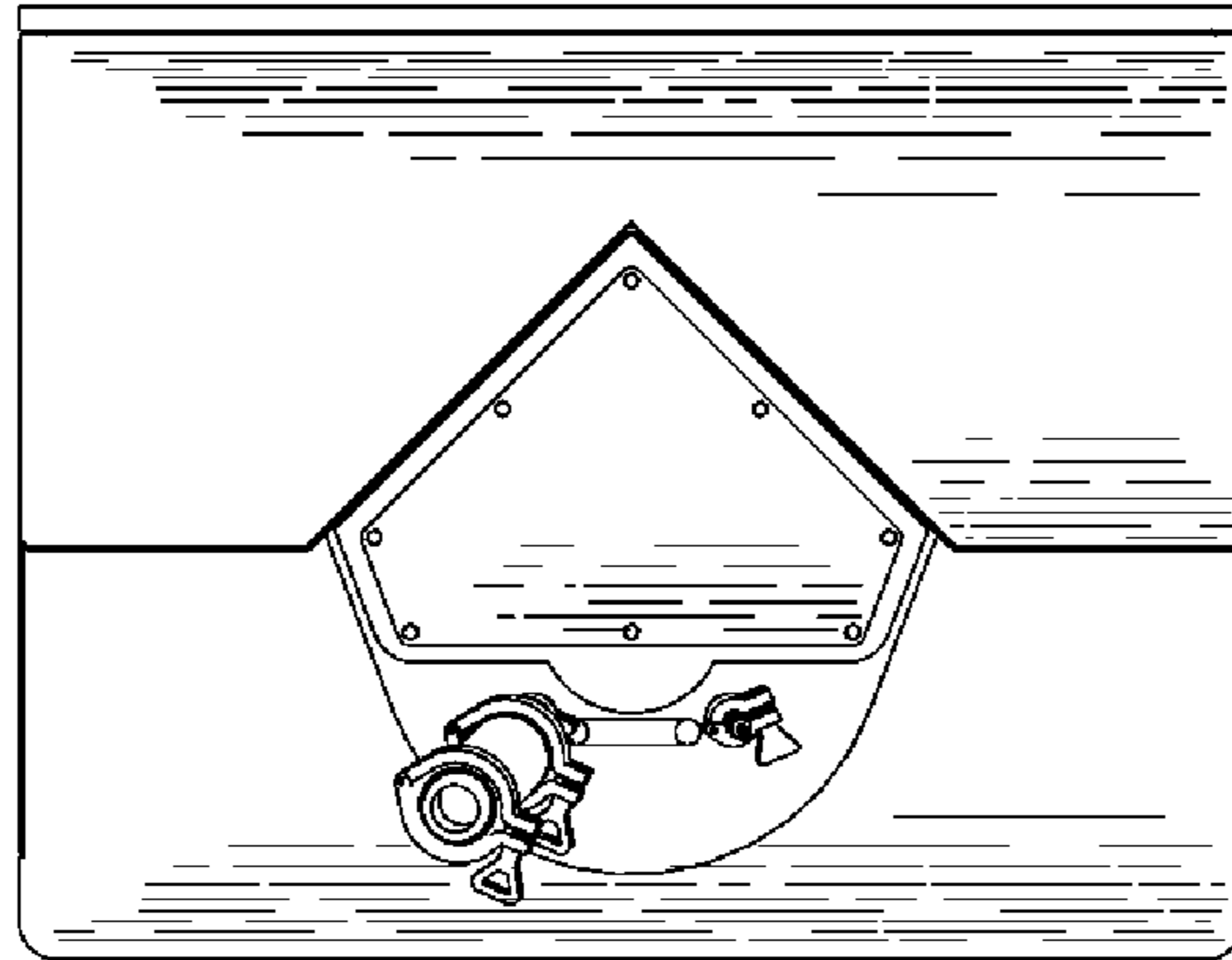


FIG. 3

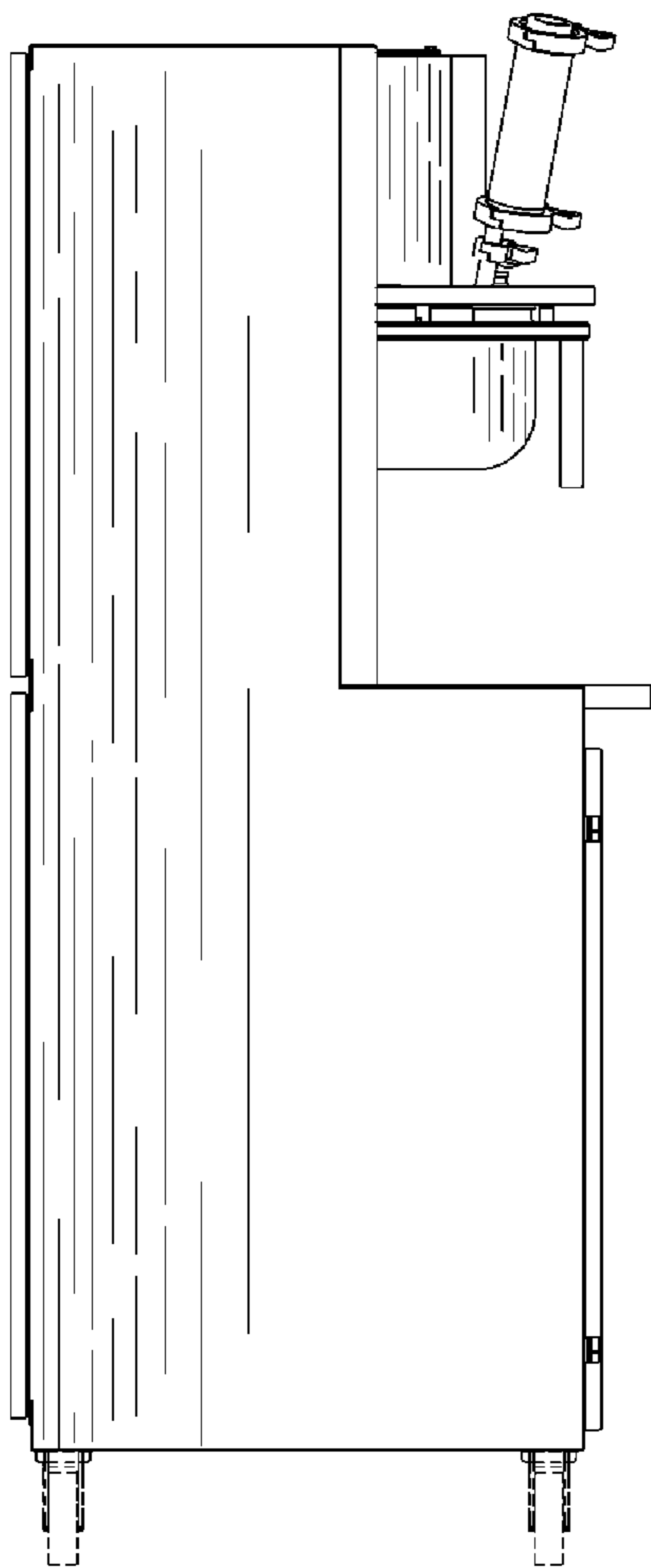


FIG. 4

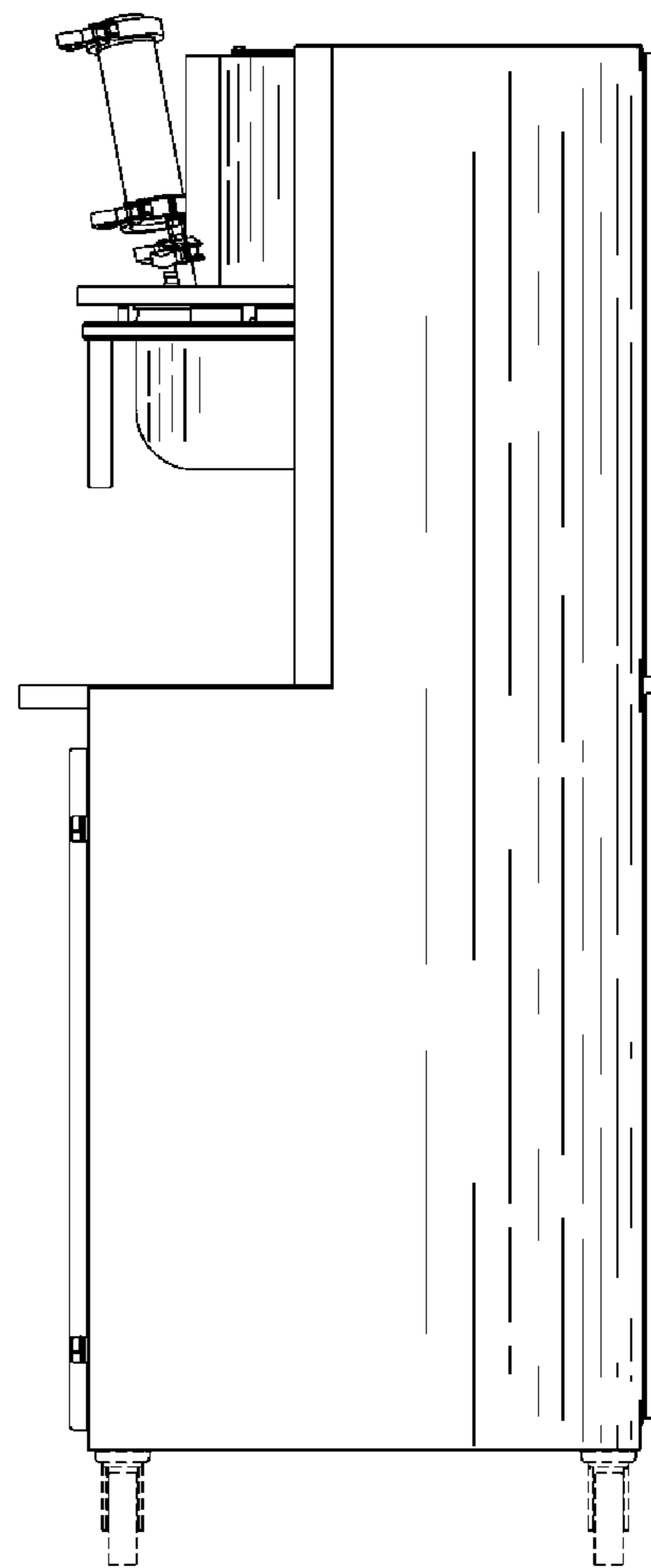


FIG. 5