



US00D583618S

(12) **United States Design Patent**
Blackburn et al.

(10) **Patent No.:** **US D583,618 S**
(45) **Date of Patent:** **** Dec. 30, 2008**

(54) **MIXING APPARATUS**

(75) Inventors: **Neal H. Blackburn**, Springfield, OH (US); **Janice Jones Schnipke**, Springfield, OH (US); **Joseph C. Huang**, Dayton, OH (US); **Jeffrey T. DeBord**, Worthington, OH (US); **Ryan R. Berger**, Columbus, OH (US)

(73) Assignee: **Premark FEG L.L.C.**, Wilmington, DE (US)

(**) Term: **14 Years**

(21) Appl. No.: **29/305,506**

(22) Filed: **Mar. 21, 2008**

(51) **LOC (8) Cl.** **31-00**

(52) **U.S. Cl.** **D7/376**

(58) **Field of Classification Search** D7/317–318, D7/356, 376–386, 412–415, 665; 99/348, 99/509–511; 222/465.1; 241/30–37.5, 101.01–101.2, 241/166–169.1, 274–278.2, 285.1–285.3, 241/291, 292.1; 366/64–67, 98, 192, 197–211, 366/205–20, 241–254, 279–292, 341–347
See application file for complete search history.

(56) **References Cited**

U.S. PATENT DOCUMENTS

D111,616	S	*	10/1938	Rosengren	D7/379
2,306,245	A	*	12/1942	Duke	366/98
D163,423	S	*	5/1951	Schimanski	D7/379
5,348,393	A	*	9/1994	Pappas, Jr.	366/207
D362,994	S	*	10/1995	Ratermann et al.	D7/376
5,533,806	A	*	7/1996	Veltrop et al.	366/347
5,860,738	A	*	1/1999	Brinkman	366/197
6,068,398	A	*	5/2000	Lin	366/347
D459,145	S	*	6/2002	Short	D7/379
D468,581	S	*	1/2003	Short	D7/379
D482,564	S	*	11/2003	Short	D7/379
D490,271	S	*	5/2004	Short et al.	D7/412
6,883,959	B2	*	4/2005	Donthnier et al.	366/203
7,014,354	B2	*	3/2006	Donthnier et al.	366/203

D540,113	S	*	4/2007	Short et al.	D7/376
7,273,315	B2	*	9/2007	Huang et al.	366/206
D564,297	S	*	3/2008	Short et al.	D7/412
D564,298	S	*	3/2008	Short et al.	D7/412
7,384,187	B2	*	6/2008	Blackburn et al.	366/206
7,387,430	B2	*	6/2008	Short et al.	366/197
2002/0181322	A1	*	12/2002	Brunswick et al.	366/197
2004/0022124	A1	*	2/2004	Yoshioka	366/347
2004/0120216	A1	*	6/2004	Donthnier et al.	366/203
2004/0208082	A1	*	10/2004	Huang et al.	366/206
2005/0141340	A1	*	6/2005	Donthier et al.	366/207

* cited by examiner

Primary Examiner—Caron Veynar

Assistant Examiner—Ricky Pham

(74) *Attorney, Agent, or Firm*—Thompson Hine LLP

(57) **CLAIM**

The ornamental design for a mixing apparatus, as shown and described.

DESCRIPTION

FIG. 1 is a right side view of a head portion of a mixing apparatus showing our new design;

FIG. 2 is left side view of thereof;

FIG. 3 is a front view thereof;

FIG. 4 is a rear view thereof;

FIG. 5 is a top view thereof;

FIG. 6 is a bottom view of thereof;

FIG. 7 is a right side view of a second embodiment of a head portion of a mixing apparatus;

FIG. 8 is a left side view of the head portion of FIG. 7;

FIG. 9 is a front view of the head portion of FIG. 7;

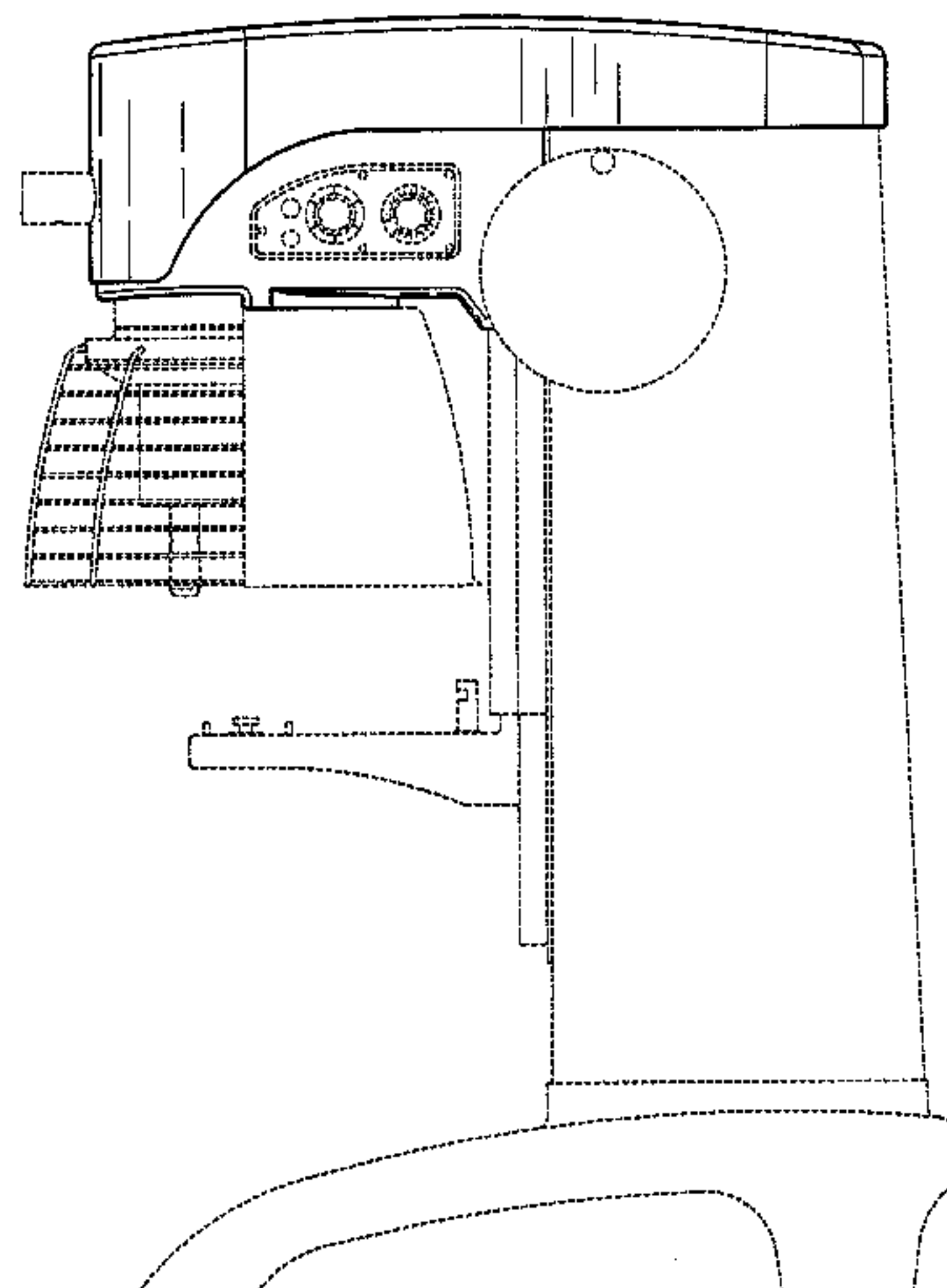
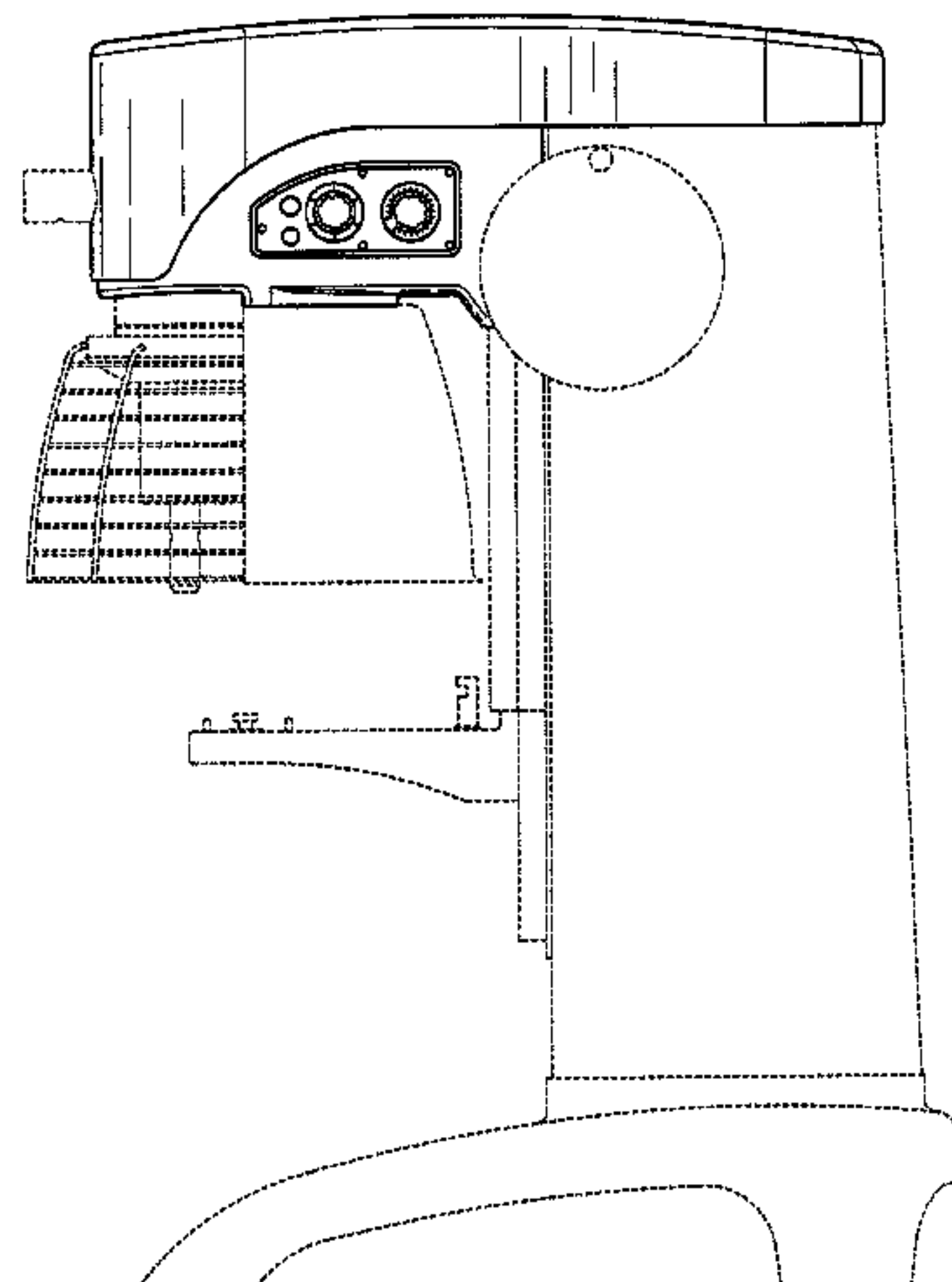
FIG. 10 is a rear view of the head portion of FIG. 7;

FIG. 11 is a top view of the head portion of FIG. 7; and,

FIG. 12 is a bottom view of the head portion of FIG. 7.

The broken lines shown in the drawings are for illustrative purposes only and form no part of the claimed design.

1 Claim, 12 Drawing Sheets



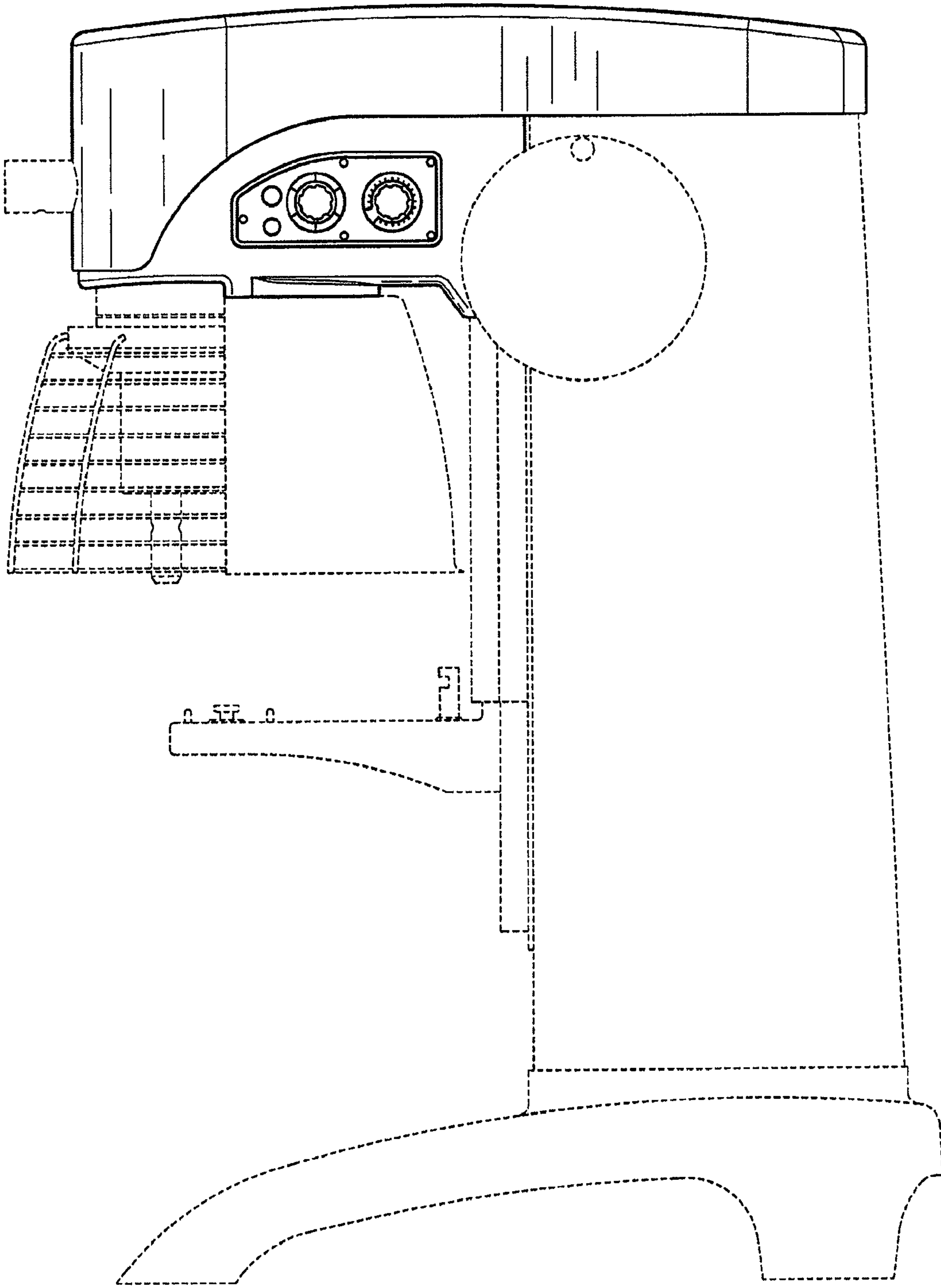


Fig. 1

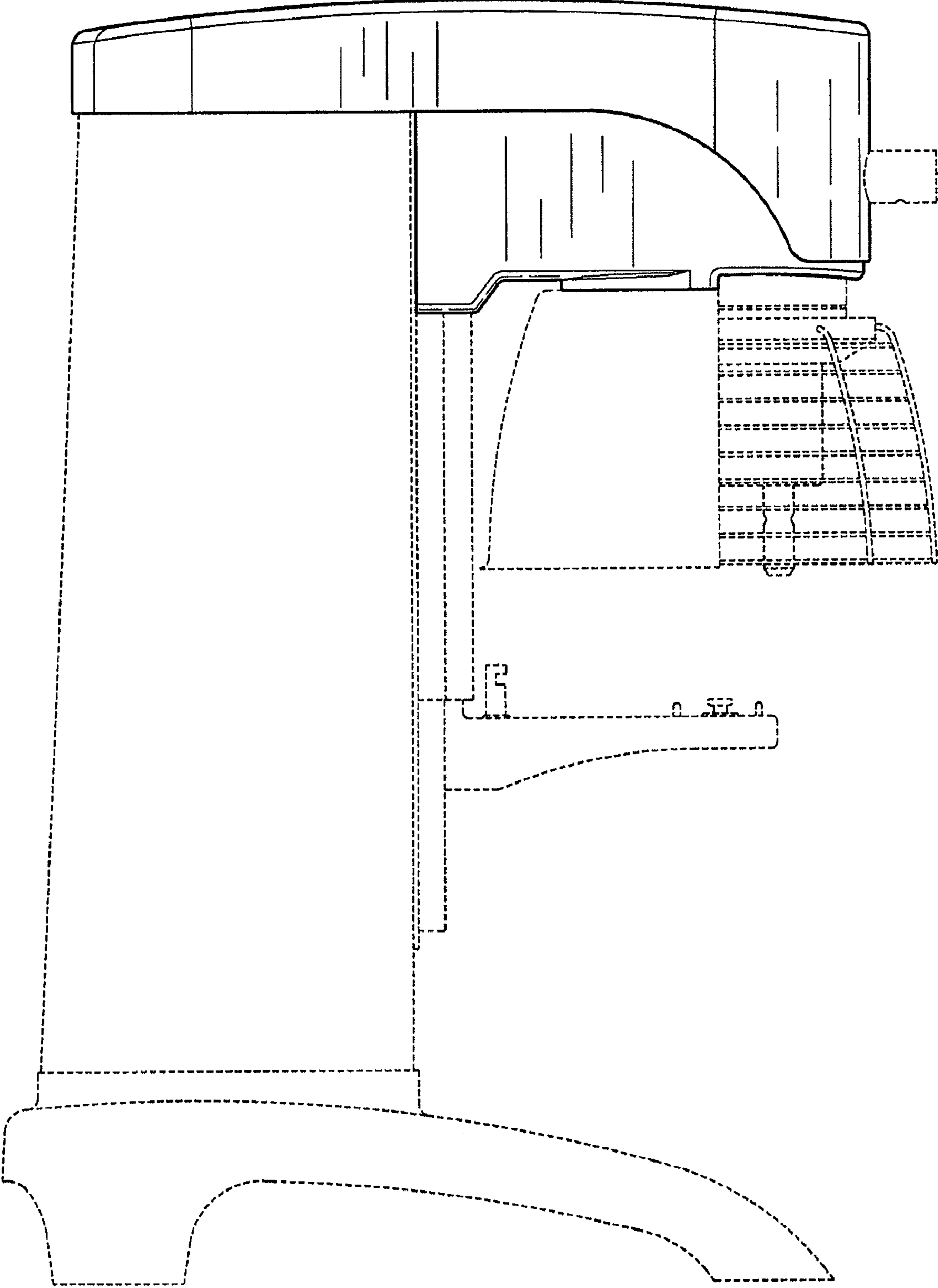


Fig. 2

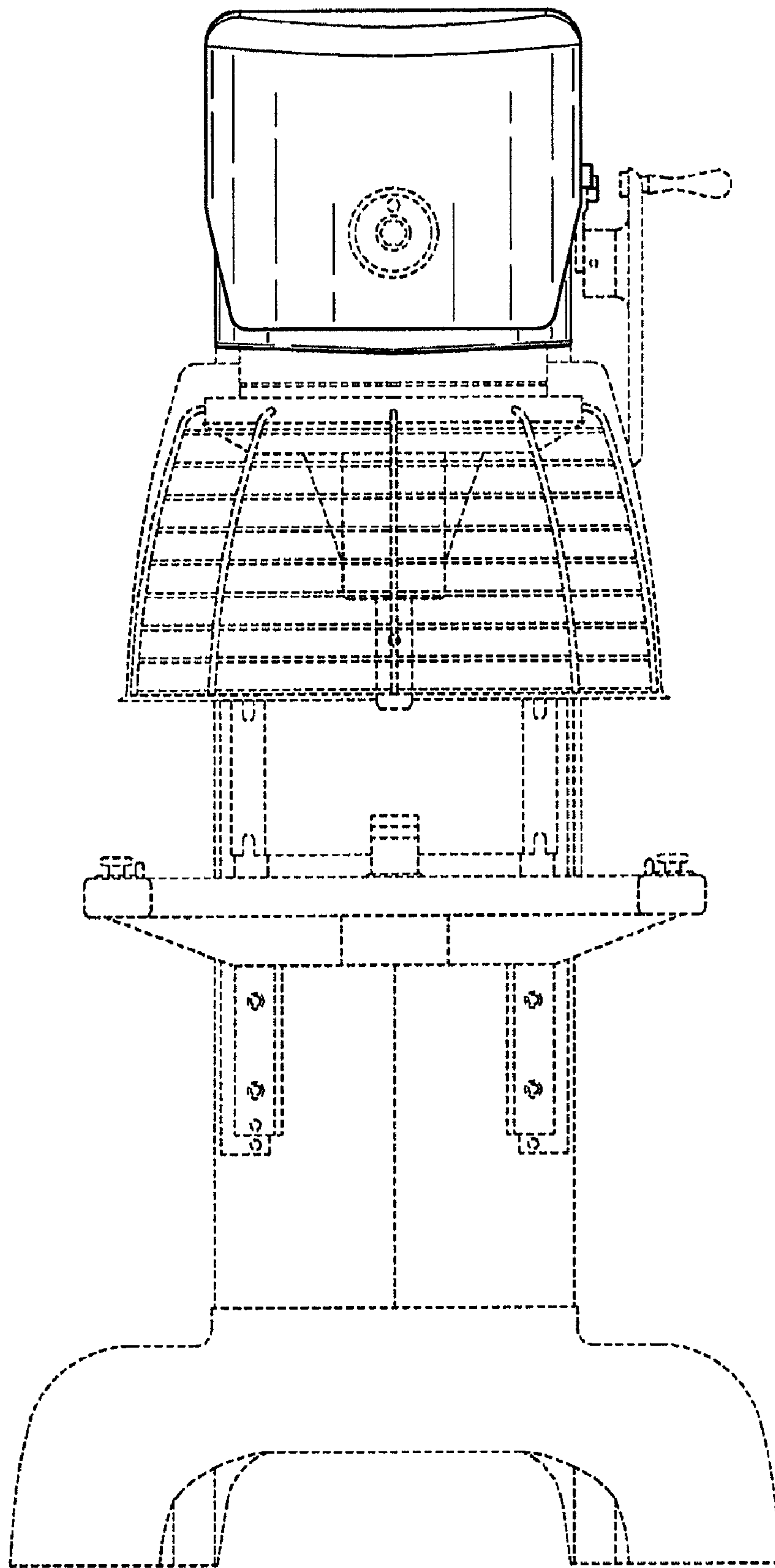


Fig. 3

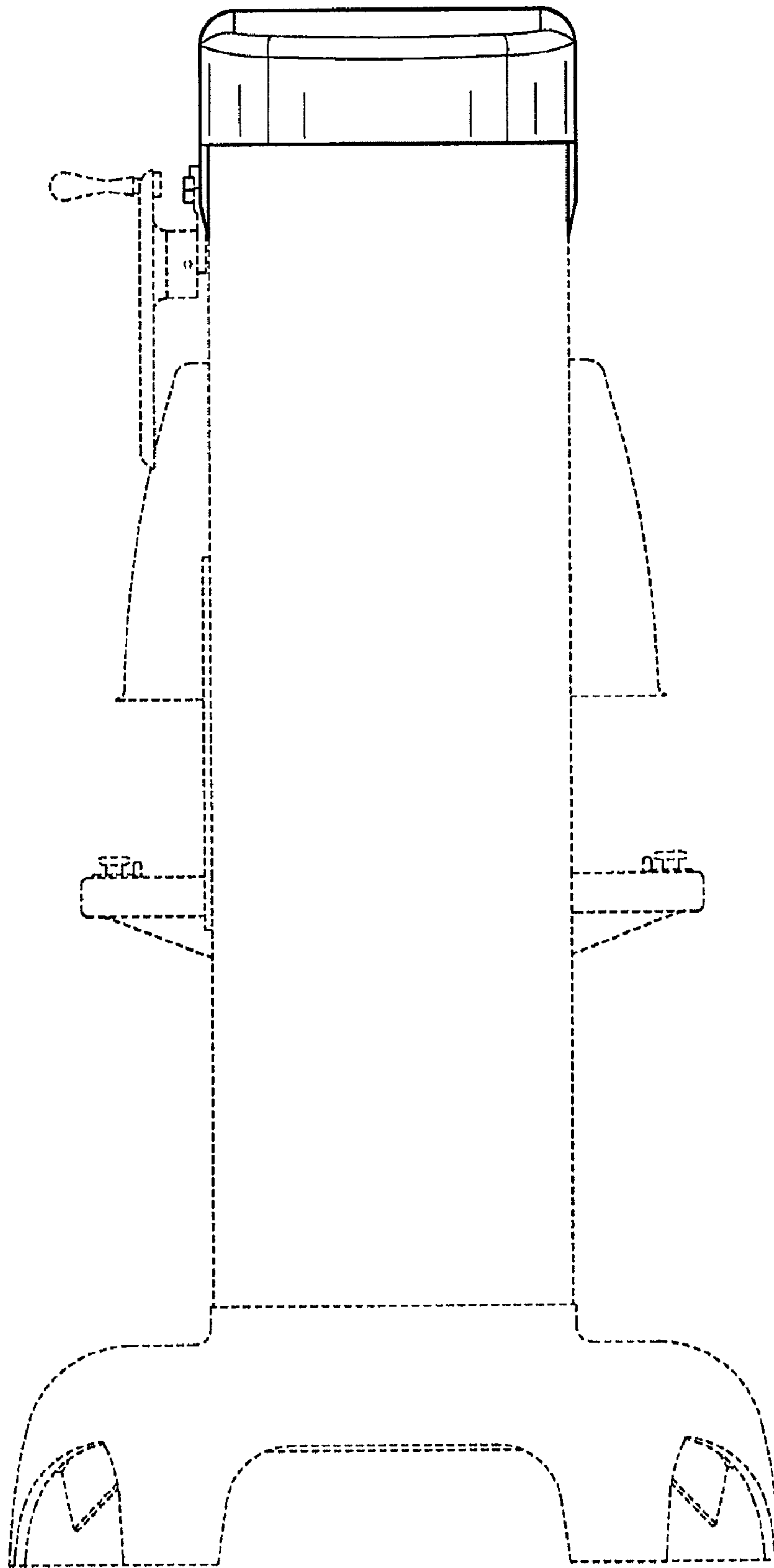


Fig. 4

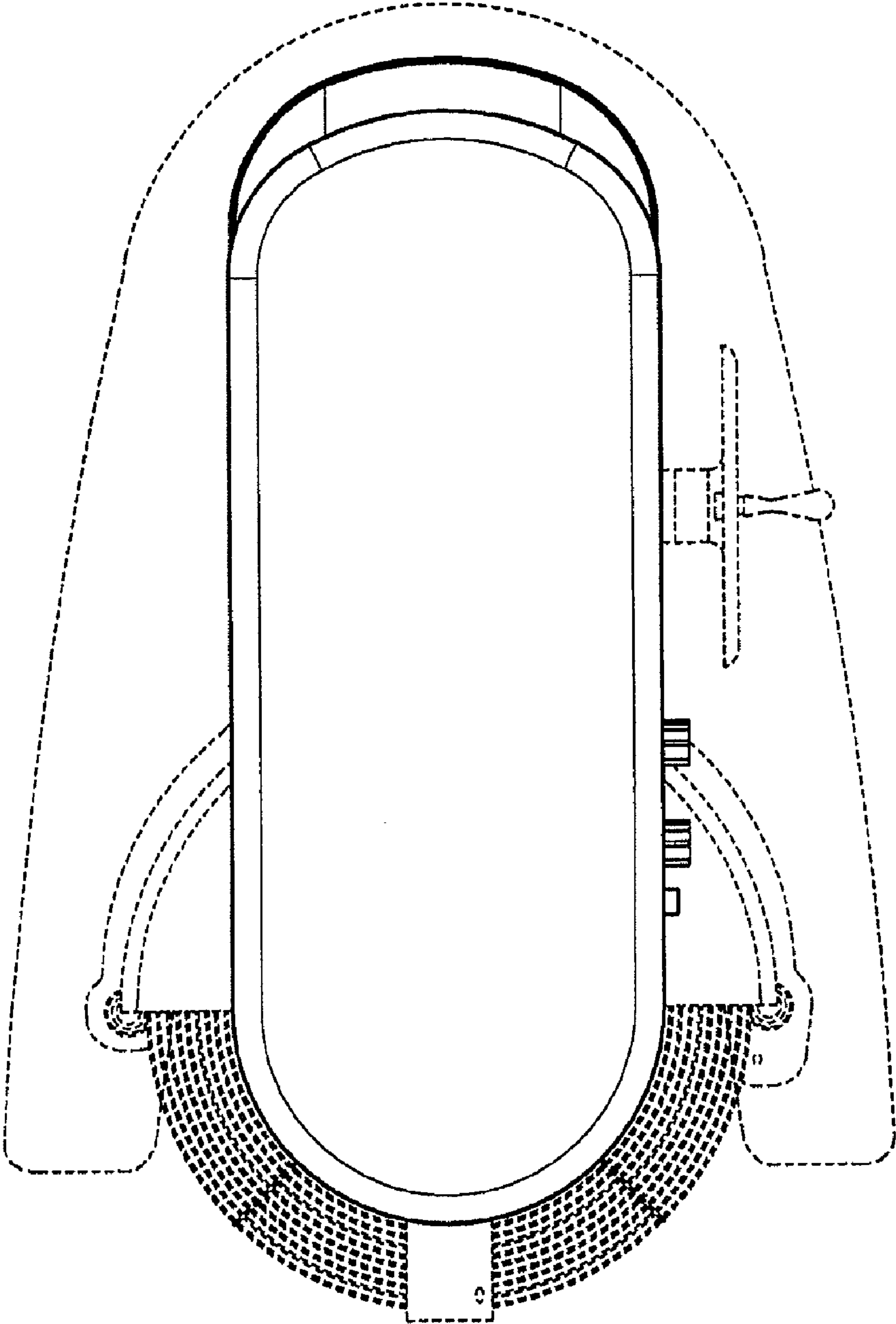


Fig. 5

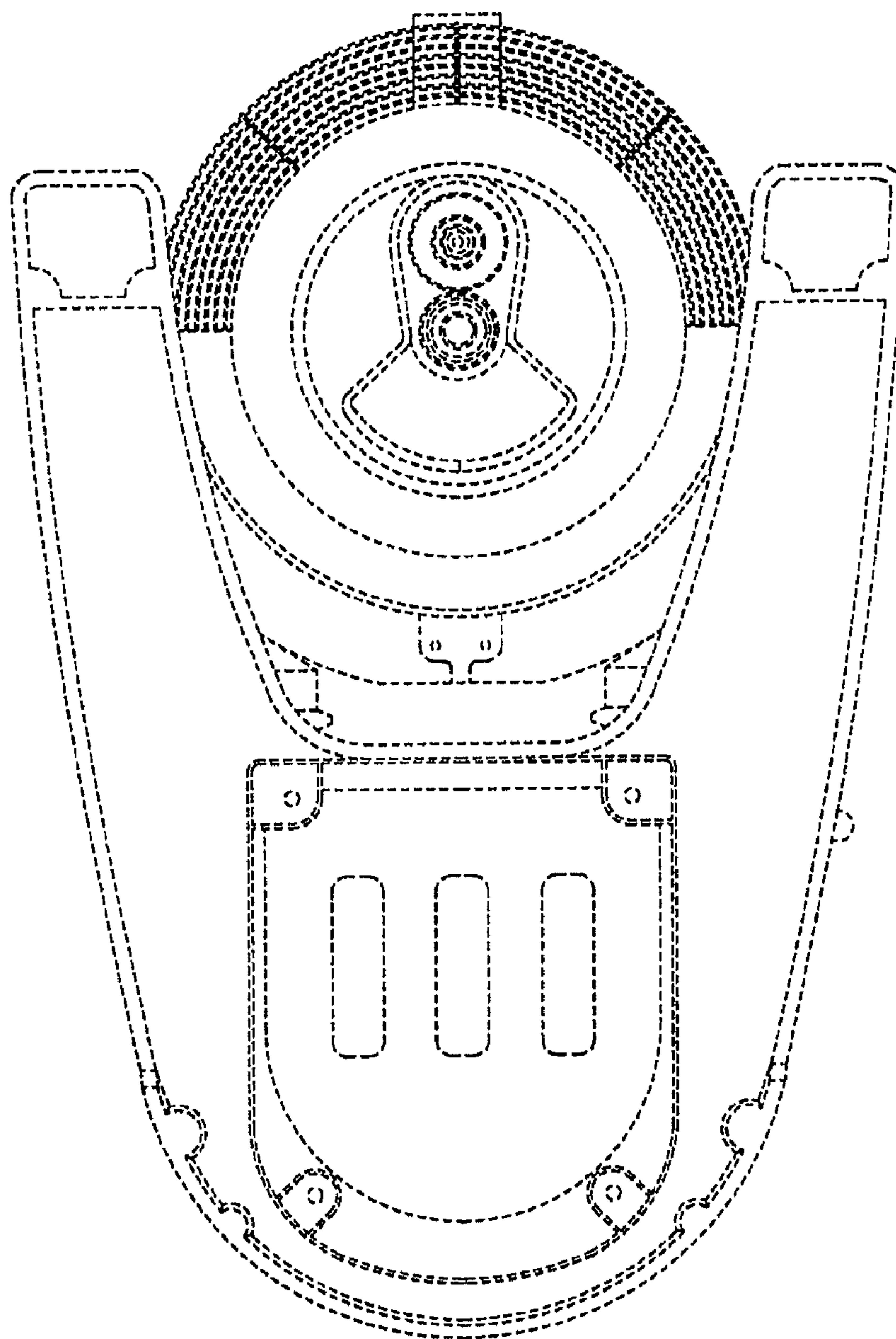


Fig. 6

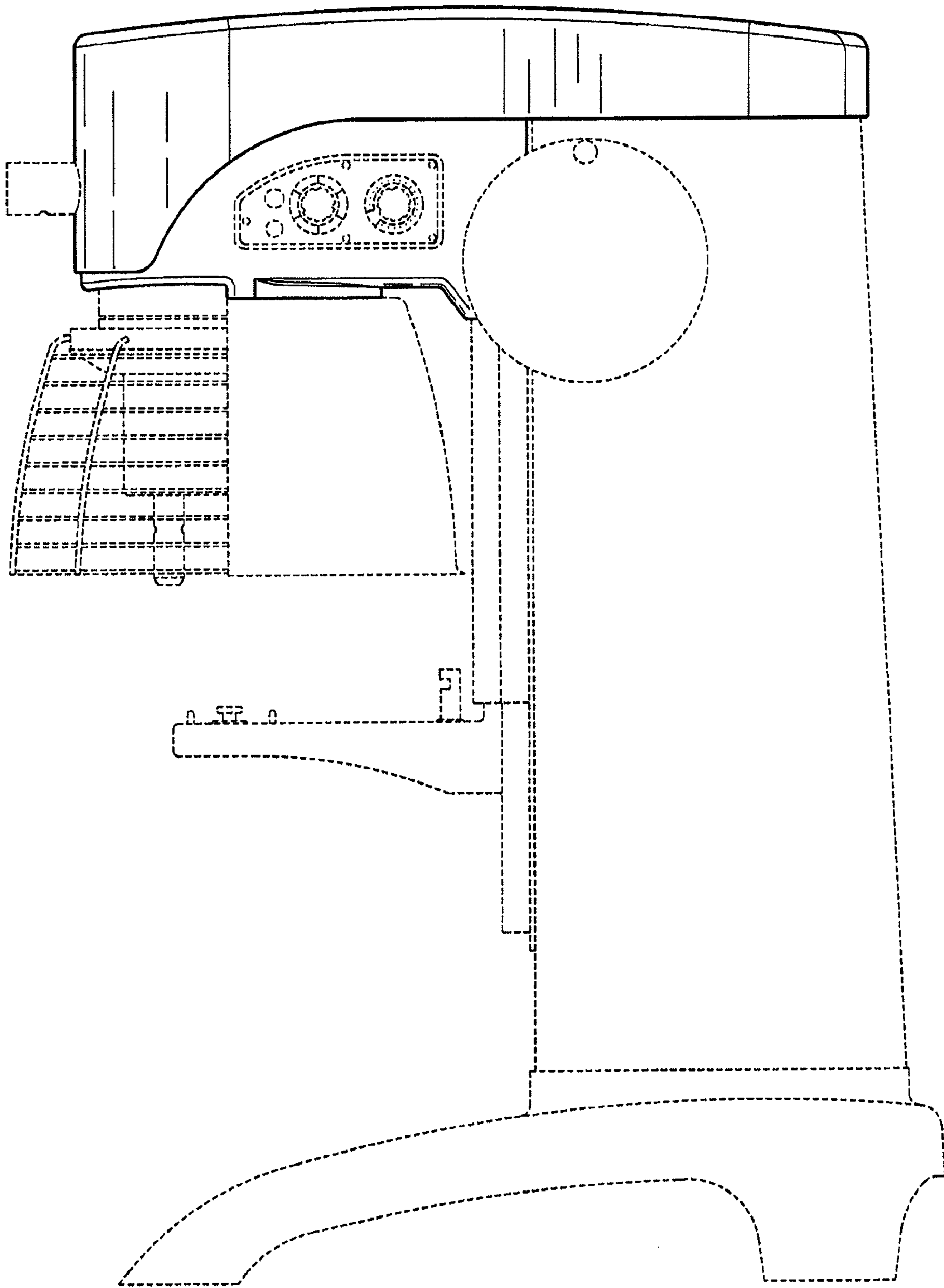


Fig. 7

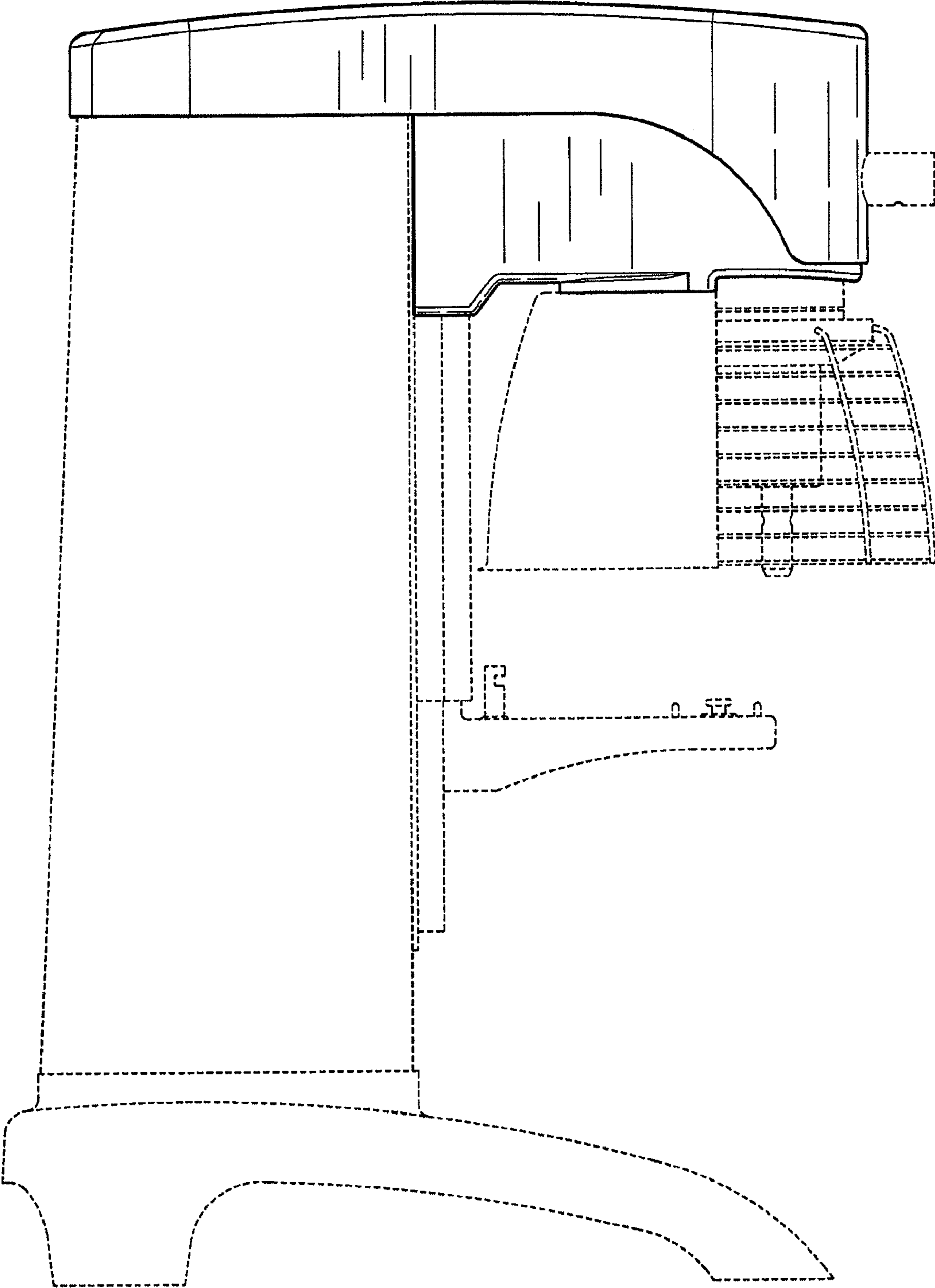


Fig. 8

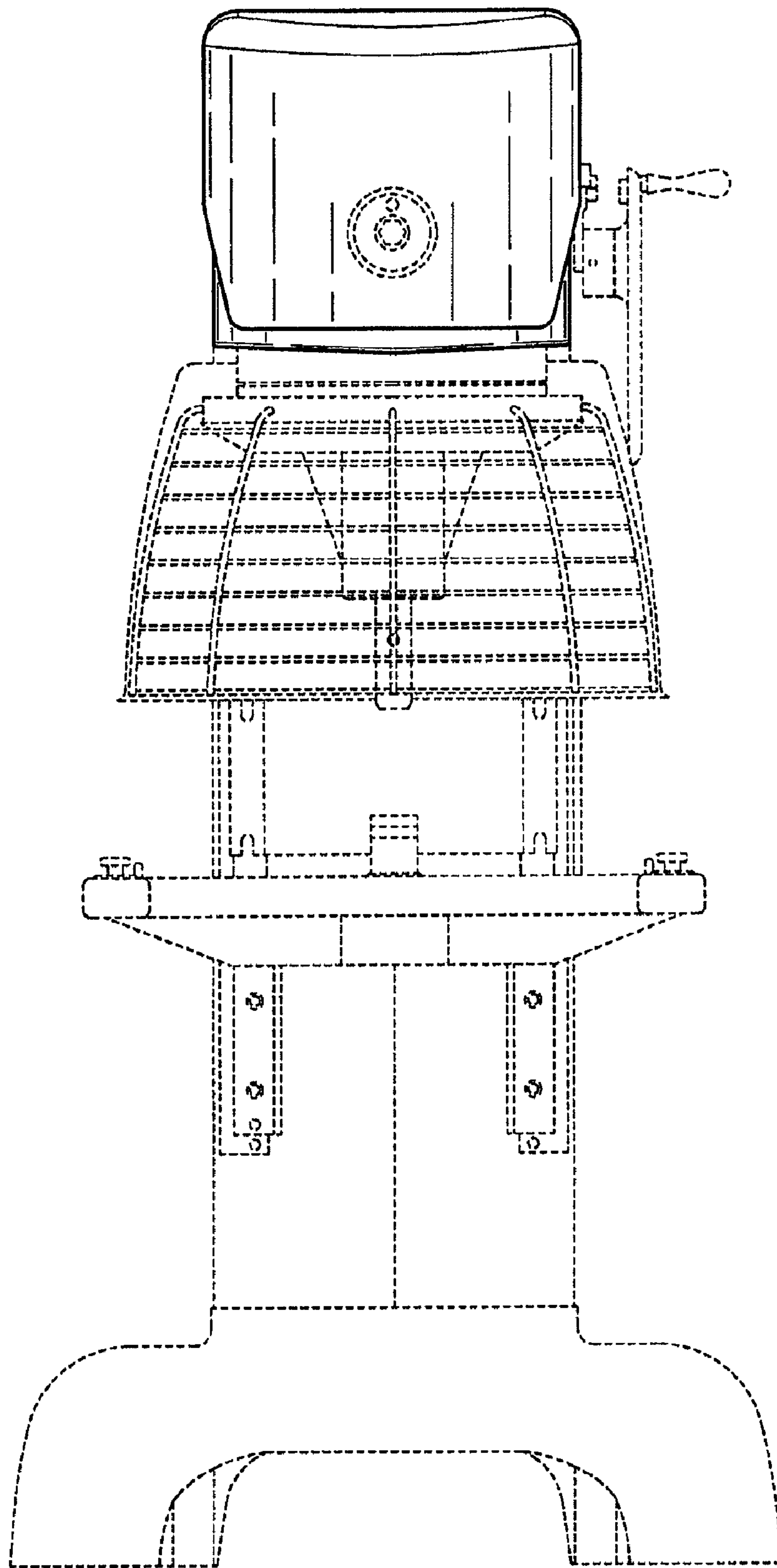


Fig. 9

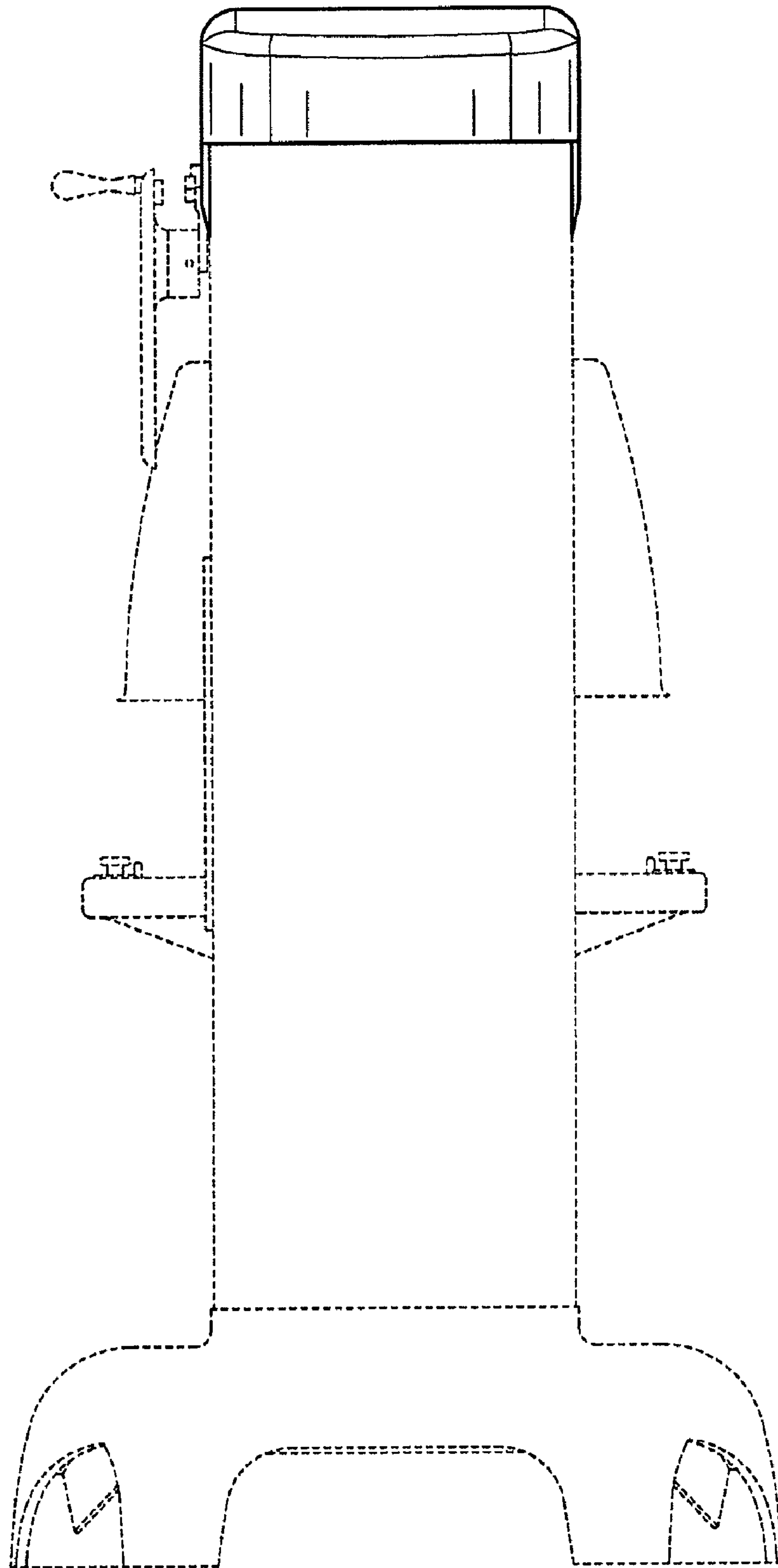


Fig. 10

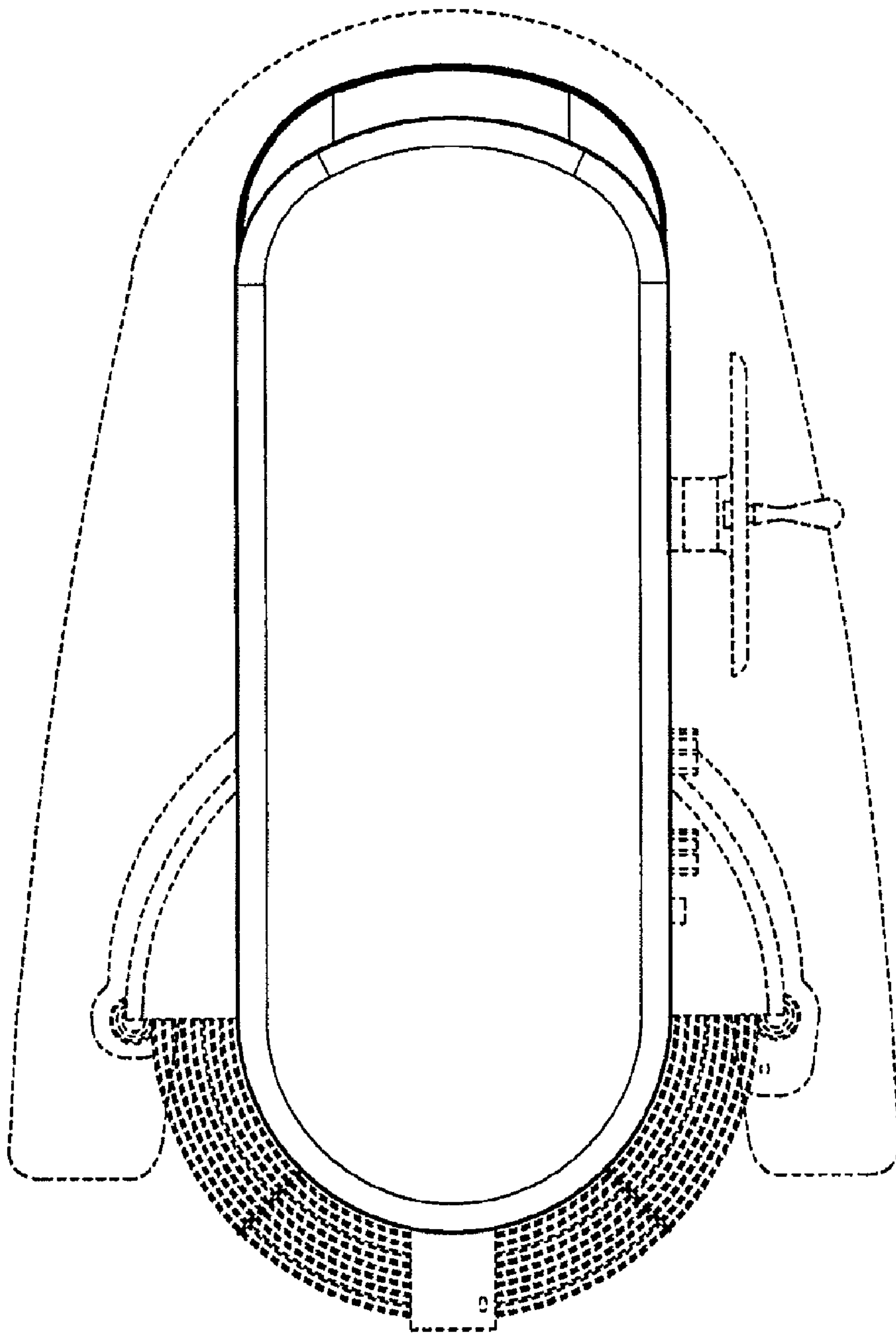


Fig. 11

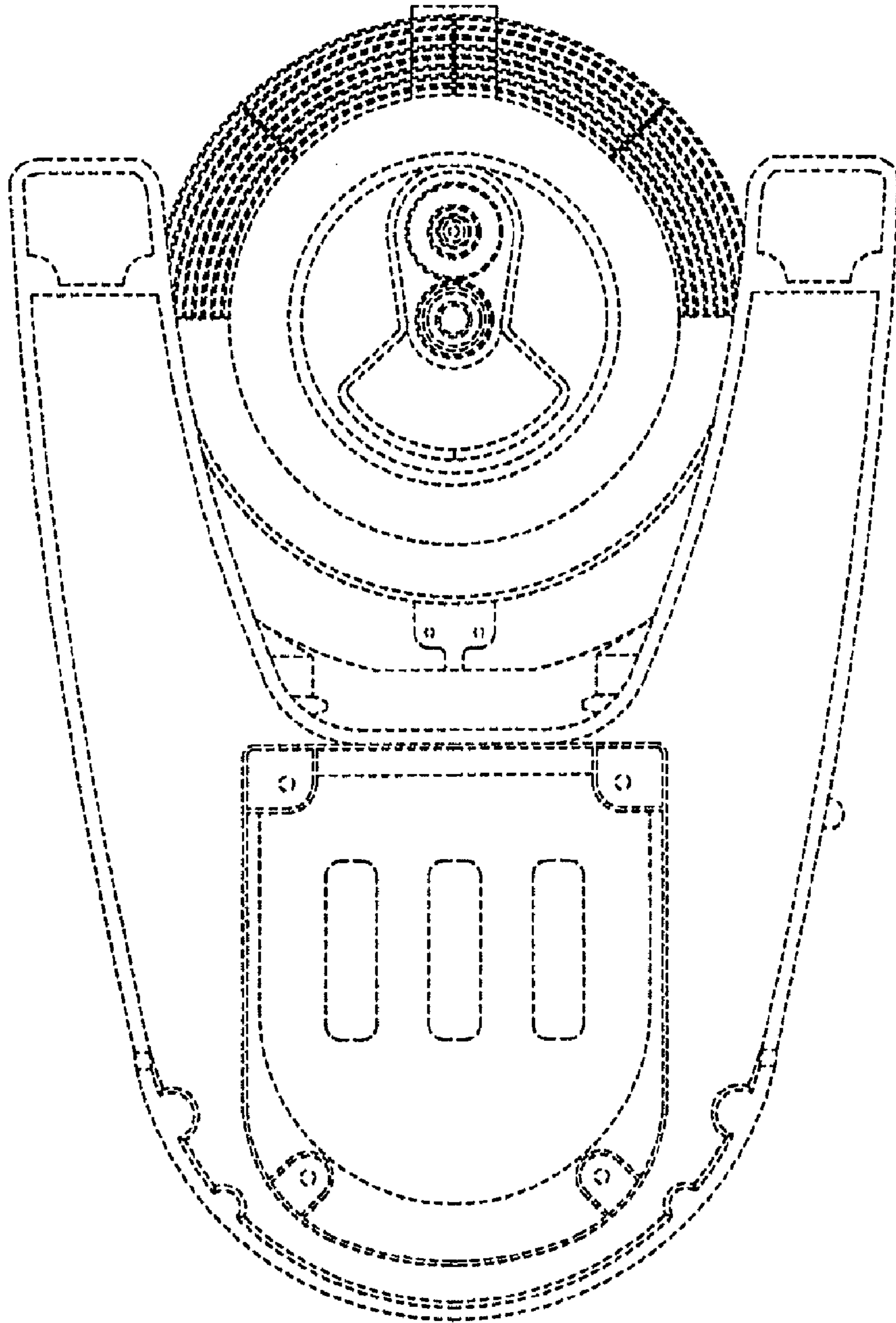


Fig. 12