



US00D583613S

(12) **United States Design Patent**  
**Proffitt et al.**

(10) **Patent No.:** **US D583,613 S**  
(45) **Date of Patent:** **\*\* Dec. 30, 2008**

(54) **PORTABLE GRILL**

(75) Inventors: **Mark T. Proffitt**, Greeneville, TN (US);  
**G. L. Huff**, Afton, TN (US); **Douglas G. Wright**,  
Morristown, TN (US); **Stephen J. Zwonitzer**,  
Atlanta, GA (US); **Robert B. Holben**,  
Roswell, GA (US)

(73) Assignee: **Meco Corporation**

(\*\*) Term: **14 Years**

(21) Appl. No.: **29/277,815**

(22) Filed: **Mar. 9, 2007**

**Related U.S. Application Data**

(63) Continuation-in-part of application No. 11/260,692,  
filed on Oct. 28, 2005.

(51) **LOC (8) Cl.** ..... **07-02**

(52) **U.S. Cl.** ..... **D7/332**

(58) **Field of Classification Search** ..... D7/332-338,  
D7/402-405; 126/25 R, 29-30, 25 A, 25 AA,  
126/9 R, 9 B, 8, 38, 41 R, 40, 50, 304 R,  
126/305, 250; 99/450, 419, 444, 445  
See application file for complete search history.

(56) **References Cited**

**U.S. PATENT DOCUMENTS**

5,278,740 A 1/1994 Agnelli

D382,765 S *	8/1997	Kellermann .....	D7/332
D468,953 S *	1/2003	Graham et al. ....	D7/332
D520,804 S *	5/2006	Lu .....	D7/335
D524,592 S *	7/2006	Brunner et al. ....	D7/332
D547,592 S *	7/2007	Chiang .....	D7/332
D563,144 S *	3/2008	Melzer et al. ....	D7/332
2005/0087182 A1	4/2005	Schulte	
2005/0109330 A1 *	5/2005	Pestruie et al. ....	126/25 R
2006/0180139 A1 *	8/2006	Proffitt et al. ....	126/25 R

**OTHER PUBLICATIONS**

International Search Report dated Jun. 1, 2006 (1 pg no drawings).

\* cited by examiner

*Primary Examiner*—Ruth McInroy

(74) *Attorney, Agent, or Firm*—McGuirewoods LLP

(57) **CLAIM**

We claim the ornamental design for a portable grill, as shown and described.

**DESCRIPTION**

FIG. 1 is a perspective side view of the ornamental appearance of the portable grill;

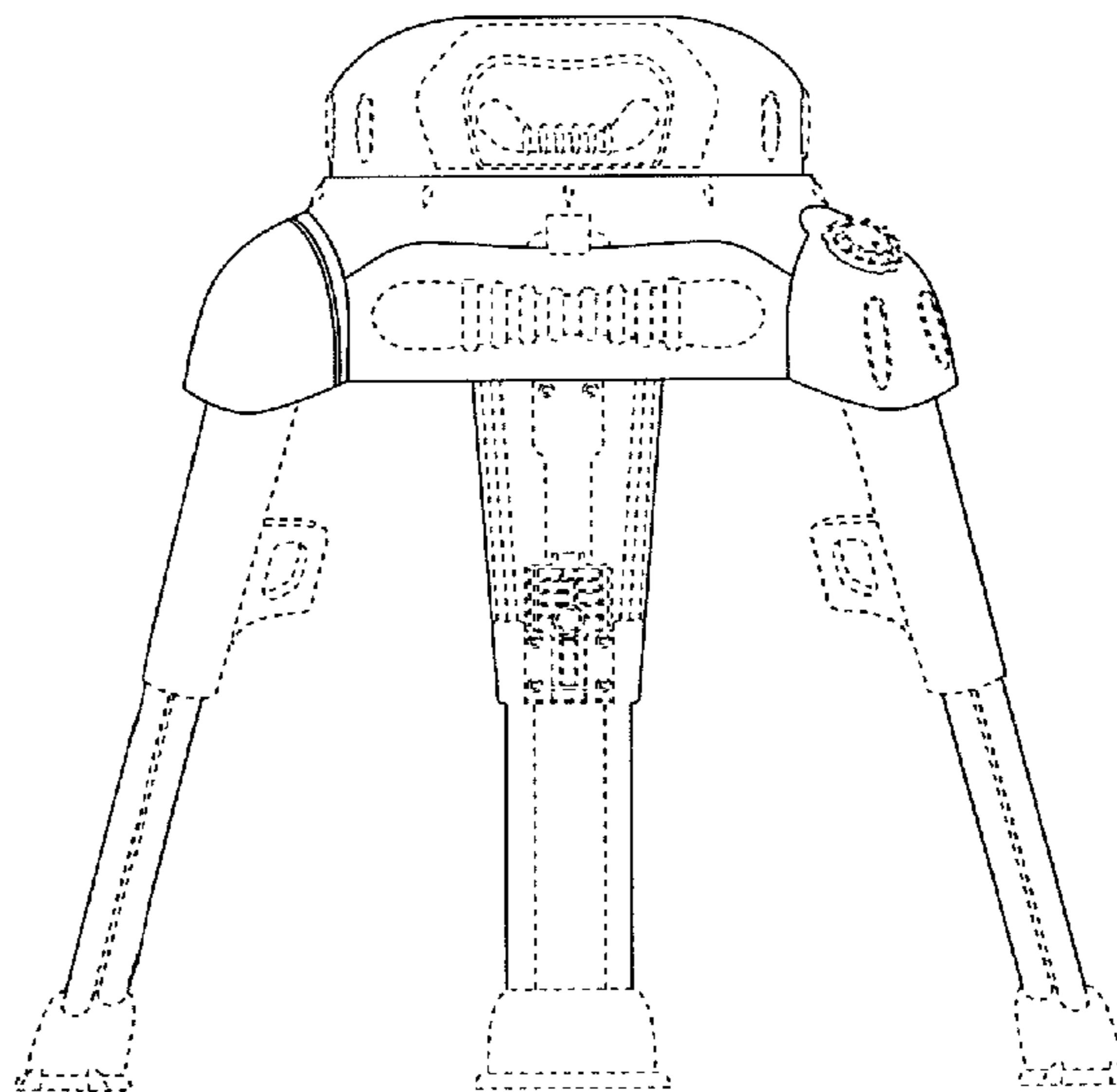
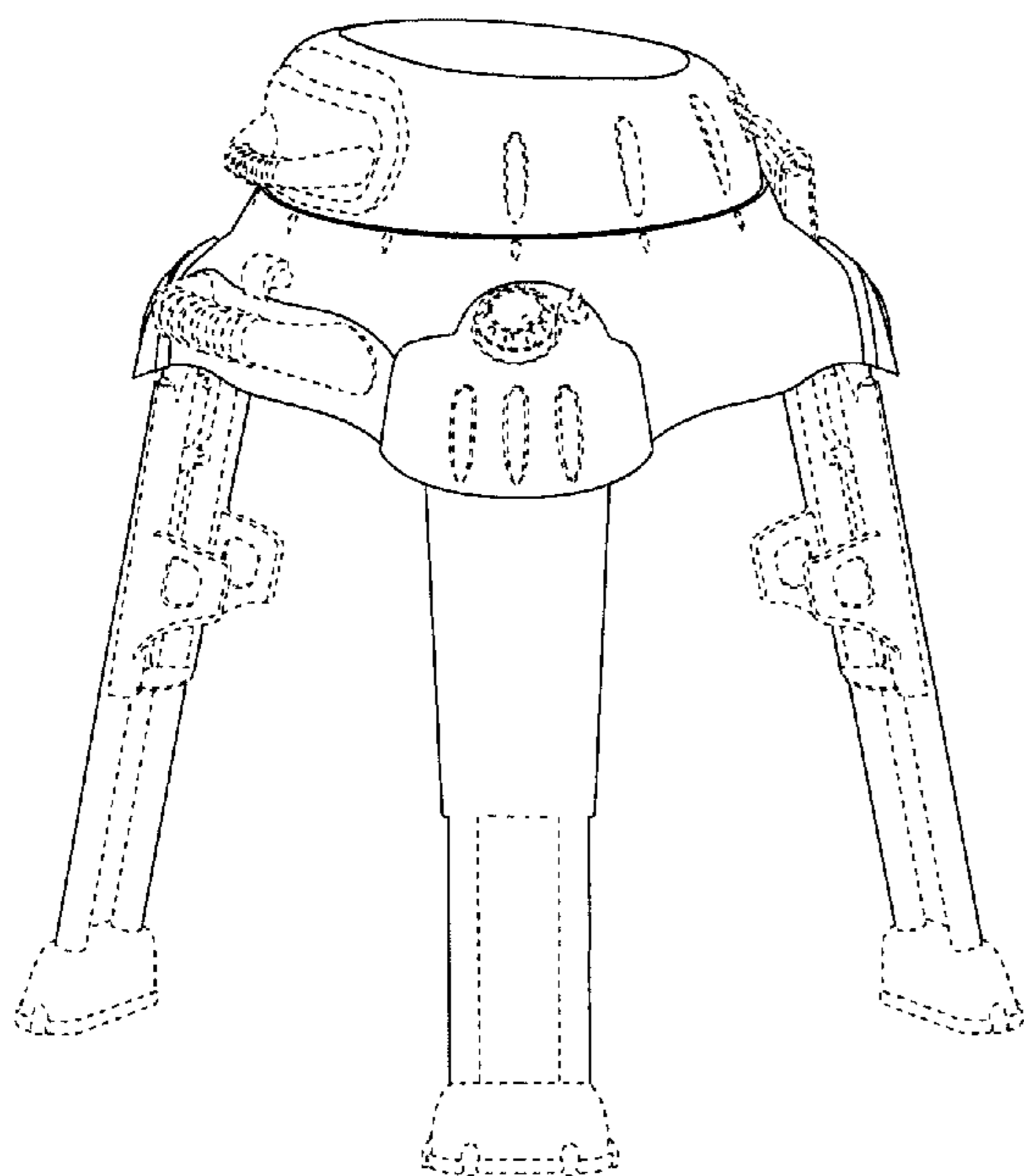
FIG. 2 is a front view of the portable grill shown in FIG. 1;

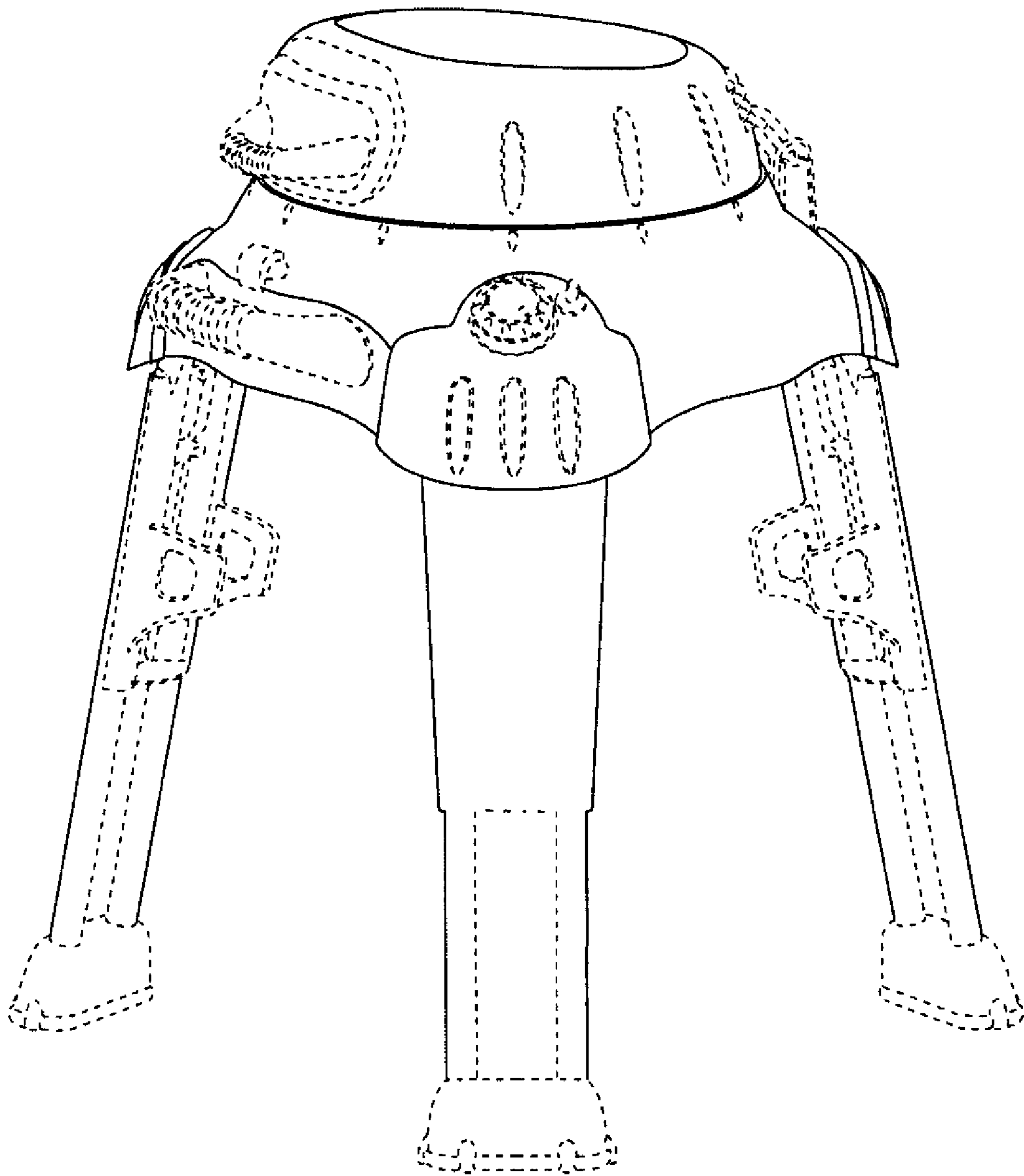
FIG. 3 is a side view of the portable grill shown in FIG. 1; and,

FIG. 4 is a top view of the portable grill shown in FIG. 1.

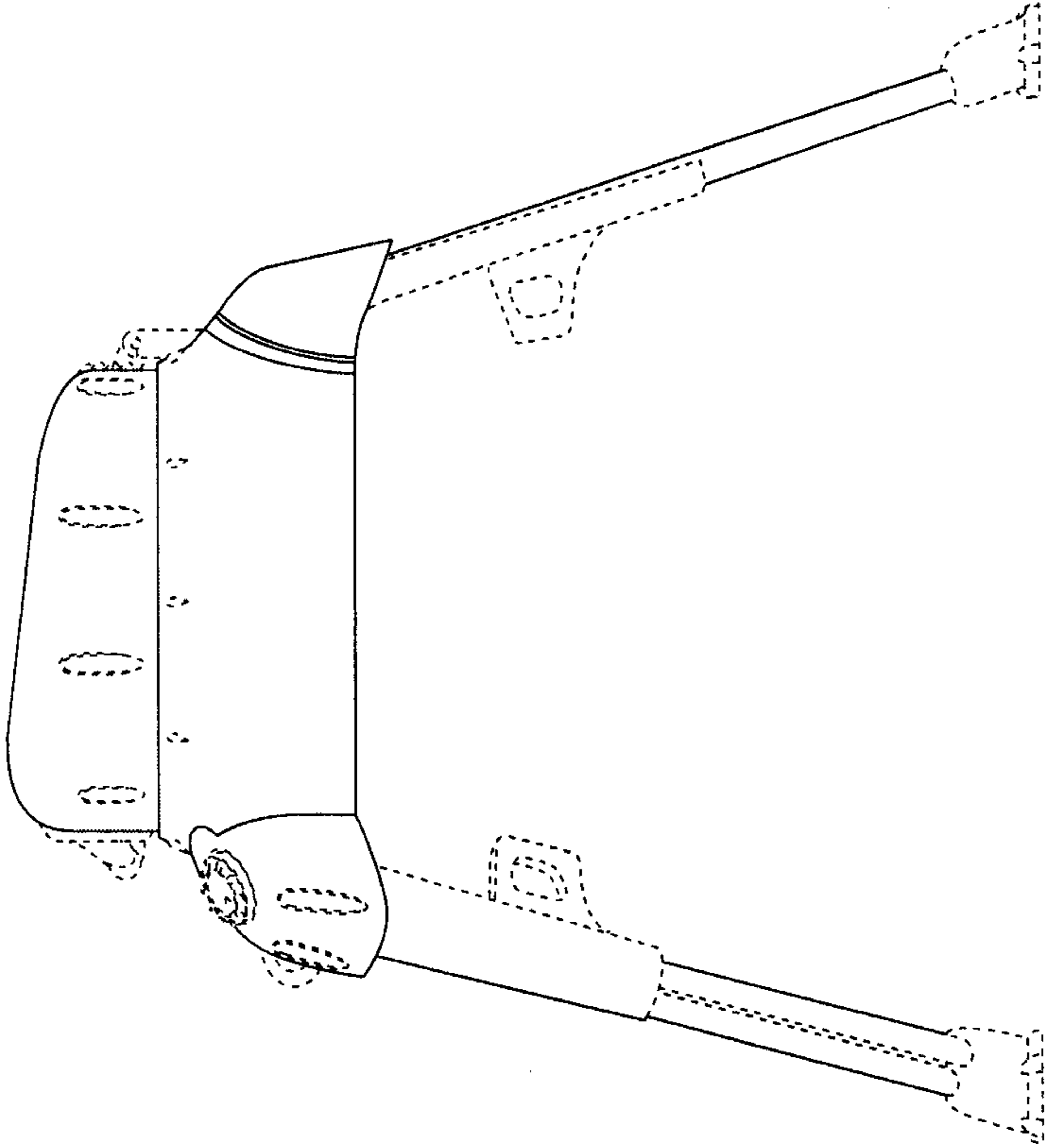
The details shown in broken lines form no part of the claimed design.

**1 Claim, 3 Drawing Sheets**

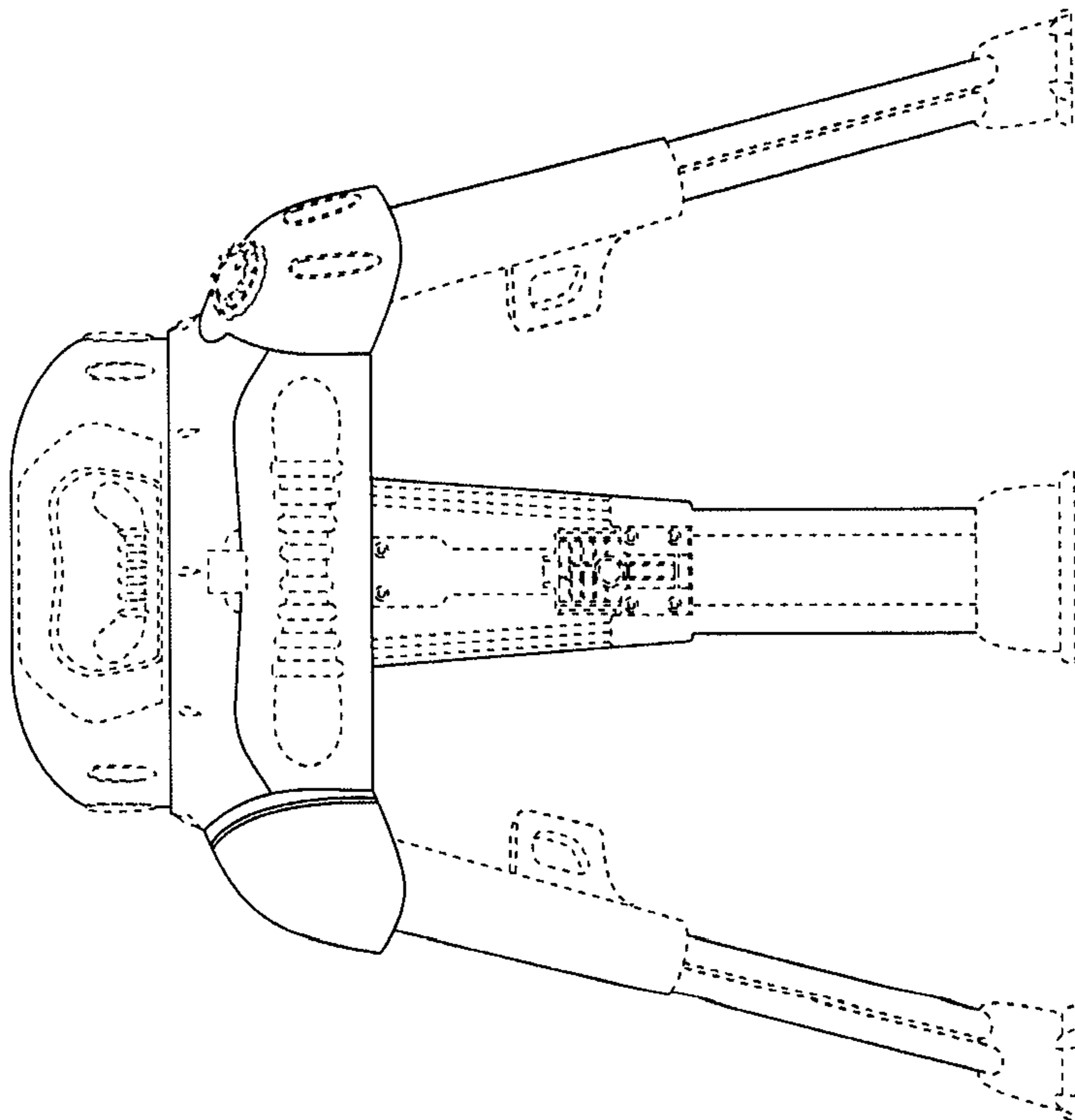




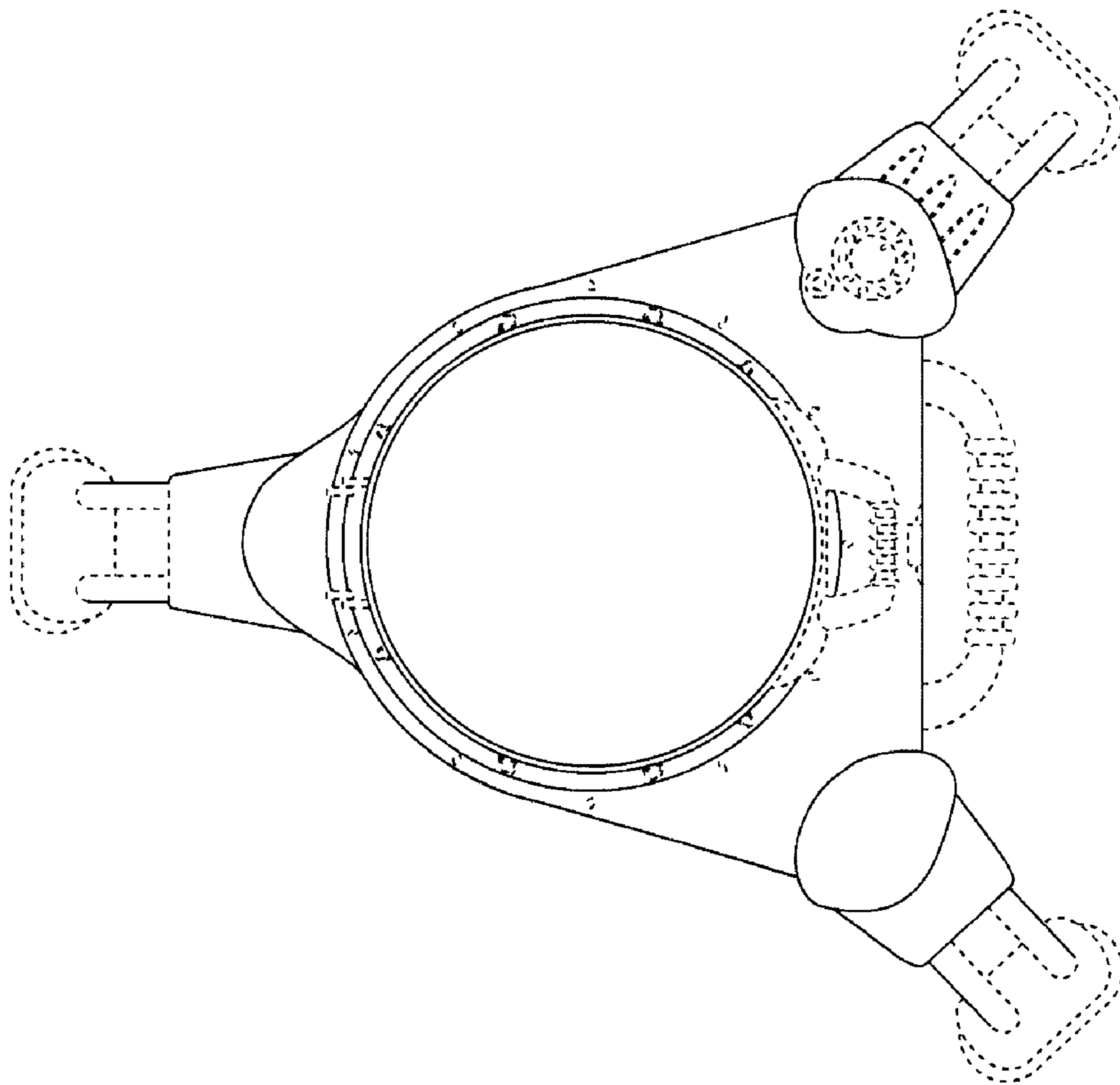
**FIG. 1**



**FIG. 3**



**FIG. 2**



**FIG. 4**