



US00D583609S

(12) **United States Design Patent**
Sluijter

(10) **Patent No.:** **US D583,609 S**

(45) **Date of Patent:** **** Dec. 30, 2008**

(54) **BEERKEG**

(75) Inventor: **Robert Sluijter**, Overveen (NL)

(73) Assignee: **Heineken Supply Chain B.V.** (NL)

(**) Term: **14 Years**

(21) Appl. No.: **29/298,152**

(22) Filed: **Nov. 29, 2007**

(30) **Foreign Application Priority Data**

Aug. 14, 2007 (EM) 000773767

(51) **LOC (8) Cl.** **07-01**

(52) **U.S. Cl.** **D7/306; D7/311**

(58) **Field of Classification Search** D7/309–311,
D7/306–308, 300, 397–399; 99/280, 286,
99/305, 306, 295, 279, 299, 285; D20/1,
D20/4, 5; 222/108, 1, 152, 190, 399, 95,
222/129, 146.1; D15/79

See application file for complete search history.

(56) **References Cited**

U.S. PATENT DOCUMENTS

6,619,507 B2 * 9/2003 Lassota 222/108

6,702,153 B2 * 3/2004 Nowak et al. 222/185.1

D497,075 S * 10/2004 Lassota et al. D7/306

D518,677 S * 4/2006 Van Berlo D7/306

D563,143 S * 3/2008 Tonelli D7/306

D573,392 S * 7/2008 Smith D7/306

* cited by examiner

Primary Examiner—Marianne Pandozzi

(74) *Attorney, Agent, or Firm*—Altera Law Group, LLC

(57) **CLAIM**

The ornamental design for a beerkeg, as shown and described.

DESCRIPTION

FIG. 1 is a perspective view of the beerkeg.

FIG. 2 is a top plan view thereof;

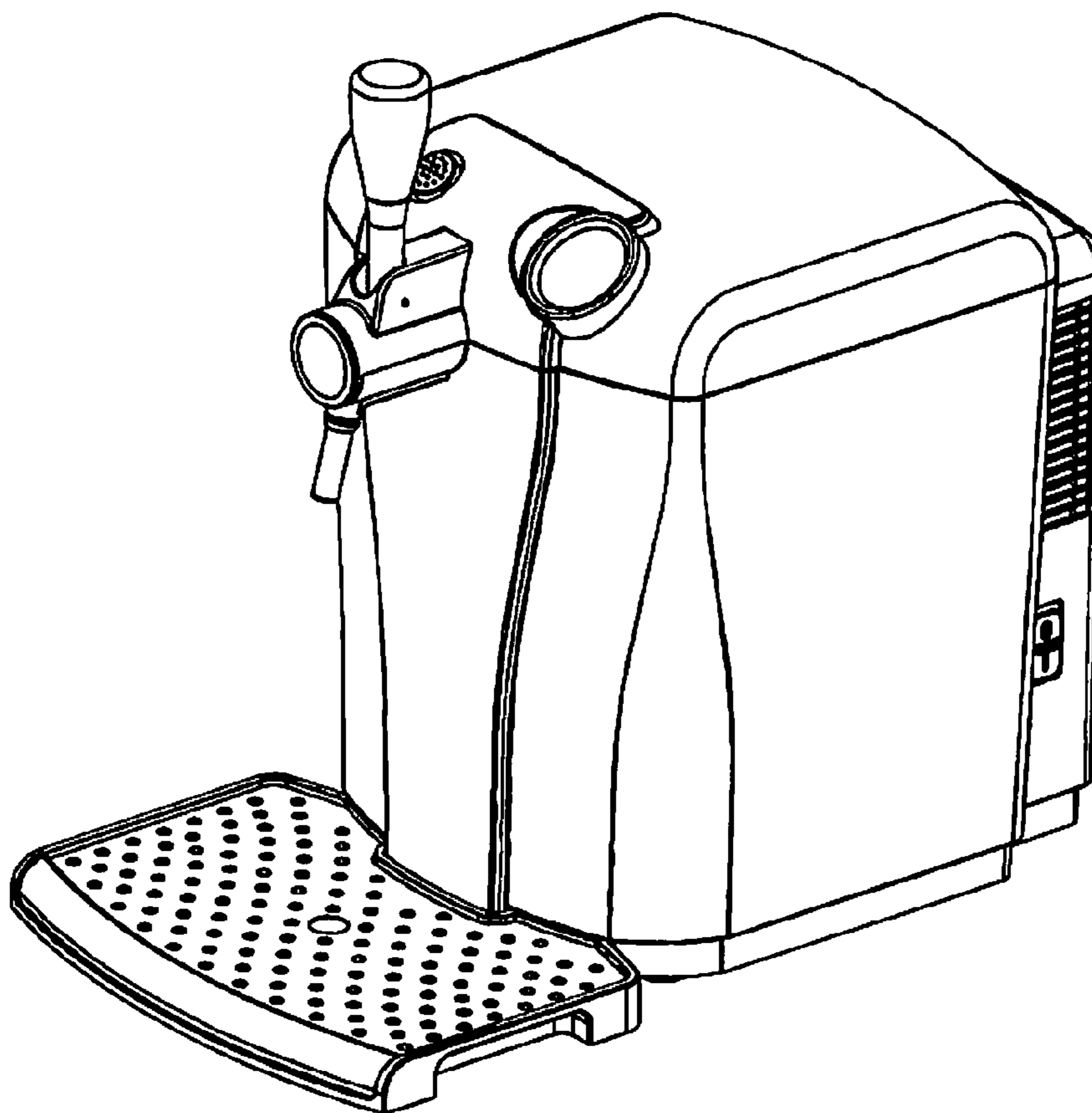
FIG. 3 is a front elevational view thereof;

FIG. 4 is a side elevational view thereof;

FIG. 5 is a top plan view thereof; and,

FIG. 6 is a rear elevational view thereof.

1 Claim, 6 Drawing Sheets



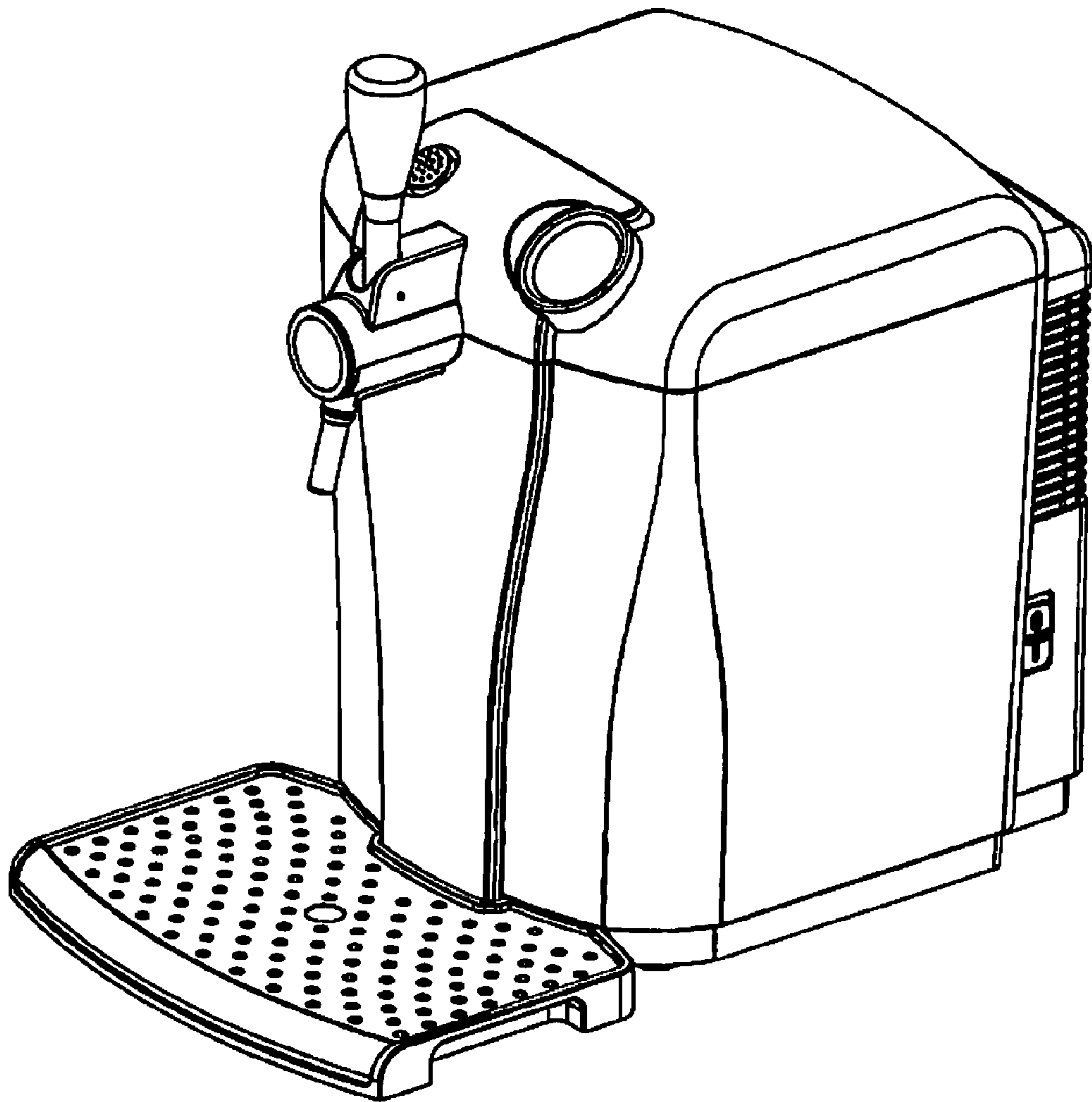


Fig. 1

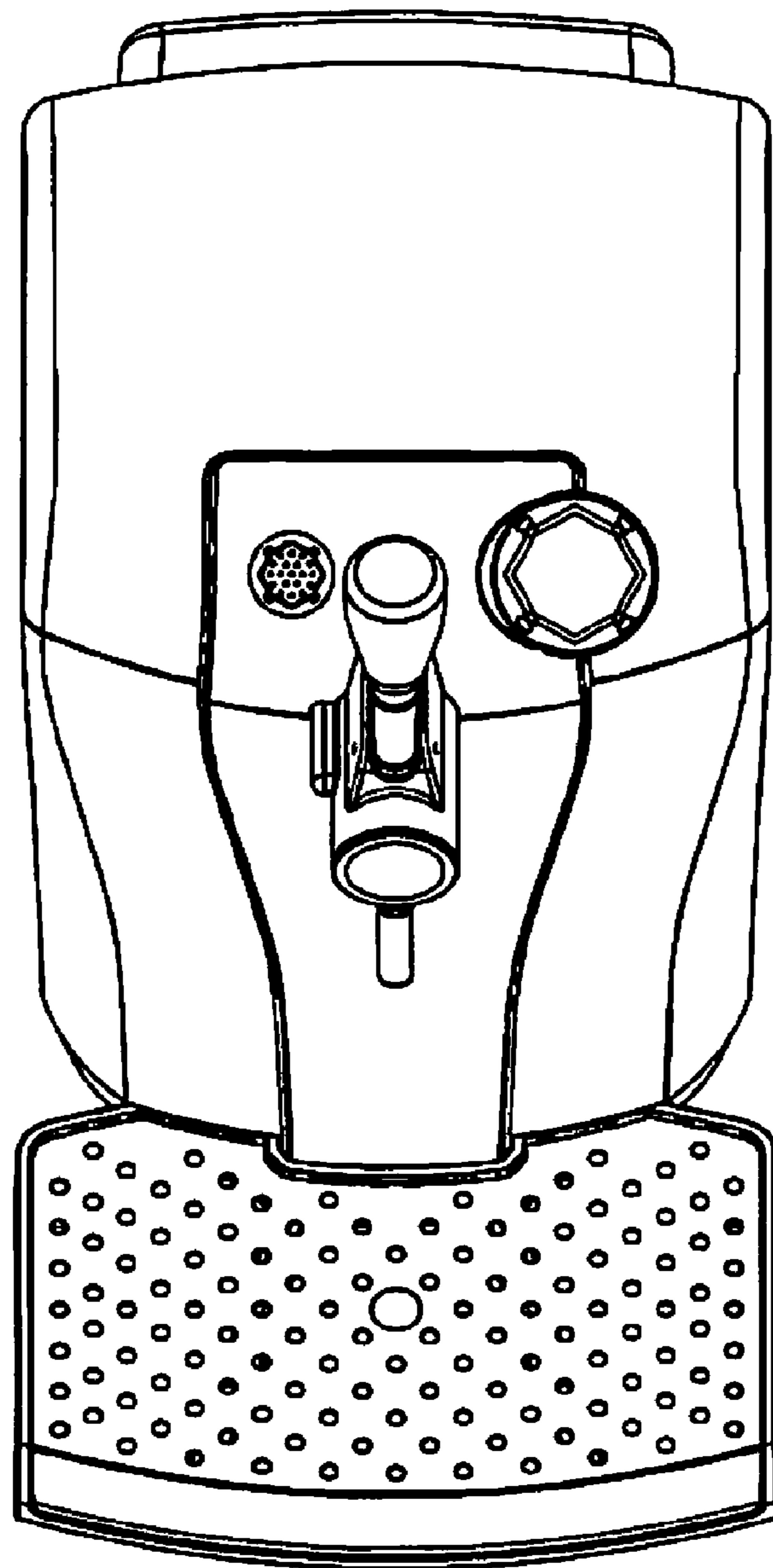


Fig. 2

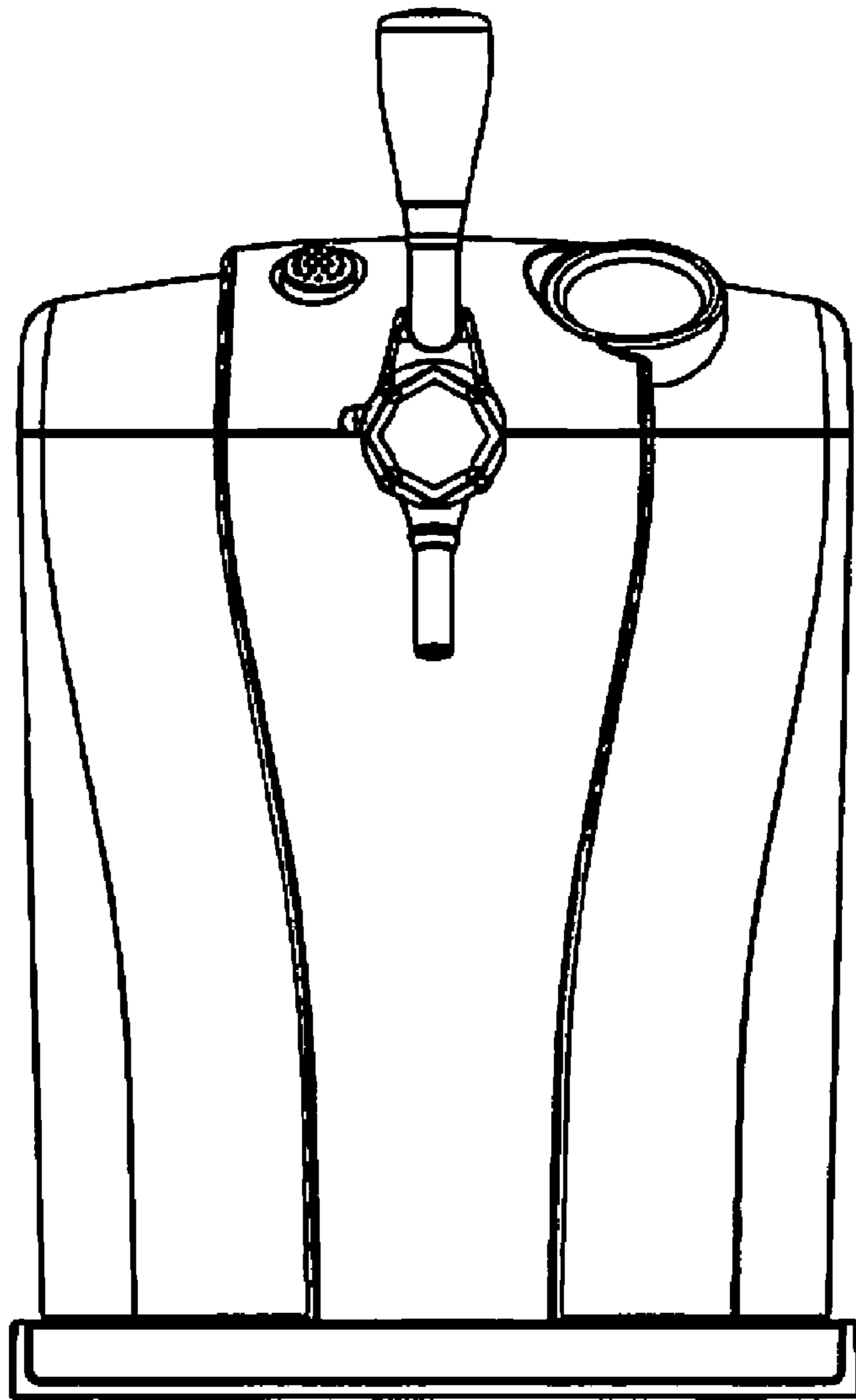


Fig. 3

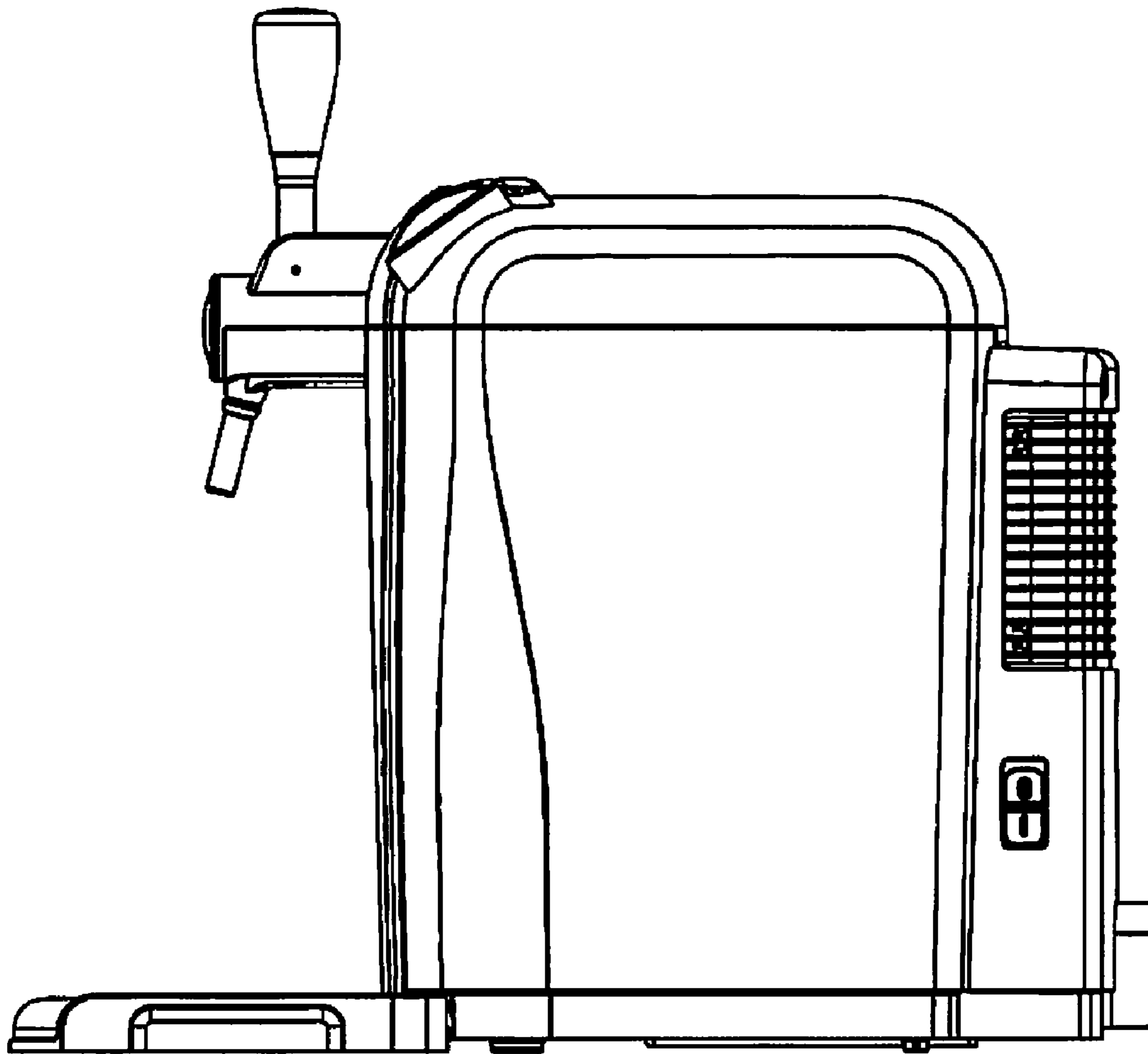


Fig. 4

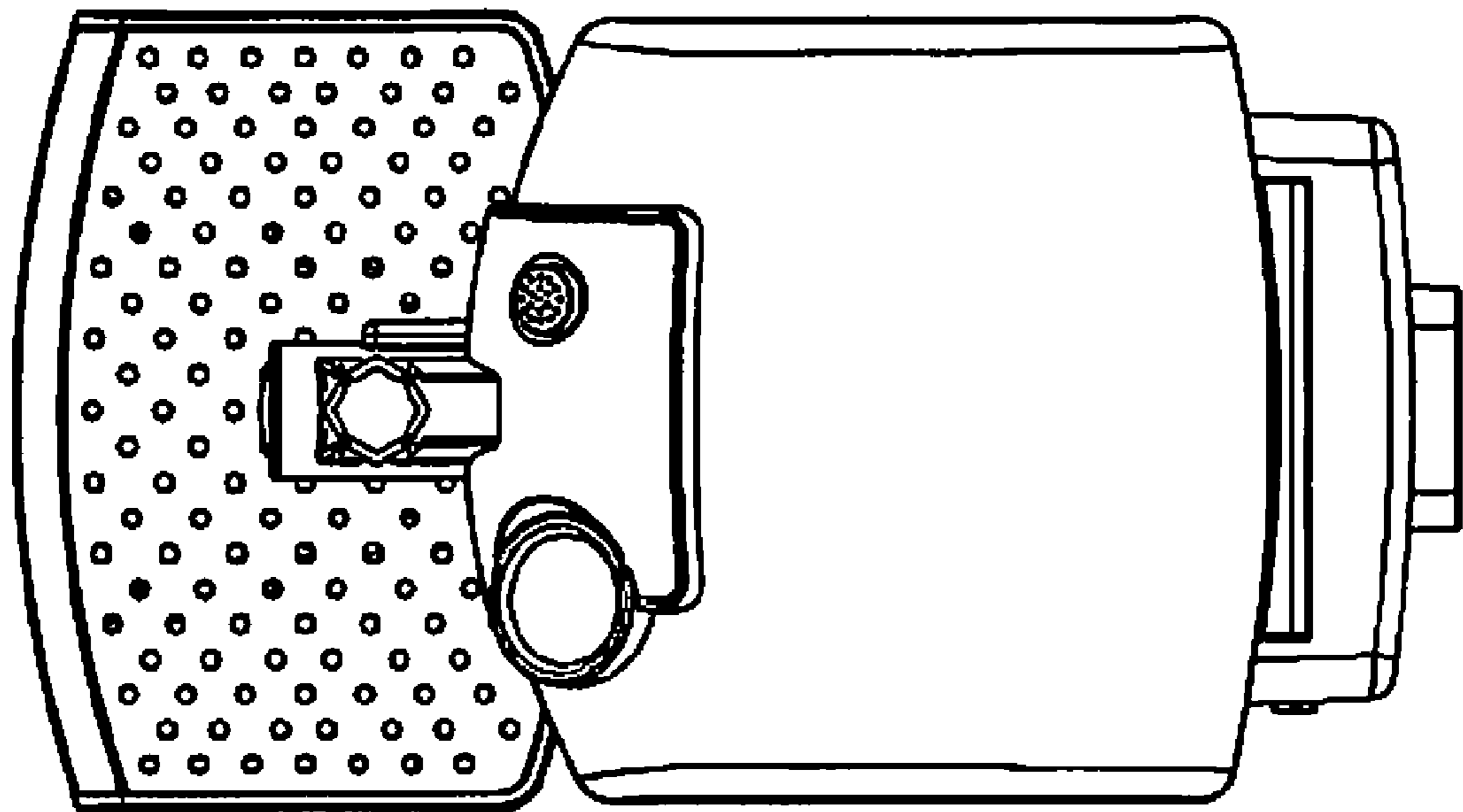


Fig. 5

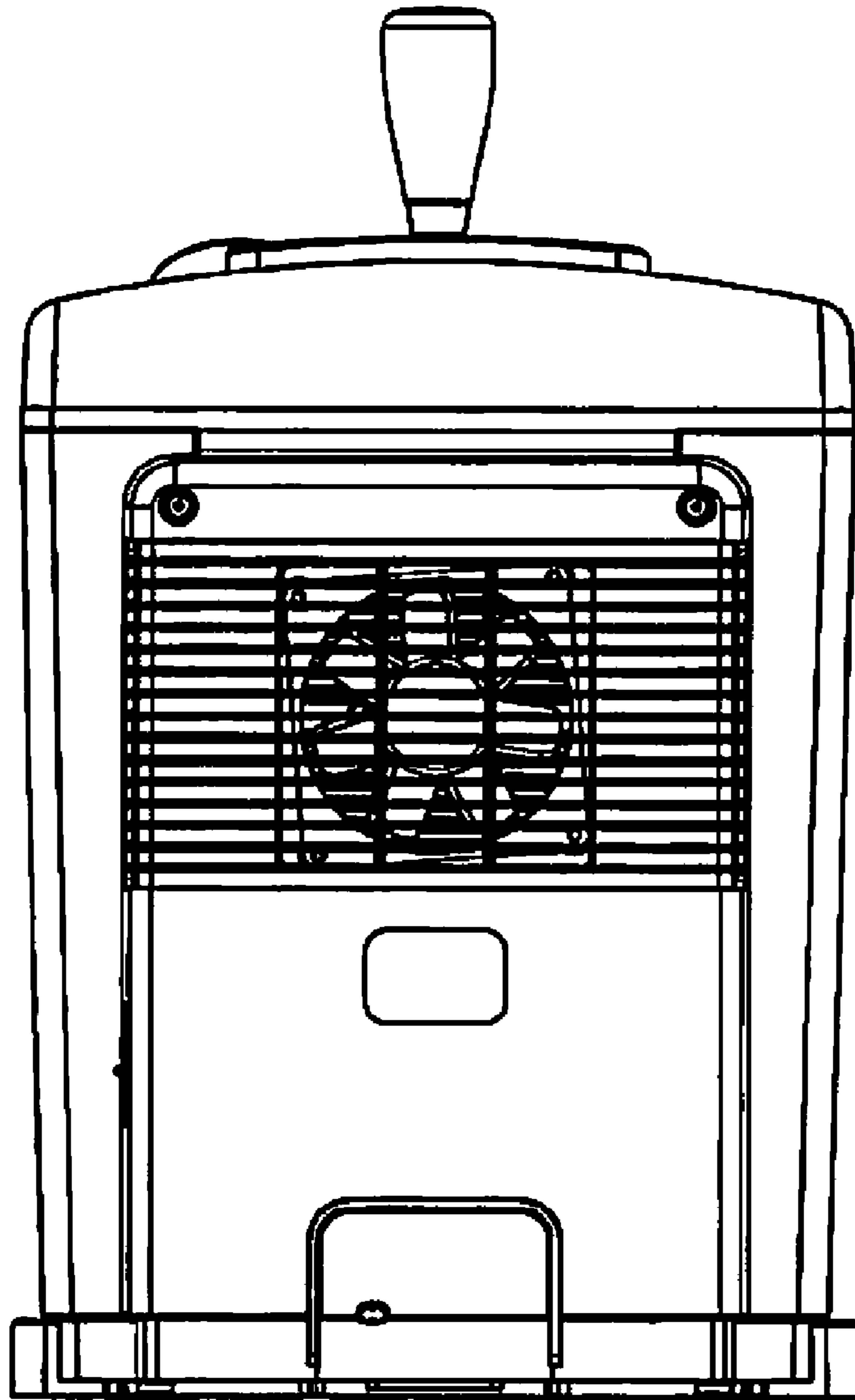


Fig. 6