



US00D583607S

(12) **United States Design Patent**
Hanson et al.

(10) **Patent No.:** **US D583,607 S**

(45) **Date of Patent:** **** Dec. 30, 2008**

(54) **MATTRESS AND LINEN RETAINING DEVICE**

2006/0207023 A1* 9/2006 DeHart et al. 5/98.1

* cited by examiner

(76) Inventors: **Colleen Hanson**, 276 E. Wilson St.,
Costa Mesa, CA (US) 92627; **Catherine Belmonte**, 165 Monte Vista, #C, Costa
Mesa, CA (US) 92627

Primary Examiner—Caron Veynar

Assistant Examiner—Mary Ann Calabrese

(74) *Attorney, Agent, or Firm*—G. Donald Weber, Jr.

(**) Term: **14 Years**

(57) **CLAIM**

(21) Appl. No.: **29/244,520**

The ornamental design for a mattress and linen retraining device, as shown and described.

(22) Filed: **Dec. 12, 2005**

DESCRIPTION

(51) **LOC (8) Cl.** **06-99**

FIG. 1 is a perspective view of the mattress and linen retaining device showing our new design, in use with a mattress.

(52) **U.S. Cl.** **D6/607**

FIG. 2 is a cross-sectional view of the mattress and linen retaining device taken along the line 2—2 in FIG. 1.

(58) **Field of Classification Search** D6/503,
D6/595, 596, 602, 603, 606, 607, 610; 5/93.1,
5/98.1, 482, 493, 494, 496, 497, 499, 500,
5/658–660, 665, 678, 680, 732; D7/550.1,
D7/554.3, 609, 910; D26/2

FIG. 3 is one side view of the mattress and linen retaining device shown with the mattress removed. The opposite side view is the mirror image.

See application file for complete search history.

FIG. 4 is one end view of the mattress and linen retaining device.

(56) **References Cited**

The opposite end view is the mirror image.

U.S. PATENT DOCUMENTS

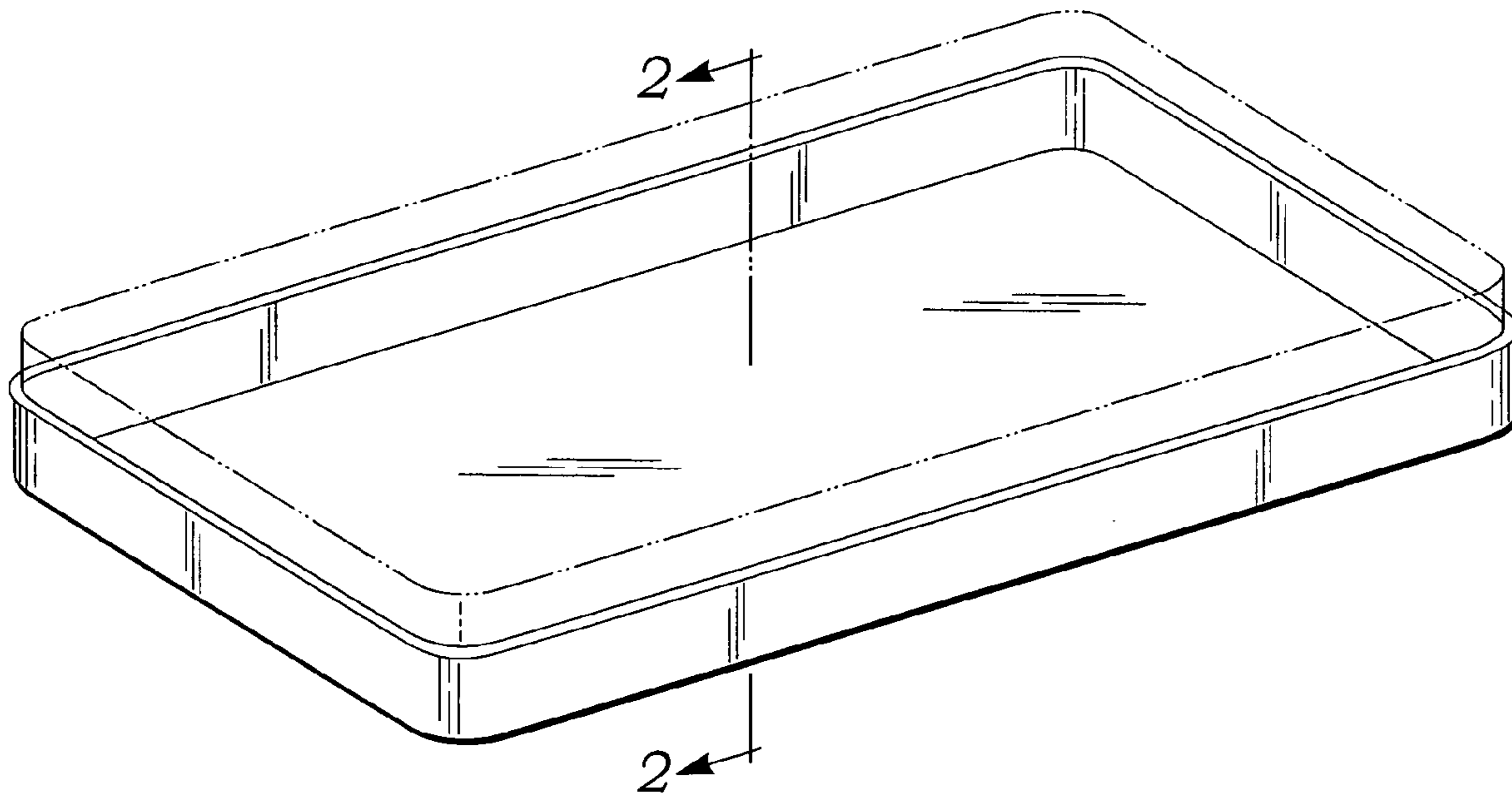
799,390	A *	9/1905	Kuykendall	5/93.1
3,803,646	A *	4/1974	Newerowski	5/496
4,186,457	A *	2/1980	Amelung	5/680
4,187,567	A *	2/1980	Crowther	5/678
D276,112	S *	10/1984	Ferrell et al.	D6/503
4,682,379	A *	7/1987	Dugan	5/500
5,822,817	A *	10/1998	Carew et al.	5/732
D455,594	S *	4/2002	Gratz	D6/606
D466,354	S *	12/2002	Gratz	D6/606

FIG. 5 is a top view of the mattress and linen retaining device; and,

FIG. 6 is a bottom view of the mattress and linen retaining device.

In the drawings, the broken lines represent environmental structure forming no part of the claimed design.

1 Claim, 2 Drawing Sheets



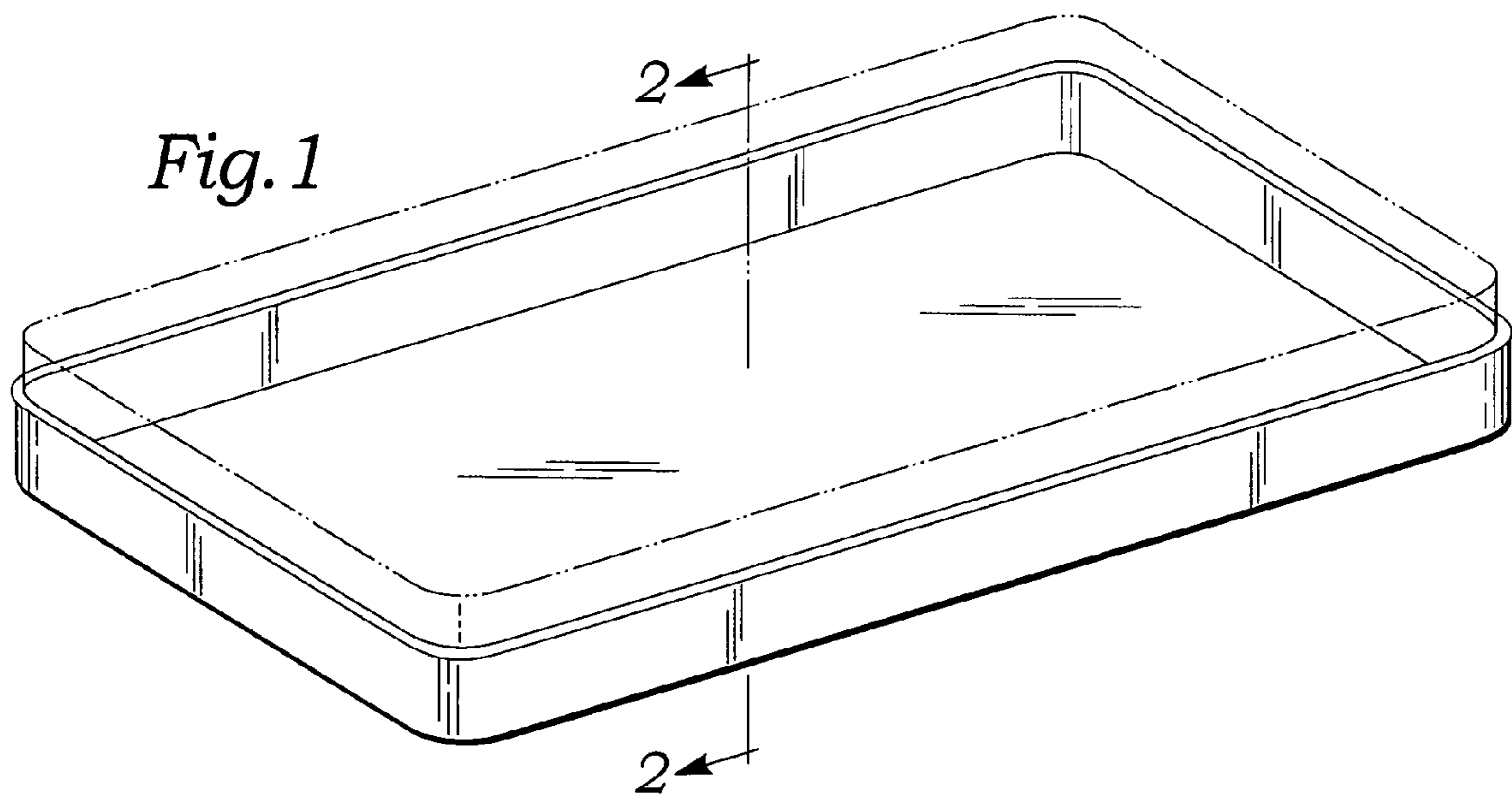


Fig. 2

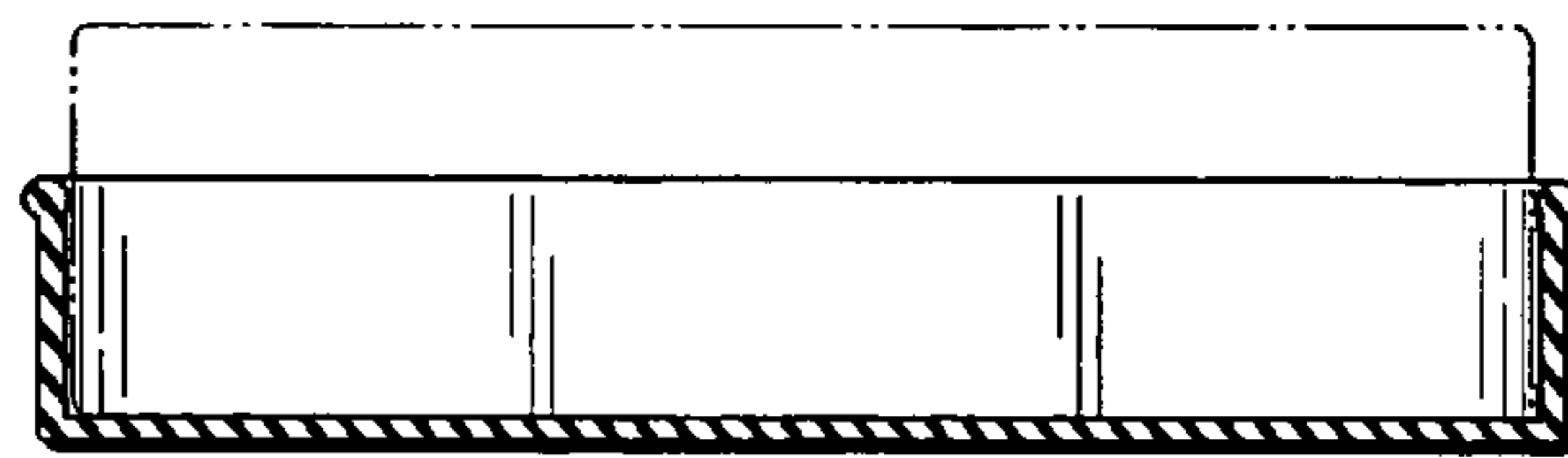


Fig. 3

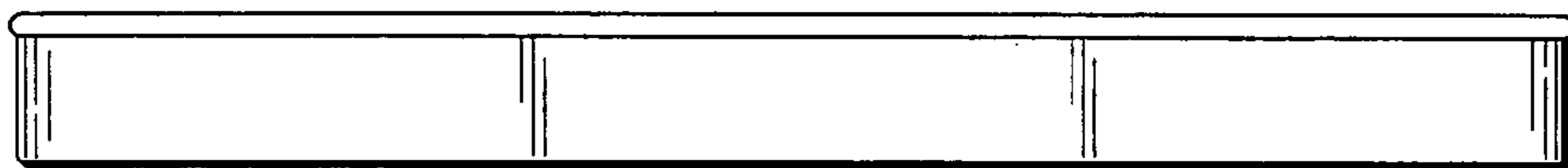


Fig. 4

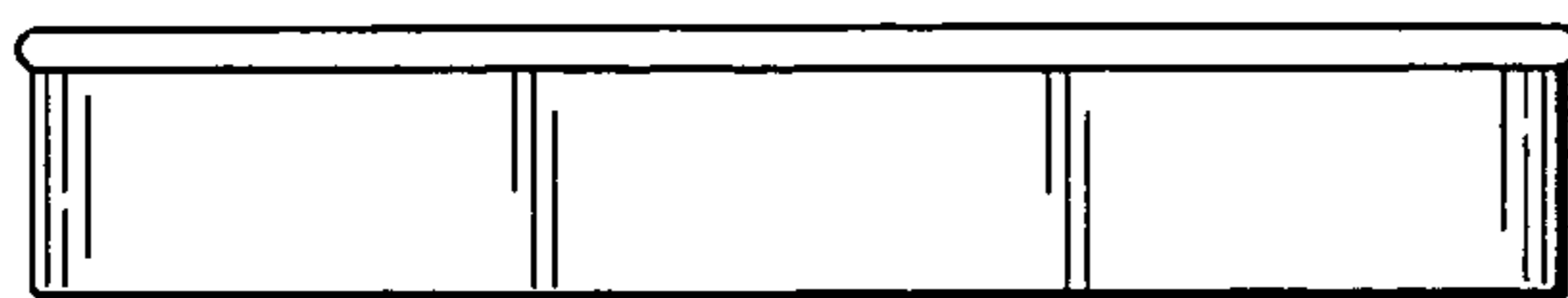


Fig. 5

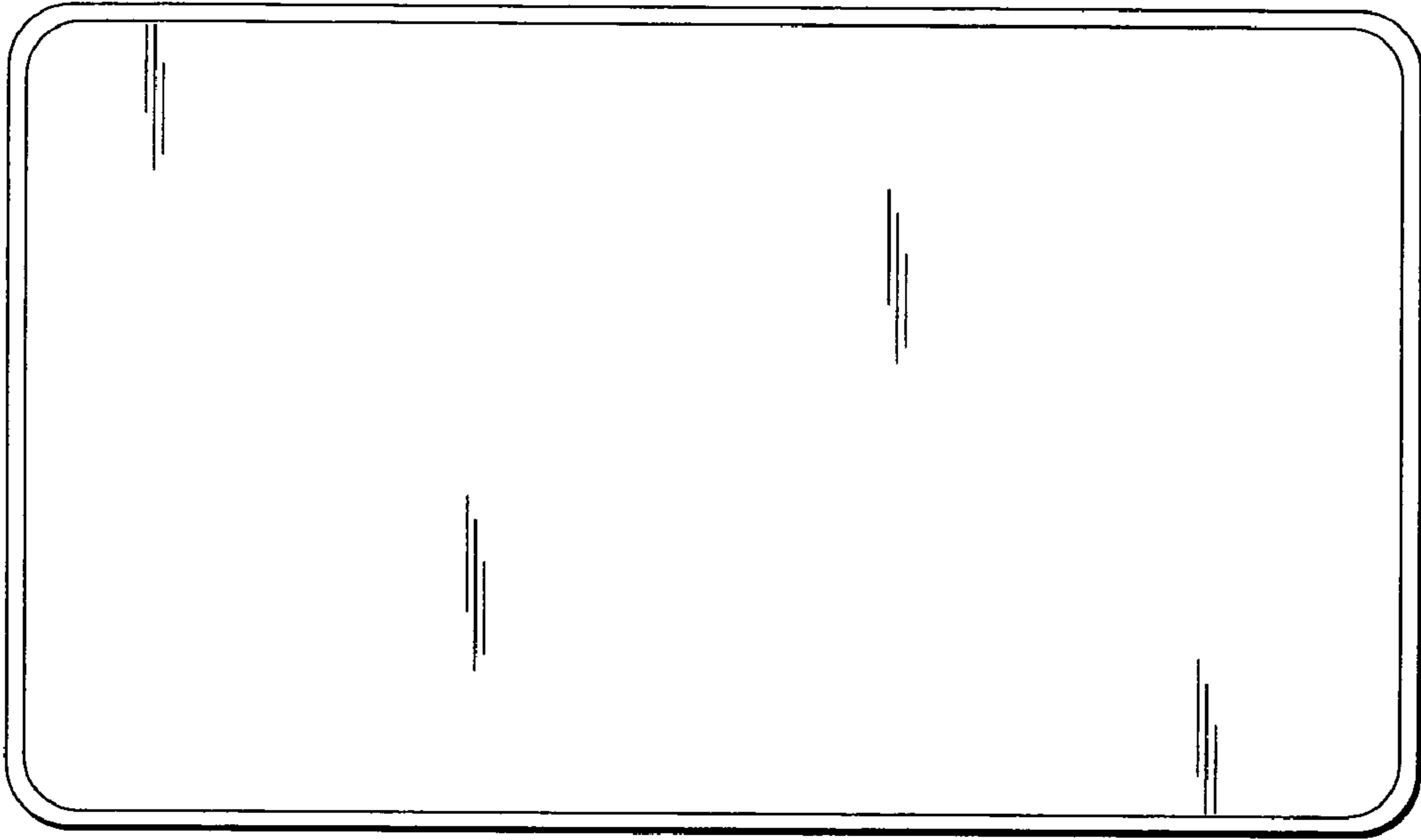


Fig. 6

