



US00D583605S

(12) **United States Design Patent**
Krinsky et al.

(10) **Patent No.:** **US D583,605 S**

(45) **Date of Patent:** **** Dec. 30, 2008**

(54) **DECORATIVE HEADREST AND EYEWEAR**

(76) Inventors: **Lisa Krinsky**, 1131 Hillsboro Mile,
Hillsboro Beach, FL (US) 33062; **Robyn**
Tauber, 19569 NE. 36 Pl., Aventura, FL
(US) 33180

(**) Term: **14 Years**

(21) Appl. No.: **29/294,313**

(22) Filed: **Jan. 5, 2008**

(51) **LOC (8) Cl.** **06-09**

(52) **U.S. Cl.** **D6/601**

(58) **Field of Classification Search** D6/595-598,
D6/601, 604, 605; 5/630, 633, 636, 644,
5/652, 653, 655, 655.3, 655.9, 907; D24/183;
D21/803; D16/301

See application file for complete search history.

(56) **References Cited**

U.S. PATENT DOCUMENTS

- D302,167 S * 7/1989 Sherman D16/301
- D316,793 S * 5/1991 Manjarrez D6/601
- D413,751 S * 9/1999 Alyea D6/601
- D445,624 S * 7/2001 Futagami D6/604
- D450,516 S * 11/2001 Darling et al. D6/601

- 7,000,274 B2 * 2/2006 Matthews Brown et al. 5/636
- D549,507 S * 8/2007 Boutin D6/601
- 2003/0009827 A1 * 1/2003 Matthews Brown 5/636
- 2005/0150050 A1 * 7/2005 Wolf et al. 5/636
- 2007/0271703 A1 * 11/2007 Matthews Brown et al. 5/636

* cited by examiner

Primary Examiner—Janice E Seeger

(74) *Attorney, Agent, or Firm*—Malloy & Malloy, P.A.

(57) **CLAIM**

The ornamental design for a decorative headrest and eyewear,
as shown and described.

DESCRIPTION

FIG. 1 is a top perspective view illustrating my design for a
decorative headrest and eyewear;

FIG. 2 is a top plan view thereof;

FIG. 3 is a left side view thereof;

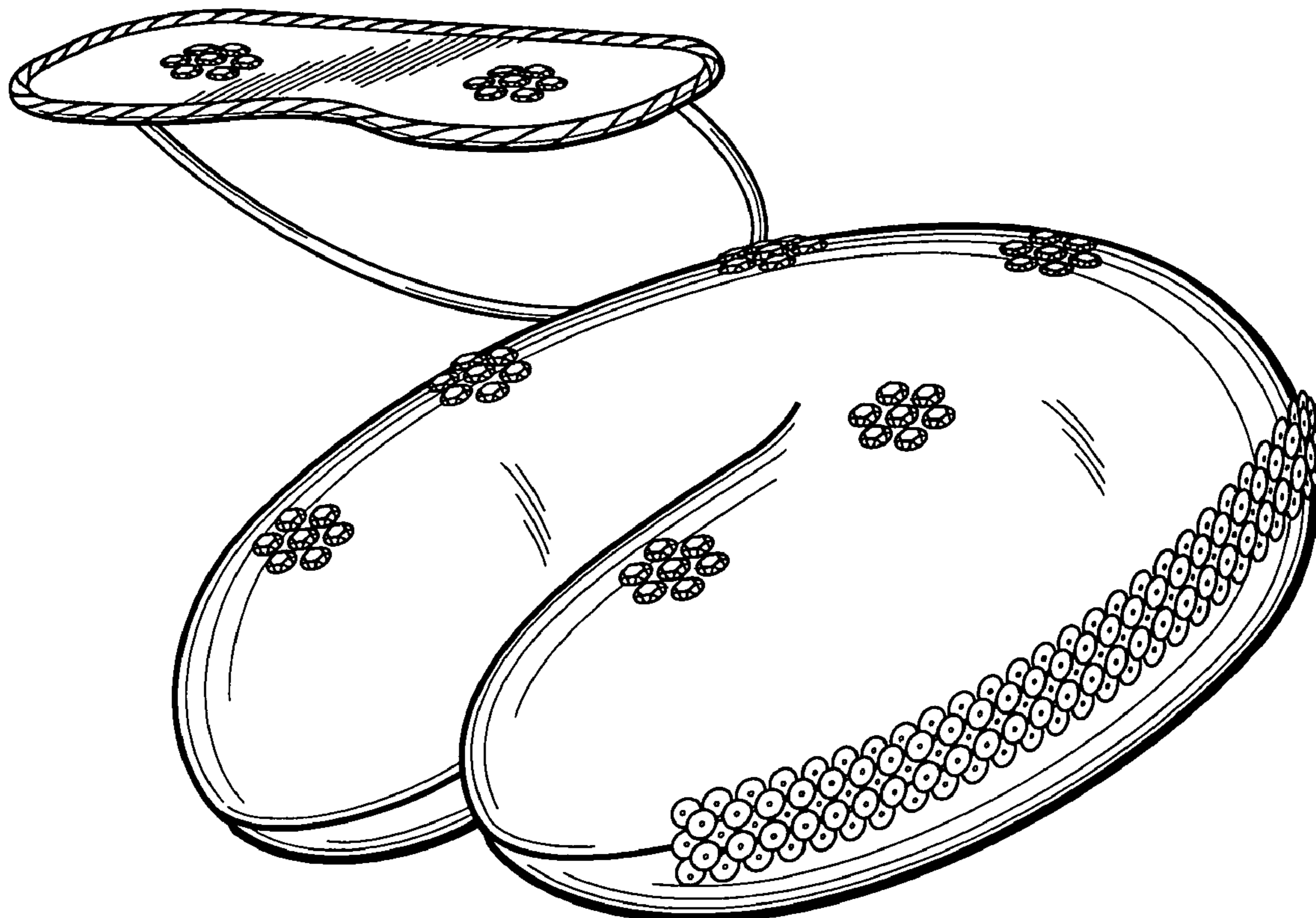
FIG. 4 is a rear plan view thereof;

FIG. 5 is a right side view thereof;

FIG. 6 is a front plan view thereof; and,

FIG. 7 is a bottom view thereof.

1 Claim, 5 Drawing Sheets



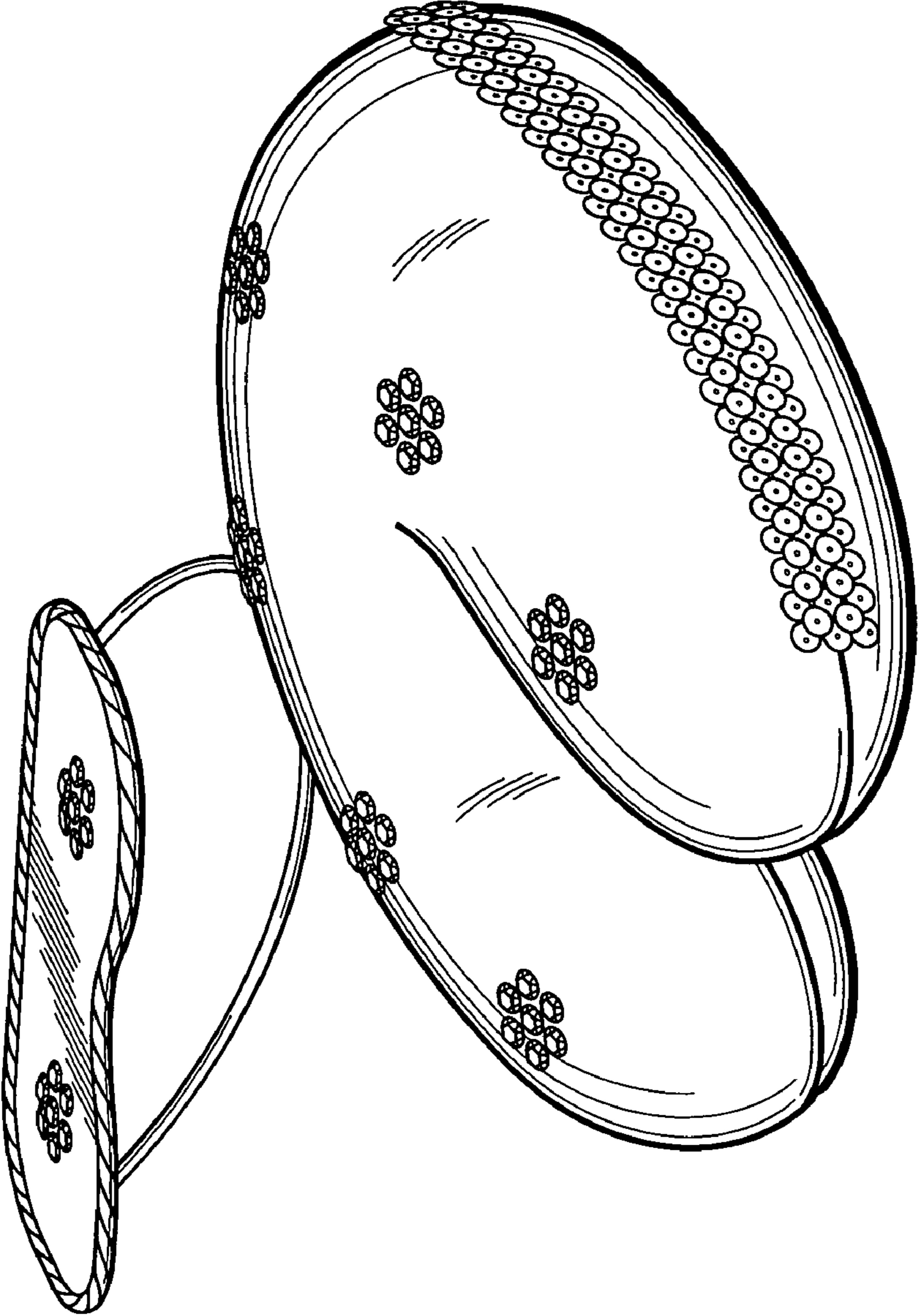


FIG. 1

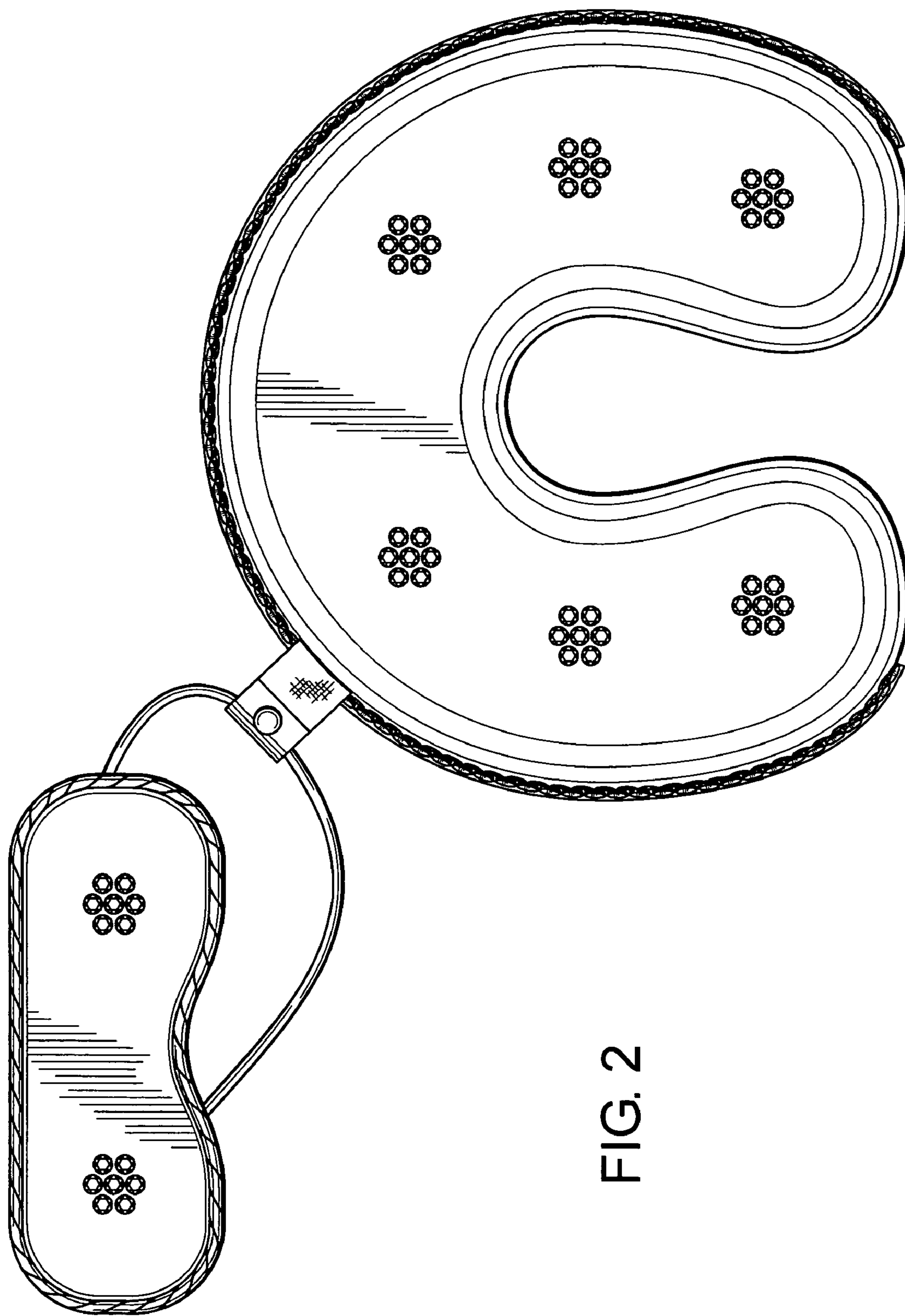


FIG. 2

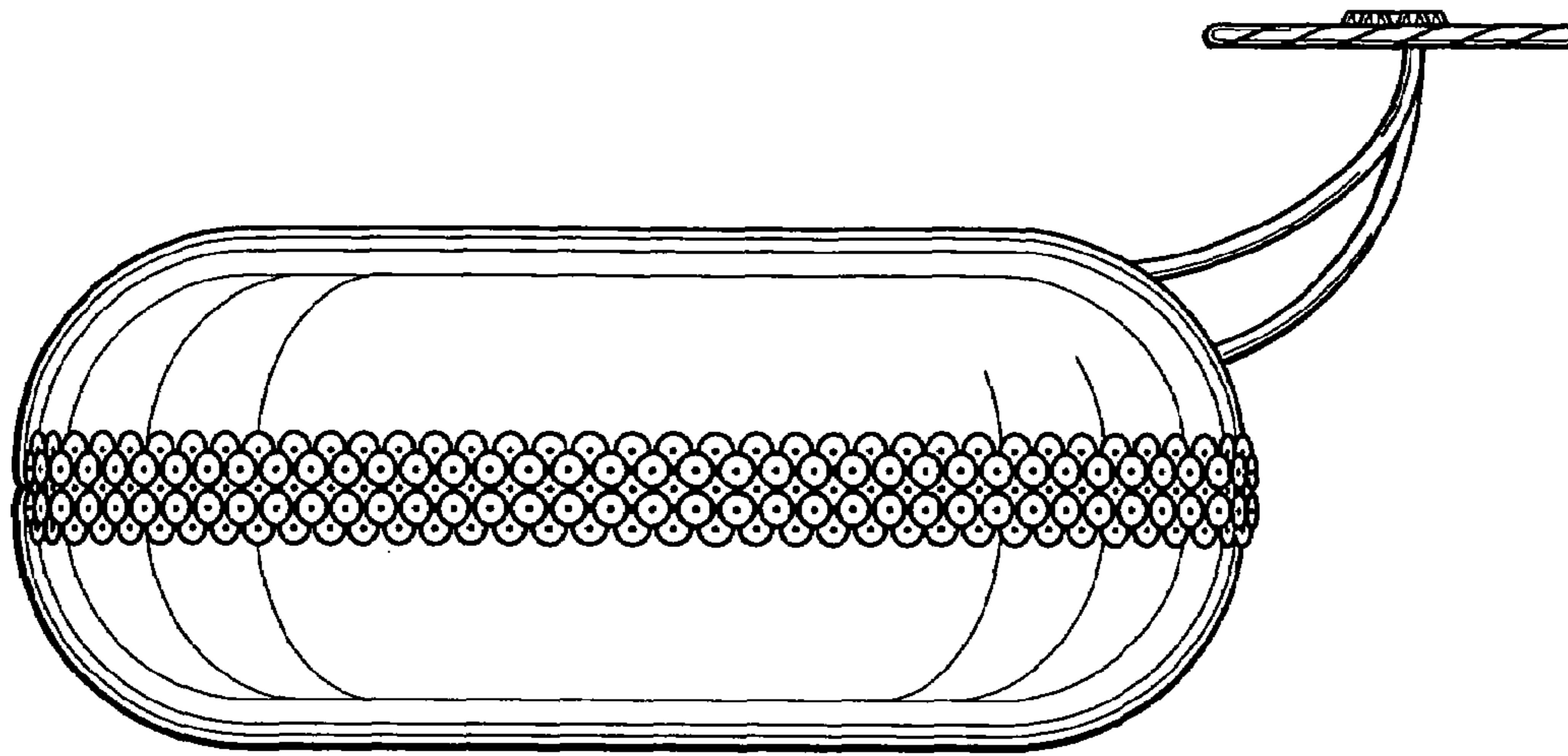


FIG. 5

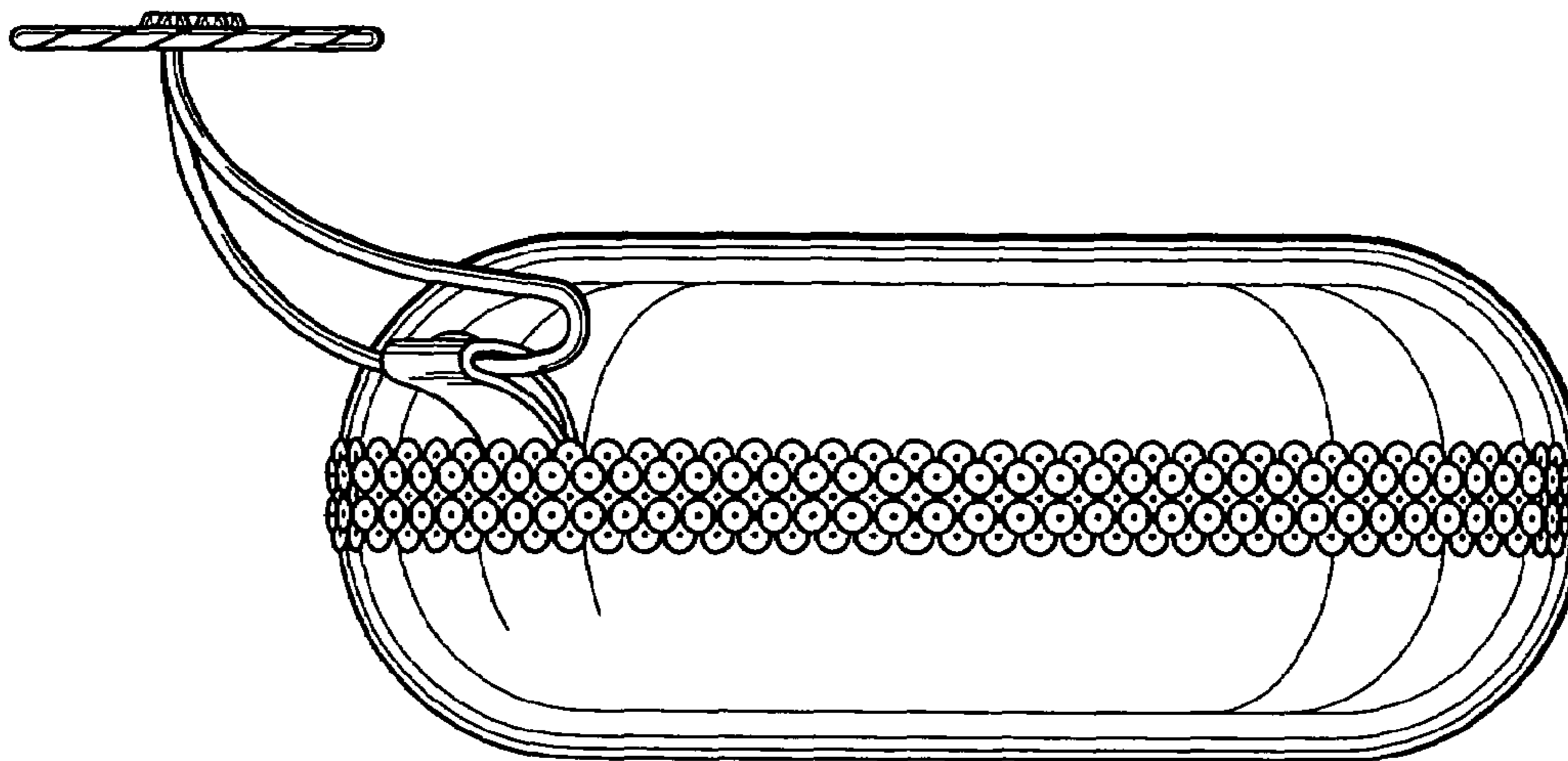


FIG. 3

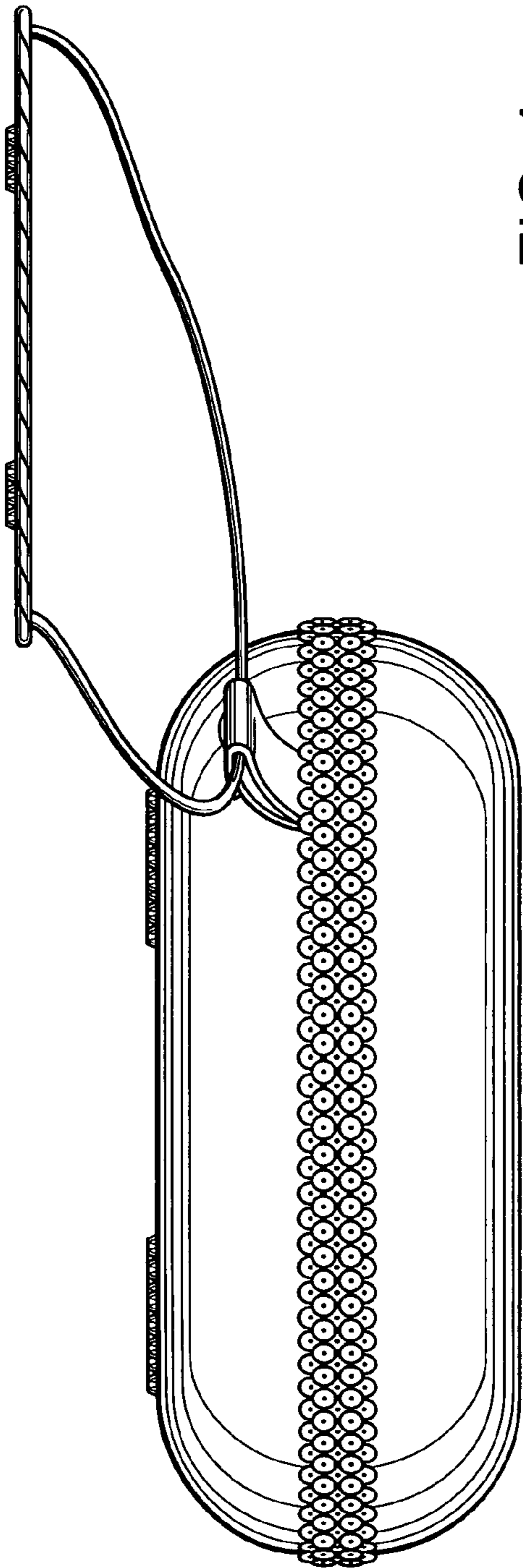


FIG. 4

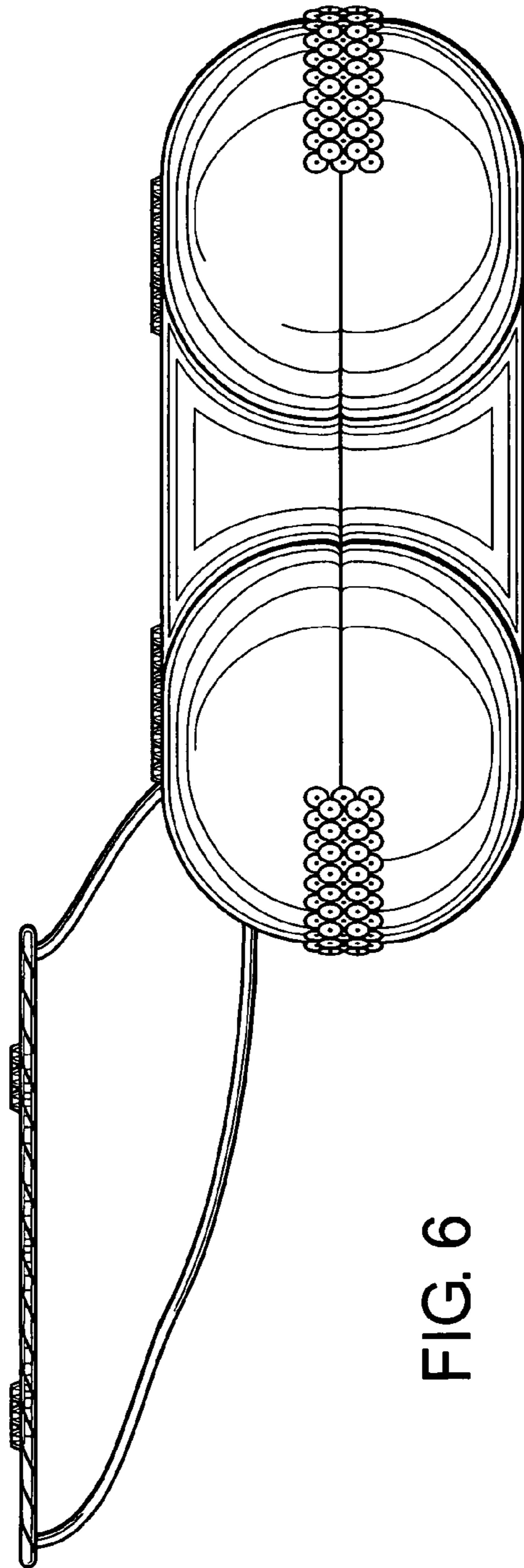


FIG. 6

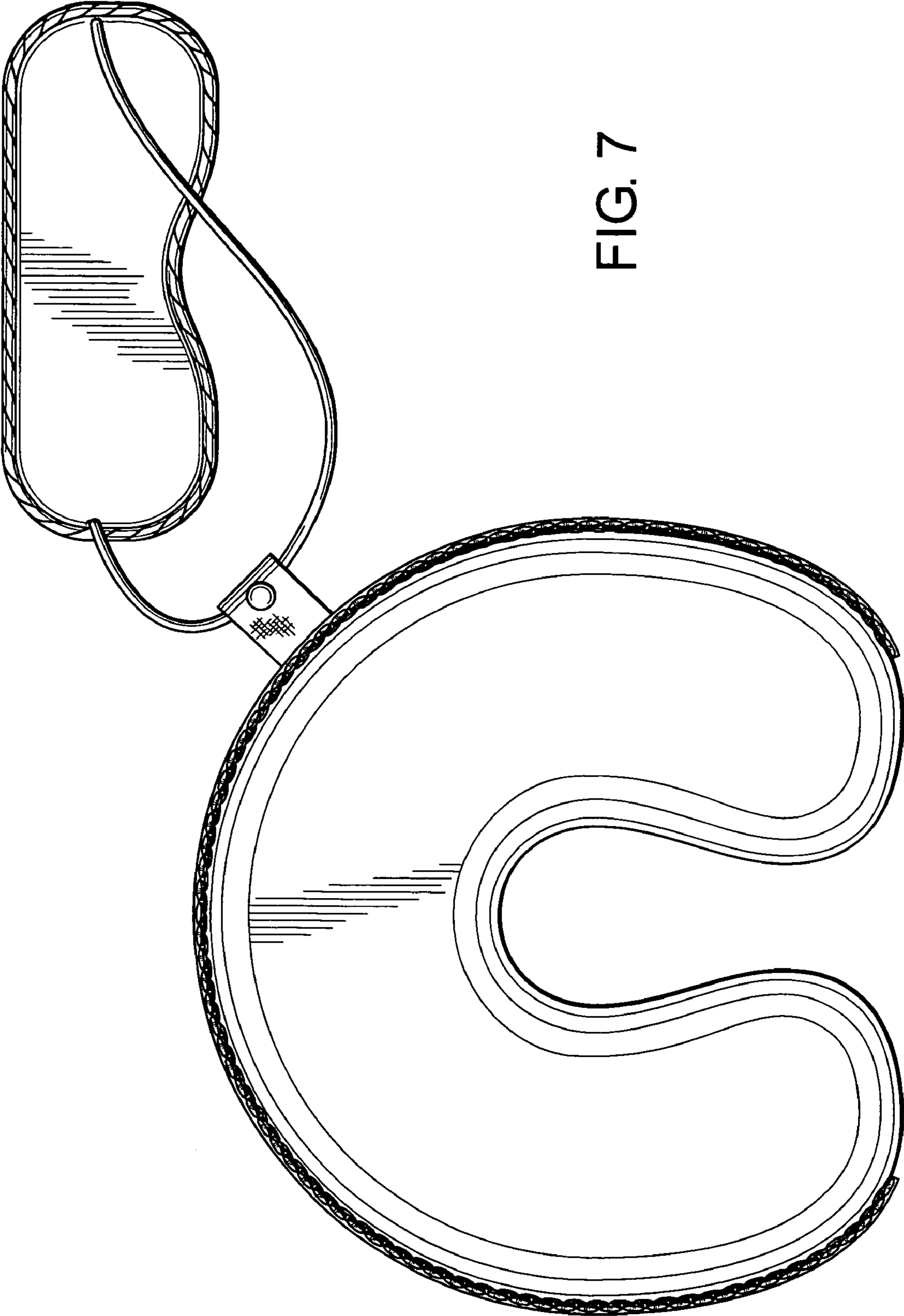


FIG. 7