



US00D583603S

(12) **United States Design Patent**  
**Samuelsson**

(10) **Patent No.:** **US D583,603 S**

(45) **Date of Patent:** **\*\* Dec. 30, 2008**

(54) **CORE FOR SLAT MATERIAL FOR VENETIAN BLINDS**

(75) Inventor: **Christer Samuelsson**, Vargarda (SE)

(73) Assignee: **Turnils AB**, Alingsas (SE)

(\*\*) Term: **14 Years**

(21) Appl. No.: **29/318,275**

(22) Filed: **May 16, 2008**

(30) **Foreign Application Priority Data**

Nov. 20, 2007 (EM) ..... 000831359-0001

(51) **LOC (8) Cl.** ..... **06-10**

(52) **U.S. Cl.** ..... **D6/580; D6/581**

(58) **Field of Classification Search** ..... D6/575,  
D6/576, 577, 578, 579, 580, 581; 160/38,  
160/39, 168.1, 168.1 R, 168.1 V, 173, 173 R,  
160/176.1 R, 176.1 V, 177, 178.1, 178.1 R,  
160/178.2, 331, 349.1, 349.2; 318/16, 17,  
318/600; 340/854.5; 84/10; D11/91; 24/130  
See application file for complete search history.

(56) **References Cited**

**U.S. PATENT DOCUMENTS**

D162,861 S \* 4/1951 Morehouse ..... D6/581  
4,406,042 A \* 9/1983 McPhee ..... 24/130  
4,956,588 A \* 9/1990 Ming ..... 318/16  
D340,638 S \* 10/1993 Campbell ..... D8/374  
5,270,629 A \* 12/1993 Hsieh ..... 318/600  
D357,380 S \* 4/1995 Fraser ..... D6/580  
5,671,793 A \* 9/1997 Lee ..... 160/168.1 R  
D401,798 S \* 12/1998 Simonsen et al. .... D6/580

D440,445 S \* 4/2001 Fraser ..... D6/580  
D506,341 S \* 6/2005 Gruner ..... D6/580  
D530,558 S \* 10/2006 Damiano ..... D6/580  
D541,566 S \* 5/2007 Allsopp ..... D6/580  
D558,083 S \* 12/2007 Kothari ..... D11/91  
D569,157 S \* 5/2008 Liu ..... D6/580  
2002/0149500 A1 \* 10/2002 Beique et al. .... 340/854.5  
2004/0007116 A1 \* 1/2004 Marcus ..... 84/10  
2006/0027335 A1 \* 2/2006 Nien et al. .... 160/39

\* cited by examiner

*Primary Examiner*—Robert M Spear

*Assistant Examiner*—Barbara B Lohr

(74) *Attorney, Agent, or Firm*—Dorsey & Whitney LLP

(57) **CLAIM**

I claim the ornamental design for a core for slat material for venetian blinds, as shown and described.

**DESCRIPTION**

FIG. 1 is a perspective view of the top of a core for slat material for venetian blinds; the top of the core is shown as being upwardly inclined;

FIG. 2 is another perspective view of the top of the core; the top of the core is shown as extending vertically upward;

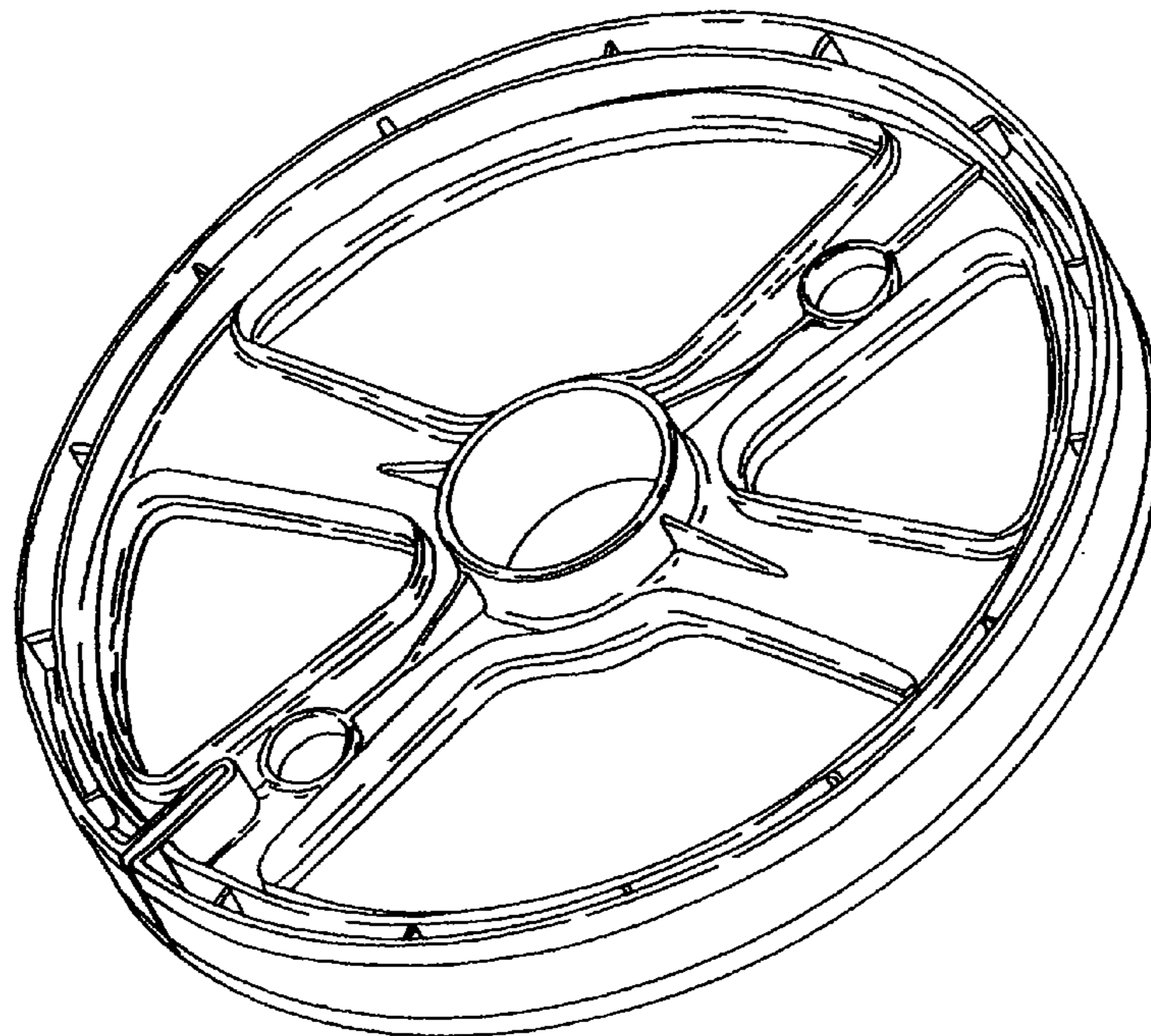
FIG. 3 depicts a plan view of the bottom side of core for slat material for venetian blinds;

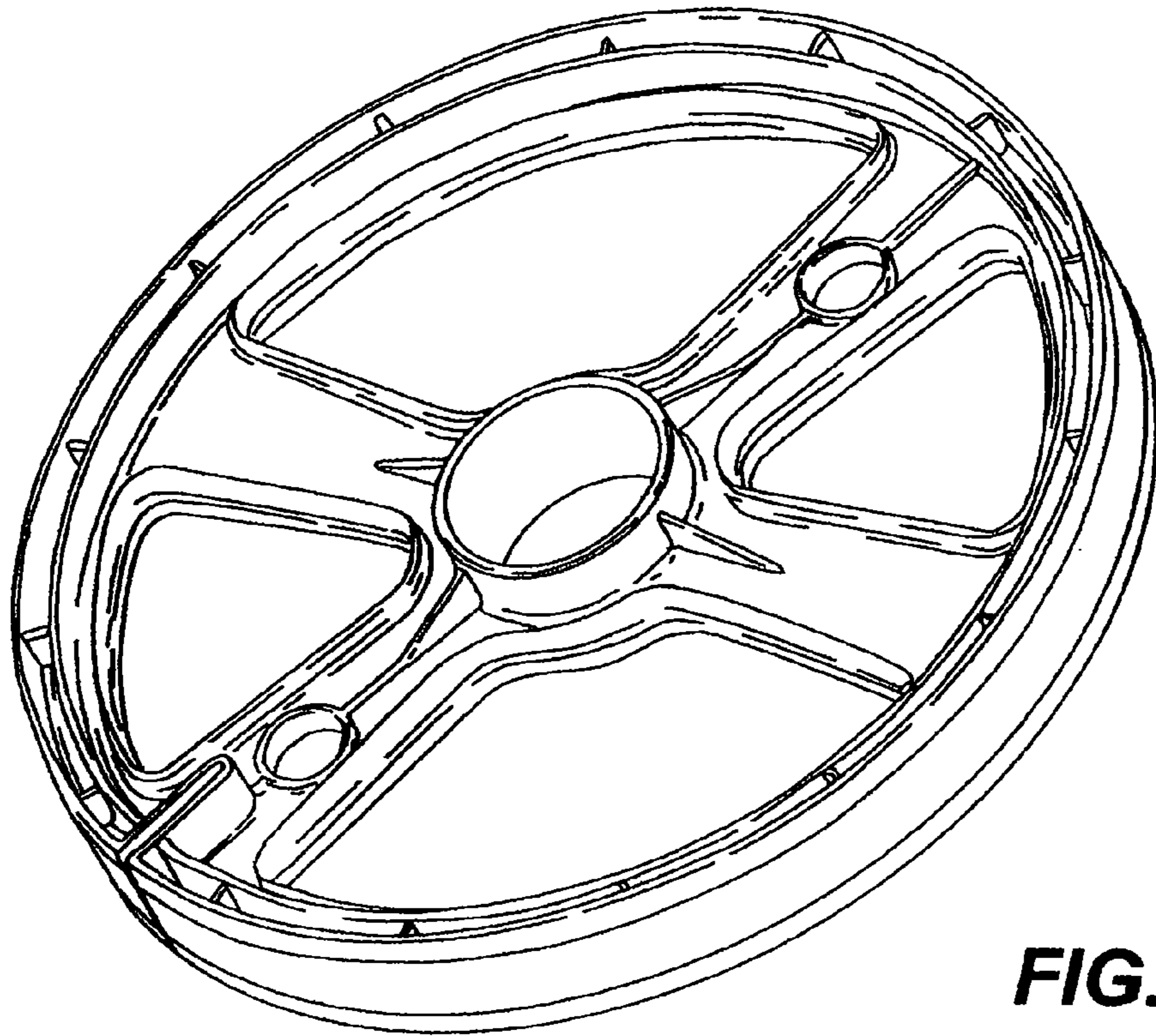
FIG. 4 is a plan view of a side of the core; and,

FIG. 5 is a plan view of another side of the core, showing a top-to-bottom groove in its circumferential edge.

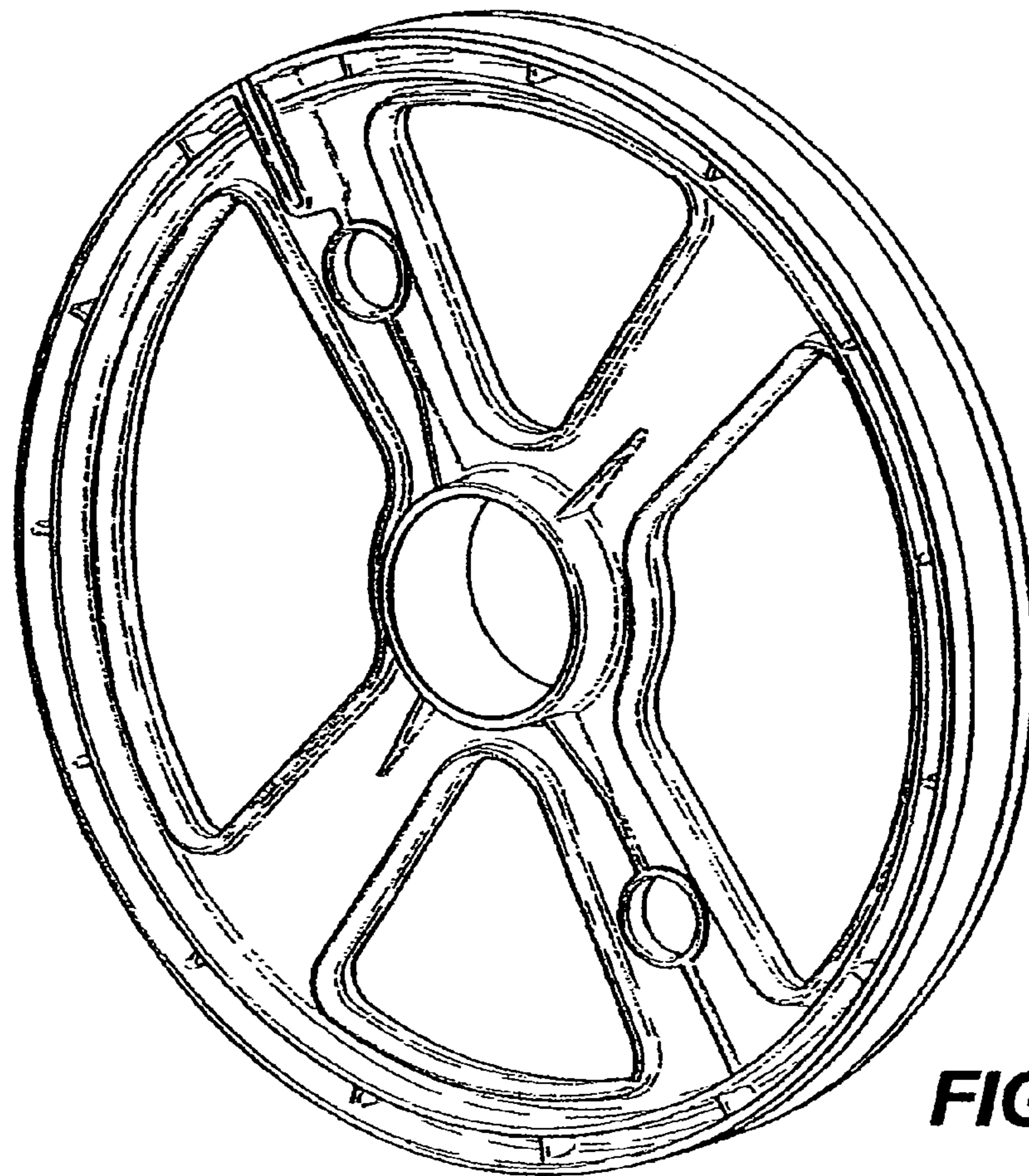
The broken lines depict the portions of the design that form no part of the claim.

**1 Claim, 3 Drawing Sheets**

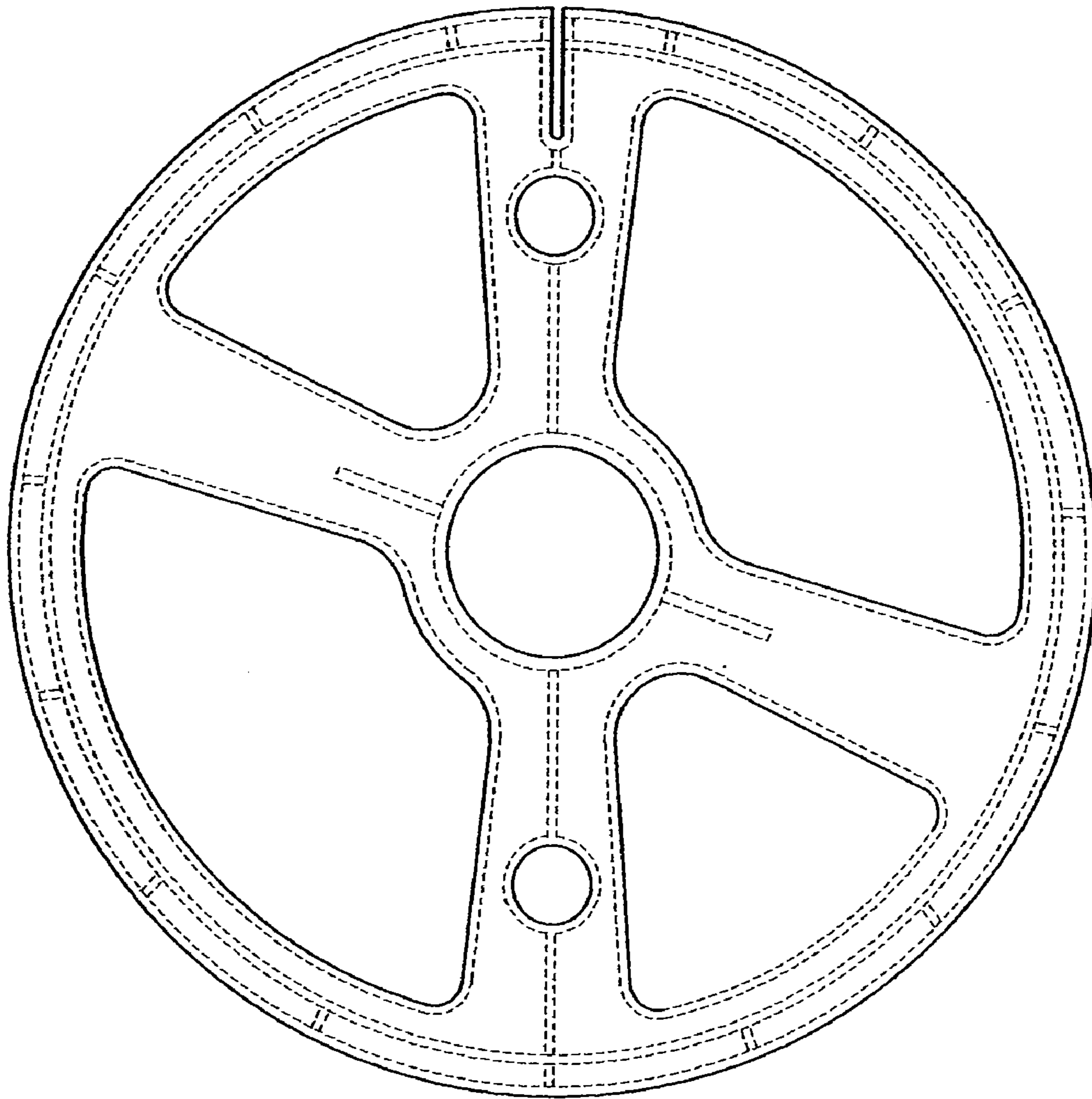




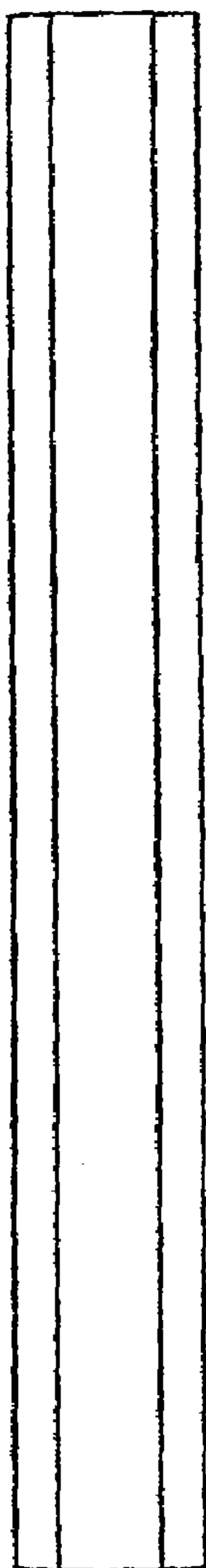
**FIG. 1**



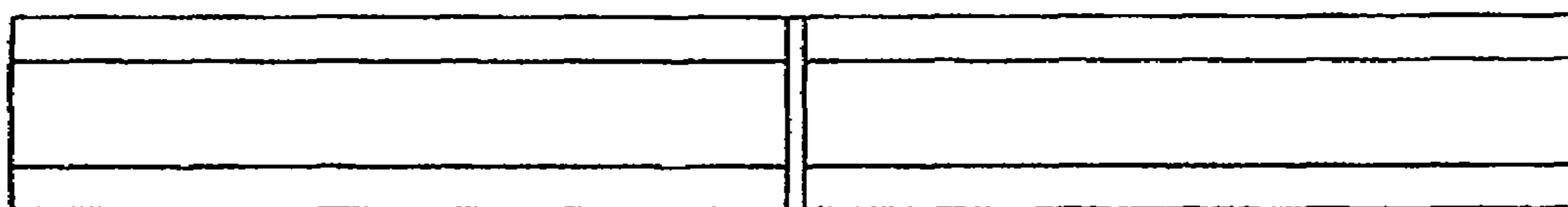
**FIG. 2**



**FIG. 3**



**FIG. 4**



**FIG. 5**