



US00D583599S

(12) **United States Design Patent**
Nielsen

(10) **Patent No.:** **US D583,599 S**

(45) **Date of Patent:** **** Dec. 30, 2008**

(54) **MULTIMEDIA CONTROLLER TRAY**

(75) Inventor: **Britta Claire Nielsen**, Bellevue, WA
(US)

(73) Assignee: **Slam Brands, Inc.**, Redmond, WA (US)

(**) Term: **14 Years**

(21) Appl. No.: **29/318,128**

(22) Filed: **May 14, 2008**

(51) **LOC (8) Cl.** **06-04**

(52) **U.S. Cl.** **D6/510**

(58) **Field of Classification Search** D6/510;
206/373, 562, 563, 214, 371; D19/65, 75,
D19/77-78, 81, 83, 86, 91-92, 95, 99, 100;
211/69.1, 69.9, 10-11, 13.1, 45, 50

See application file for complete search history.

(56) **References Cited**

U.S. PATENT DOCUMENTS

D242,654 S *	12/1976	Rawls	D24/229
D256,809 S *	9/1980	Evenson	D19/75
D308,699 S *	6/1990	Ancona et al.	D19/75
D332,553 S *	1/1993	Giugiaro	D7/637
D354,310 S *	1/1995	Crist et al.	D19/75
D357,034 S *	4/1995	King	D19/77
D363,856 S *	11/1995	Westbrooks, Jr.	D7/553.2
D397,274 S *	8/1998	Hise	D7/637
D421,554 S *	3/2000	Govrik et al.	D7/637

D422,141 S *	4/2000	Dembicks	D3/313
D446,063 S *	8/2001	Quinn	D6/510
D455,032 S *	4/2002	Quinn	D6/510
D490,259 S *	5/2004	Schumann et al.	D6/510
D545,500 S *	6/2007	McCambridge	D28/74
D547,973 S *	8/2007	Brown et al.	D6/476
D549,457 S *	8/2007	Dretzka	D3/304
D563,673 S *	3/2008	Dretzka	D3/304

* cited by examiner

Primary Examiner—Elizabeth A Albert

Assistant Examiner—Kelley A Donnelly

(74) *Attorney, Agent, or Firm*—Amin, Turocy & Calvin, LLP;
Thomas E. Watson

(57) **CLAIM**

The ornamental design for a multimedia controller tray, as shown and described.

DESCRIPTION

FIG. 1 is a perspective view of a multimedia controller tray;

FIG. 2 is a top plan view thereof;

FIG. 3 is a front side view thereof;

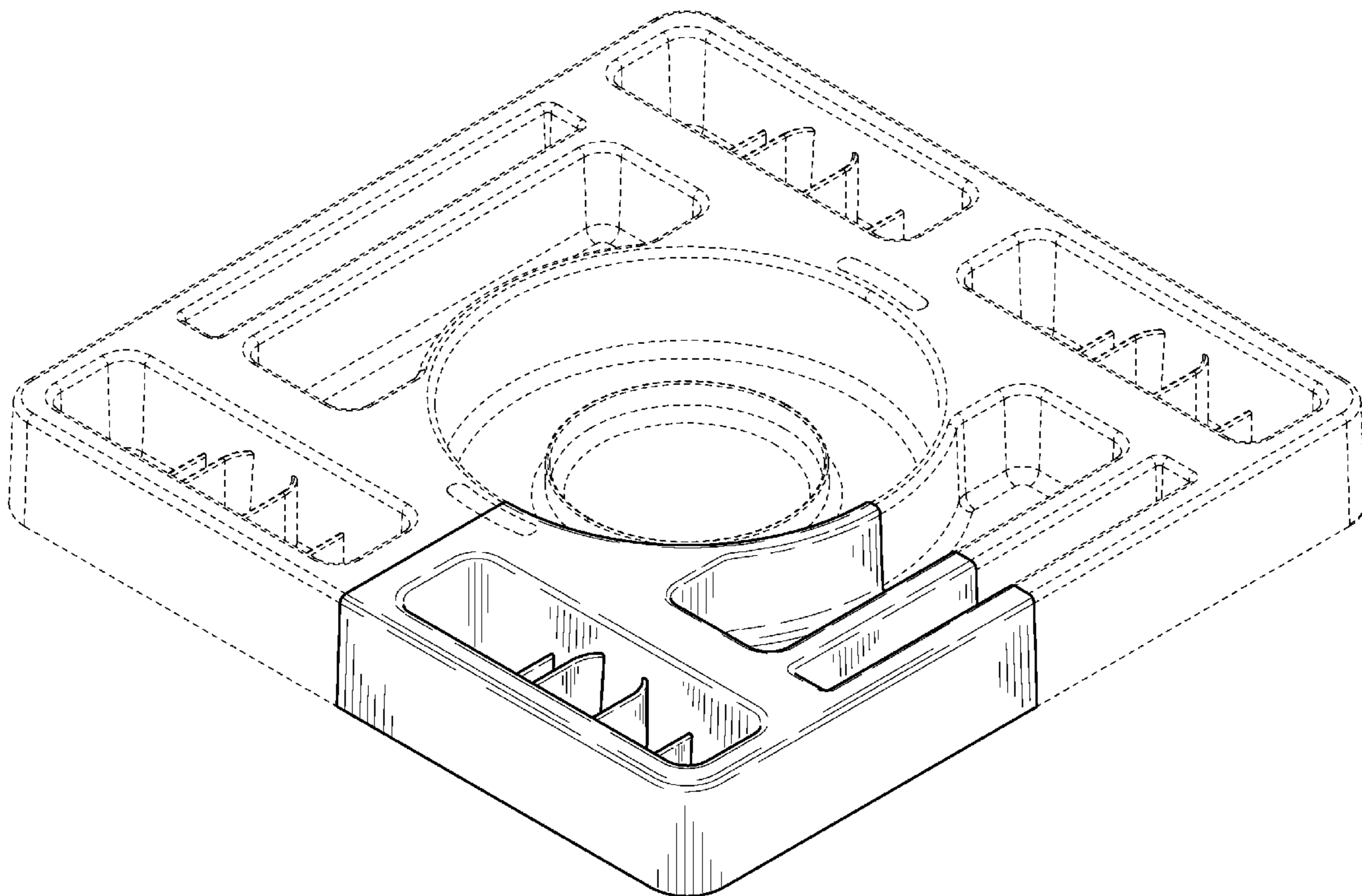
FIG. 4 is a right side view thereof;

FIG. 5 is a left side view thereof; and,

FIG. 6 is a rear side view thereof.

The dashed lines in the drawings are shown for environmental purposes and form no part of the claimed design.

1 Claim, 3 Drawing Sheets



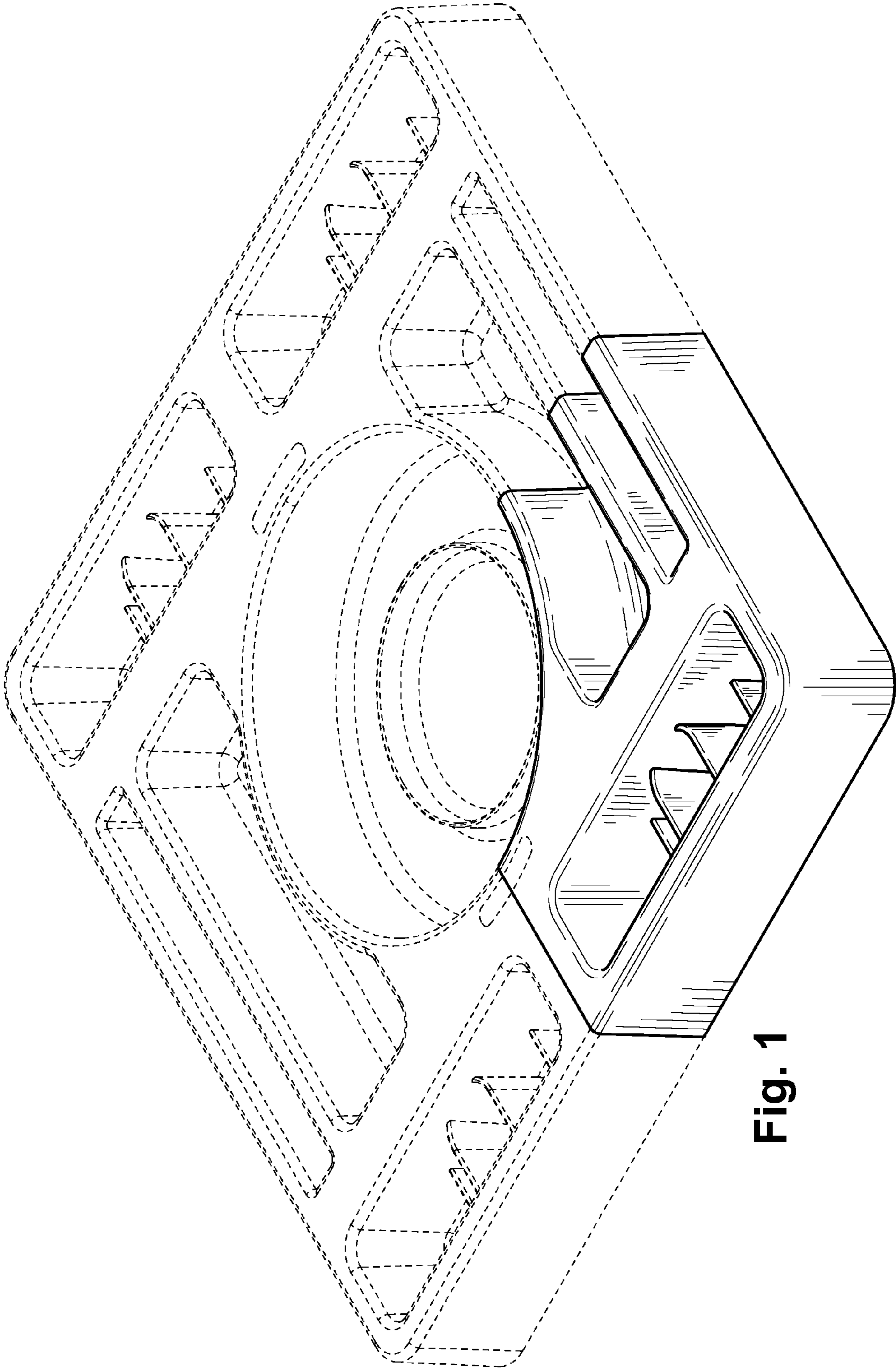


Fig. 1

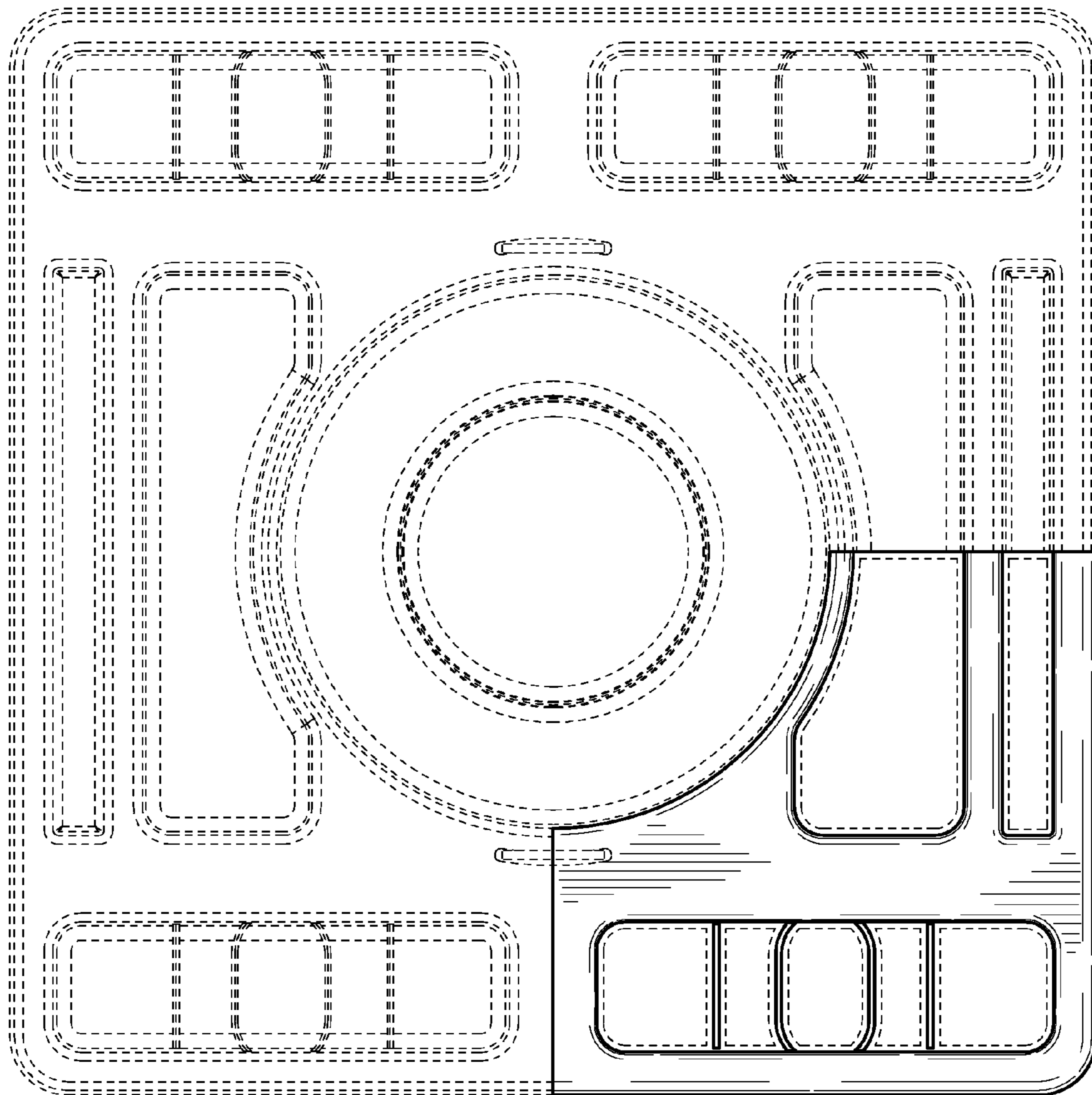


Fig. 2

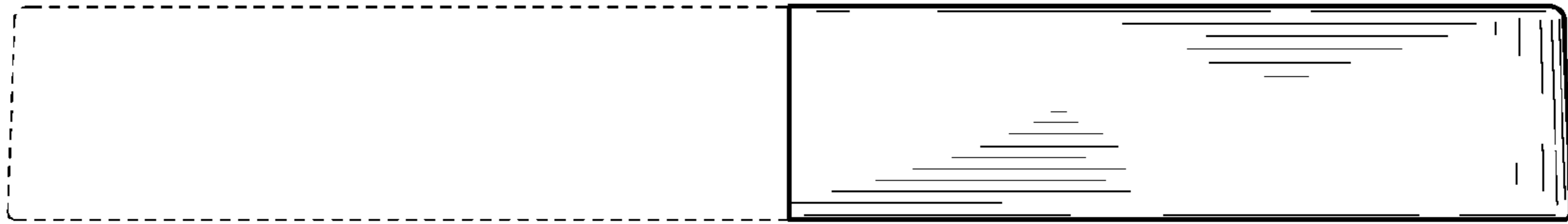


Fig. 3

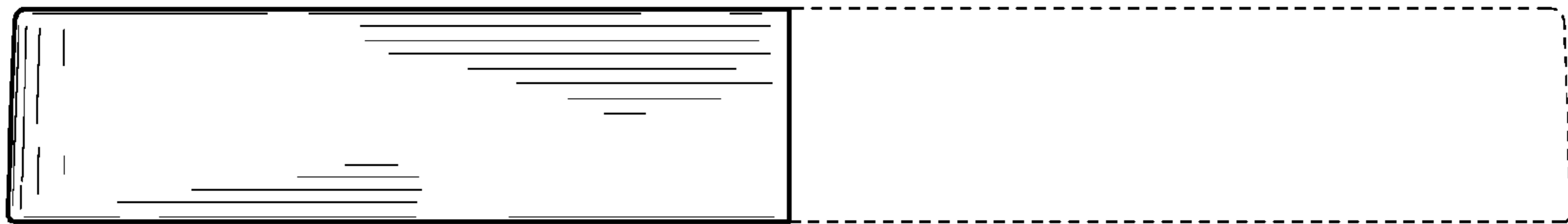


Fig. 4



Fig. 5



Fig. 6