



US00D583595S

(12) **United States Design Patent**  
**Knowles et al.**

(10) **Patent No.:** **US D583,595 S**

(45) **Date of Patent:** **\*\* Dec. 30, 2008**

(54) **CHAIR SEAT AND BACK**

(75) Inventors: **Kevin J. Knowles**, Monroe, MI (US);  
**David J. Westendorf**, Monroe, MI (US);  
**James W. Frobose**, Haskins, OH (US)

(73) Assignee: **Biofit Engineered Products, Inc.**,  
Waterville, OH (US)

(\*\*) Term: **14 Years**

(21) Appl. No.: **29/307,397**

(22) Filed: **Apr. 17, 2008**

(51) **LOC (8) Cl.** ..... **06-01**

(52) **U.S. Cl.** ..... **D6/500; D6/366**

(58) **Field of Classification Search** ..... D6/334-336,  
D6/360, 364, 365, 366, 367, 374, 379, 380,  
D6/500-502; 297/452.12, 452.26, 452.29,  
297/452.32, 452.35, 452.37, 452.48

See application file for complete search history.

(56) **References Cited**

**U.S. PATENT DOCUMENTS**

D227,953 S \* 7/1973 Prizlow ..... D6/366  
D239,988 S \* 5/1976 Dittert ..... D6/366  
D274,675 S \* 7/1984 Diffrient ..... D6/366  
D335,596 S \* 5/1993 Wogoman et al. .... D6/500  
D340,589 S \* 10/1993 Chu ..... D6/366

D472,080 S \* 3/2003 Kita ..... D6/500  
D502,016 S \* 2/2005 Goodworth ..... D6/366  
D510,817 S \* 10/2005 Goodworth ..... D6/366  
D515,854 S \* 2/2006 Goodworth ..... D6/500  
D535,486 S \* 1/2007 Huang ..... D6/366

\* cited by examiner

*Primary Examiner*—Mimosa De

(74) *Attorney, Agent, or Firm*—Emch, Schaffer, Schaub &  
Porcello, Co., L.P.A.

(57) **CLAIM**

The ornamental design for a chair seat and back, as shown and described.

**DESCRIPTION**

FIG. 1 is a perspective view of the chair seat and back of the present invention; features shown in phantom or broken lines are not considered to be part of the invention.

FIG. 2 is a front elevation view of the design.

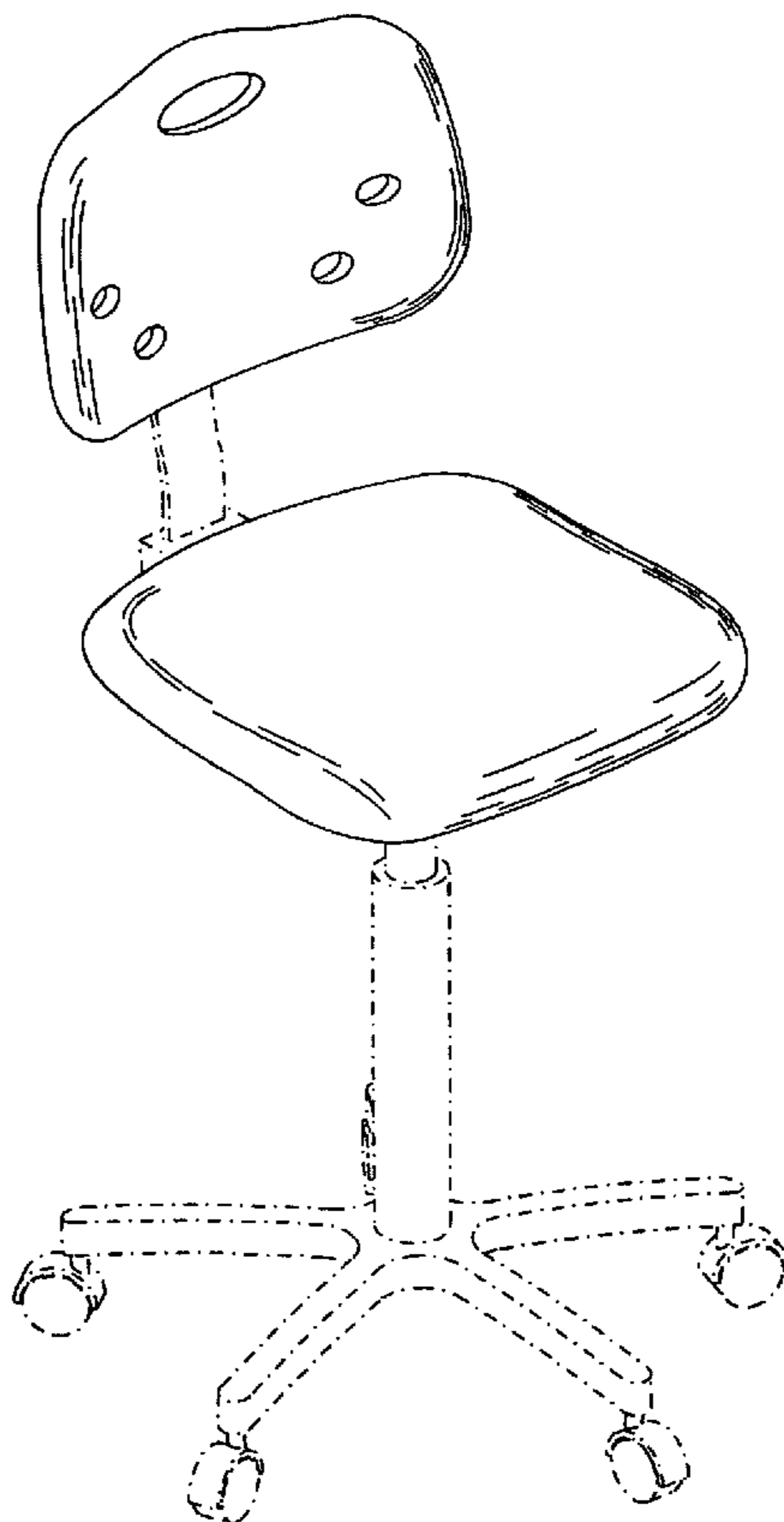
FIG. 3 is a back elevation view of the design.

FIG. 4 is a left side elevation view of the design; the right side elevation view is a mirror image of the left side elevation view.

FIG. 5 is a bottom view of the design; and,

FIG. 6 is a top view of the design.

**1 Claim, 6 Drawing Sheets**



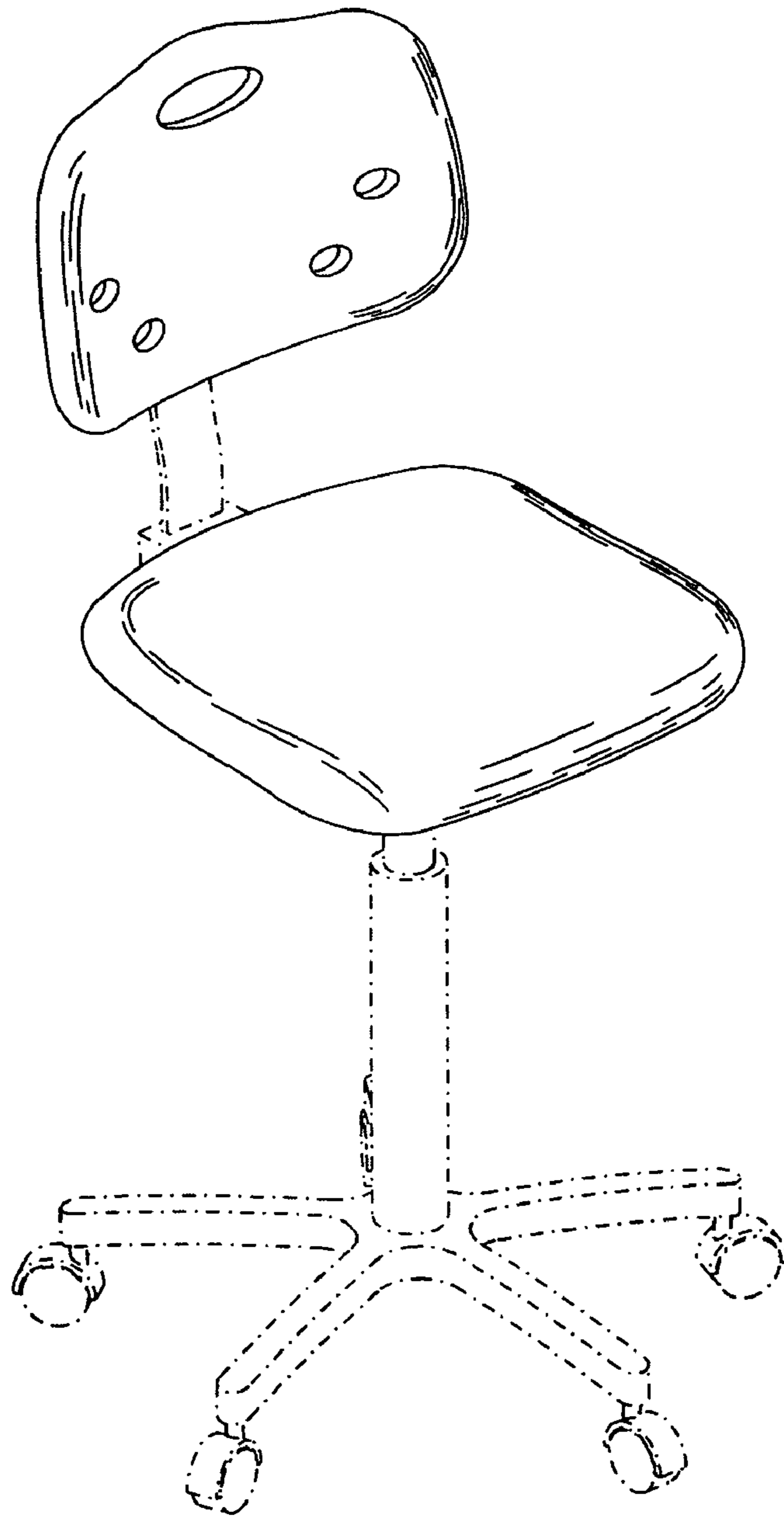


FIG. 1

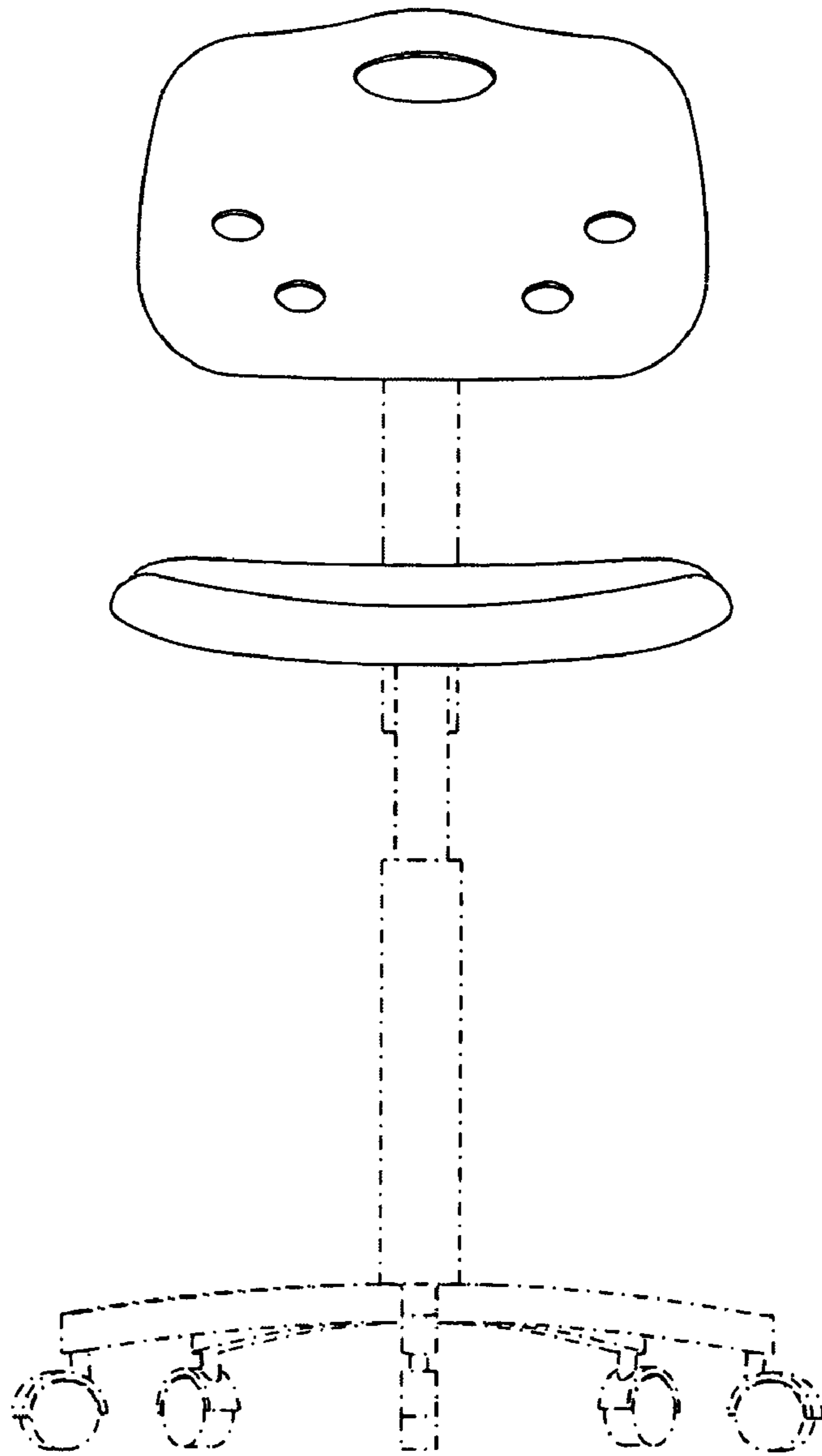


FIG. 2

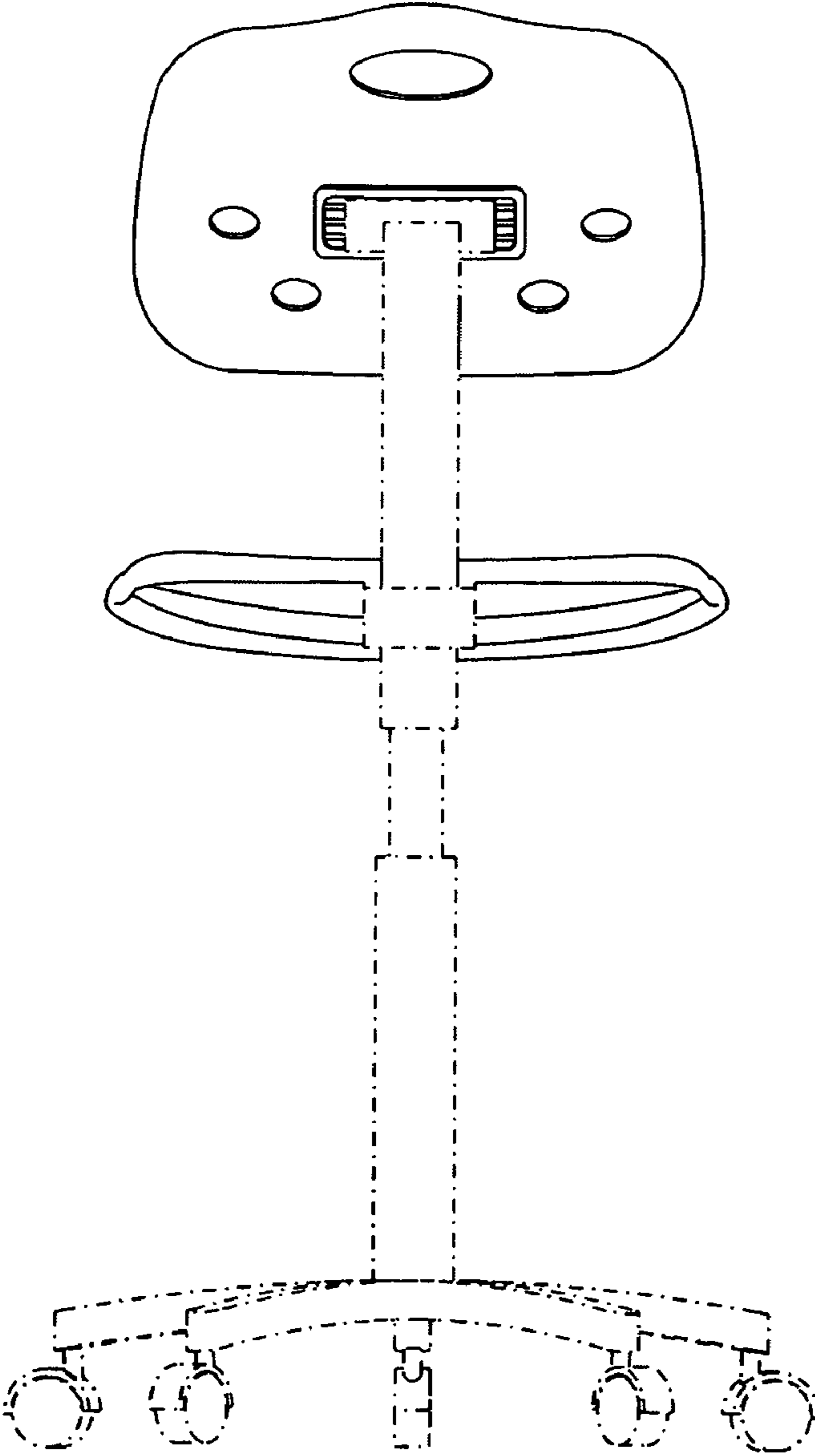


FIG. 3

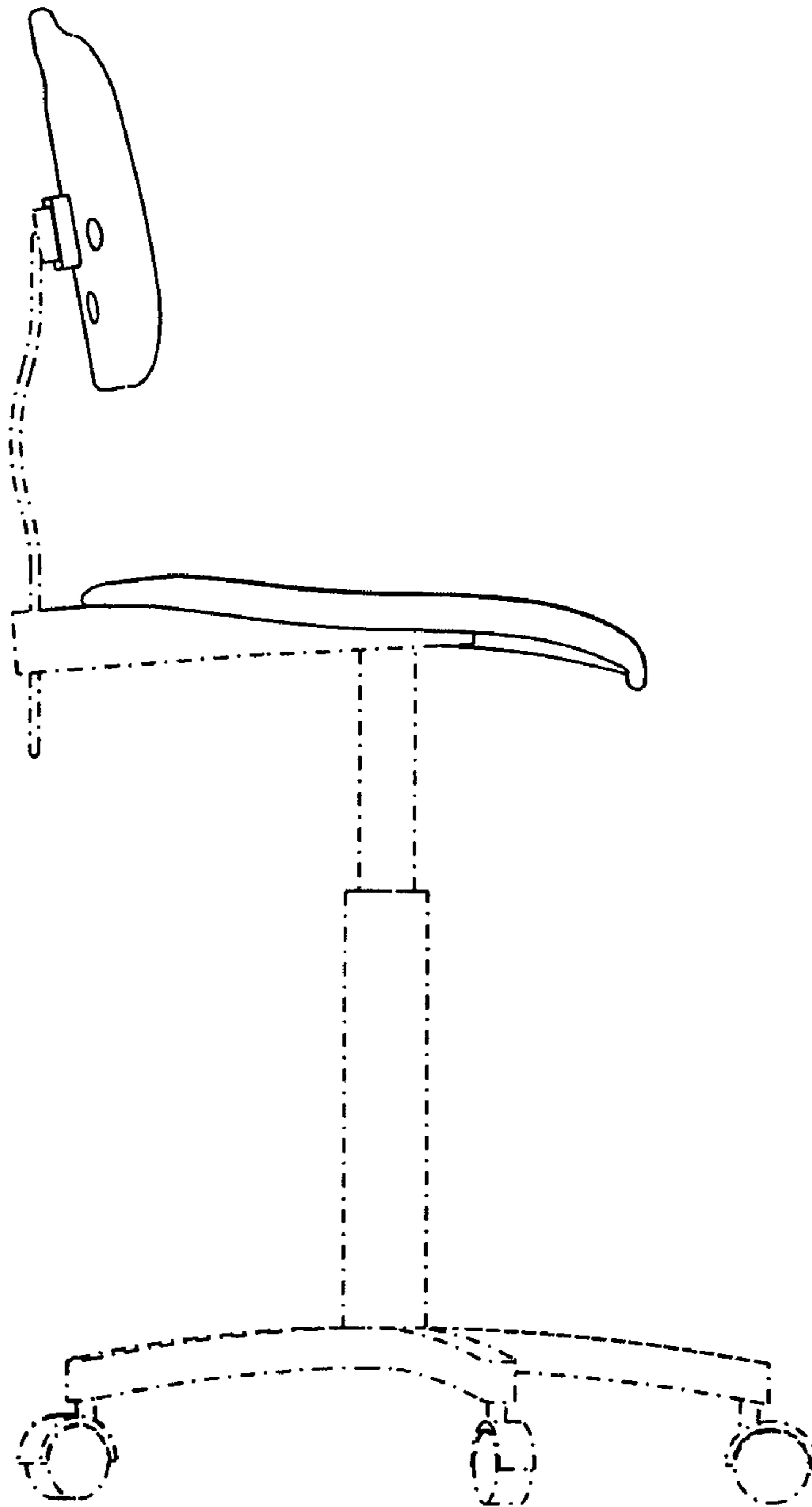


FIG. 4

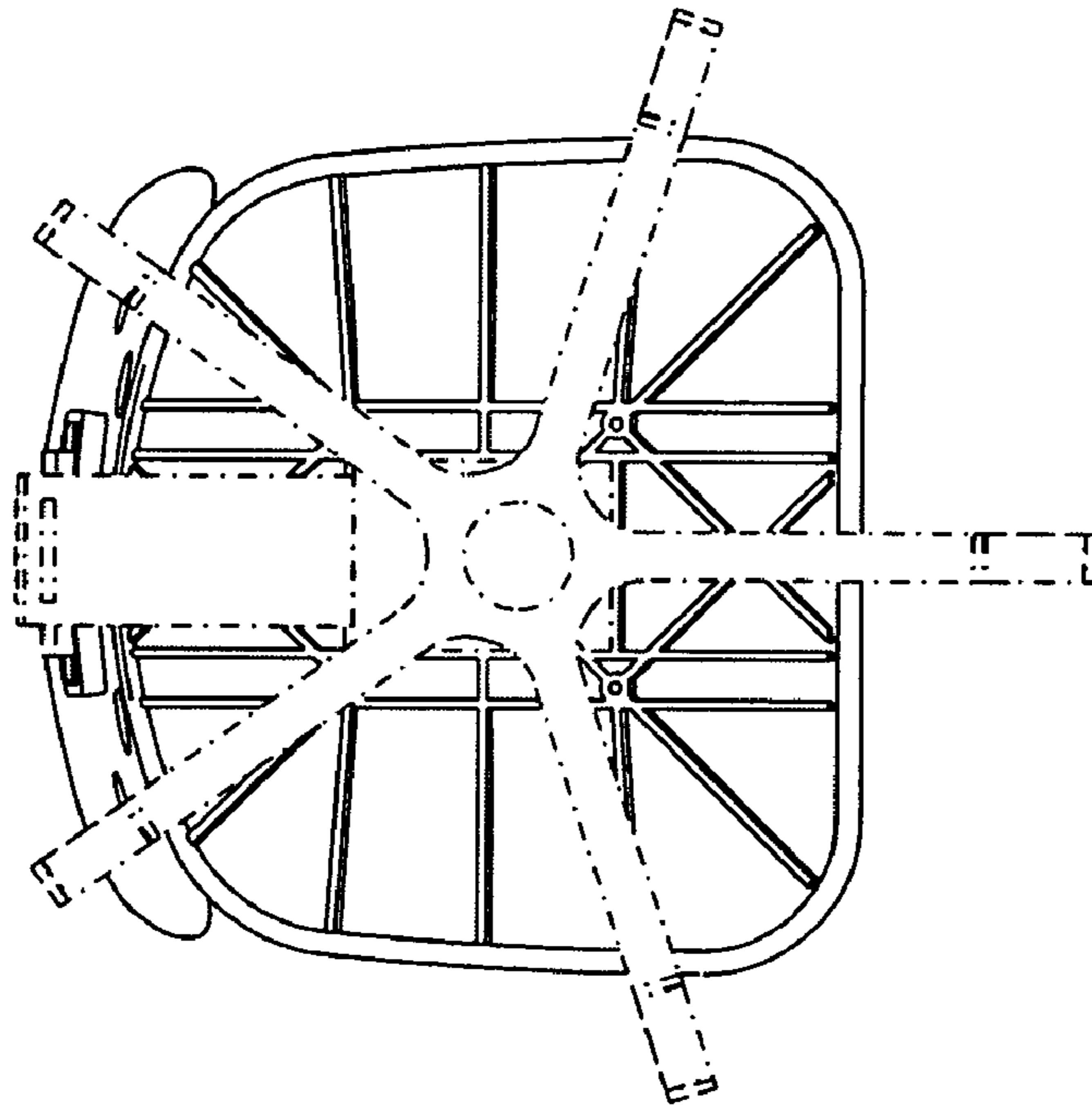


FIG. 5

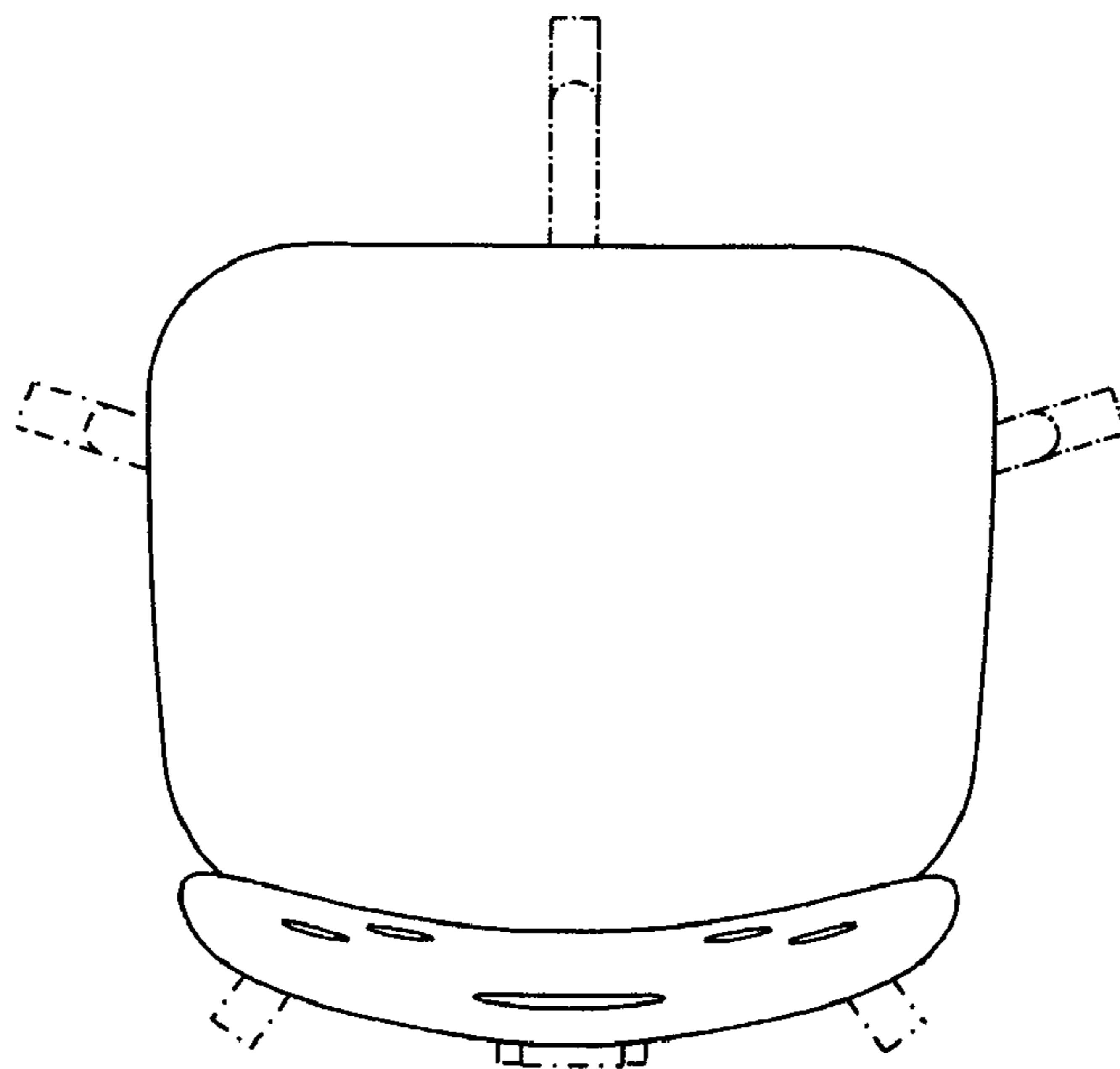


FIG. 6