



US00D583594S

(12) **United States Design Patent**
Tamara

(10) **Patent No.:** **US D583,594 S**

(45) **Date of Patent:** **** Dec. 30, 2008**

(54) **CHAIR BASE**

(75) Inventor: **George Tamara**, Glendale, CA (US)

(73) Assignee: **True Seating Concepts, LLC** (MU)

(**) Term: **14 Years**

(21) Appl. No.: **29/308,148**

(22) Filed: **Jun. 2, 2008**

(51) **LOC (8) Cl.** **06-01**

(52) **U.S. Cl.** **D6/498**

(58) **Field of Classification Search** D6/334-336,
D6/360, 364, 365, 366, 367, 498, 500-502;
248/188.7; 297/300.4, 344.18, 358, 411.2,
297/411.27, 463.1

See application file for complete search history.

(56) **References Cited**

U.S. PATENT DOCUMENTS

D256,967 S *	9/1980	Hirota	D6/360
D369,918 S *	5/1996	Beaulieu	D6/366
D405,618 S *	2/1999	Reutepohler et al.	D6/366
D405,968 S *	2/1999	Beaulieu	D6/366
D408,163 S *	4/1999	Olson	D6/366
D455,019 S *	4/2002	Tseng	D6/366

D494,387 S *	8/2004	McDiarmid	D6/498
D494,786 S *	8/2004	Cheng	D6/498
D518,318 S *	4/2006	Koepke	D6/498
D558,994 S *	1/2008	Machael et al.	D6/366
D562,037 S *	2/2008	Kaloustian	D6/498
2008/0030057 A1 *	2/2008	Tai	297/300.4

* cited by examiner

Primary Examiner—Mimosa De

(74) *Attorney, Agent, or Firm*—Morland C. Fischer

(57) **CLAIM**

The ornamental design for a chair base, as shown and described.

DESCRIPTION

FIG. 1 is a perspective view showing the top, opposite sides and front of a chair base which forms my new design;

FIG. 2 is a top plan view thereof;

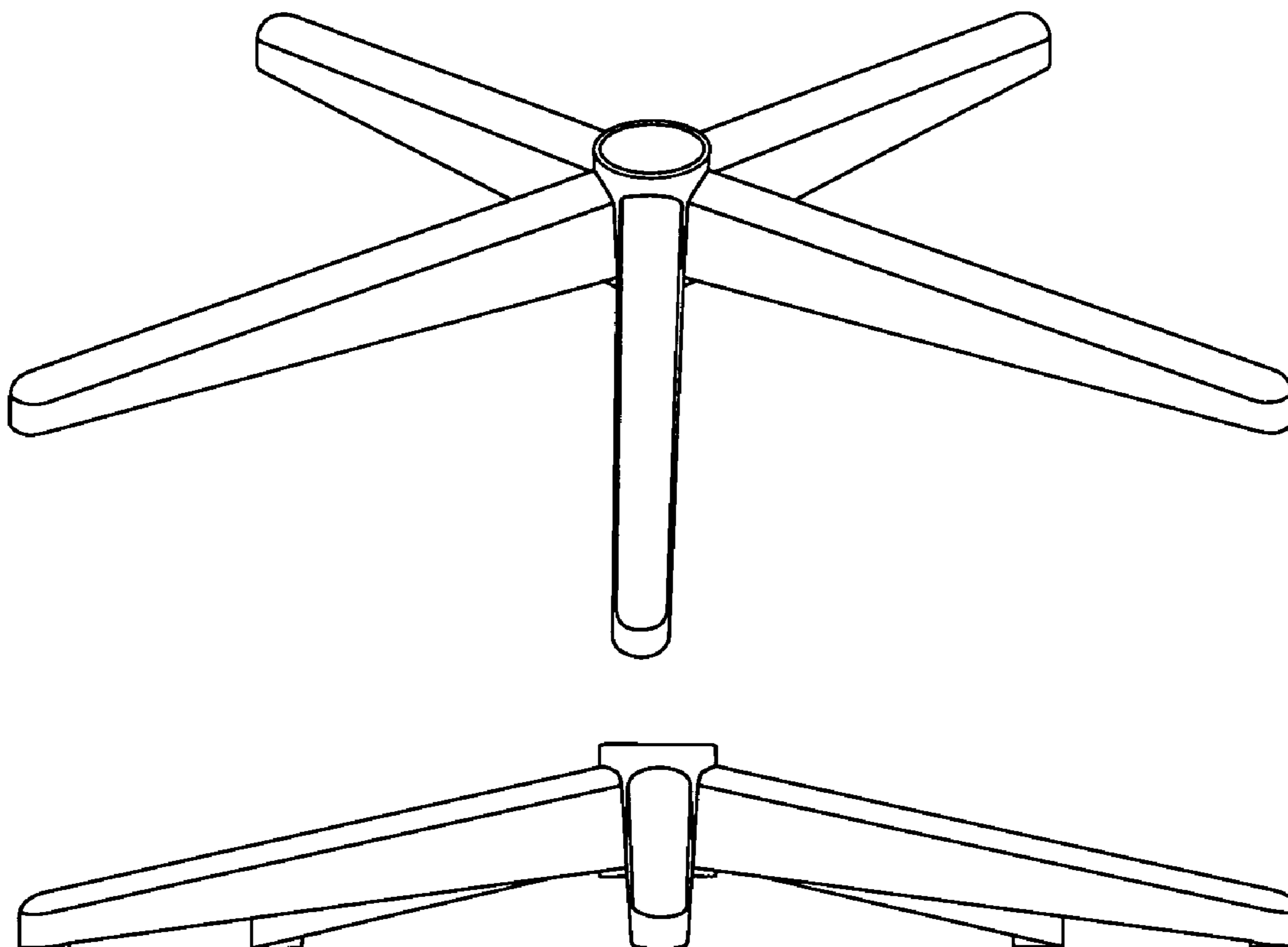
FIG. 3 is a front elevational view thereof;

FIG. 4 is a rear elevational view thereof;

FIG. 5 is a right side elevational view thereof; and,

FIG. 6 is a left side elevational view thereof.

1 Claim, 4 Drawing Sheets



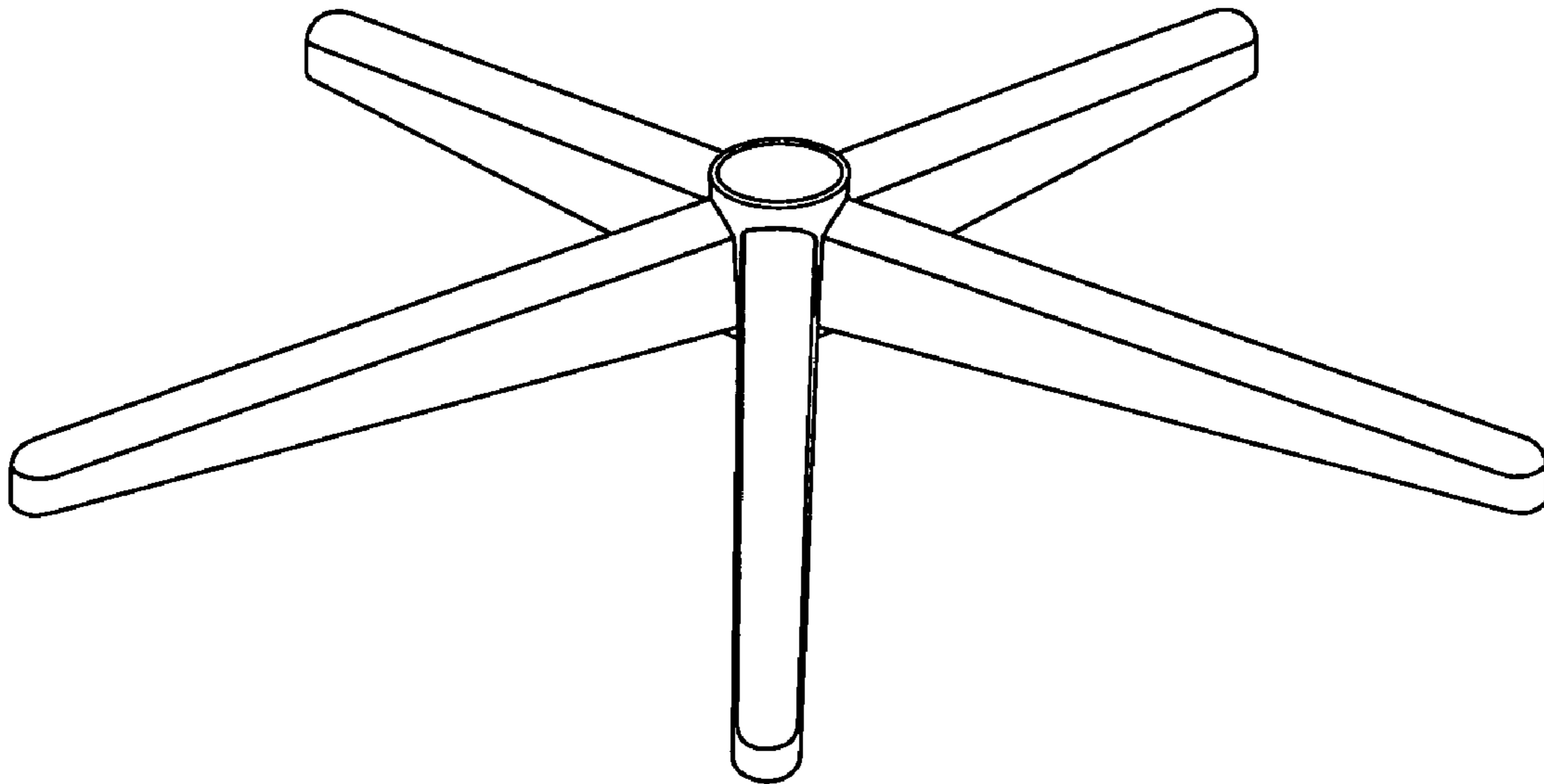


FIG. 1

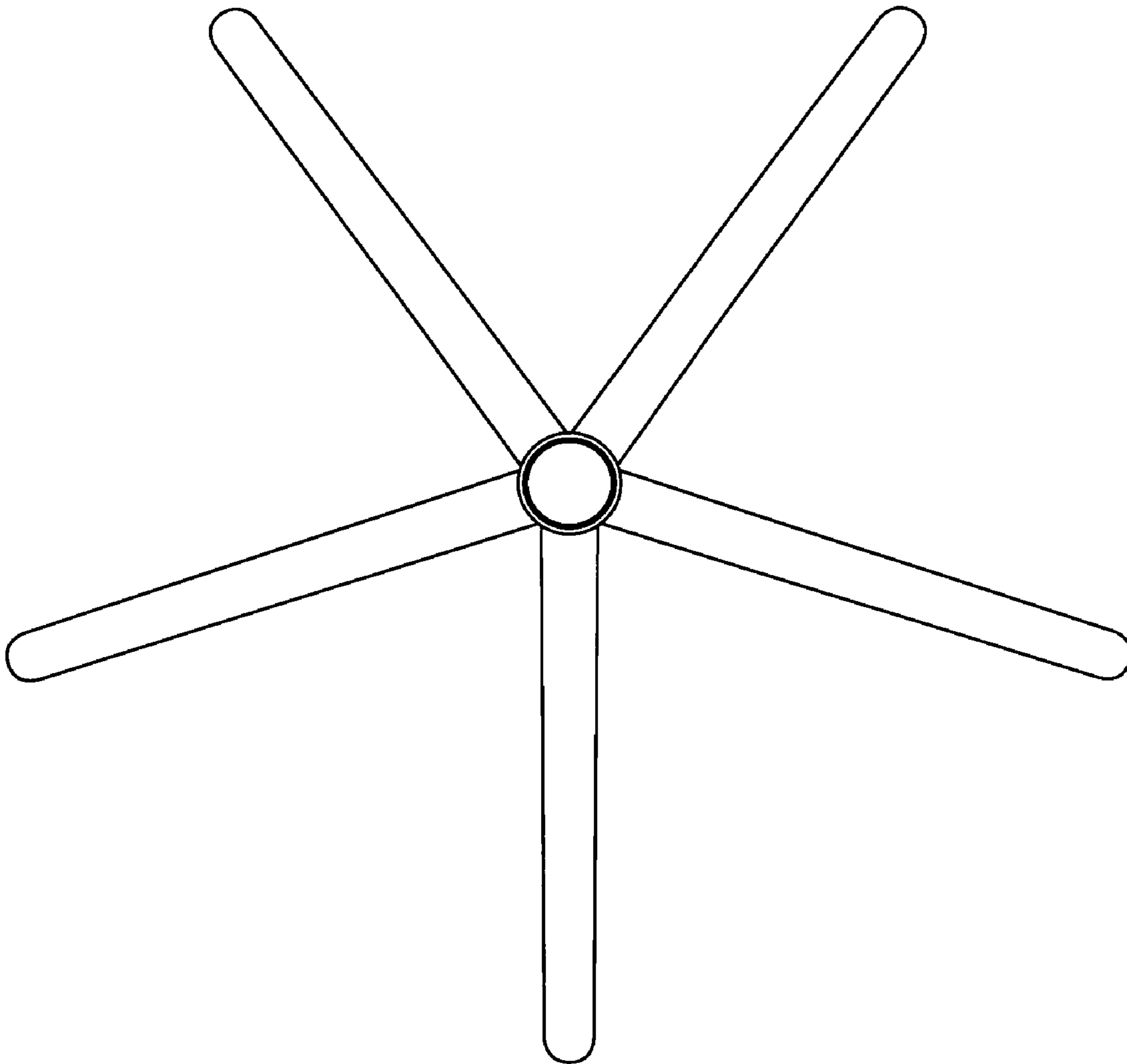


FIG. 2

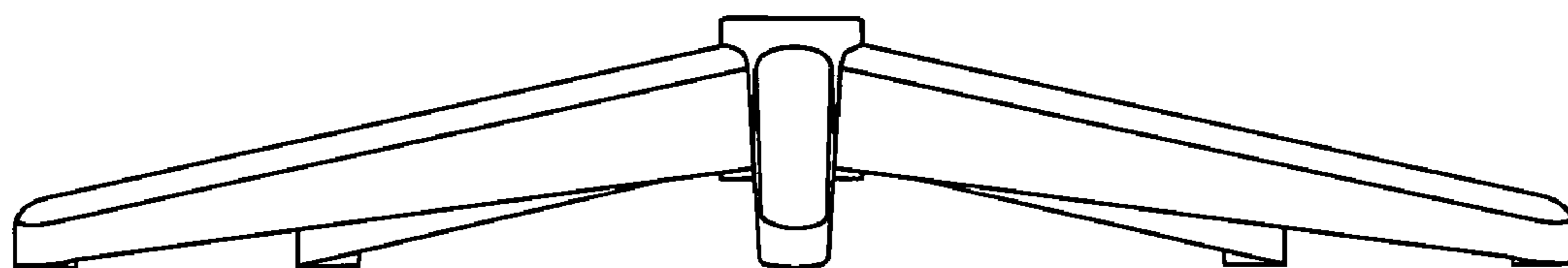


FIG. 3

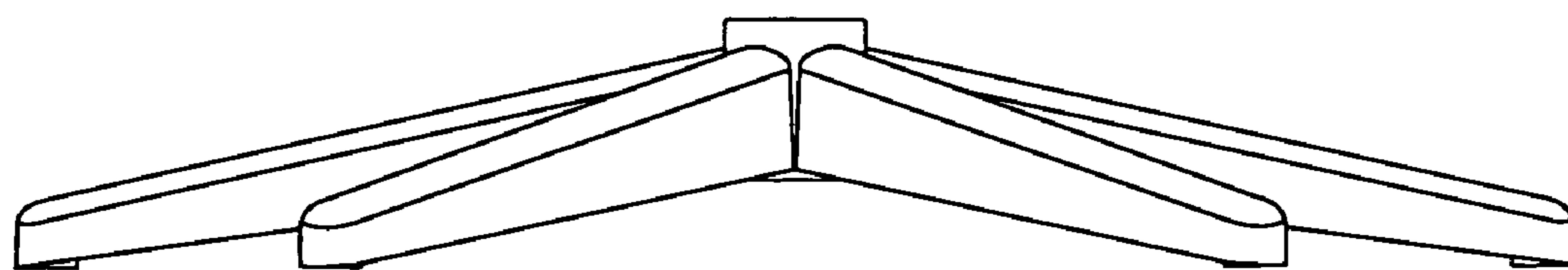


FIG. 4

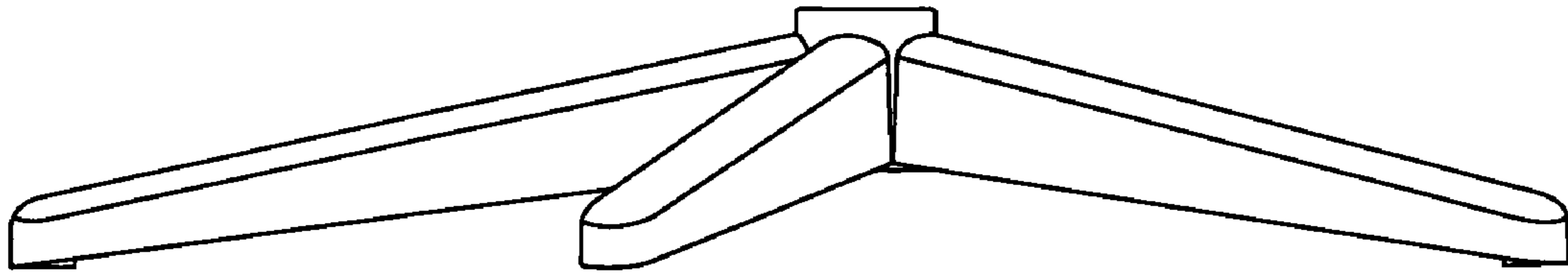


FIG. 5

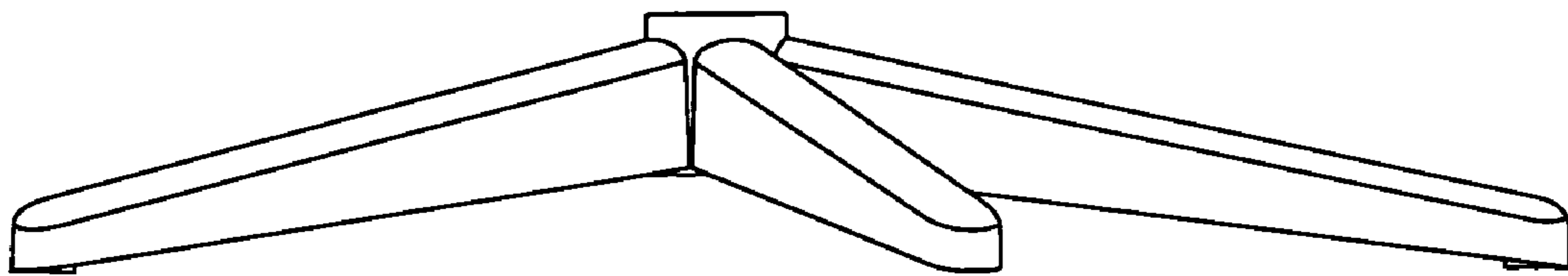


FIG. 6