



US00D583592S

(12) **United States Design Patent**
Johnson

(10) **Patent No.:** **US D583,592 S**

(45) **Date of Patent:** **** Dec. 30, 2008**

(54) **CHAIR BASE**

(75) Inventor: **Scott Johnson**, West Hills, CA (US)

(73) Assignee: **Ture Seating Concepts, LLC** (MU)

(**) Term: **14 Years**

(21) Appl. No.: **29/294,617**

(22) Filed: **Jan. 22, 2008**

(51) **LOC (8) Cl.** **06-01**

(52) **U.S. Cl.** **D6/498**

(58) **Field of Classification Search** D6/334-336,
D6/364, 365, 366, 367, 498, 500-502; 248/188.7;
297/301.3, 411.2, 411.27, 463.1

See application file for complete search history.

(56) **References Cited**

U.S. PATENT DOCUMENTS

D135,474 S *	4/1943	Wagner	D6/366
D267,384 S *	12/1982	Faull	D6/498
D324,616 S *	3/1992	Grahl et al.	D6/498
D412,416 S *	8/1999	Ritch et al.	D6/498
D413,214 S *	8/1999	Chu	D6/498
D544,731 S *	6/2007	Su	D6/498

7,325,873 B2 * 2/2008 Stewart et al. 297/301.3

* cited by examiner

Primary Examiner—Mimosa De

(74) *Attorney, Agent, or Firm*—Morland C. Fischer

(57) **CLAIM**

The ornamental design for a chair base, as shown and described.

DESCRIPTION

FIG. 1 is a perspective view showing the top, front and left side of a chair base which forms my new design, the broken lines showing other parts of a chair being for illustrative purposes only and forming no part of my design;

FIG. 2 is an enlarged top plan view thereof;

FIG. 3 is an enlarged front elevational view thereof;

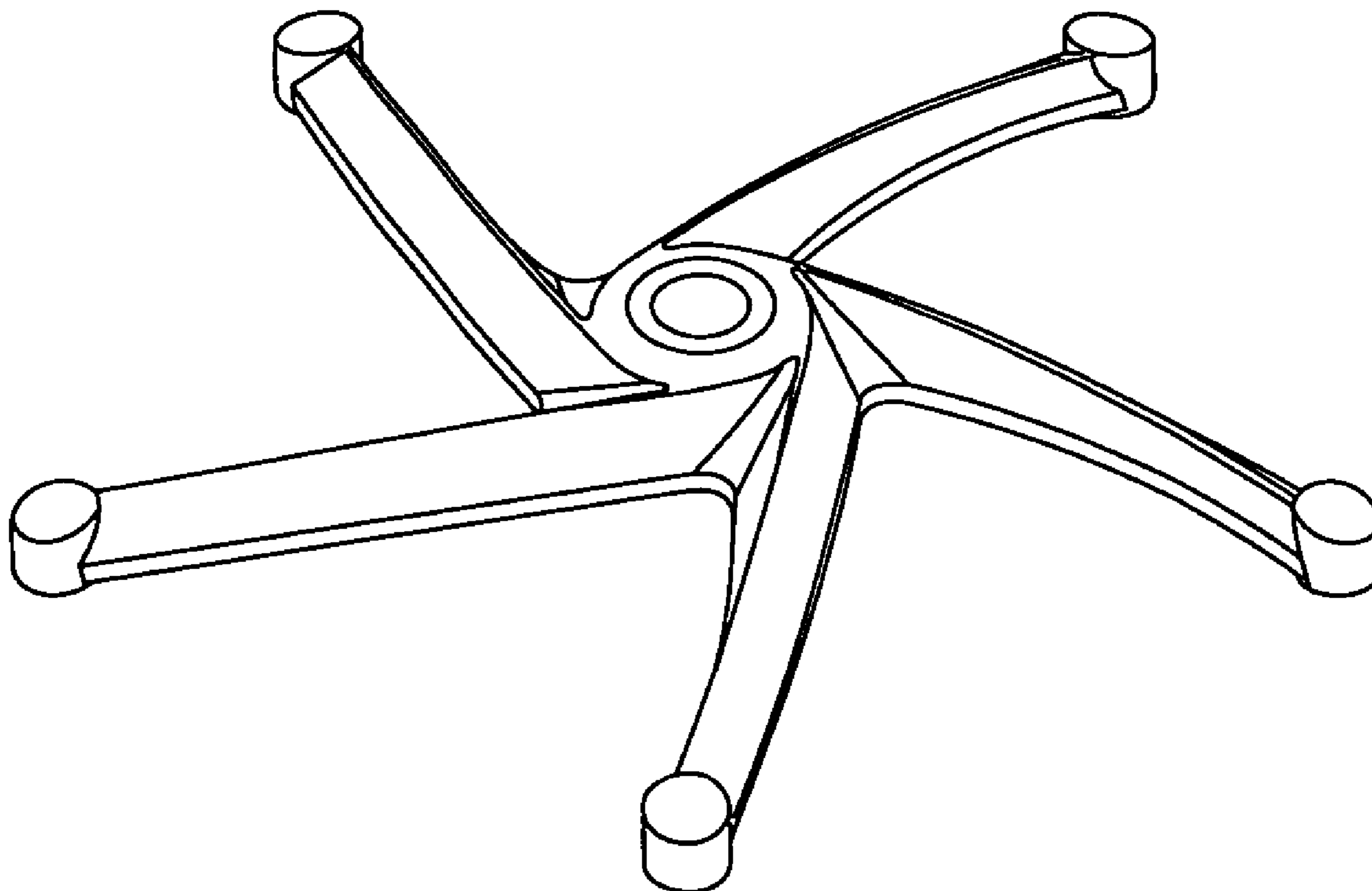
FIG. 4 is an enlarged rear elevational view thereof;

FIG. 5 is an enlarged left side elevational view thereof;

FIG. 6 is an enlarged right side elevational view thereof; and,

FIG. 7 is an enlarged perspective view thereof showing the top, front and left side thereof.

1 Claim, 3 Drawing Sheets



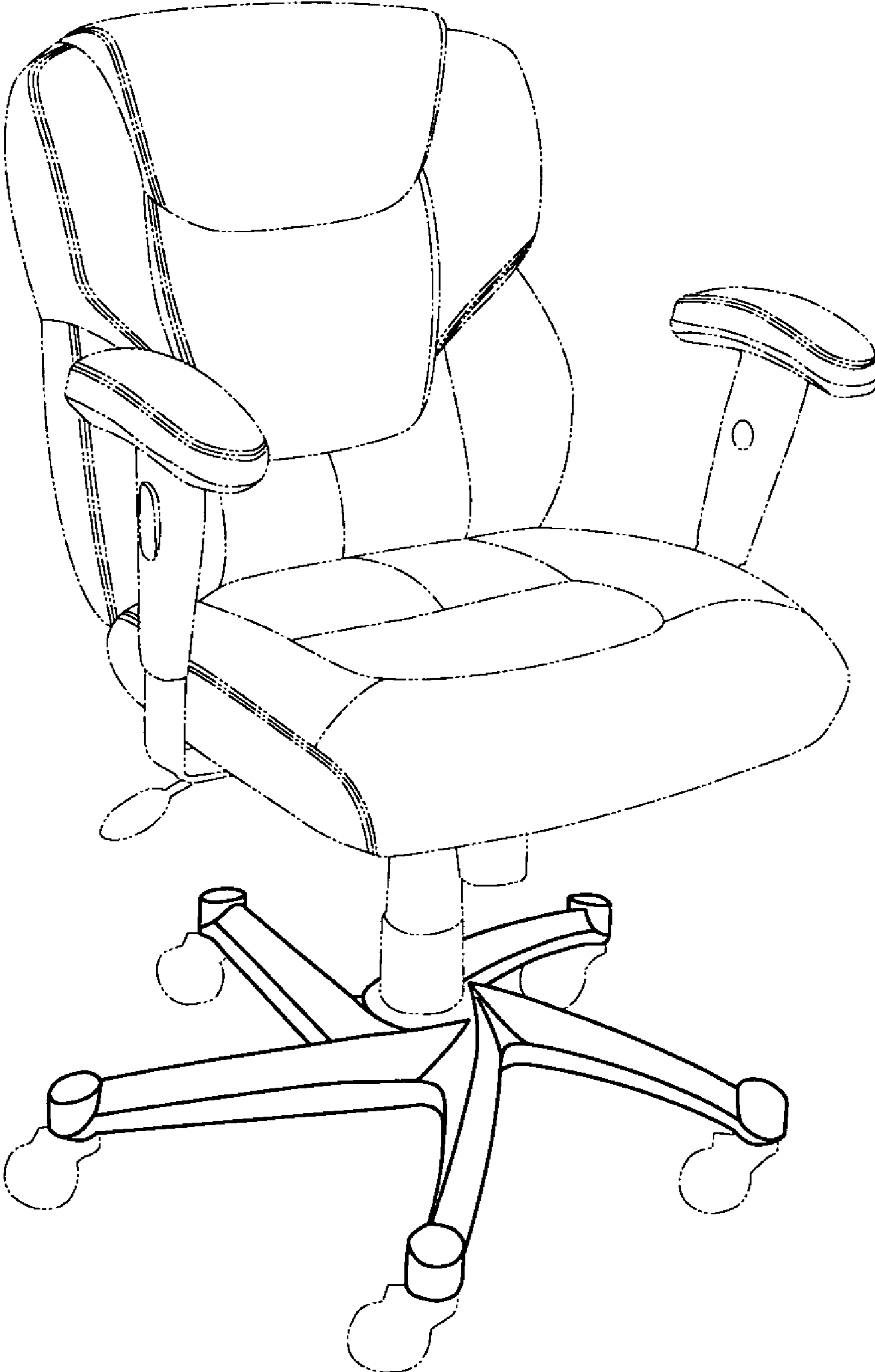


FIG. 1

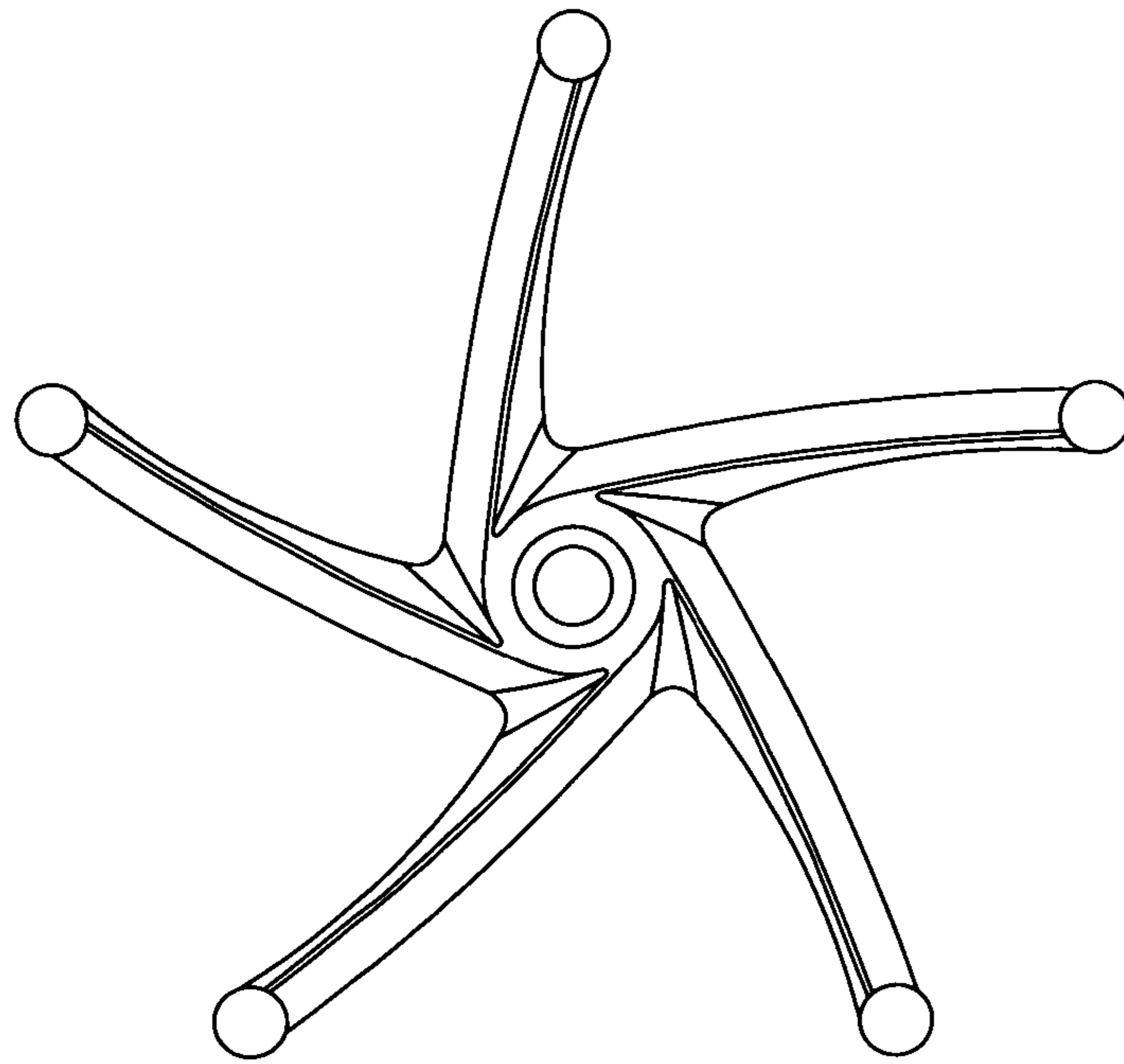


FIG. 2

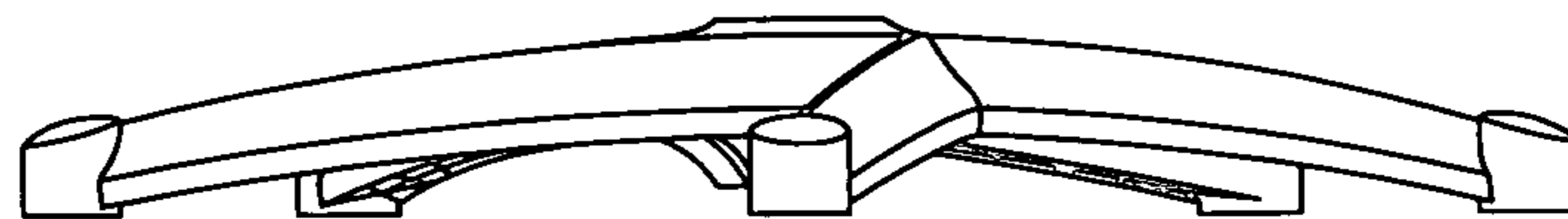


FIG. 3

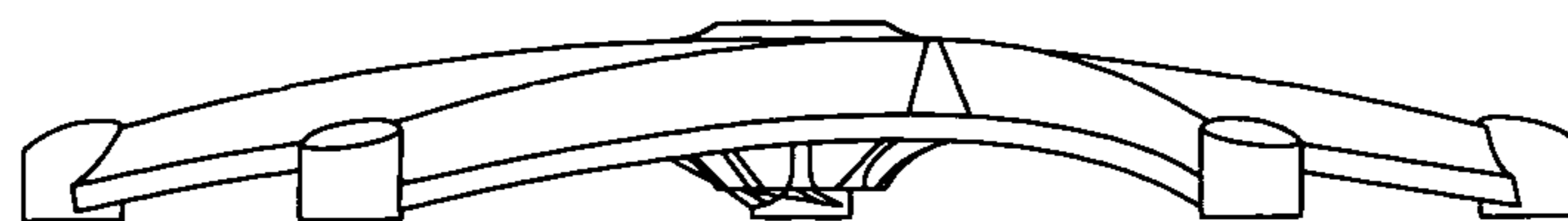


FIG. 4

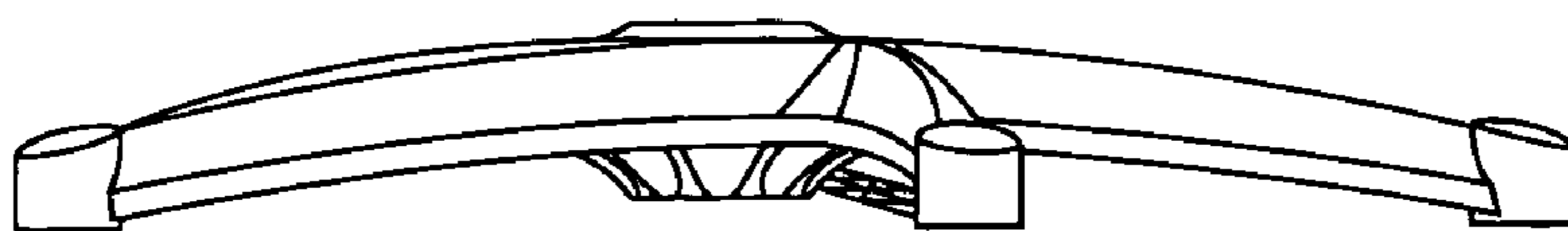


FIG. 5

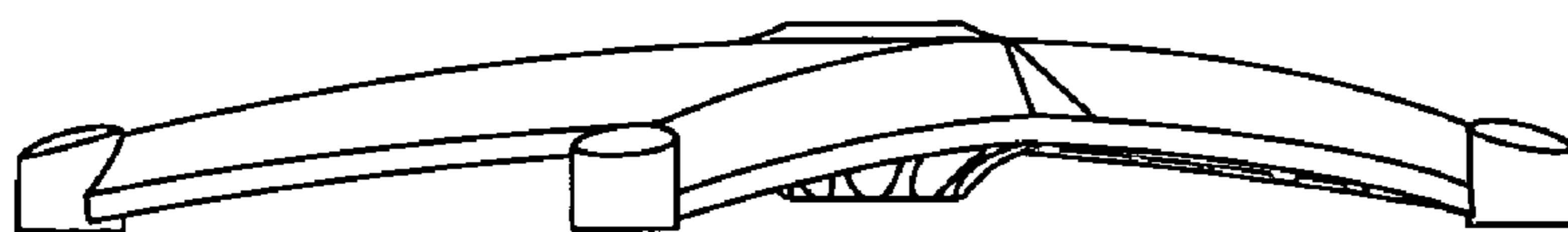


FIG. 6

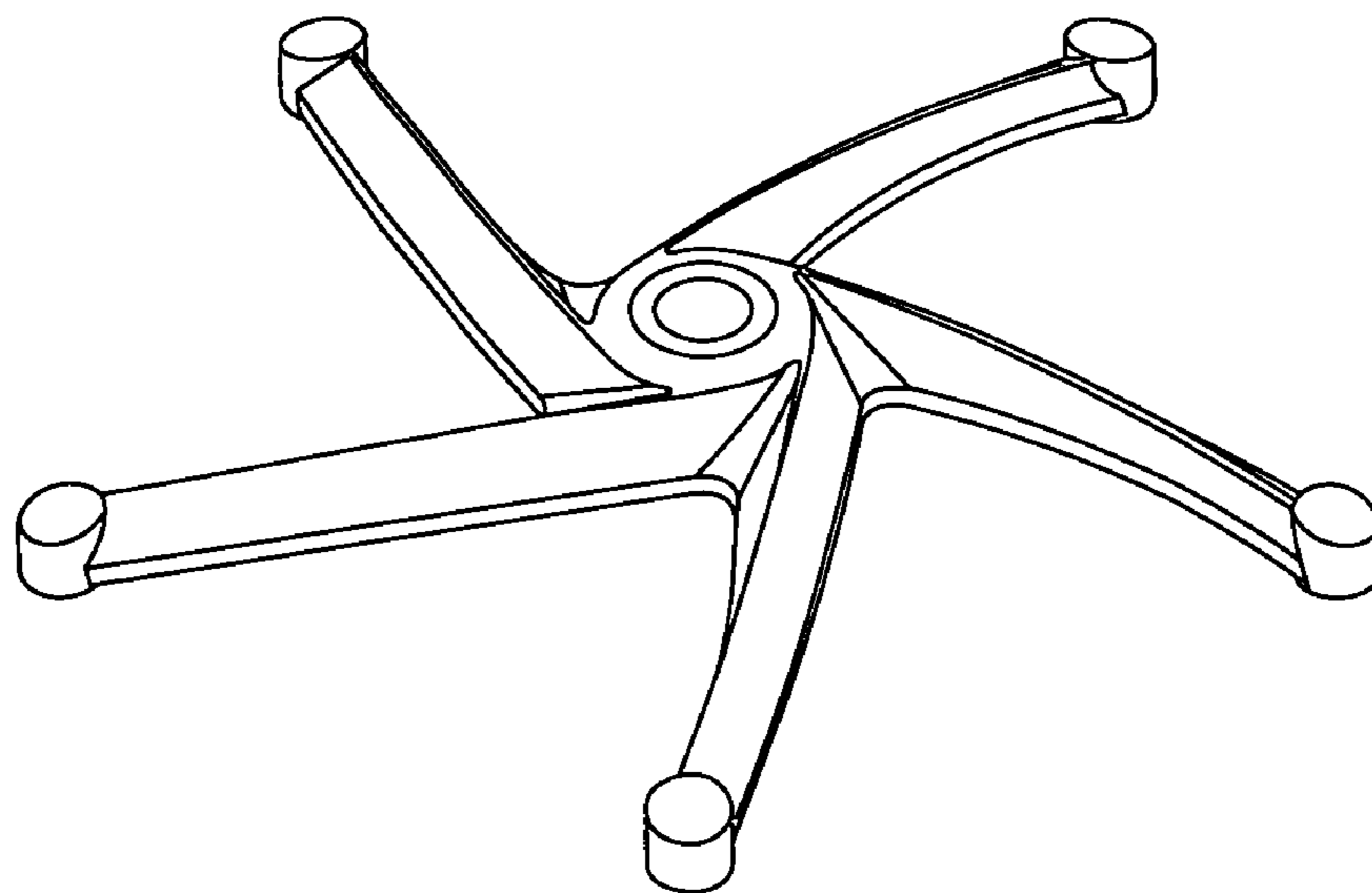


FIG. 7