



US00D583587S

(12) **United States Design Patent**  
**Lai**

(10) **Patent No.:** **US D583,587 S**

(45) **Date of Patent:** **\*\* Dec. 30, 2008**

(54) **COMPUTER DESK**

(75) Inventor: **Kuo-Ping Lai**, Chunghua (TW)

(73) Assignee: **Chyi Cheng Co., Ltd.**, Changhua (TW)

(\*\*) Term: **14 Years**

(21) Appl. No.: **29/303,989**

(22) Filed: **Feb. 21, 2008**

(51) **LOC (8) Cl.** ..... **06-03**

(52) **U.S. Cl.** ..... **D6/425**

(58) **Field of Classification Search** ..... D6/480-489,  
D6/495-499, 429-431, 422, 425-428; 108/150,  
108/153.1, 156, 157.1, 161, 50.01, 50.02;  
312/194-196, 258

See application file for complete search history.

(56) **References Cited**

**U.S. PATENT DOCUMENTS**

D477,931 S \* 8/2003 Chang ..... D6/422

D501,339 S \* 2/2005 Lai ..... D6/480

D569,126 S \* 5/2008 Sexton ..... D6/425

D575,550 S \* 8/2008 Chang ..... D6/425

\* cited by examiner

*Primary Examiner*—Janice E Seeger

(57) **CLAIM**

The ornamental design for a computer desk, as shown.

**DESCRIPTION**

FIG. 1 is a perspective view of a computer desk showing my new design;

FIG. 2 is a front elevational view thereof;

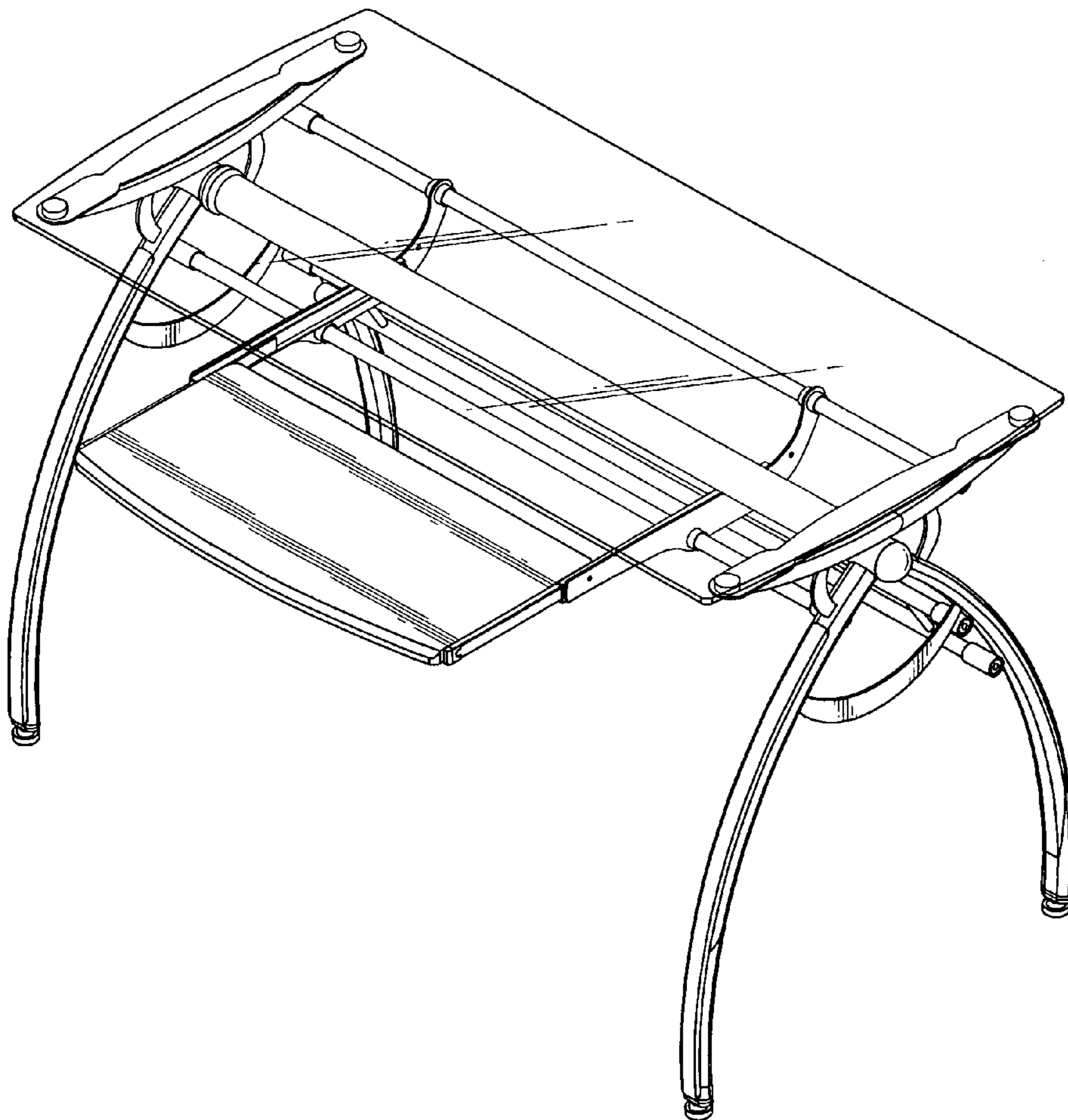
FIG. 3 is a rear elevational view thereof;

FIG. 4 is a left side view thereof;

FIG. 5 is a right side view thereof; and,

FIG. 6 is a top plan view thereof.

**1 Claim, 6 Drawing Sheets**





F I G . 1

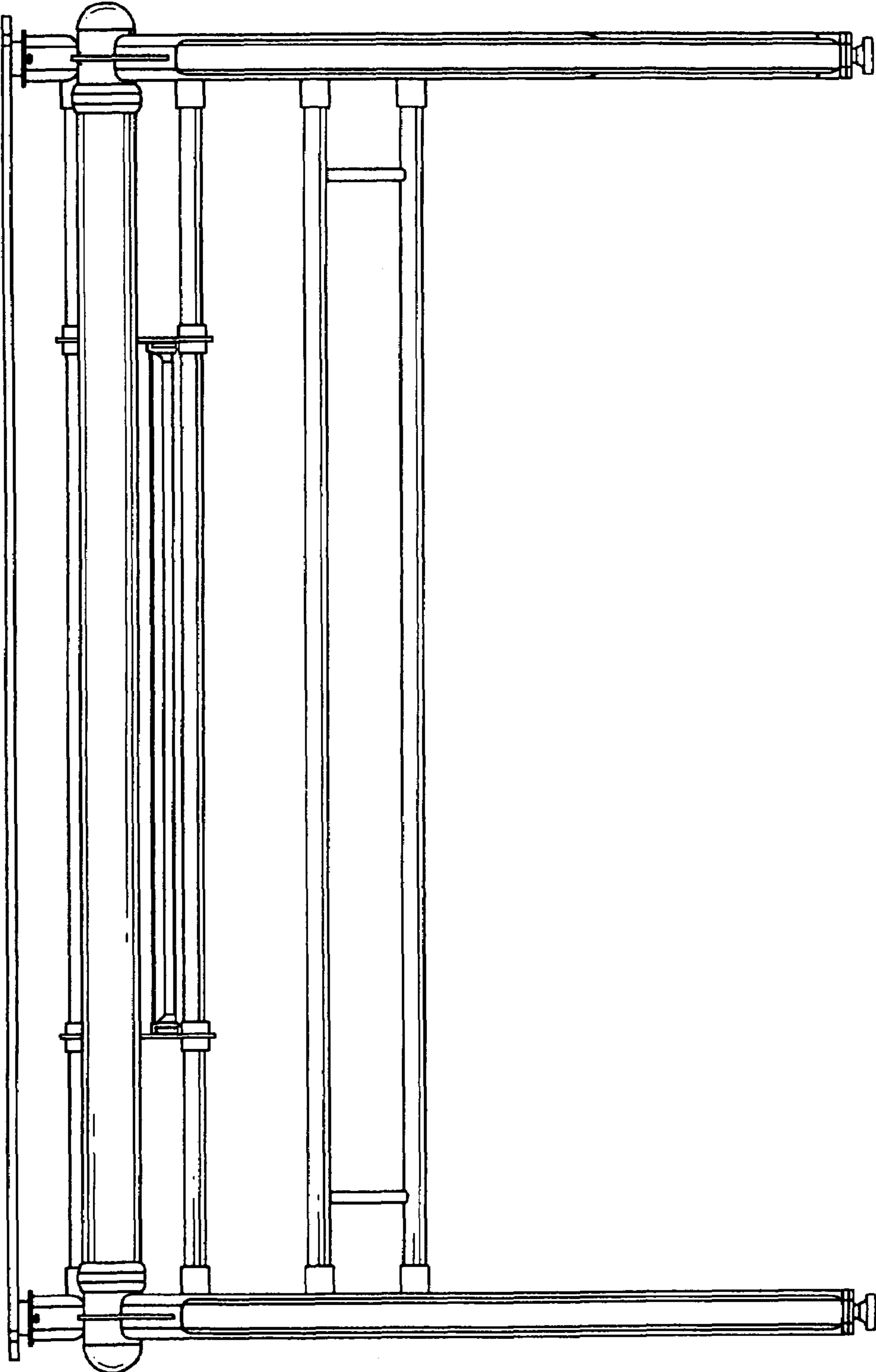


FIG. 2

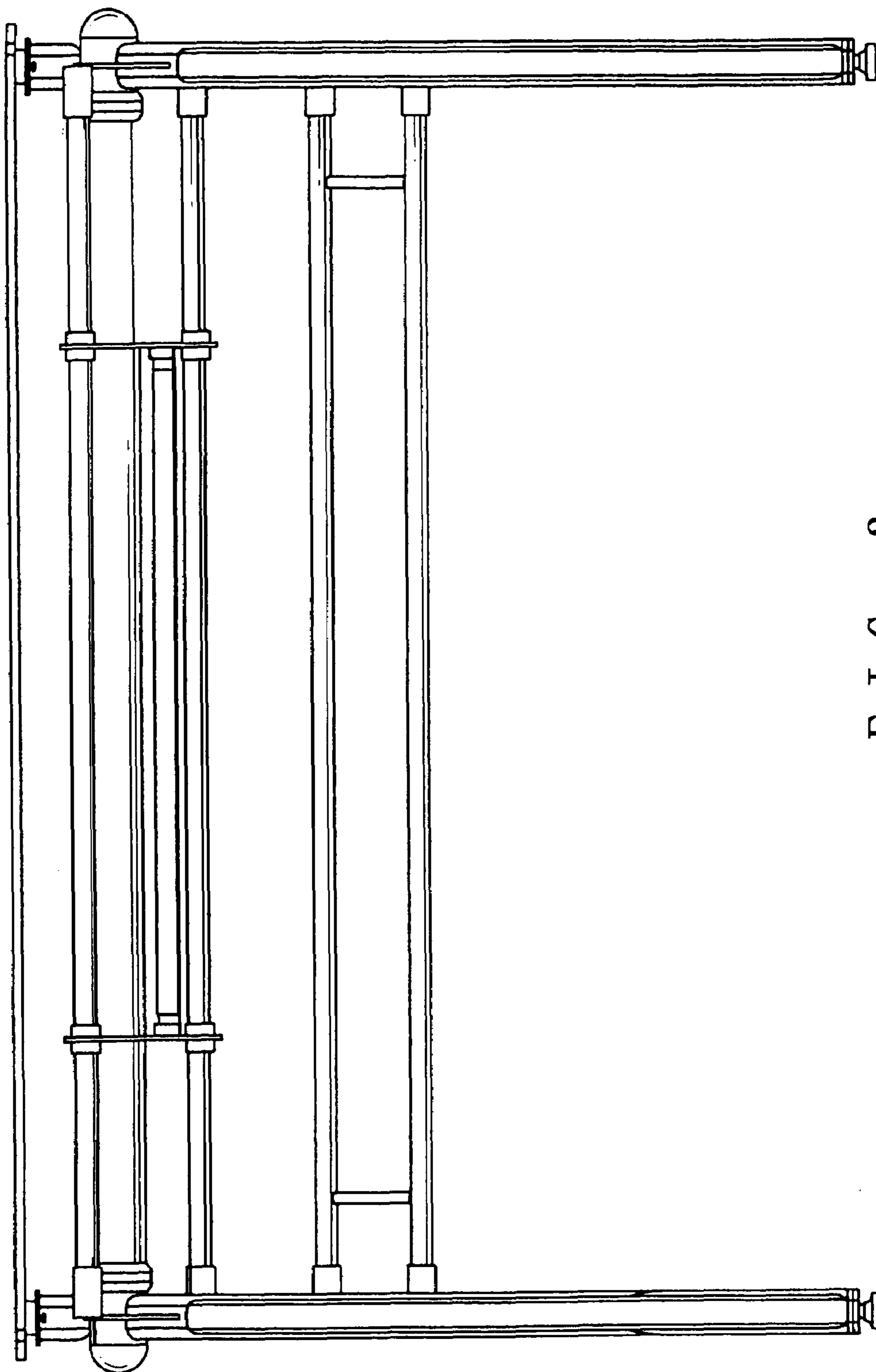


FIG. 3

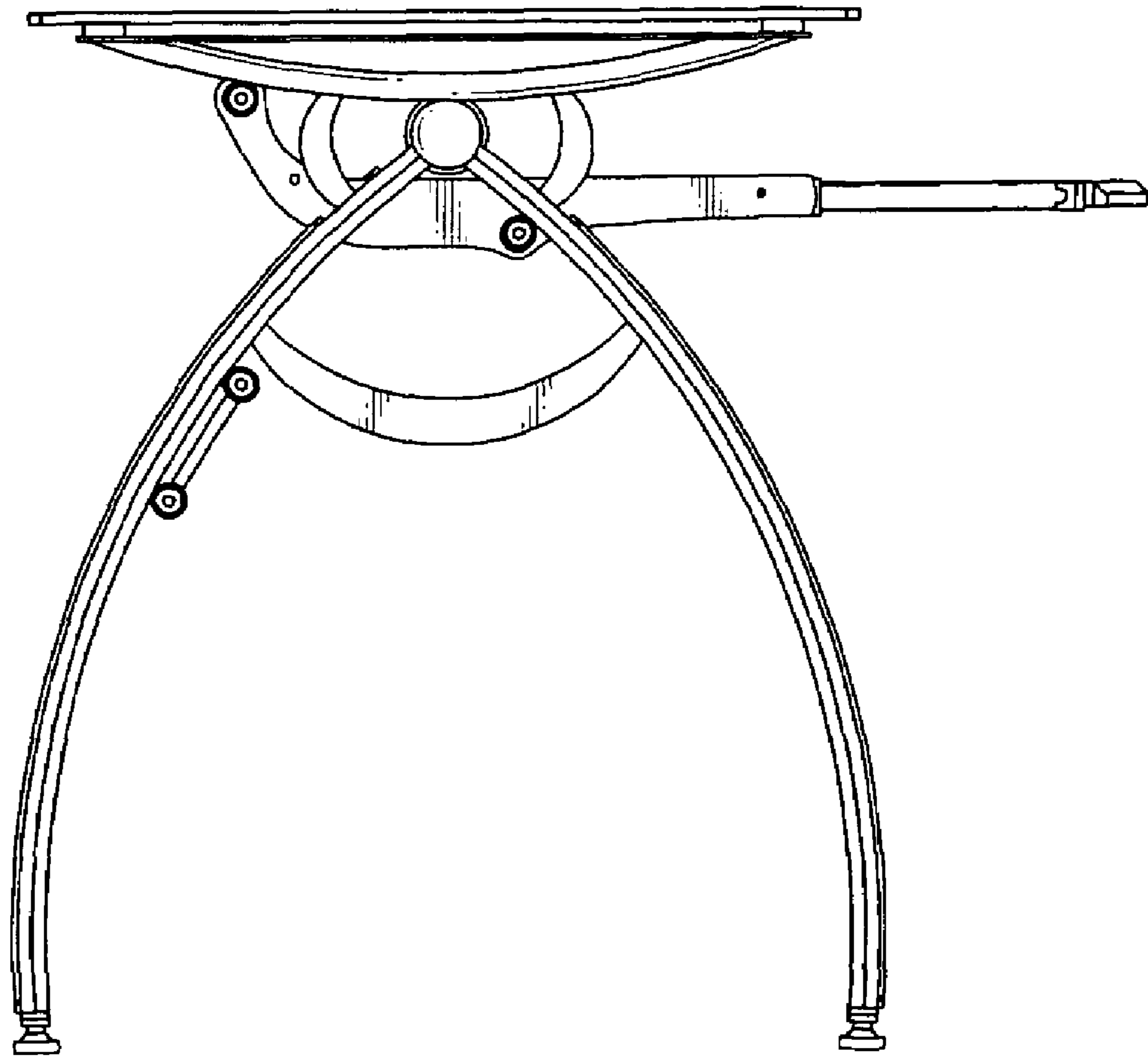


FIG. 4

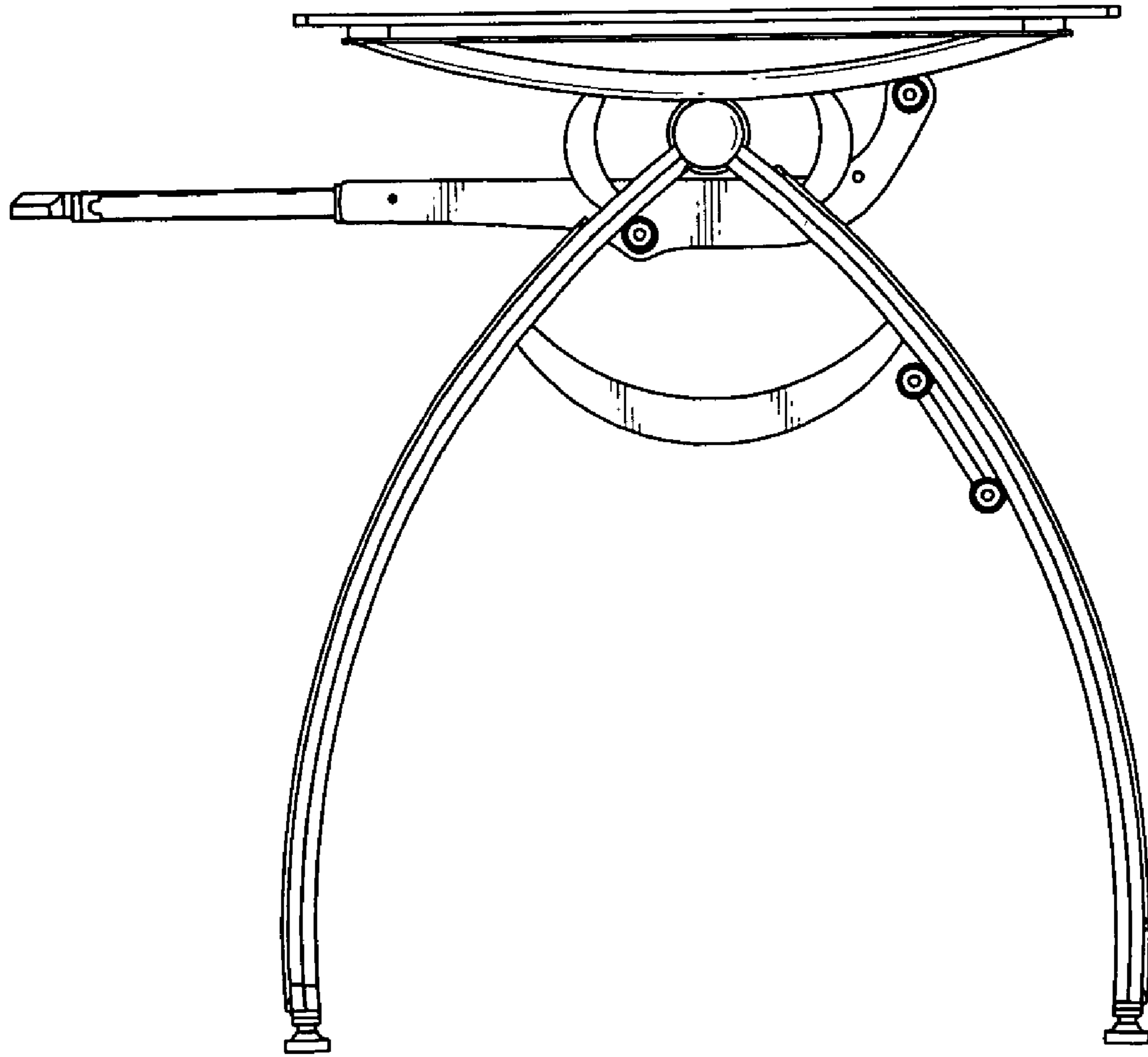
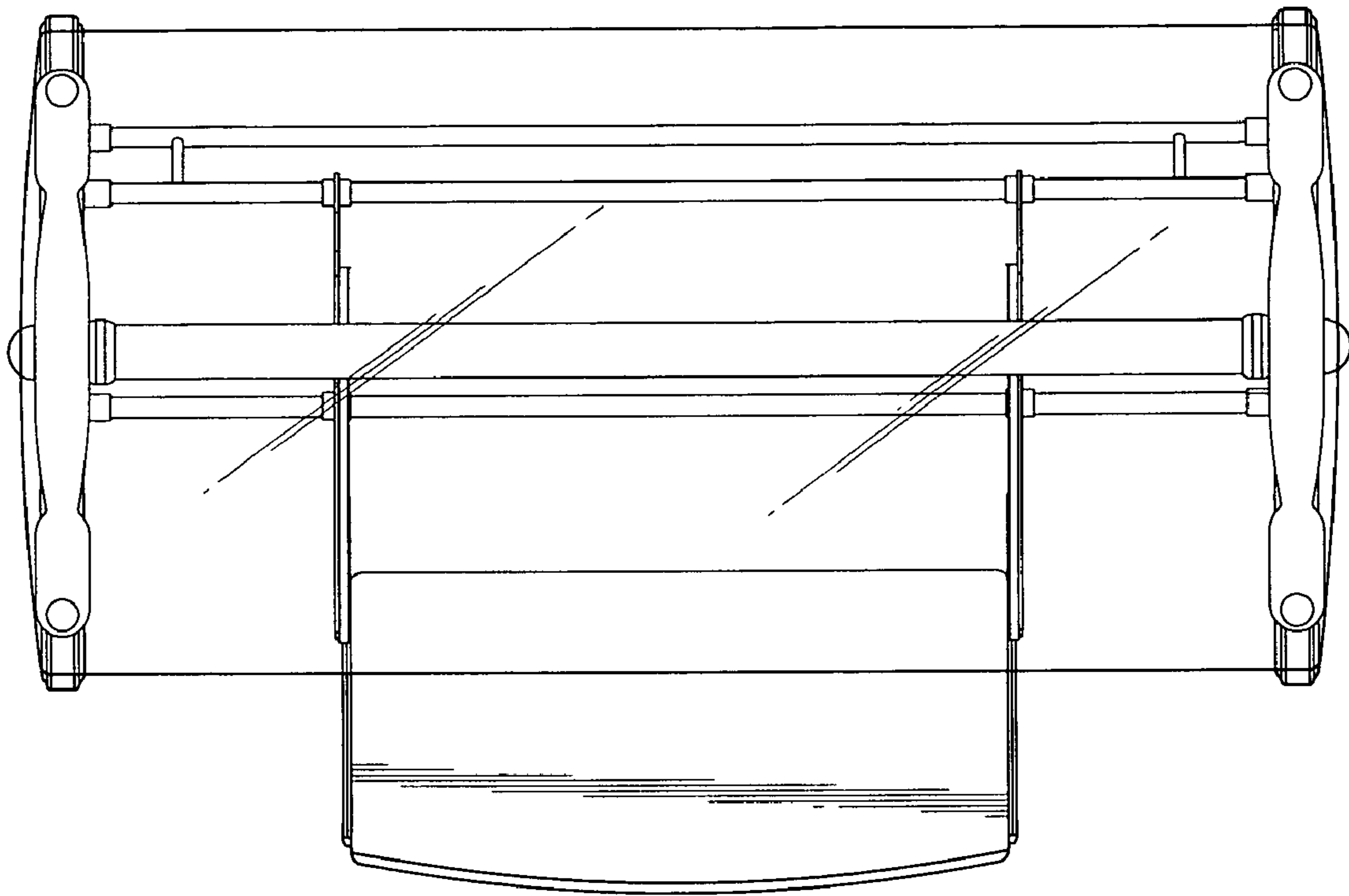


FIG. 5



F I G . 6