



US00D583585S

(12) **United States Design Patent**
Weiss

(10) **Patent No.:** **US D583,585 S**

(45) **Date of Patent:** **** Dec. 30, 2008**

(54) **SOFA**

(75) **Inventor:** **Per Weiss, Randers (DK)**

(73) **Assignee:** **Innovation U.S.A., Inc., Hanover, MD (US)**

(**) **Term:** **14 Years**

(21) **Appl. No.:** **29/283,569**

(22) **Filed:** **Aug. 17, 2007**

(51) **LOC (8) Cl.** **06-01**

(52) **U.S. Cl.** **D6/381**

(58) **Field of Classification Search** D6/334-338,
D6/349, 355, 361, 368-370, 376, 379-381,
D6/492, 500-502; 297/16.1, 42, 94, 135,
297/175, 232, 233, 350, 351, 445.1, 448.1,
297/448.2, 451.9; 5/12.1, 12.2

See application file for complete search history.

(56) **References Cited**

U.S. PATENT DOCUMENTS

| | | | | | |
|-----------|------|---------|--------------|-------|------------|
| 2,217,426 | A * | 10/1940 | Zareko | | 297/117 |
| D263,770 | S * | 4/1982 | Melchior | | D6/334 |
| 4,621,381 | A * | 11/1986 | Schramek | | 5/12.2 |
| 5,329,654 | A * | 7/1994 | Sherman | | 5/14 |
| D425,711 | S * | 5/2000 | Desombre | | D6/334 |
| D429,082 | S * | 8/2000 | Desombre | | D6/381 |
| 6,161,231 | A * | 12/2000 | Kraft et al. | | 5/18.1 |
| D477,152 | S * | 7/2003 | Levy | | D6/381 |
| D484,327 | S * | 12/2003 | Ricci | | D6/381 |
| D493,039 | S * | 7/2004 | Ricci | | D6/381 |
| D495,514 | S * | 9/2004 | Ricci | | D6/381 |
| D495,892 | S * | 9/2004 | Ricci | | D6/381 |
| D495,893 | S * | 9/2004 | Ricci | | D6/381 |
| 6,824,220 | B1 * | 11/2004 | Davison | | 297/440.14 |

| | | | | | |
|----------|-----|---------|-------------|-------|--------|
| D499,261 | S * | 12/2004 | Ricci | | D6/381 |
| D515,333 | S * | 2/2006 | Natuzzi | | D6/381 |
| D515,334 | S * | 2/2006 | Natuzzi | | D6/381 |
| D527,541 | S * | 9/2006 | Natuzzi | | D6/381 |
| D541,074 | S * | 4/2007 | Natuzzi | | D6/381 |
| D546,575 | S * | 7/2007 | Nastri | | D6/381 |
| D569,111 | S * | 5/2008 | Swanson | | D6/334 |
| D569,123 | S * | 5/2008 | Roos et al. | | D6/381 |

* cited by examiner

Primary Examiner—Sandra Snapp

(74) *Attorney, Agent, or Firm*—Miles & Stockbridge PC;
James T. Carmichael

(57) **CLAIM**

The ornamental design for a sofa, as shown and disclosed.

DESCRIPTION

FIG. 1 is a perspective view of the sofa showing the new design;

FIG. 2 is a front view thereof;

FIG. 3 is a left side view thereof;

FIG. 4 is a right side view thereof;

FIG. 5 is a top plan view thereof;

FIG. 6 is a bottom plan view thereof;

FIG. 7 is a back view thereof;

FIG. 8 is a perspective view thereof in a partially reclined position;

FIG. 9 is a perspective view thereof in a fully reclined position; and,

FIG. 10 is a perspective view thereof with part of the back in a partially reclined position.

1 Claim, 2 Drawing Sheets

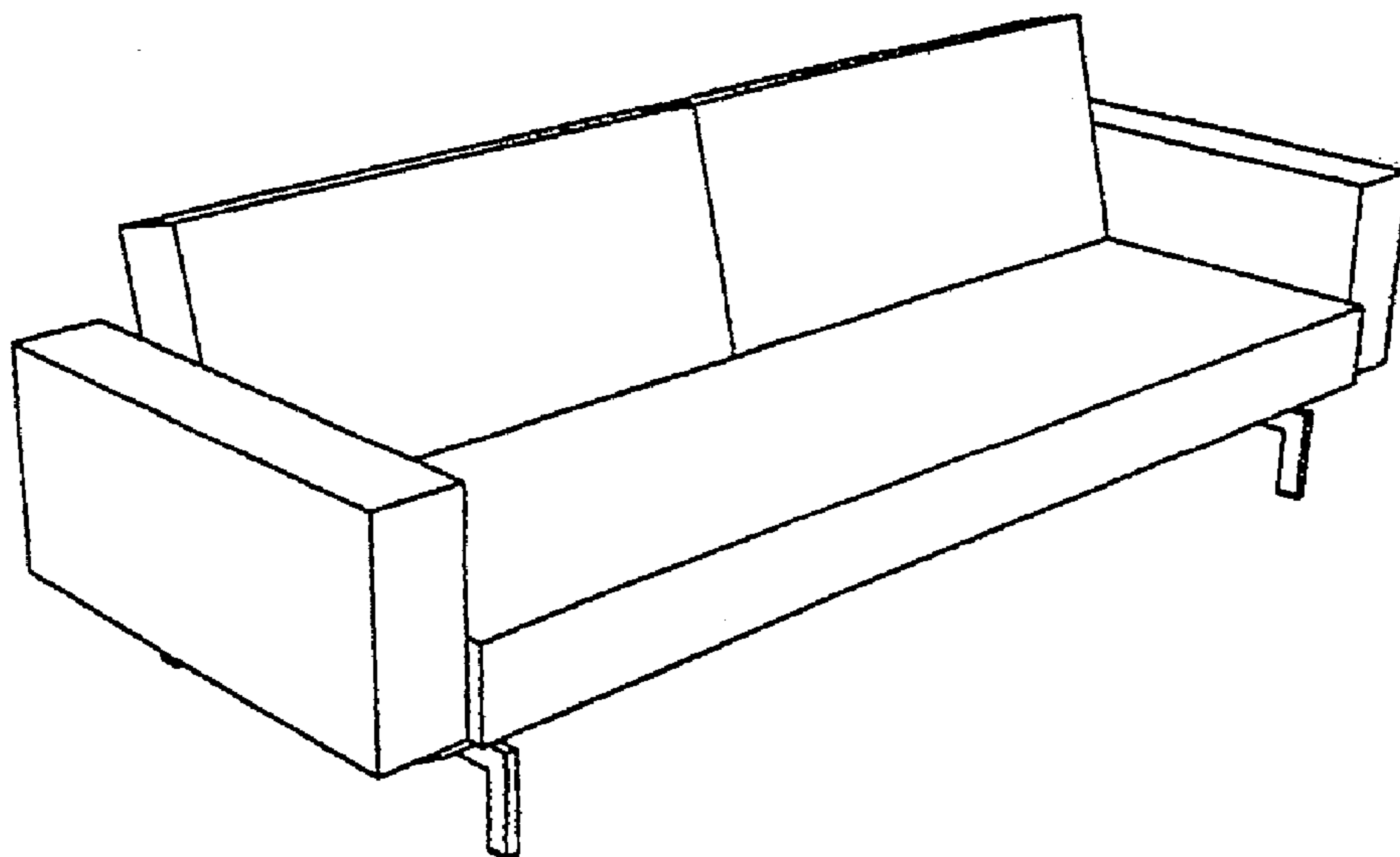


FIG. 1

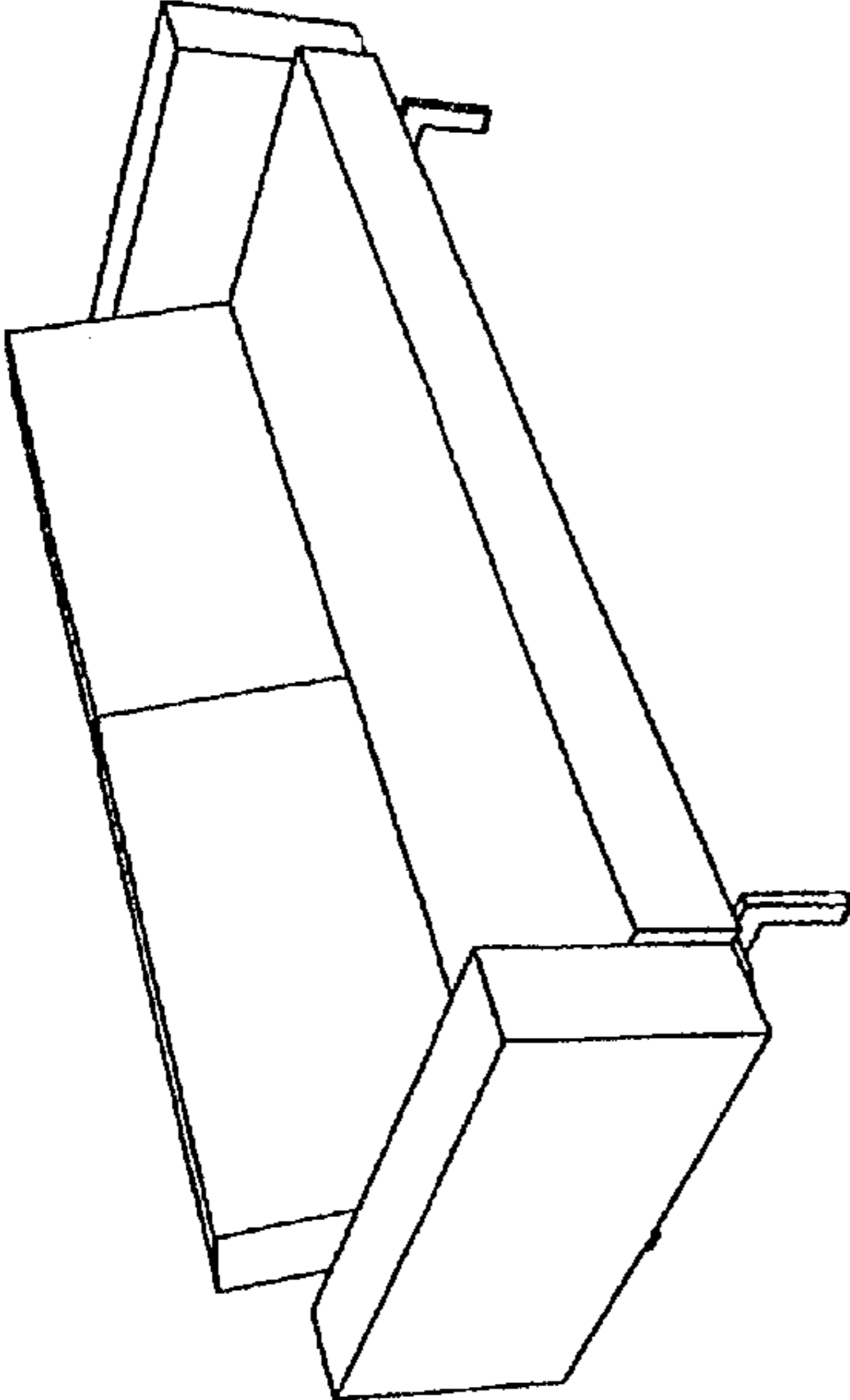


FIG. 10

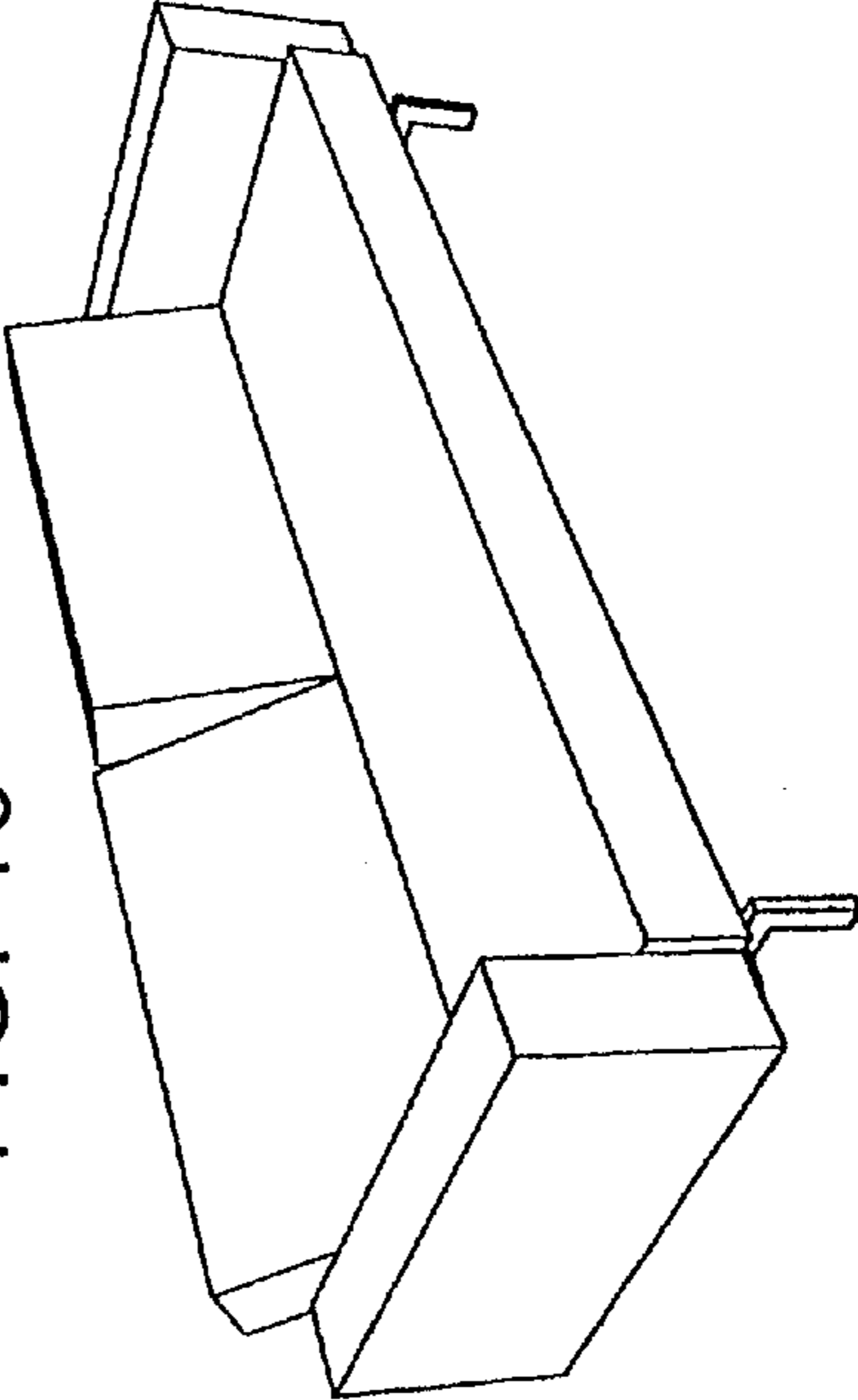


FIG. 9

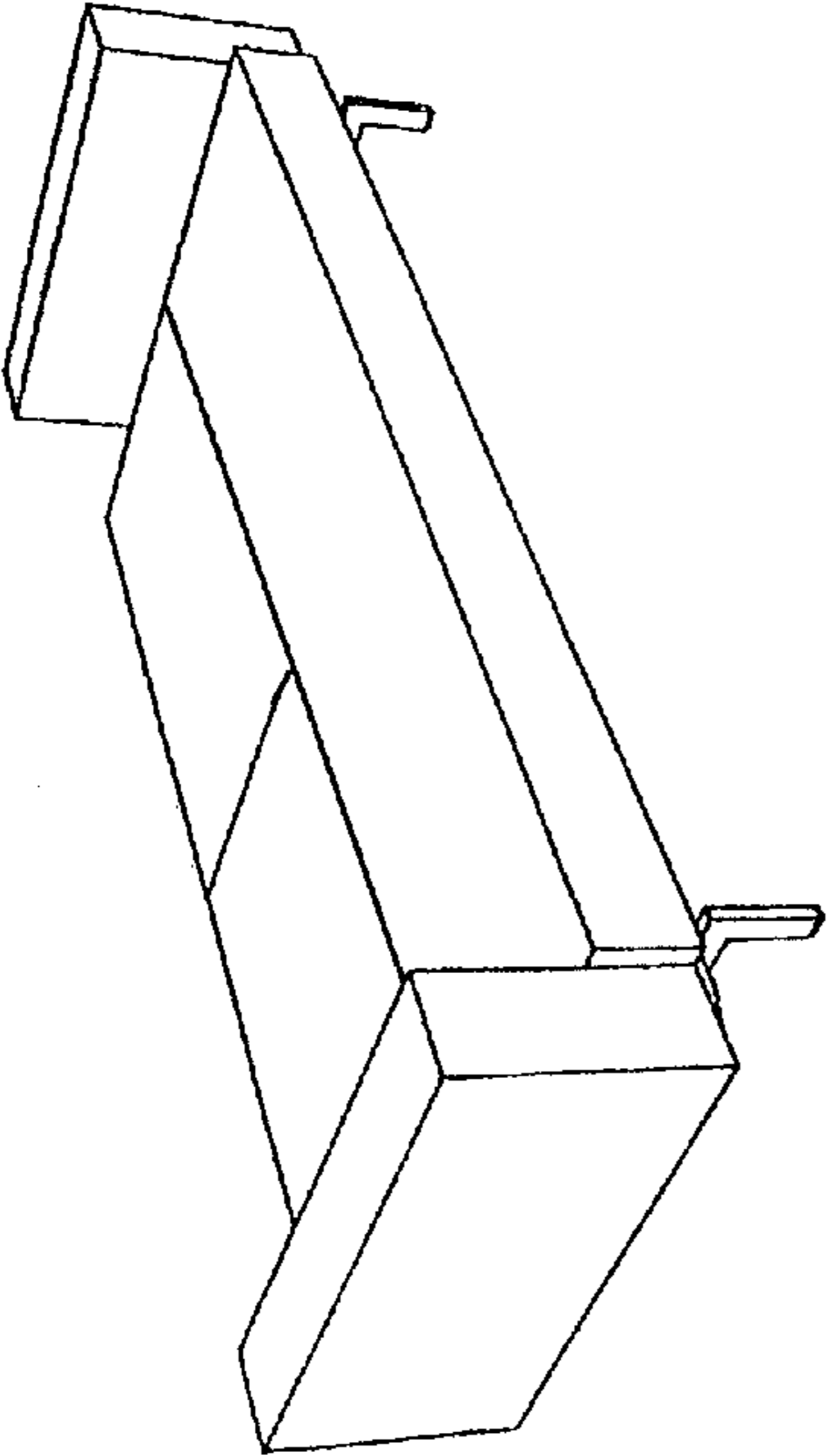


FIG. 8

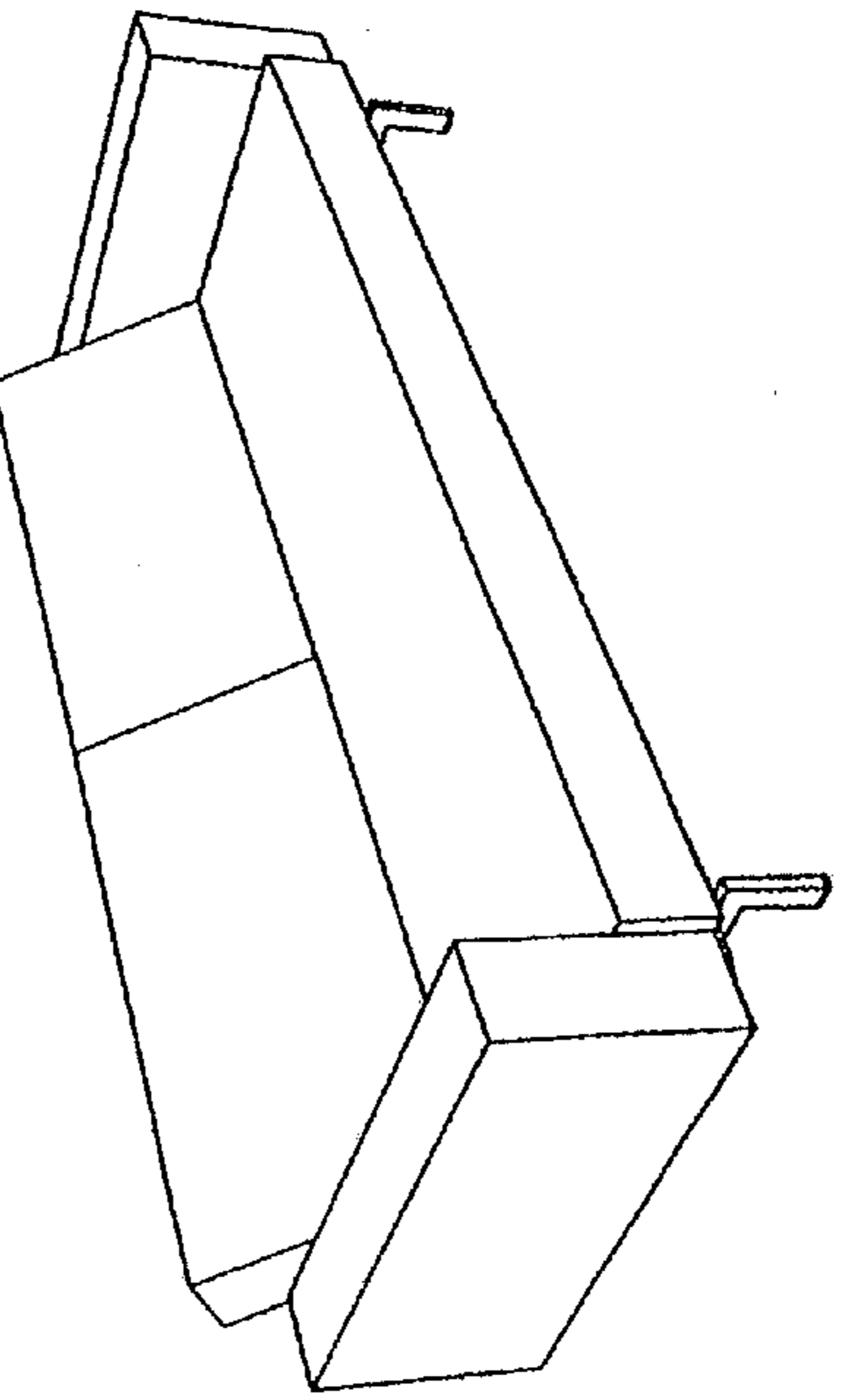


FIG. 6

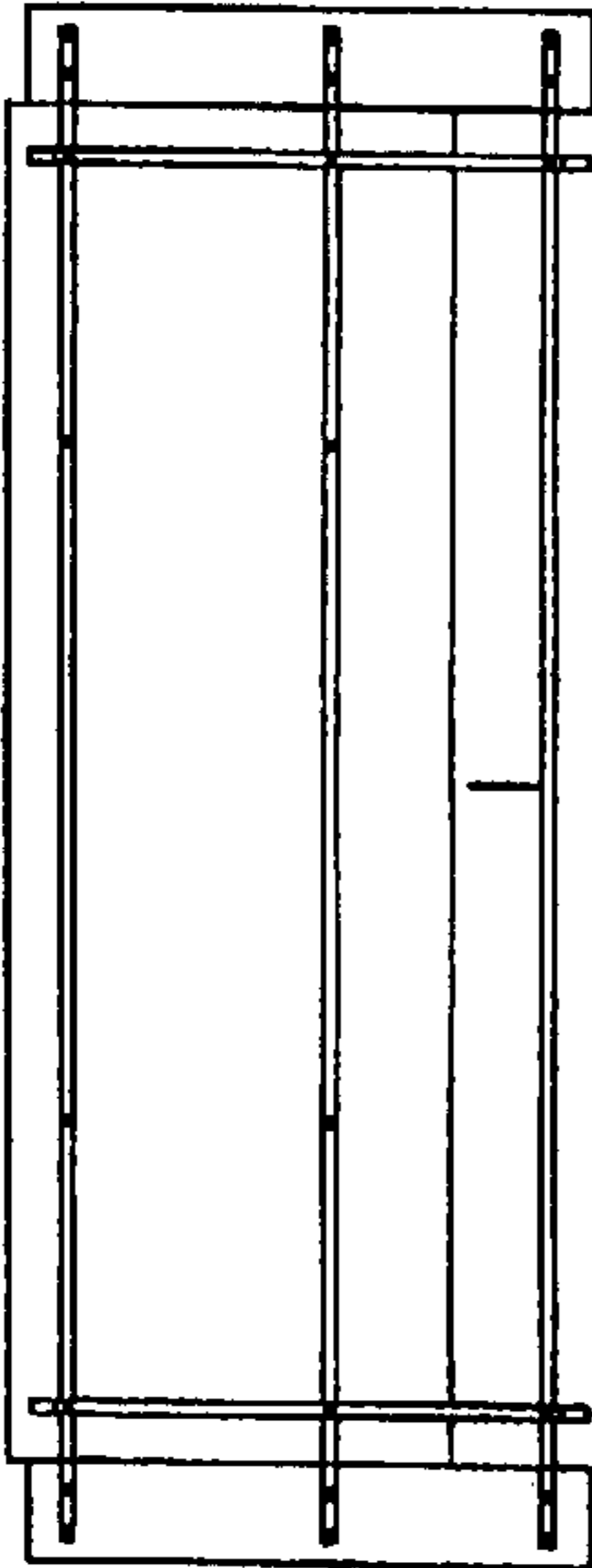


FIG. 2

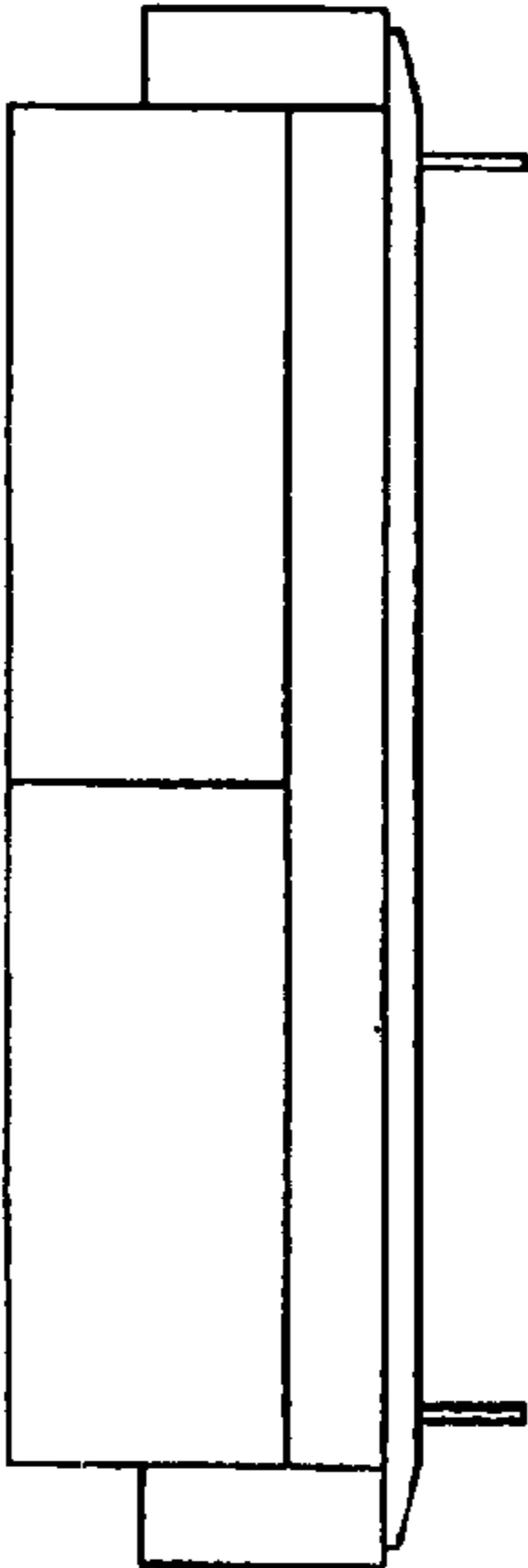


FIG. 5

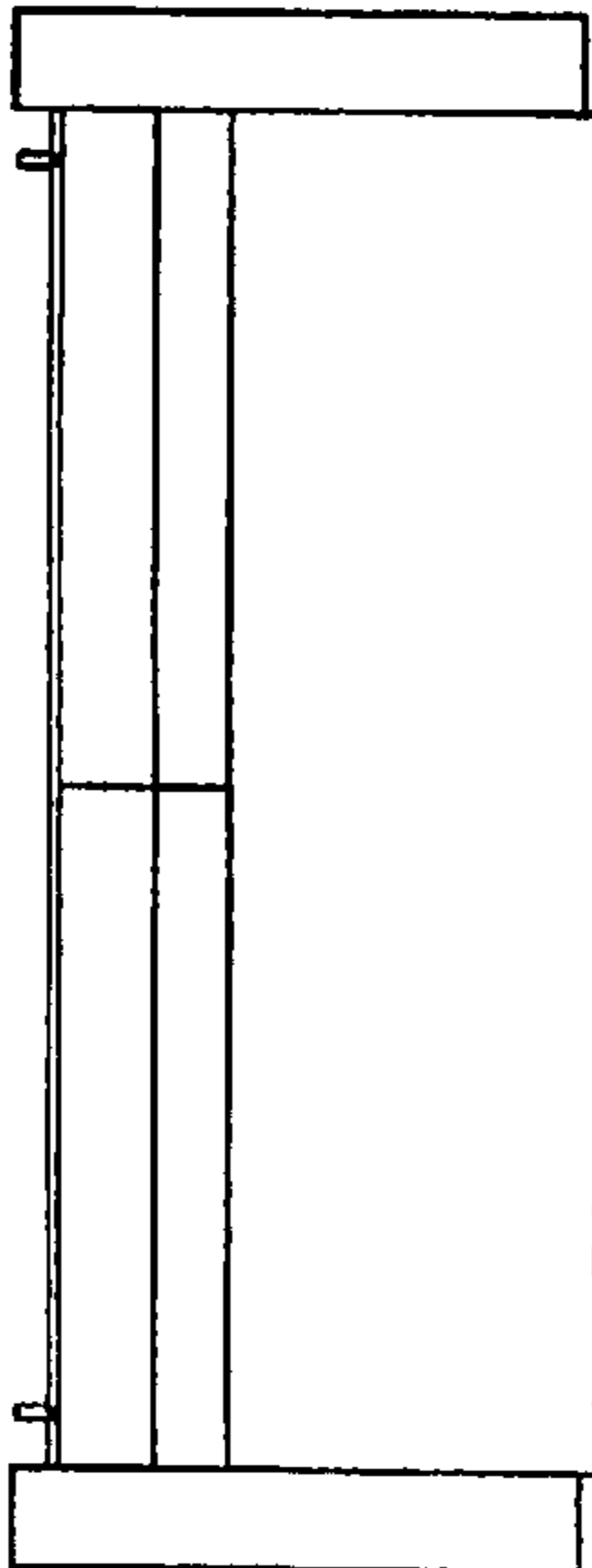


FIG. 4

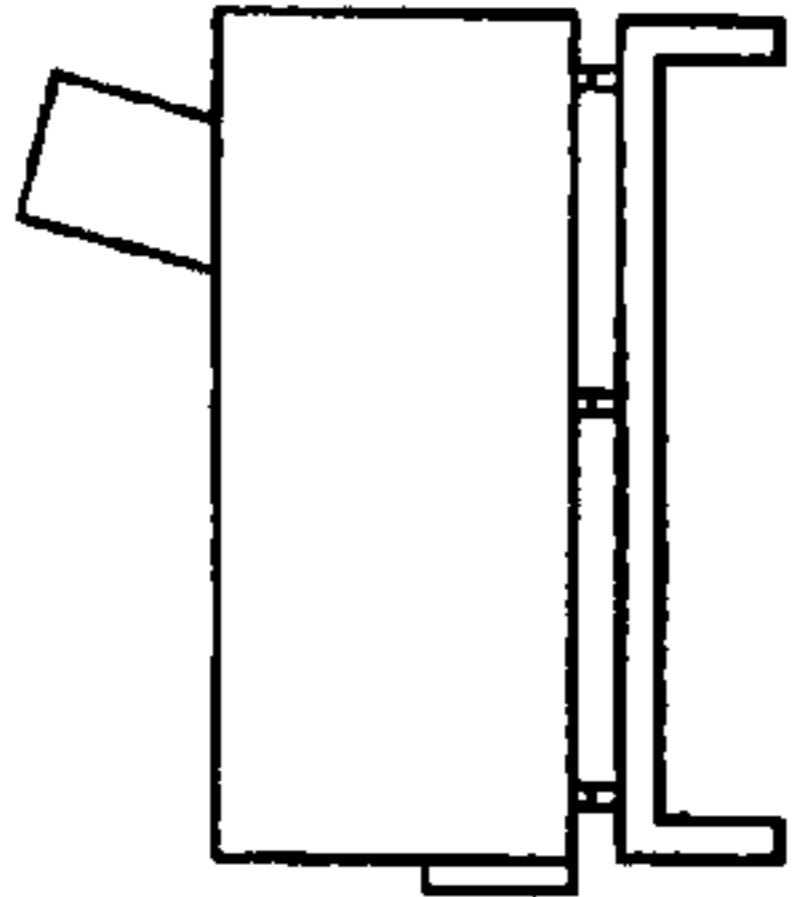


FIG. 3

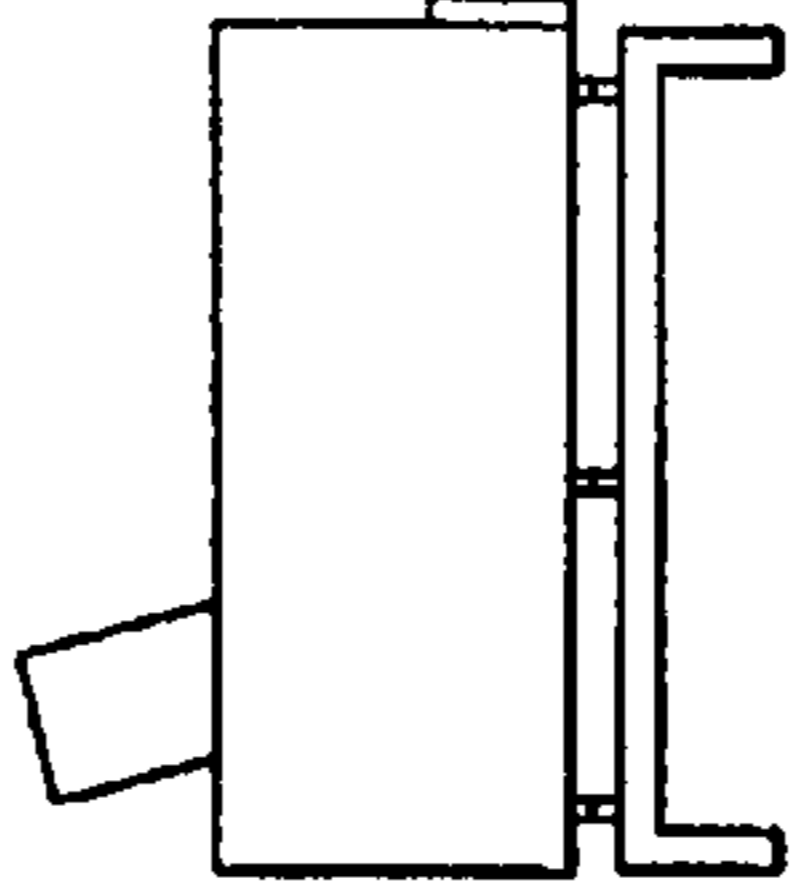


FIG. 7

