



US00D583580S

(12) **United States Design Patent**
Hara

(10) **Patent No.:** **US D583,580 S**
(45) **Date of Patent:** **** Dec. 30, 2008**

(54) **CHAIR**

(75) Inventor: **Eisuke Hara**, Kawasaki (JP)

(73) Assignee: **Okamura Corporation** (JP)

(**) Term: **14 Years**

(21) Appl. No.: **29/306,523**

(22) Filed: **Apr. 10, 2008**

(30) **Foreign Application Priority Data**

Oct. 10, 2007 (JP) 2007-27594

(51) **LOC (8) Cl.** **06-01**

(52) **U.S. Cl.** **D6/366**

(58) **Field of Classification Search** D6/334-336,
D6/360, 364, 365, 366, 367, 369, 374, 379,
D6/380, 498, 500-502; 297/284.4, 411.27,
297/452.13, 452.19, 452.21, 452.3, 452.56,
297/452.64

See application file for complete search history.

(56) **References Cited**

U.S. PATENT DOCUMENTS

D489,191 S * 5/2004 Ma D6/366

D493,627 S * 8/2004 Ma D6/366

D511,418 S * 11/2005 Breen D6/366
D528,811 S * 9/2006 Giugiaro D6/366
D534,365 S * 1/2007 Breen D6/366
D553,378 S * 10/2007 Wang D6/366

* cited by examiner

Primary Examiner—Mimosa De

(74) *Attorney, Agent, or Firm*—Ostrolenk, Faber, Gerb & Soffen, LLP

(57) **CLAIM**

The ornamental design for a chair, as shown and described.

DESCRIPTION

FIG. 1 is a front view of a chair showing my new design;

FIG. 2 is a rear view thereof;

FIG. 3 is a top view thereof;

FIG. 4 is a bottom view thereof;

FIG. 5 is a right side view thereof;

FIG. 6 is a left side view thereof; and,

FIG. 7 is a cross sectional view thereof at the line 7—7 in FIG. 1.

The broken lines illustrate mesh. The mesh is part of the claimed design.

1 Claim, 4 Drawing Sheets

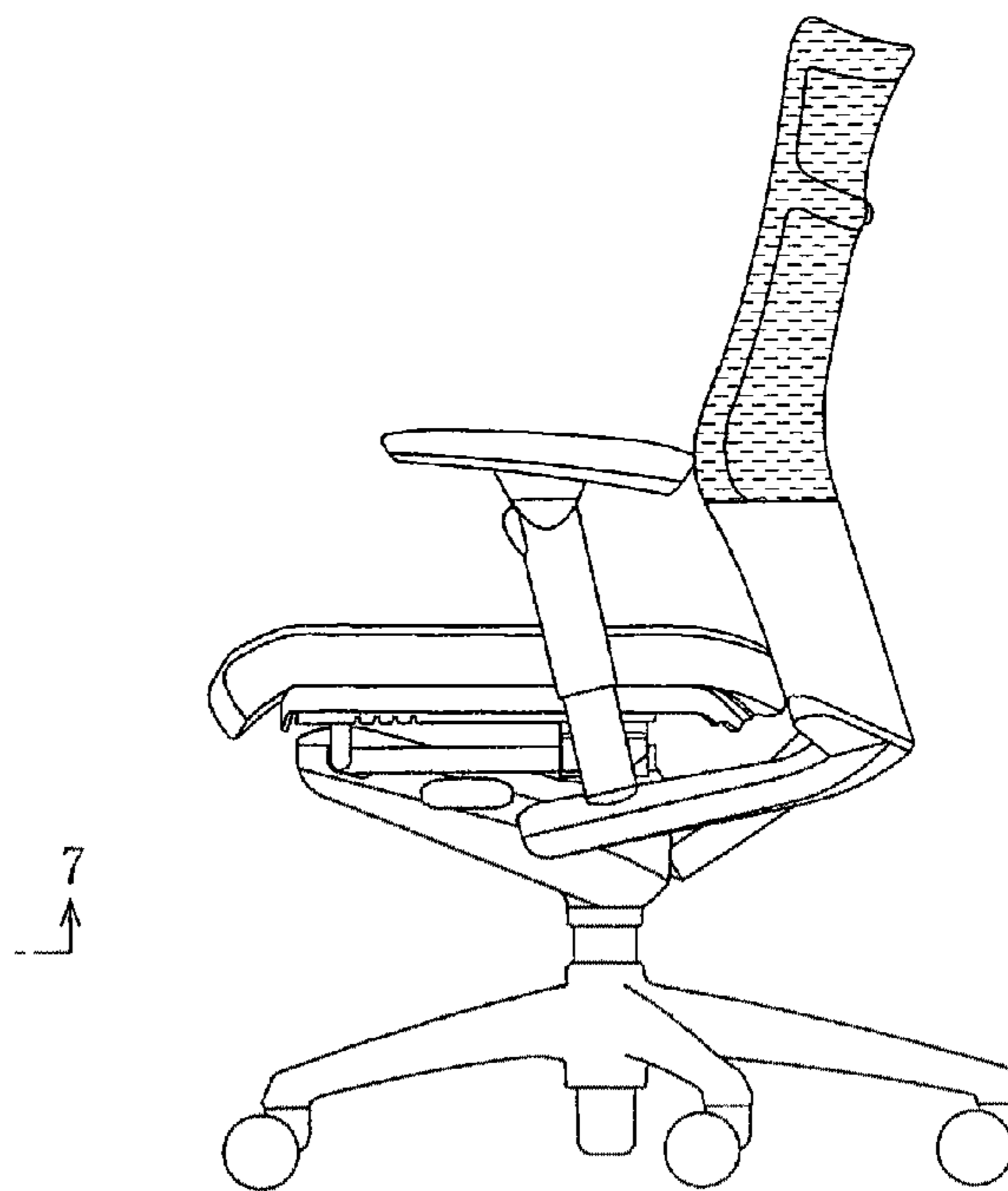
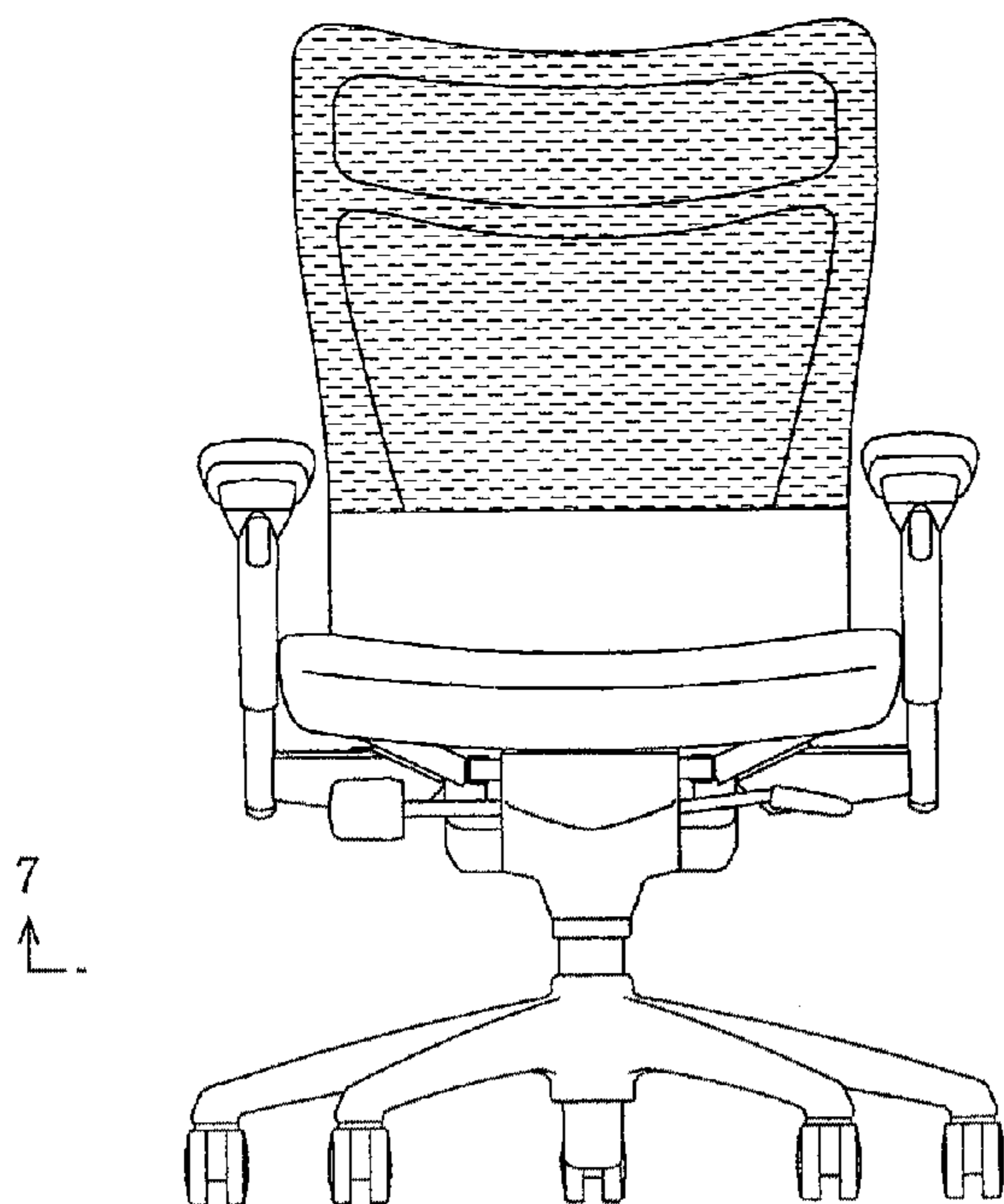


FIG. 1

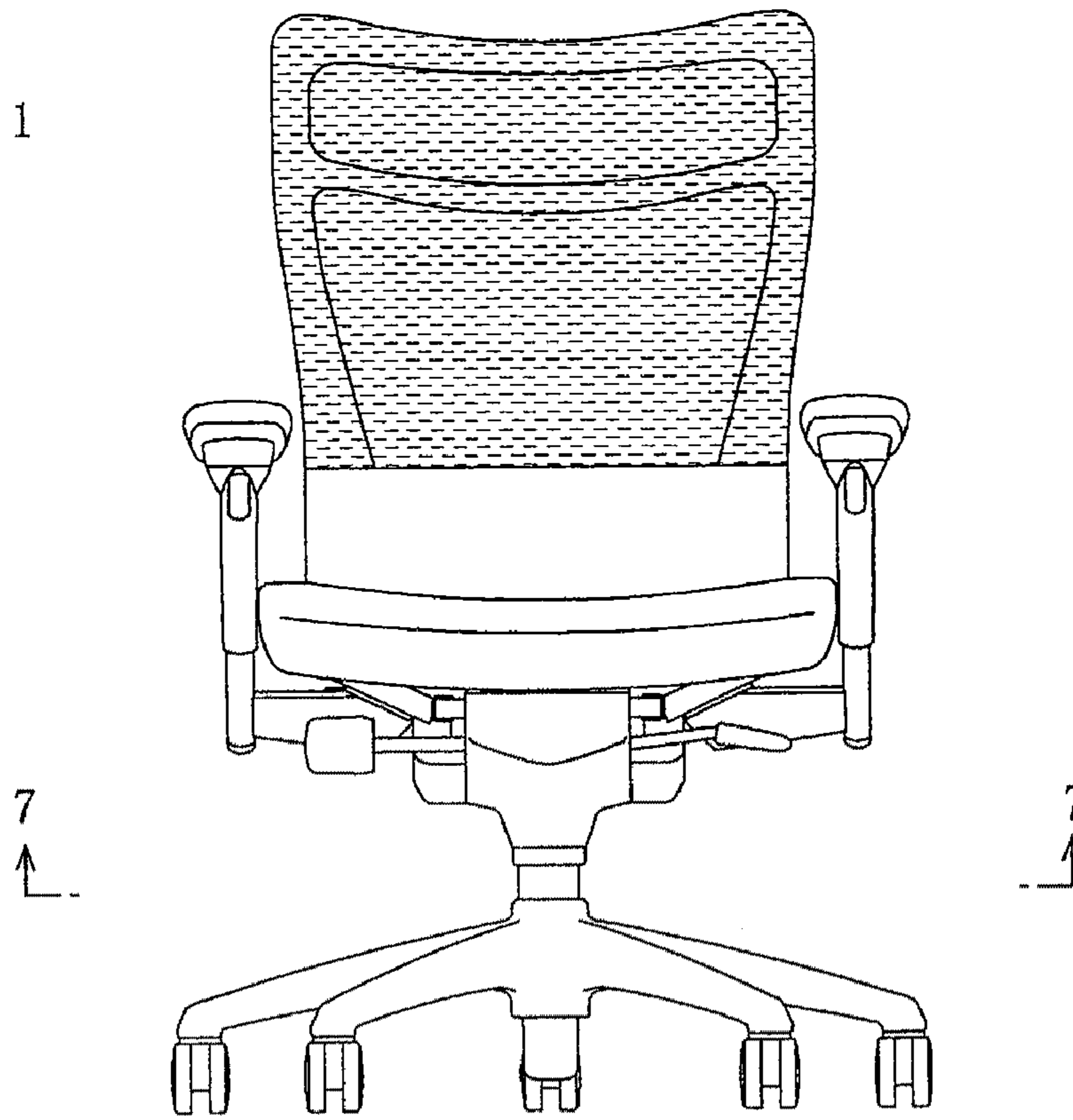


FIG. 2

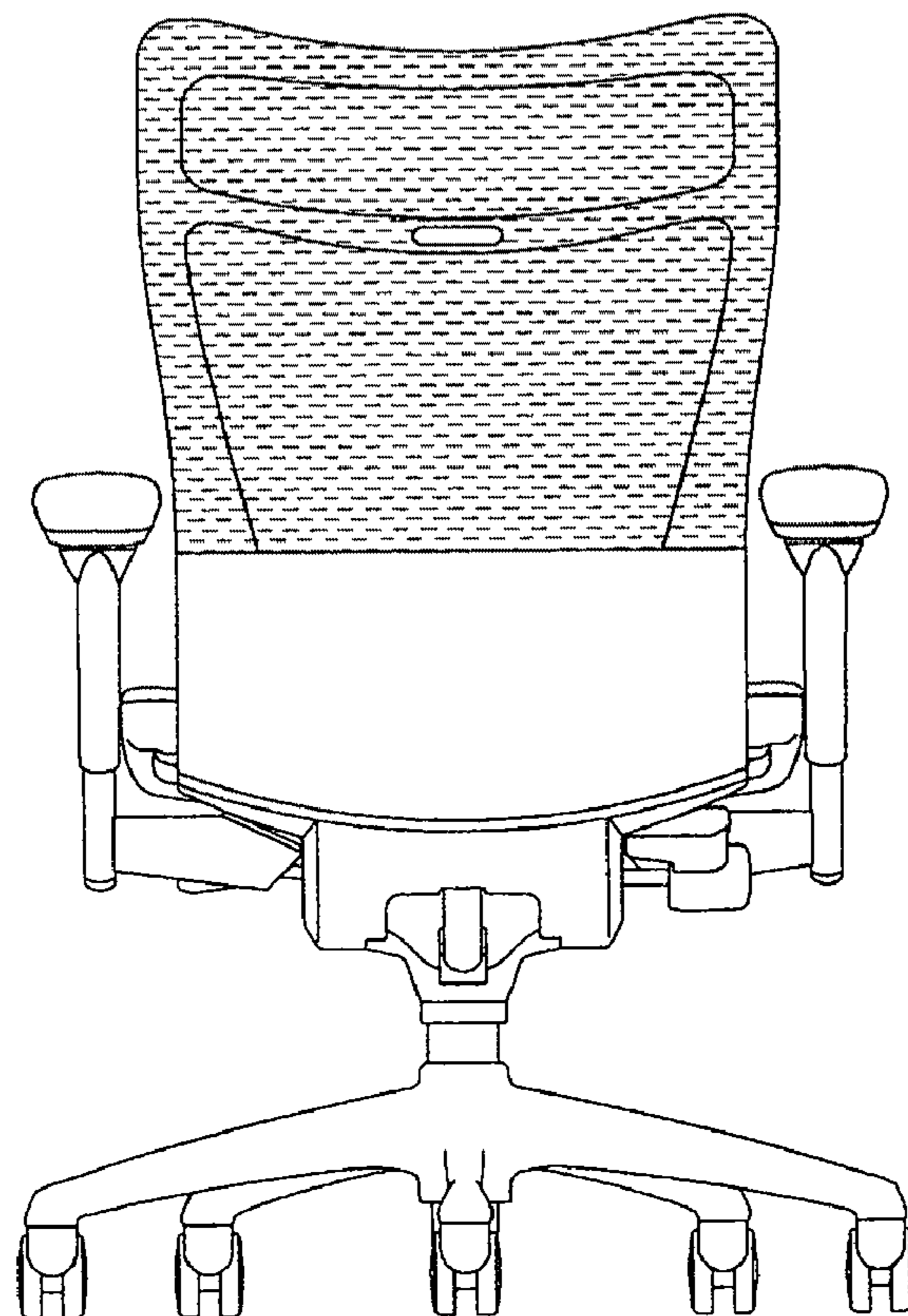


FIG. 3

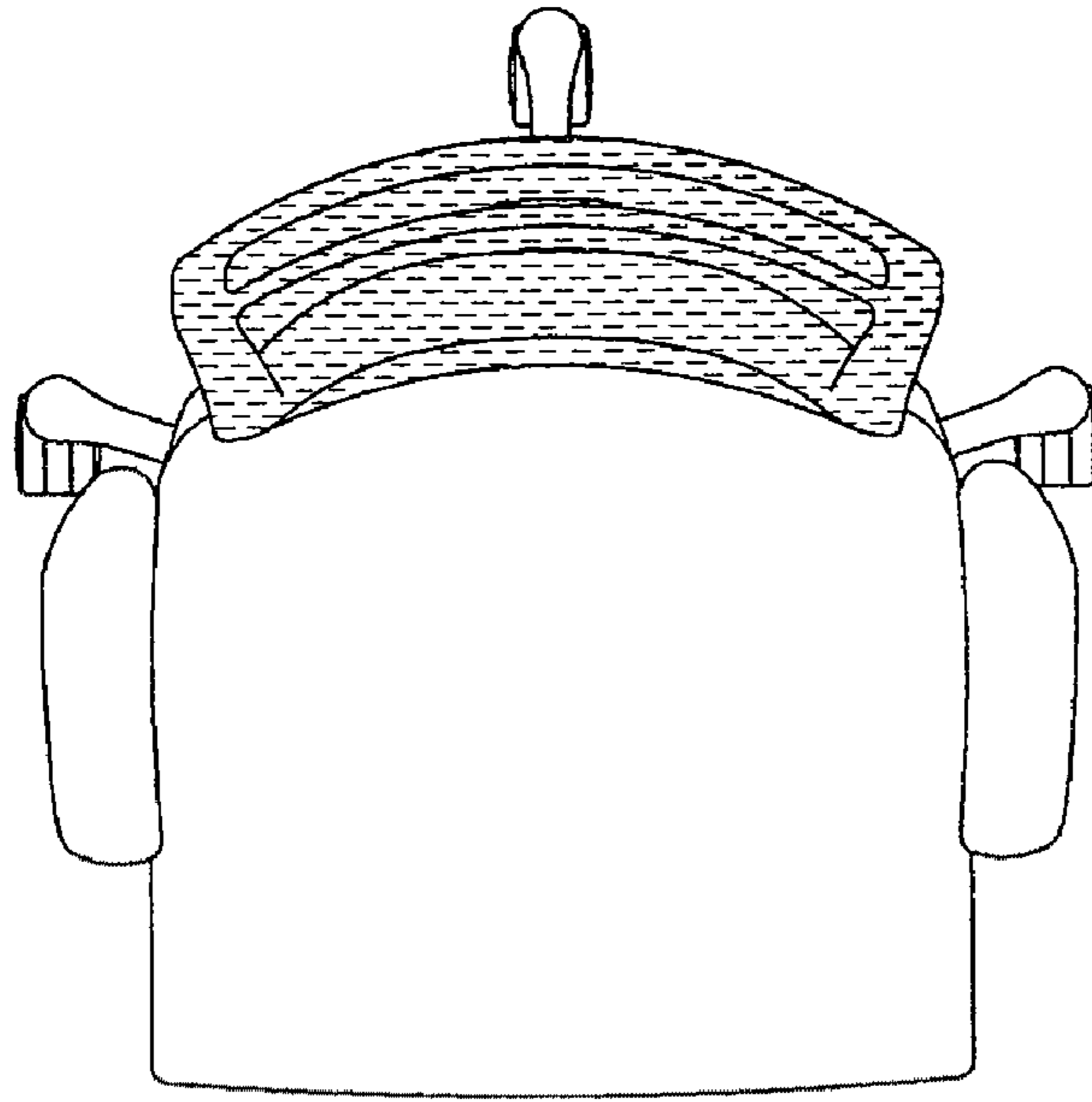


FIG. 4

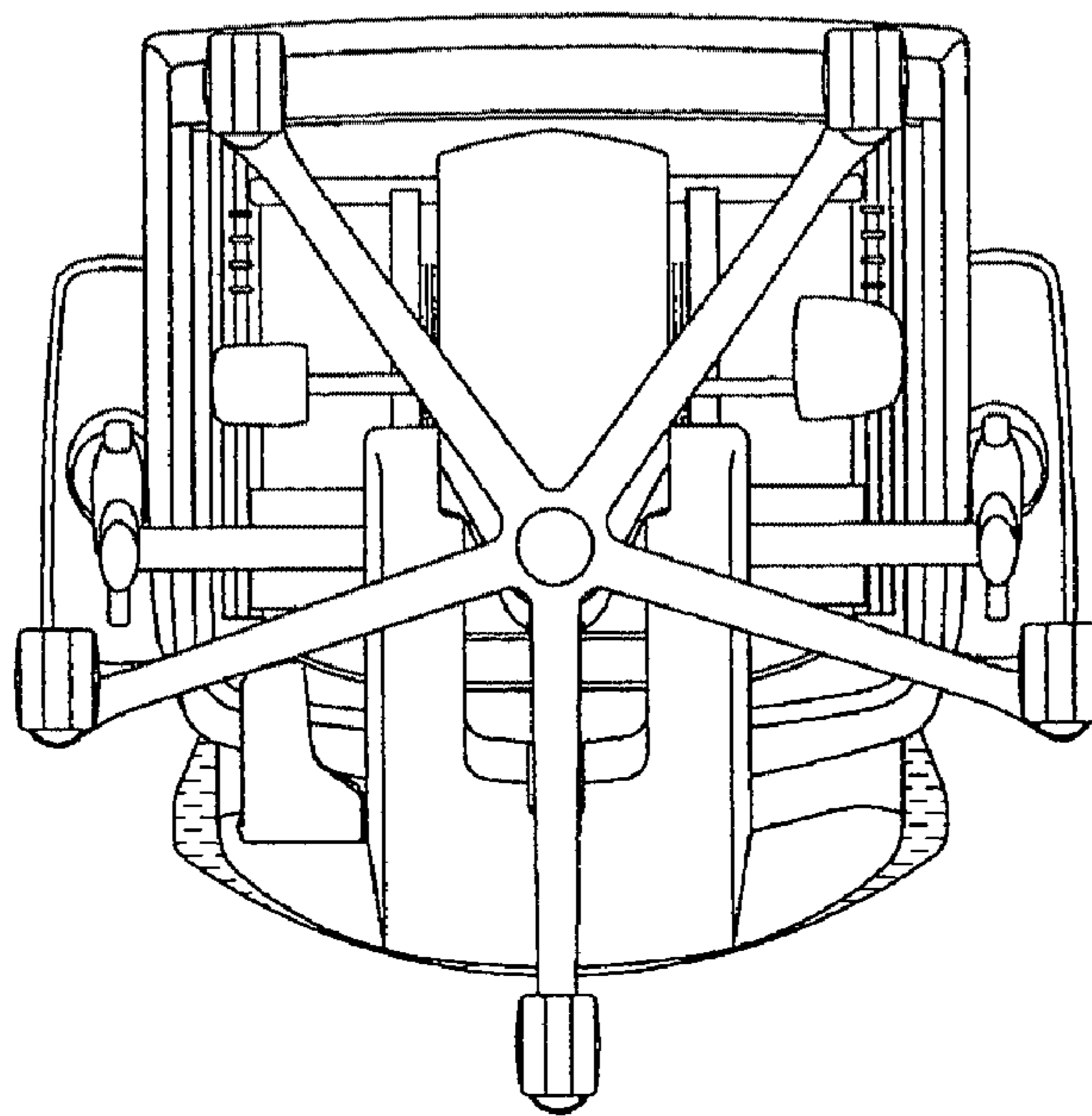


FIG. 5

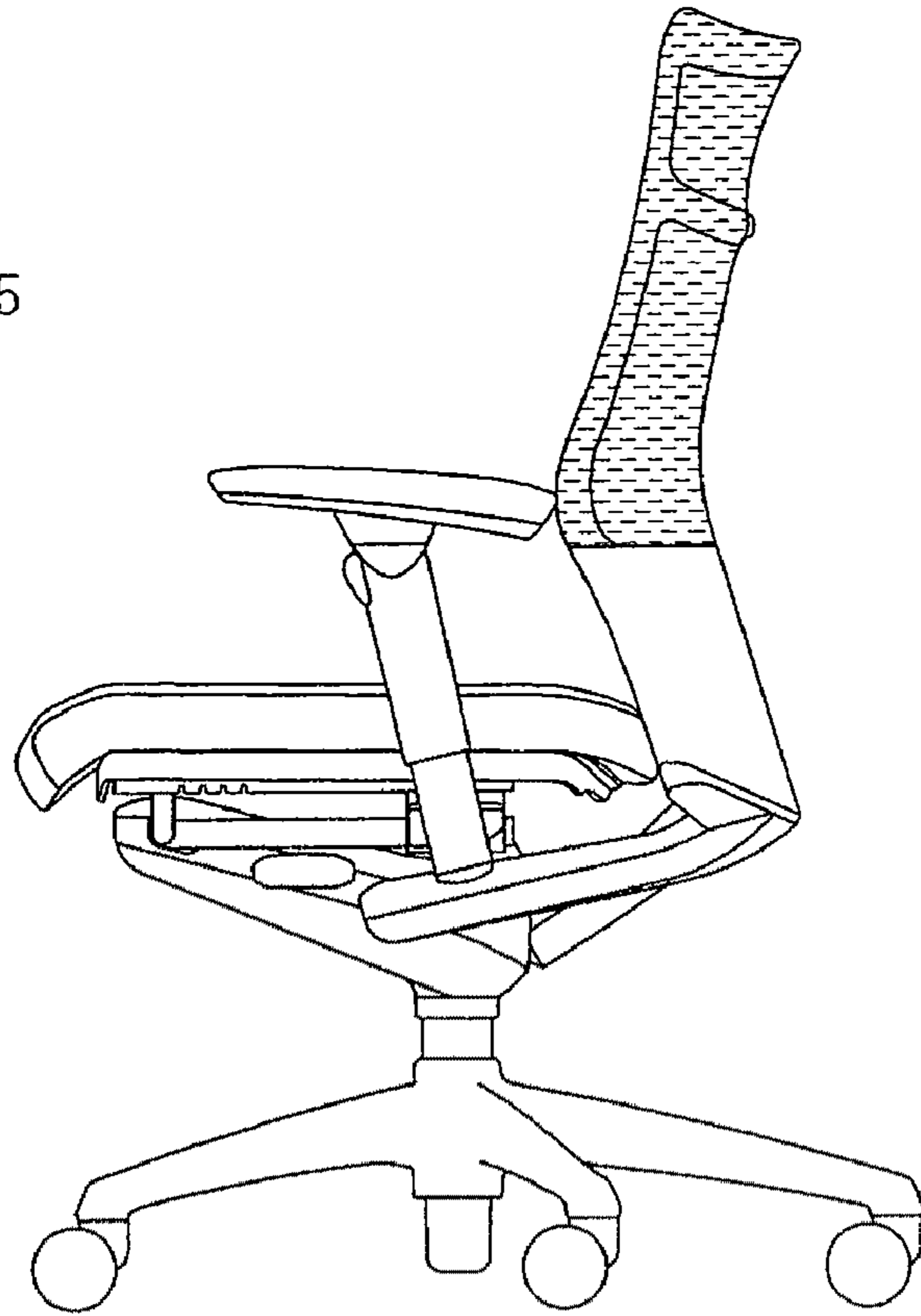


FIG. 6

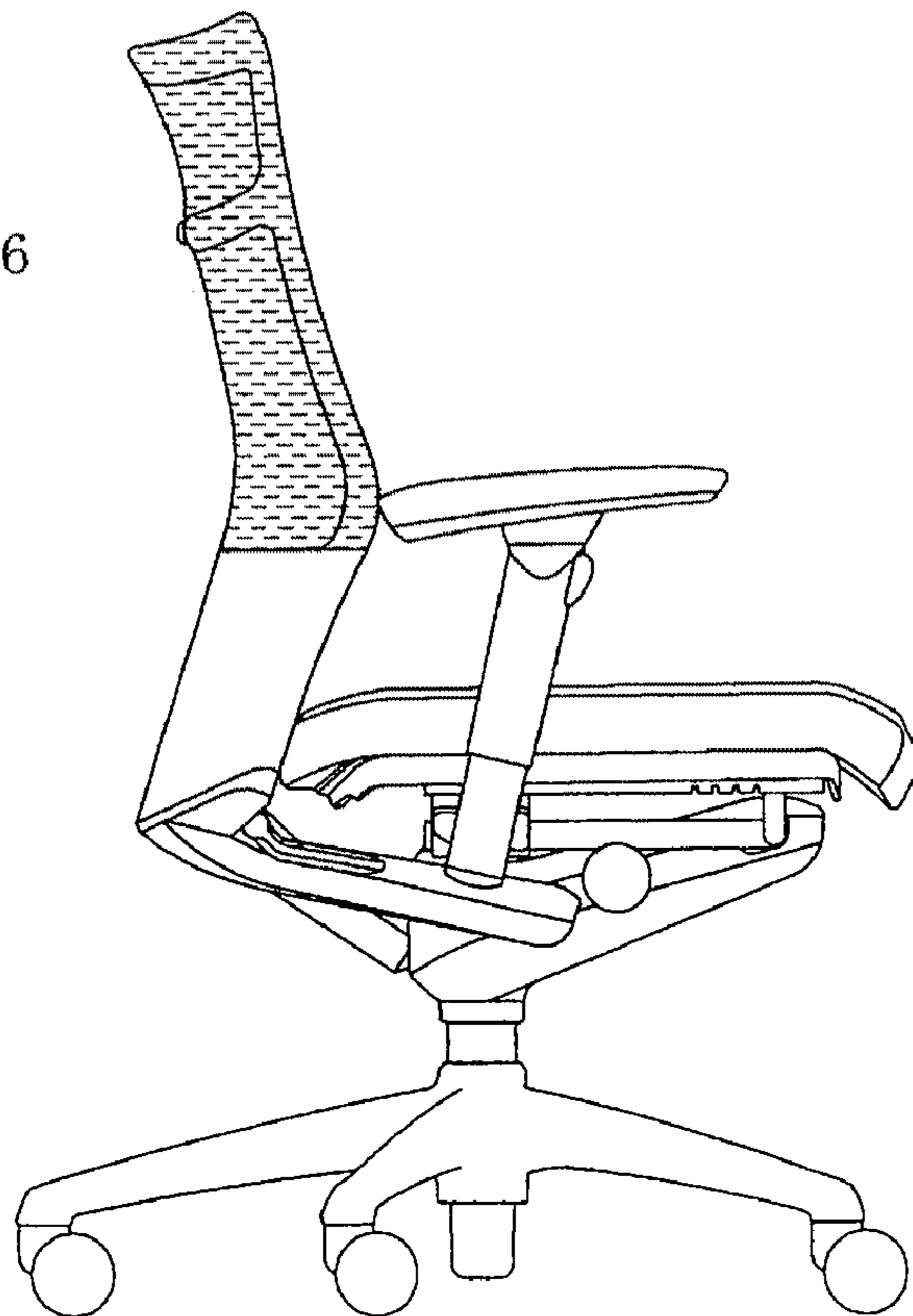


FIG. 7

