



US00D583579S

(12) **United States Design Patent**
Pearson et al.

(10) **Patent No.:** **US D583,579 S**

(45) **Date of Patent:** **** Dec. 30, 2008**

(54) **AIRPLANE SEATING UNIT**

(75) Inventors: **Luke Pearson**, West Sussex (GB); **Tom Lloyd**, West Sussex (GB); **David Ferry**, East Sussex (GB); **Adam Wells**, West Sussex (GB); **Luke Miles**, London (GB)

(73) Assignee: **Virgin Atlantic Airways Limited**, West Sussex (GB)

(**) Term: **14 Years**

(21) Appl. No.: **29/219,657**

(22) Filed: **Dec. 20, 2004**

(30) **Foreign Application Priority Data**

Jun. 18, 2004	(EP)	195292-0004
Jun. 18, 2004	(EP)	195292-0005
Jun. 18, 2004	(EP)	195292-0006
Jun. 18, 2004	(EP)	195292-0007
Jun. 18, 2004	(EP)	195292-0011
Jun. 18, 2004	(EP)	195292-0012
Jun. 18, 2004	(EP)	195292-0013

(51) **LOC (8) Cl.** **06-01**

(52) **U.S. Cl.** **D6/356**

(58) **Field of Classification Search** D6/356,
D6/335, 353, 361, 503; 297/60, 71, 75, 123
See application file for complete search history.

(56) **References Cited**

U.S. PATENT DOCUMENTS

64,044 A 4/1867 Smith

(Continued)

FOREIGN PATENT DOCUMENTS

AU 709431 6/1996

(Continued)

OTHER PUBLICATIONS

<http://www.biztravelbrokers.com/pages/sleeperseats.html>, Apr. 6, 2007.*

(Continued)

Primary Examiner—Robert M. Spear
Assistant Examiner—Katrina A Kile
(74) *Attorney, Agent, or Firm*—RatnerPrestia

(57) **CLAIM**

The ornamental design for an airplane seating unit, as shown and described.

DESCRIPTION

FIG. 1 is a top view of an airplane seating unit, illustrated in a dining mode;

FIG. 2 is a side view of the airplane seating unit shown in FIG. 1;

FIG. 3 is a perspective view of the airplane seating unit shown in FIG. 1;

FIG. 4 is a top view of the airplane seating unit shown in FIG. 1, illustrated in a bed mode;

FIG. 5 is a side view of the airplane seating unit shown in FIG. 4;

FIG. 6 is a perspective view of the airplane seating unit shown in FIG. 4;

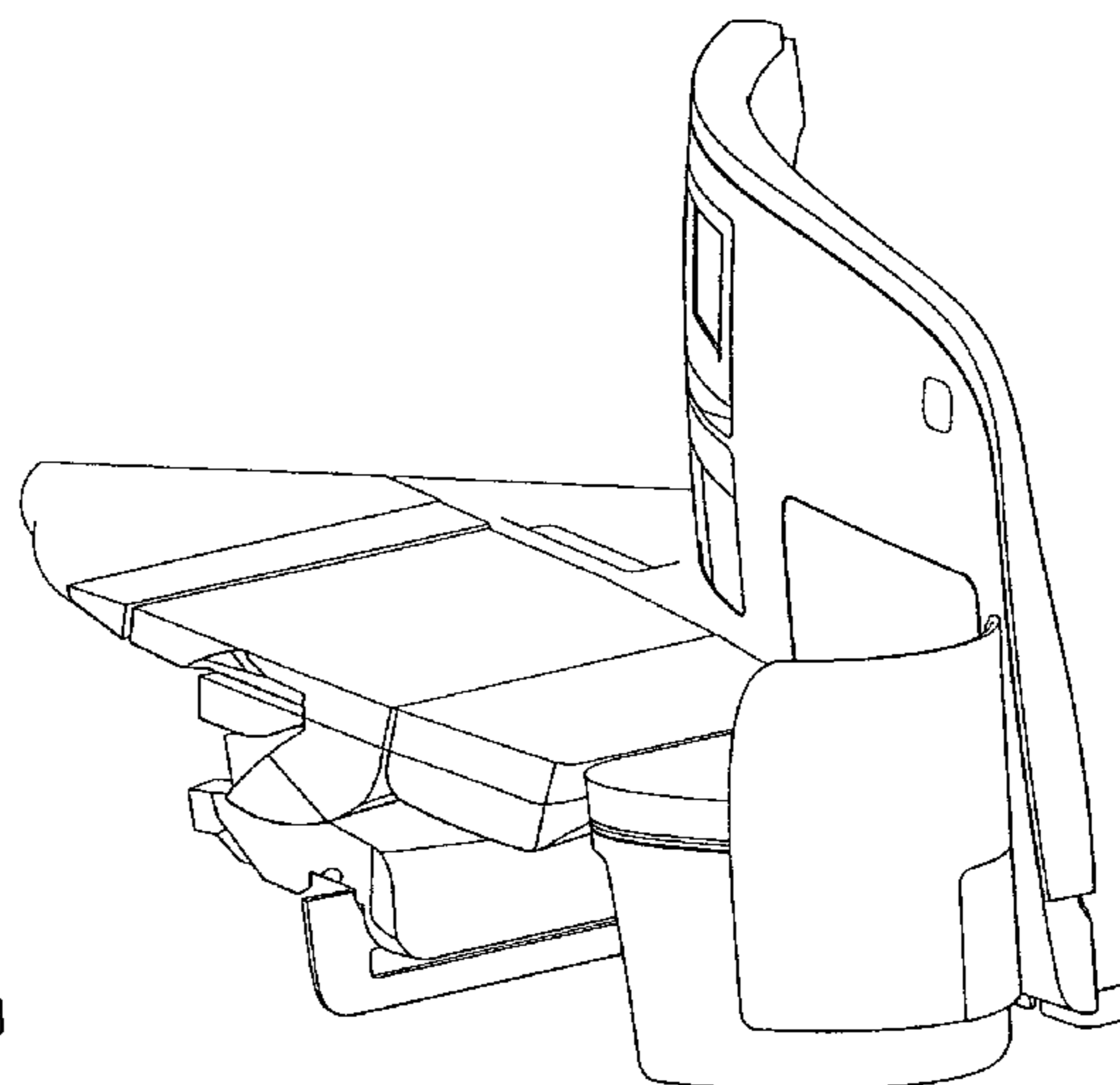
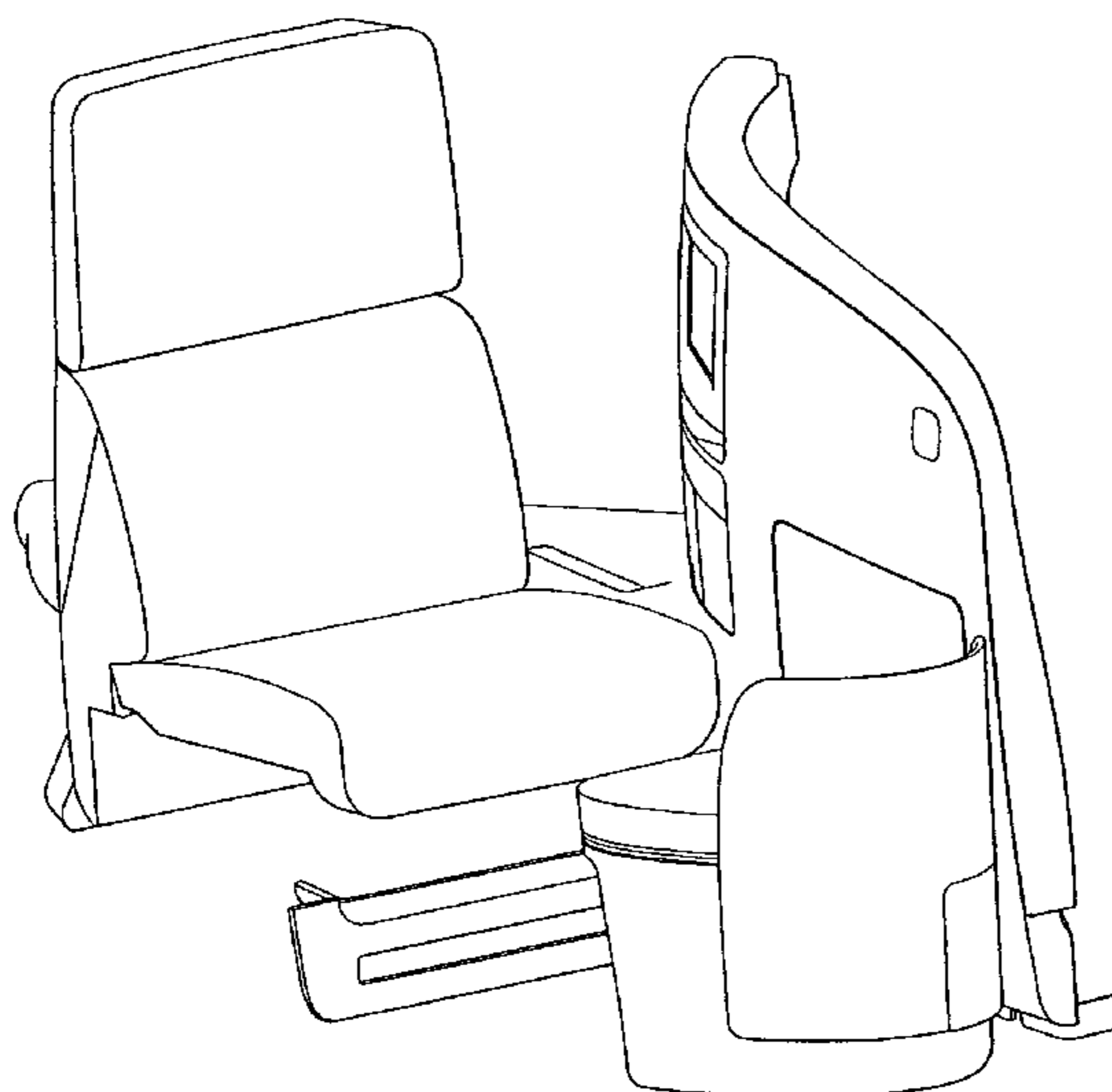
FIG. 7 is a top view of the airplane seating unit shown in FIG. 1, illustrated in a lounge mode;

FIG. 8 is a side view of the airplane seating unit shown in FIG. 7; and,

FIG. 9 is a perspective view of the airplane seating unit shown in FIG. 7.

The broken lines are for illustration only and form no part of the claimed design.

1 Claim, 9 Drawing Sheets



US D583,579 S

Page 2

U.S. PATENT DOCUMENTS					
177,526 A	5/1876	Lawrence	4,589,612 A	5/1986	Halim
242,941 A	6/1881	Laeremans	4,620,335 A	11/1986	Dodgen
263,329 A	8/1882	Flagg	4,625,934 A	12/1986	Ryan et al.
336,387 A	2/1886	Child	4,672,696 A	6/1987	Horenkamp
426,782 A	4/1890	Dom	D290,664 S *	7/1987	Strousse et al. D6/361
449,419 A	3/1891	Hutton et al.	4,685,719 A	8/1987	Hanemaayer
492,414 A	2/1893	Morrill et al.	4,685,730 A	8/1987	Linguanotto
543,487 A	7/1895	Kilgore	D293,516 S *	1/1988	Schultz D6/361
567,491 A	9/1896	Murphy	4,718,720 A	1/1988	Braun et al.
597,665 A	1/1898	Andren	4,756,034 A	7/1988	Stewart
754,536 A	3/1904	Billmyer	4,756,502 A	7/1988	Egan
878,889 A	2/1908	Miller	4,856,738 A	8/1989	Martin
1,354,190 A	9/1920	Hilger	4,860,393 A	8/1989	Schefthaler
1,427,280 A	8/1922	Gahm	4,865,387 A	9/1989	Lipparin et al.
1,703,969 A	3/1929	Syvud	4,881,702 A	11/1989	Slettebak
1,767,488 A	6/1930	Stout	4,890,885 A	1/1990	Grossmann
2,081,529 A	5/1937	Canney	4,898,426 A	2/1990	Schulz et al.
2,092,655 A	9/1937	Page, Jr.	4,932,816 A	6/1990	Ligensa
2,124,003 A	7/1938	McDonnell, Jr. et al.	4,936,620 A	6/1990	Francois et al.
2,208,683 A	7/1940	Page, Jr.	4,962,963 A	10/1990	Robinson
2,247,546 A	7/1941	Donoho	5,058,954 A	10/1991	Kan-Chee
2,280,065 A	4/1942	De Roode	5,086,996 A	2/1992	Roeder et al.
2,310,573 A	2/1943	Burton	5,108,148 A	4/1992	Henke
2,332,841 A	10/1943	Burton et al.	5,112,109 A	5/1992	Takada et al.
2,382,402 A	8/1945	De Roode	5,161,765 A	11/1992	Wilson
2,600,706 A	6/1952	Tully et al.	5,169,091 A	12/1992	Beroth
2,608,366 A	8/1952	Jergenson	5,178,346 A	1/1993	Beroth
2,611,420 A	9/1952	Diehl	5,180,120 A	1/1993	Simpson et al.
2,629,425 A	2/1953	James	5,183,313 A	2/1993	Cunningham
2,775,996 A	1/1957	Millar	5,199,764 A	4/1993	Robinson
2,947,349 A	8/1960	Kryter	D336,379 S	6/1993	Veneruso
2,953,103 A	9/1960	Bohannon et al.	5,224,755 A	7/1993	Beroth
2,969,107 A	1/1961	Naxon et al.	D340,813 S *	11/1993	Liu D6/348
2,997,340 A	8/1961	Poskin	D341,491 S *	11/1993	Martin D6/361
3,025,106 A	3/1962	Evans et al.	5,269,588 A	12/1993	Kunz et al.
3,041,108 A	6/1962	Cohn	D343,069 S *	1/1994	Trudo et al. D6/361
3,476,495 A	11/1969	Church	5,282,665 A	2/1994	Beroth
3,666,314 A	5/1972	Makinen et al.	5,284,379 A	2/1994	Arnold et al.
3,695,689 A *	10/1972	Barecki 297/188.07	5,328,238 A	7/1994	Yamazaki
3,751,998 A	8/1973	Vasilatos	5,333,818 A	8/1994	Brandt et al.
3,804,460 A *	4/1974	Leffler 297/330	5,337,979 A	8/1994	Bales et al.
3,883,173 A	5/1975	Shepard et al.	5,368,355 A	11/1994	Hayden et al.
3,898,704 A	8/1975	Gallaher et al.	5,383,704 A	1/1995	Granados et al.
3,934,929 A	1/1976	Rabinowitz	5,425,516 A	6/1995	Daines
3,934,931 A *	1/1976	Matsui et al. 297/319	D361,972 S	9/1995	Ney et al.
4,071,210 A	1/1978	Mutke	D364,508 S	11/1995	Pryor et al.
4,099,275 A	7/1978	Pallan	5,509,722 A	4/1996	Beroth
4,157,797 A	6/1979	Fox	D371,008 S	6/1996	Stulik
4,213,593 A	7/1980	Weik	D371,465 S	7/1996	Stulik
4,227,736 A	10/1980	Lebault et al.	5,531,404 A	7/1996	Marechal
4,366,983 A	1/1983	Klueting et al.	5,542,744 A	8/1996	Bathrick
D268,880 S	5/1983	Palmgren	5,553,923 A	9/1996	Bilezikjian
D268,972 S	5/1983	White	5,558,399 A	9/1996	Serber
D268,973 S	5/1983	White	D374,993 S	10/1996	Emoto
4,382,628 A	5/1983	Palmgren	5,560,681 A	10/1996	Dixon et al.
D269,652 S *	7/1983	McKean et al. D6/356	5,560,683 A	10/1996	Penley et al.
4,394,047 A	7/1983	Brunelle	5,597,139 A	1/1997	Beroth
4,402,096 A	9/1983	Atimichuk	5,611,503 A	3/1997	Brauer
4,402,547 A	9/1983	Weston et al.	5,615,928 A	4/1997	Penley
4,410,215 A	10/1983	McKean et al.	5,628,547 A	5/1997	Matsumiya
4,416,488 A	11/1983	Wall	5,636,898 A	6/1997	Dixon et al.
D273,157 S *	3/1984	Staub D6/356	D381,524 S *	7/1997	Gabriel D6/361
4,440,439 A	4/1984	Szabo	5,651,514 A	7/1997	Grilliot et al.
D273,642 S *	5/1984	Marrujo D6/356	5,653,502 A	8/1997	Kimura et al.
D276,859 S *	12/1984	Kramer et al. D6/361	D383,320 S	9/1997	Gilbertson
D277,239 S	1/1985	White	5,669,799 A	9/1997	Moseneder et al.
4,492,407 A	1/1985	Broadhead	D385,709 S	11/1997	Gryp
D277,526 S	2/1985	White	D387,914 S	12/1997	Beermann et al.
4,536,027 A	8/1985	Brennan	D388,966 S	1/1998	Beermann et al.
4,543,675 A	10/1985	Shrock	5,707,103 A	1/1998	Balk
4,585,272 A	4/1986	Ballarini	D390,367 S	2/1998	Demski et al.
			D391,086 S	2/1998	Catchings et al.
			D391,087 S	2/1998	Sacco et al.

US D583,579 S

D391,088 S	2/1998	Sacco et al.	6,241,188 B1	6/2001	Simpson et al.
5,716,026 A	2/1998	Pascasio et al.	D445,266 S	7/2001	Leon et al.
D391,410 S	3/1998	Tomforde et al.	D446,029 S	8/2001	Hutton
D392,116 S	3/1998	Tomforde et al.	D446,395 S	8/2001	Hutton
5,722,726 A	3/1998	Matsumiya	6,270,141 B2	8/2001	Moon et al.
5,740,989 A	4/1998	Daines	6,276,635 B1	8/2001	Ferry et al.
5,741,046 A	4/1998	Leuchtmann et al.	D447,880 S	9/2001	Lewis et al.
D394,756 S	6/1998	Gryp et al.	6,305,644 B1	10/2001	Beroth
D395,558 S	6/1998	Gryp et al.	D451,688 S	12/2001	Cramer
D396,152 S	7/1998	Beermann et al.	D452,385 S	12/2001	Denton
5,788,183 A	8/1998	Marechal	D453,425 S	2/2002	Clarke
5,816,534 A	10/1998	Schumacher	6,352,309 B1	3/2002	Beroth
D402,125 S	12/1998	Dryburgh et al.	D455,276 S	4/2002	Hutton
5,842,743 A	12/1998	Wright et al.	D455,391 S	4/2002	Granzeier et al.
5,847,745 A	12/1998	Shimizu et al.	D456,338 S	4/2002	Granzeier et al.
D404,927 S	2/1999	Blomdell et al.	6,375,119 B2	4/2002	Park et al.
D405,275 S	2/1999	Dryburgh et al.	6,394,393 B1	5/2002	Mort
D405,281 S	2/1999	Blomdell et al.	D458,465 S	6/2002	Boulay et al.
5,868,470 A	2/1999	Hyder et al.	D459,095 S	6/2002	Lewis et al.
5,868,472 A	2/1999	Grilliot et al.	6,398,164 B1	6/2002	Frasse
D409,010 S	5/1999	Papaioannou et al.	D460,279 S	7/2002	Moburg
D411,689 S	6/1999	Papaioannou et al.	6,412,870 B1	7/2002	Higgins et al.
D411,691 S	6/1999	Sacco et al.	D461,321 S	8/2002	Figueras Mitjans
D411,922 S	7/1999	Granados	D462,533 S	9/2002	Popham et al.
5,947,559 A	9/1999	Williams	D463,357 S	9/2002	Granzeier et al.
5,954,401 A	9/1999	Koch et al.	6,450,579 B1	9/2002	Nylander et al.
D414,948 S	10/1999	Slanec et al.	D465,344 S	11/2002	Siegert
5,979,964 A	11/1999	Ban et al.	6,481,798 B2	11/2002	Romca et al.
5,988,749 A	11/1999	Williams	D467,088 S	12/2002	Haney et al.
5,992,798 A	11/1999	Ferry	6,494,404 B1	12/2002	Meyer
6,000,659 A	12/1999	Brauer	D468,917 S *	1/2003	Veneruso D6/356
6,022,074 A	2/2000	Swedenklef	D469,264 S	1/2003	Natuzzi et al.
D421,593 S	3/2000	Papaioannou et al.	D471,021 S	3/2003	Lewis et al.
D421,948 S	3/2000	Dryburgh et al.	D471,369 S	3/2003	Khavari
D422,801 S *	4/2000	Tremont et al. D6/356	D473,723 S	4/2003	Pesso
D425,318 S	5/2000	Koncar	6,547,332 B2	4/2003	Pejathaya
D425,711 S	5/2000	Desombre	D475,542 S	6/2003	Pfeiffer et al.
D425,712 S	5/2000	Kelderman	6,578,795 B2	6/2003	Romca et al.
6,056,239 A	5/2000	Cantu et al.	6,588,837 B1	7/2003	Schultz et al.
6,059,364 A	5/2000	Dryburgh et al.	D478,221 S	8/2003	Pfeiffer et al.
D426,392 S	6/2000	Ott et al.	6,601,798 B2	8/2003	Cawley
D428,276 S	7/2000	Mitjans	D479,497 S	9/2003	Bailey
D428,719 S	8/2000	Fick et al.	6,616,099 B2	9/2003	Sankrithi
D430,739 S	9/2000	Palumbo	D480,567 S	10/2003	Ricci
D430,741 S	9/2000	Natuzzi et al.	D480,882 S	10/2003	Ricci
D430,742 S	9/2000	Lewis et al.	D480,883 S	10/2003	Williams et al.
D431,117 S	9/2000	Hutton	6,629,732 B1	10/2003	Ursel et al.
6,119,980 A	9/2000	Ferry	6,631,954 B2	10/2003	Amorin et al.
D431,378 S	10/2000	Natuzzi et al.	D481,873 S	11/2003	Velten et al.
D431,916 S	10/2000	Natuzzi et al.	D482,535 S	11/2003	Williams et al.
D431,917 S	10/2000	Natuzzi et al.	6,641,214 B2	11/2003	Veneruso
D434,233 S	11/2000	Frankel et al.	6,644,593 B2	11/2003	Lambiaso
6,155,519 A	12/2000	Rajasingham	6,648,395 B2	11/2003	Hoshino
6,170,786 B1	1/2001	Park et al.	D482,881 S	12/2003	Murphy
6,173,921 B1 *	1/2001	Neumann et al. 244/118.6	D482,882 S	12/2003	Murphy
RE37,043 E	2/2001	Yamazaki	D483,191 S	12/2003	Murphy
D437,495 S	2/2001	Gibson	6,663,173 B1	12/2003	Corfitsen
D439,063 S *	3/2001	Round et al. D6/356	6,669,141 B2	12/2003	Schmidt-Schaeffer
D439,420 S	3/2001	Natuzzi et al.	6,669,143 B1	12/2003	Johnson
D439,425 S *	3/2001	Park et al. D6/356	D485,445 S	1/2004	De Maina
D439,752 S	4/2001	Natuzzi et al.	D485,446 S	1/2004	Stulik
D439,753 S	4/2001	Natuzzi et al.	D485,687 S	1/2004	Natuzzi
D440,056 S	4/2001	Natuzzi et al.	D486,652 S	2/2004	Nemeth
D440,062 S	4/2001	Tsay	6,688,691 B2	2/2004	Marechal et al.
6,209,956 B1	4/2001	Dryburgh et al.	6,692,069 B2	2/2004	Beroth et al.
D441,552 S	5/2001	McCarthy	6,698,836 B1	3/2004	Veneruso
D442,376 S	5/2001	Norman	D487,981 S	4/2004	Ludeke et al.
D442,787 S	5/2001	Hutton	D487,985 S	4/2004	Yu
6,227,489 B1	5/2001	Kitamoto et al.	D488,628 S	4/2004	Natuzzi
6,237,872 B1	5/2001	Bar-Levav	D488,629 S	4/2004	Giasson
6,237,994 B1	5/2001	Bentley et al.	D489,188 S	5/2004	Ricci
D443,990 S *	6/2001	Beroth D6/356	D489,908 S	5/2004	Ricci
D444,007 S	6/2001	Wu	6,729,689 B2	5/2004	Habedank

US D583,579 S

Page 4

6,739,552	B2	5/2004	Sankrithi et al.	FR	647809	12/1928
6,739,651	B1	5/2004	Barefoot	FR	987559	8/1951
6,742,842	B2	6/2004	Dowty	FR	2761833	10/1998
D493,294	S *	7/2004	Newson D6/356	GB	1220768 A	1/1971
D501,095	S *	1/2005	Zydko Hoyas et al. D6/335	GB	1278501	6/1972
D505,796	S *	6/2005	Johnson D6/356	GB	1337586 A	11/1973
D510,816	S *	10/2005	Lee D6/356	GB	1354190	5/1974
7,083,235	B2 *	8/2006	Grimm et al. 297/423.21	GB	1354190 A	5/1974
7,108,326	B2 *	9/2006	Schurg 297/354.12	GB	1436968 A	5/1976
7,156,462	B2	1/2007	Verny et al.	GB	2078504 A	1/1982
7,178,871	B1	2/2007	Round et al.	GB	2027229	11/1992
D558,993	S *	1/2008	Saint-Jalmes et al. D6/357	GB	2050442	9/1995
2001/0000639	A1	5/2001	Park et al.	GB	2050443	9/1995
2001/0001526	A1	5/2001	Moon et al.	GB	2050444	9/1995
2001/0003962	A1	6/2001	Park et al.	GB	2295962	6/1996
2001/0015566	A1	8/2001	Park et al.	GB	2070694	5/1997
2001/0052722	A1	12/2001	Amorin et al.	GB	2073659	4/1998
2002/0017810	A1	2/2002	Dryburgh et al.	GB	2074059	4/1998
2002/0033432	A1	3/2002	Mikosza	GB	2326824	* 1/1999
2002/0070314	A1	6/2002	Schmidt-Schaeffer	GB	2083667	5/1999
2002/0079730	A1	6/2002	Schuhmacher et al.	GB	2083668	5/1999
2002/0096921	A1	7/2002	Pejathaya	GB	2093450	5/1999
2002/0113478	A1	8/2002	Kasahara	GB	2331237	5/1999
2002/0140270	A1	10/2002	Hoshino	GB	2088223	11/1999
2002/0145324	A1	10/2002	Metzler et al.	GB	2097752	6/2000
2002/0167211	A1	11/2002	Nishi Yama	GB	2355180	4/2001
2003/0025371	A1	2/2003	Veneruso	GB	2362095	* 11/2001
2003/0067202	A1	4/2003	Alampi	GB	2396103 A	6/2004
2003/0075964	A1	4/2003	Piaulet et al.	GB	2405790 A	3/2005
2003/0085597	A1	5/2003	Ludeke et al.	GB	2405791 A	3/2005
2004/0035980	A1	2/2004	McDonnell	GB	2406269 A	3/2005
2004/0036336	A1	2/2004	Veneruso	GB	2412310 A	9/2005
2004/0041452	A1	3/2004	Williams	HK	9811274	10/1998
2004/0051363	A1	3/2004	Wagner et al.	HK	1053961	11/2003
2004/0066067	A1	4/2004	Wagner et al.	JP	52076020 U	6/1977
2004/0080201	A1	4/2004	Verny et al.	JP	60188646 U	9/1985
2004/0135413	A1	7/2004	Zund	JP	59002634 U	1/1994
2006/0097553	A1 *	5/2006	Spurlock et al. 297/248	JP	07148047 A	6/1995
				JP	08-258796 A	10/1996
				JP	8258796 A	10/1996
				JP	10236397 A	9/1998
				JP	11152094 A	6/1999
				JP	1049843	9/1999
				JP	11301323 A	11/1999
				JP	1064101	3/2000
				JP	1074748	6/2000
				JP	2001-17260	1/2001
				JP	1095557	1/2001
				JP	2001-087074	4/2001
				JP	2001-245740 A	9/2001
				JP	1143254	6/2002
				NZ	27452	9/1995
				NZ	29003	9/1995
				NZ	28979	5/1997
				NZ	29691	4/1998
				NZ	511409	10/1998
				NZ	297049	4/1999
				NZ	400198	5/1999
				SG	9701368-4	6/1997
				SG	9800090-4	3/1998
				SG	9905358-9	12/1999
				SG	200102081-7	5/2001
				SG	200104928-7	9/2001
				SG	D2001/988 F	10/2001
				SG	D2001/1650 I	5/2003
				SG	D2003/1116 B	11/2003
				WO	WO 96/18537	* 6/1996
				WO	WO 99/07574	2/1999
				WO	WO 00/21831	* 4/2000
				WO	WO 00/48862	8/2000
				WO	WO 02/024527	3/2002
				WO	WO 02/32266	4/2002
				WO	WO 02/012015	5/2002

FOREIGN PATENT DOCUMENTS

AU	133396	S	4/1998			
AU	134155	S	6/1998			
AU	134442	S	7/1998			
AU	135069	S	9/1998			
AU	137052	S	4/1999			
AU	717706		8/1999			
AU	717708		8/1999			
AU	140765	S	6/2000			
AU	146970	S	3/2002			
AU	146971	S	3/2002			
AU	155761	S	6/2004			
CA	951765		6/1996			
CA	2165097		6/1996			
CA	1066406	C	5/2001			
CH	445758		10/1967			
CN	1482980	A	3/2004			
DE	2051271		4/1972			
DE	3603891	A1	10/1986			
DE	29702660		5/1997			
EP	0463757	A2	6/1991			
EP	0291894	B	11/1991			
EP	0957025	A2	11/1999			
EP	0980825		2/2000			
EP	1057725		12/2000			
EP	1057725	A2	12/2000			
EP	1097864		5/2001			
EP	1099627		5/2001			
EP	1099627	A1	5/2001			
EP	1116652		7/2001			
EP	1162138	A	12/2001			
EP	1247478	A	10/2002			
EP	1495908	A1	12/2005			

WO	WO 02/51703	7/2002
WO	WO 02/074133 A1	9/2002
WO	WO 03/013903	2/2003
WO	WO03013903	2/2003
WO	WO 02/32264	8/2003
WO	WO 98/036967	11/2003
WO	WO 06/059118	6/2006

OTHER PUBLICATIONS

<http://www.virgin-atlantic.com/en/us/whatsonboard/upperclass/cabin/index.jsp>, Apr. 6, 2007.*
<http://web.archive.org/web/20041119150329/http://www.virgin-atlantic.com/en/us/whatsonboard/upperclass/cabin/index.jsp>, Nov. 19, 2004.*
Examination Report dated Jul. 22, 2005, application No. GB0403260.3 (published as GB 2396103 A).
Search Report dated Jan. 20, 2005, application No. GB0420882.3 (published as GB 2406269 A).
Search Report dated Jan. 6, 2005, application No. GB0420872.4 (published as GB 2405790 A).
Search report dated Jan. 7, 2005, application No. GB0420901.1 (published as GB 2405791 A).

International Search Report dated Nov. 28, 2002, application No. PCT/GB02/03701.
The role of the cabin interior designer; Aircraft Technology Engineering & Maintenance-Aug./Sep. 1999.
First Revolution; Ian Dryburgh, Design Acumen, UK; Aircraft Interiors International; Sep. 2000.
The Daily Telegraph; Feb. 25, 1997.
World Engineering; a call to the bar; Jan./Feb. 1997 Issue 17.
The Times; Design in Business; A weight off high-fliers' backs; Oct. 28, 1996.
News; Design Business Week; The Journal of the Design Counsel; Oct. 25, 1996.
Aircraft Technology Dec. 1995; Hold on to your seats; pp. 46 to 54.
The Wall Street Journal Europe; 1995 Dow Jones & Company. Inc.; A Bed Aloft; Nov. 28, 1995.
Independent; Sep. 19, 1995; BA gets up to snoozing altitude again by Christian Wolmar.
Daily Mail, Sep. 19, 1995; A good flight's sleep By John Hamshire.
Notice of Opposition to Indian Patent Application No. 500/CHENP/2004 dated Jul. 25, 2007.

* cited by examiner

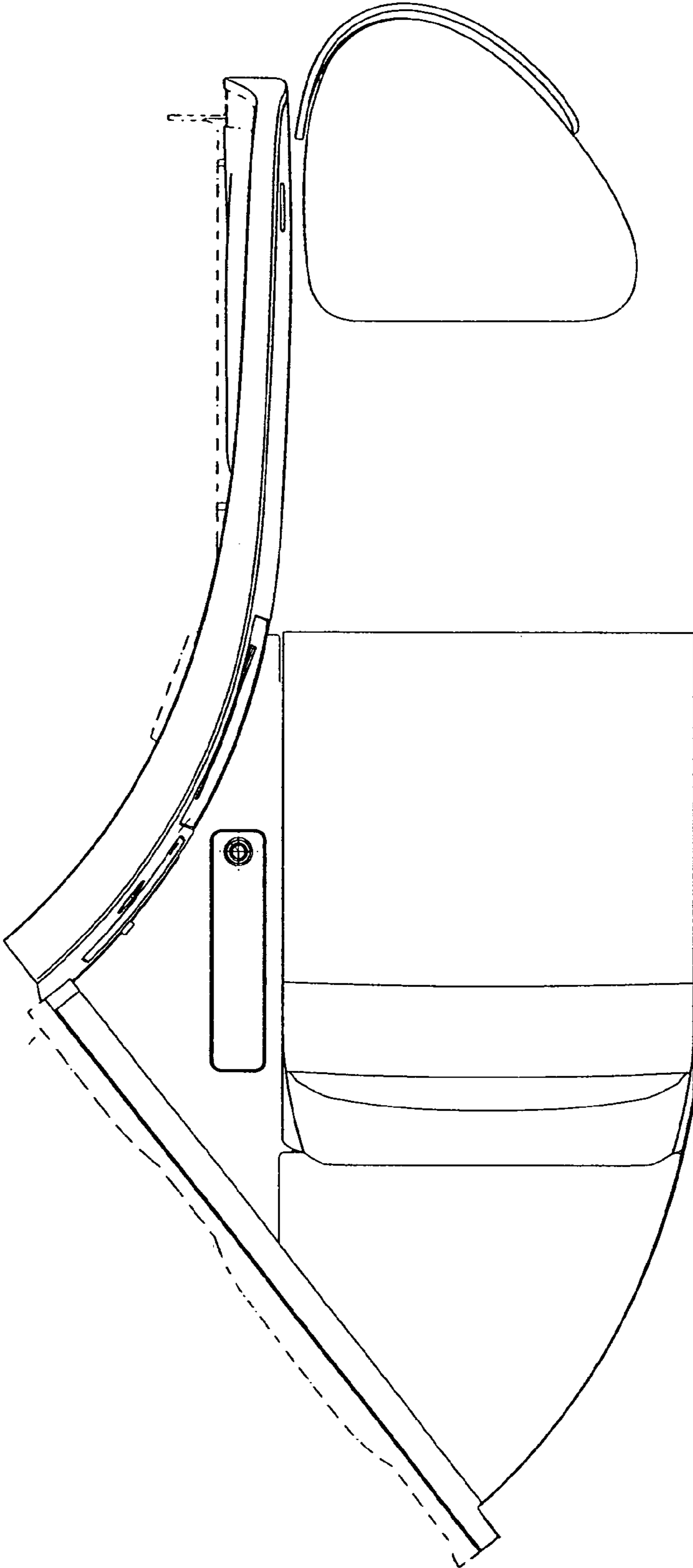


FIG. 1

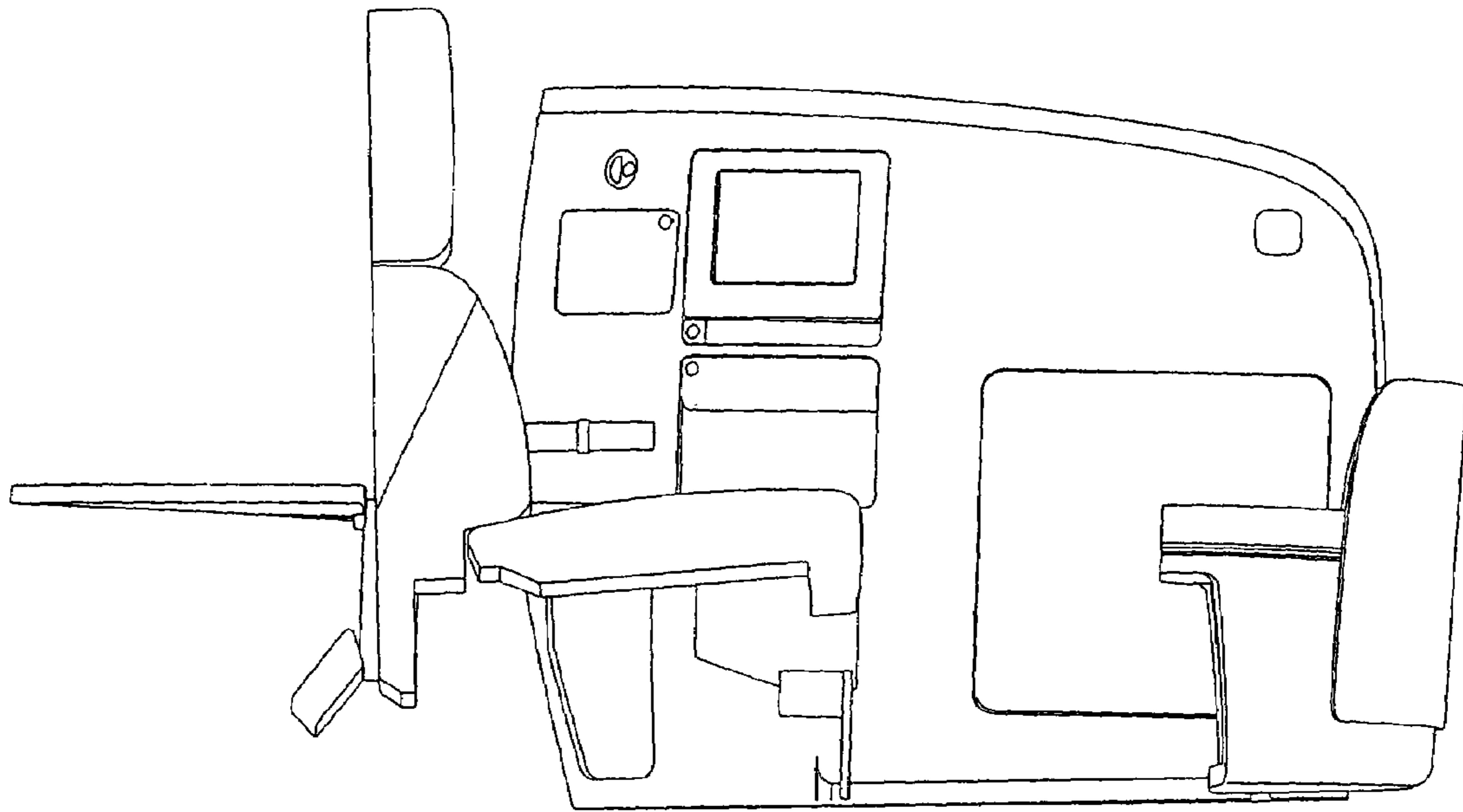


FIG. 2

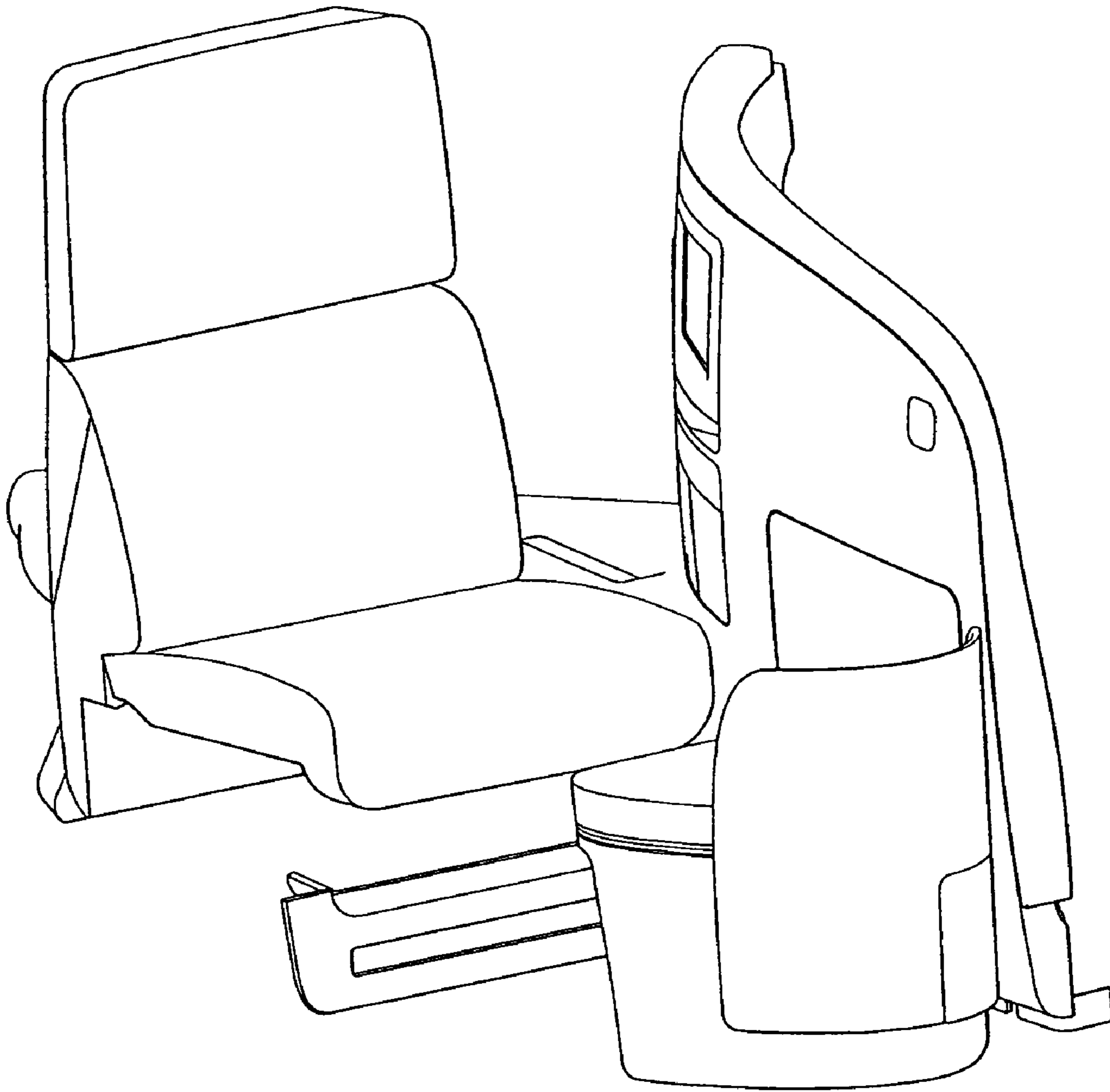


FIG. 3

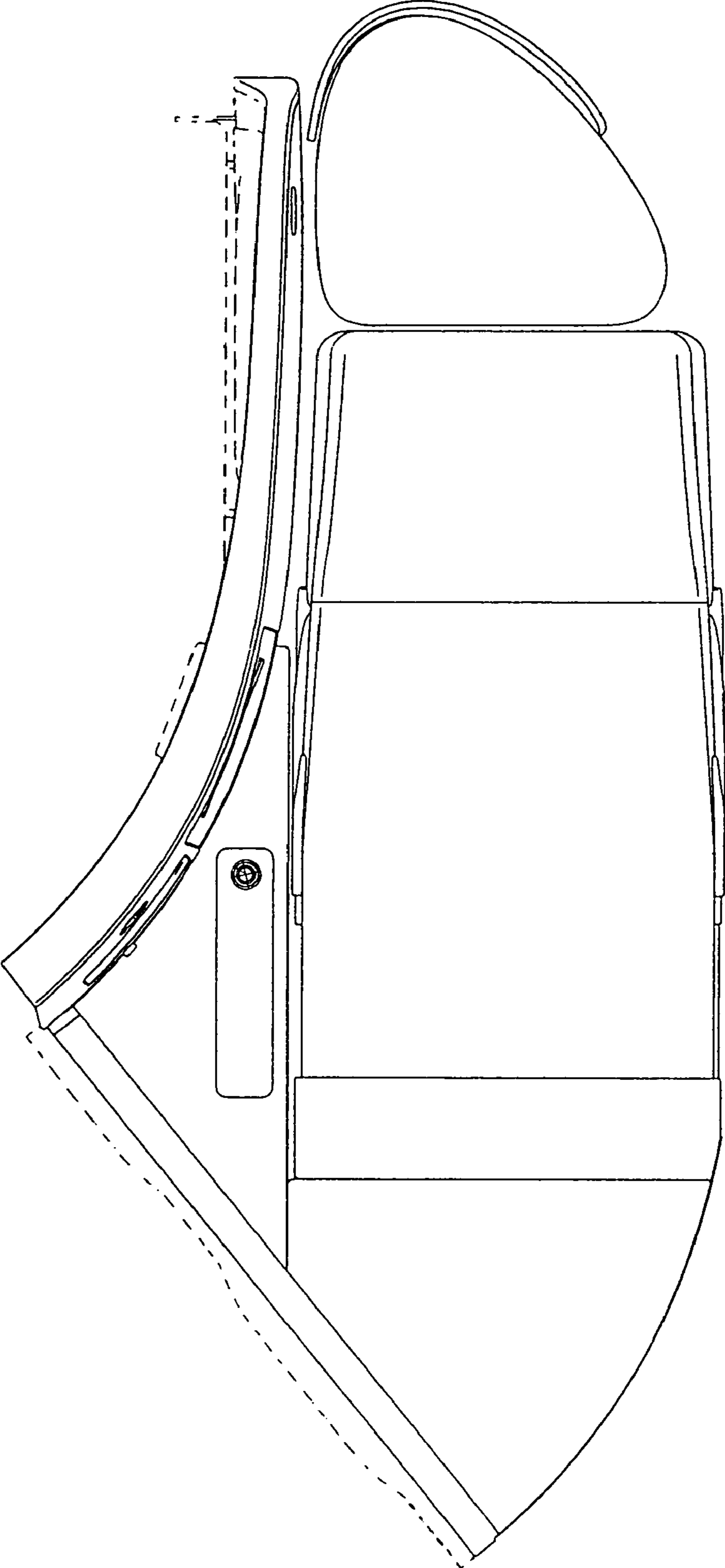


FIG. 4

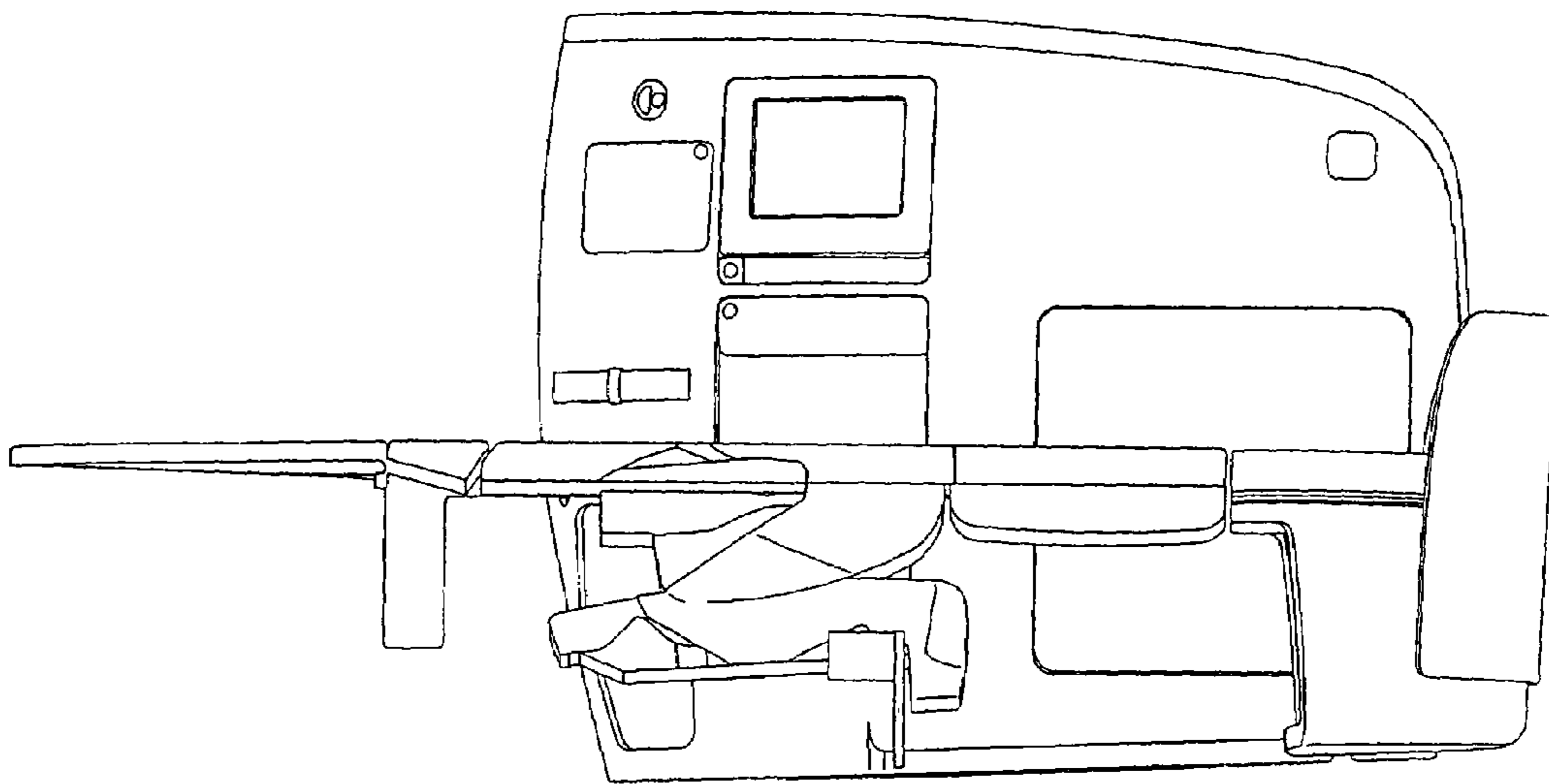


FIG. 5

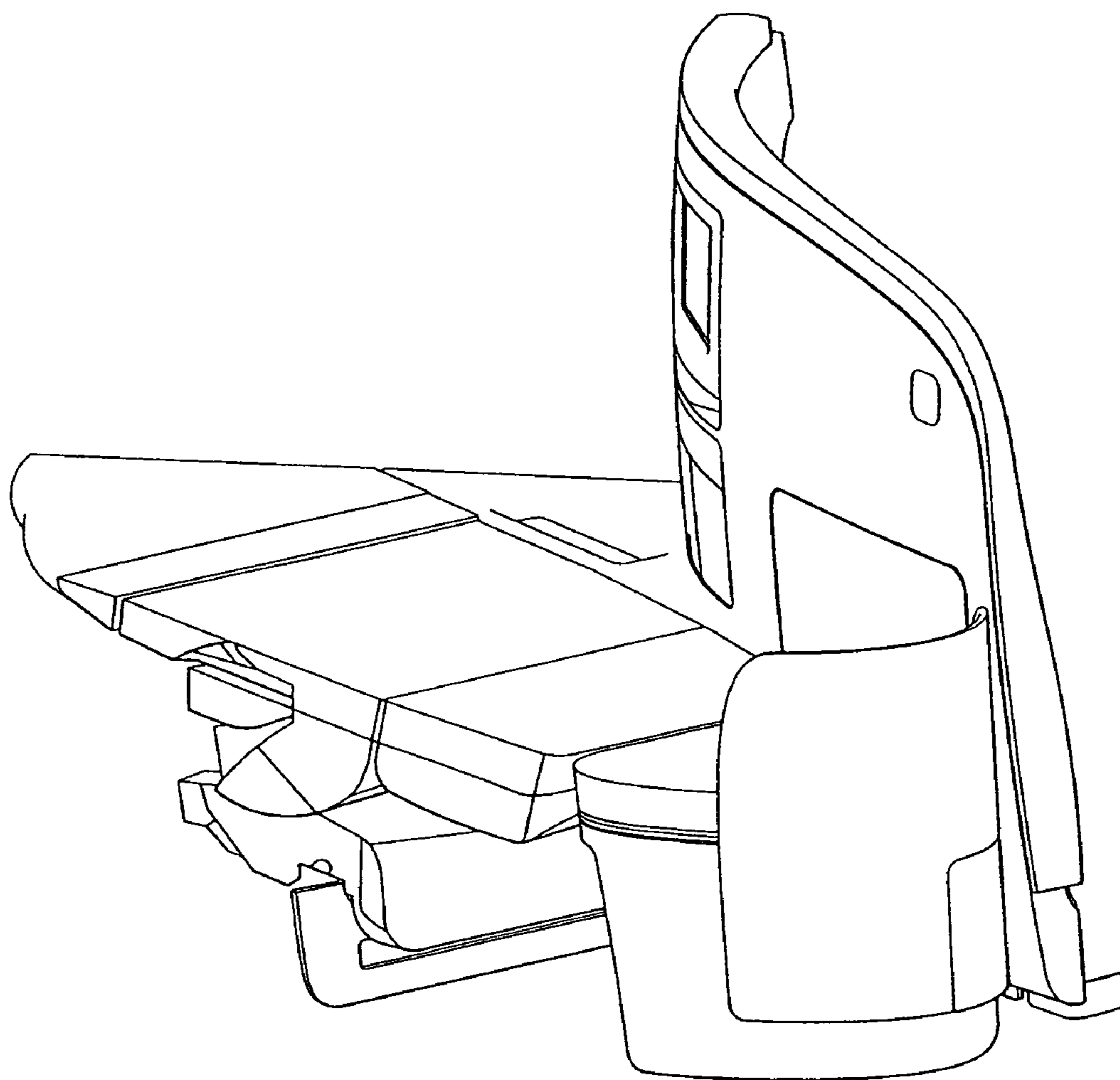


FIG. 6

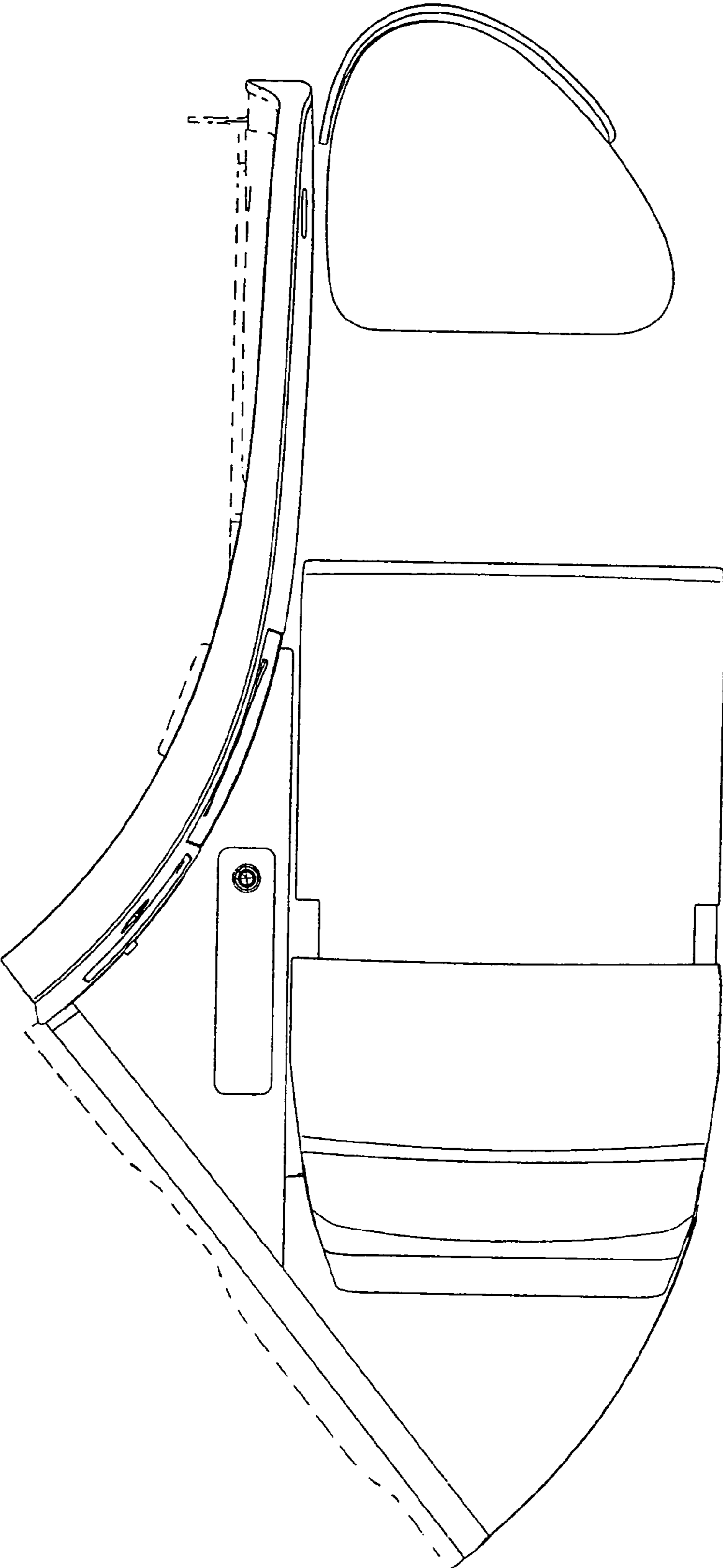


FIG. 7

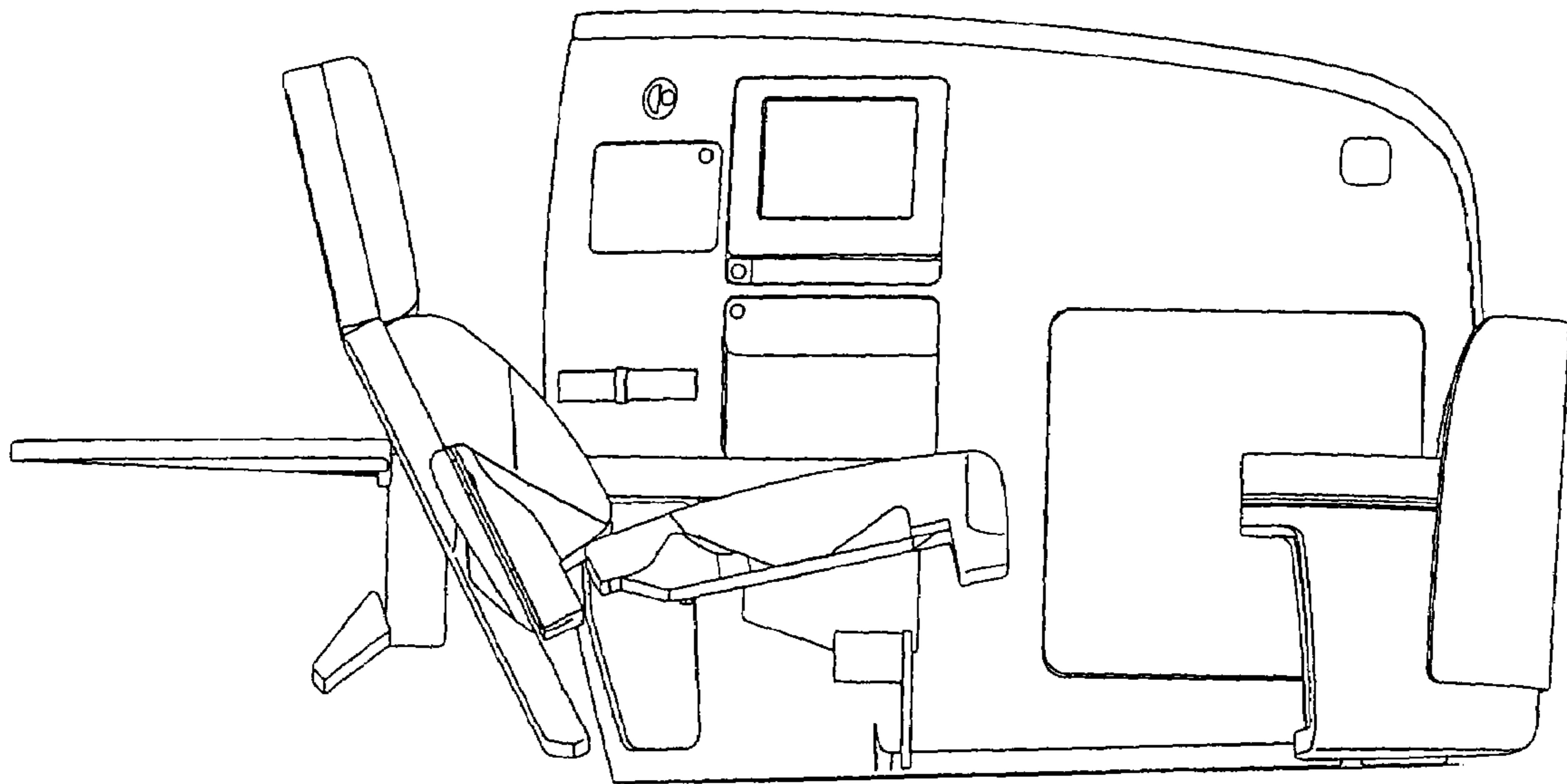


FIG.8

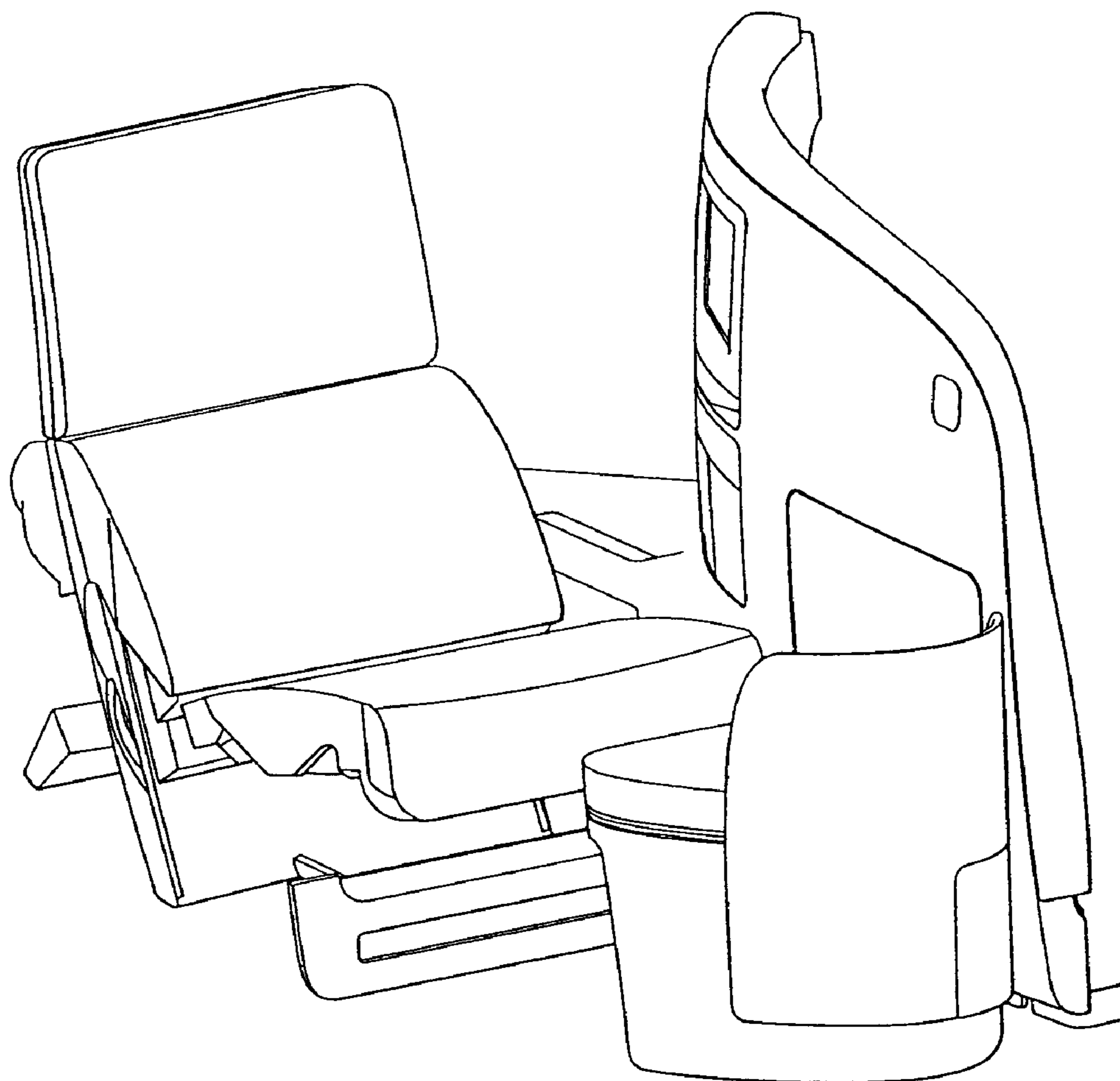


FIG. 9