



US00D583577S

(12) **United States Design Patent**
Wicha

(10) **Patent No.:** **US D583,577 S**

(45) **Date of Patent:** **** Dec. 30, 2008**

(54) **BENCH**

(75) Inventor: **Cristian Wicha**, Falls Church, VA (US)

(73) Assignee: **Becker Designed, Inc.**, Chantilly, VA (US)

(**) Term: **14 Years**

(21) Appl. No.: **29/297,892**

(22) Filed: **Nov. 21, 2007**

(51) **LOC (8) Cl.** **06-01**

(52) **U.S. Cl.** **D6/349**

(58) **Field of Classification Search** D6/334,
D6/349, 355, 357, 367, 368, 370, 374-381,
D6/500-502; 297/175, 232, 233, 283.2,
297/283.3, 445.1, 448.1, 452.12, 452.38,
297/452.48, 461, 462; 5/12.1, 12.2

See application file for complete search history.

(56) **References Cited**

U.S. PATENT DOCUMENTS

D215,430 S *	9/1969	Suzuki	D6/349
D396,358 S *	7/1998	Geier	D6/349
D429,904 S *	8/2000	Foussianes	D6/349
D438,024 S *	2/2001	Catalano et al.	D6/349
D481,210 S *	10/2003	Chipman	D6/349
D481,211 S *	10/2003	Chipman	D6/349
D503,552 S *	4/2005	Messier	D6/349

* cited by examiner

Primary Examiner—Sandra Snapp
(74) *Attorney, Agent, or Firm*—Design IP

(57) **CLAIM**

The ornamental design for a bench, as shown and described.

DESCRIPTION

FIG. 1 is a perspective view of a first embodiment of a bench showing my new design;

FIG. 2 is a front elevation view thereof;

FIG. 3 is a top plan view thereof;

FIG. 4 is a left side elevation view thereof, the right side elevation view being a mirror image thereof;

FIG. 5 is a perspective view of a second embodiment of a bench showing my new design, which is wider and includes more slats than the embodiment shown in FIGS. 1-4, but is otherwise identical thereto;

FIG. 6 is a perspective view of a third embodiment of a bench showing my new design;

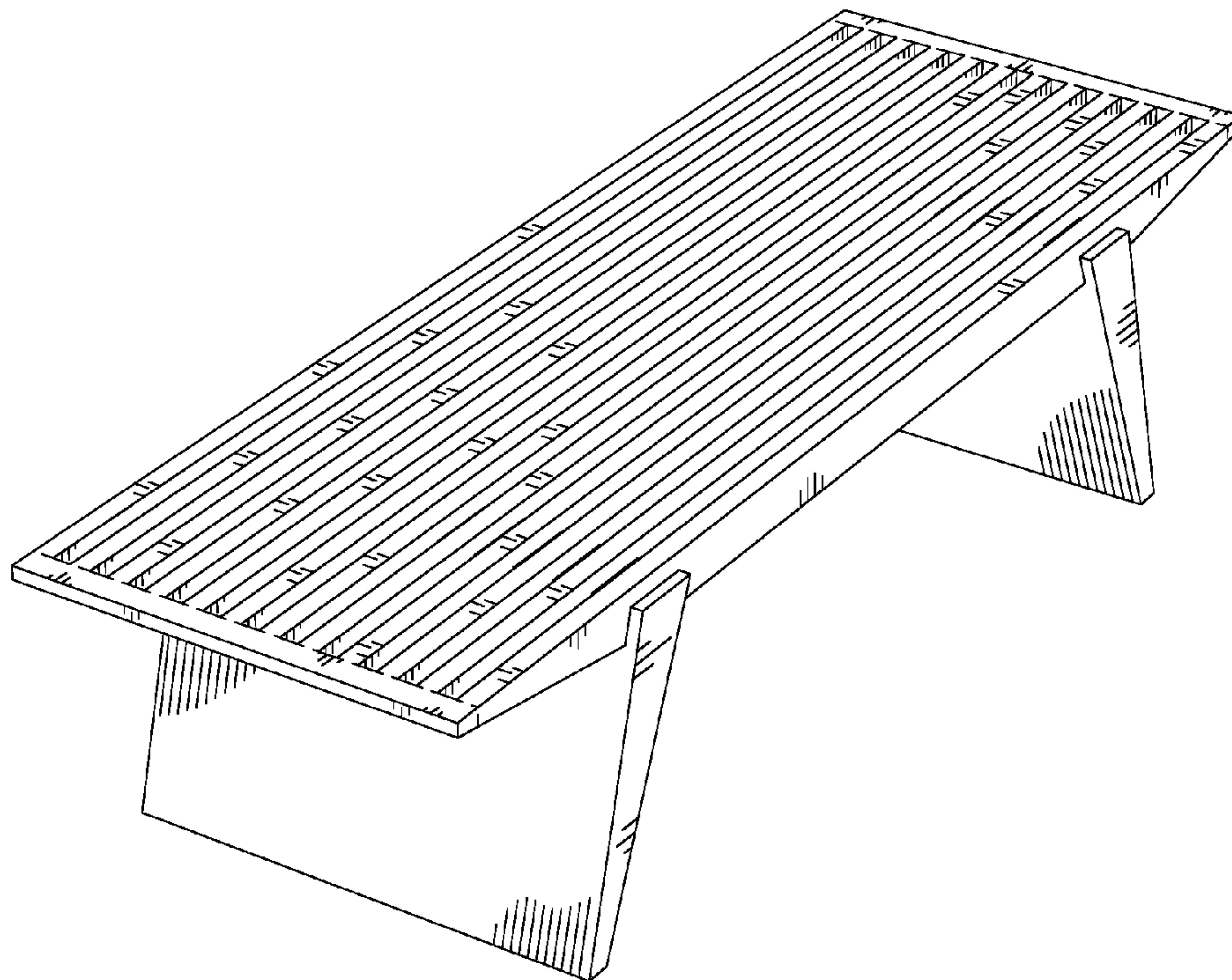
FIG. 7 is a front elevation view thereof;

FIG. 8 is a top plan view thereof; and,

FIG. 9 is a left side elevation view thereof, the right side elevation view being a mirror image thereof.

The broken lines shown in FIGS. 1, 3-6, 8 and 9 are included for the purpose of illustrating environmental elements only and form no part of the claimed design. The bottom view is omitted and forms no part of the claimed design.

1 Claim, 9 Drawing Sheets



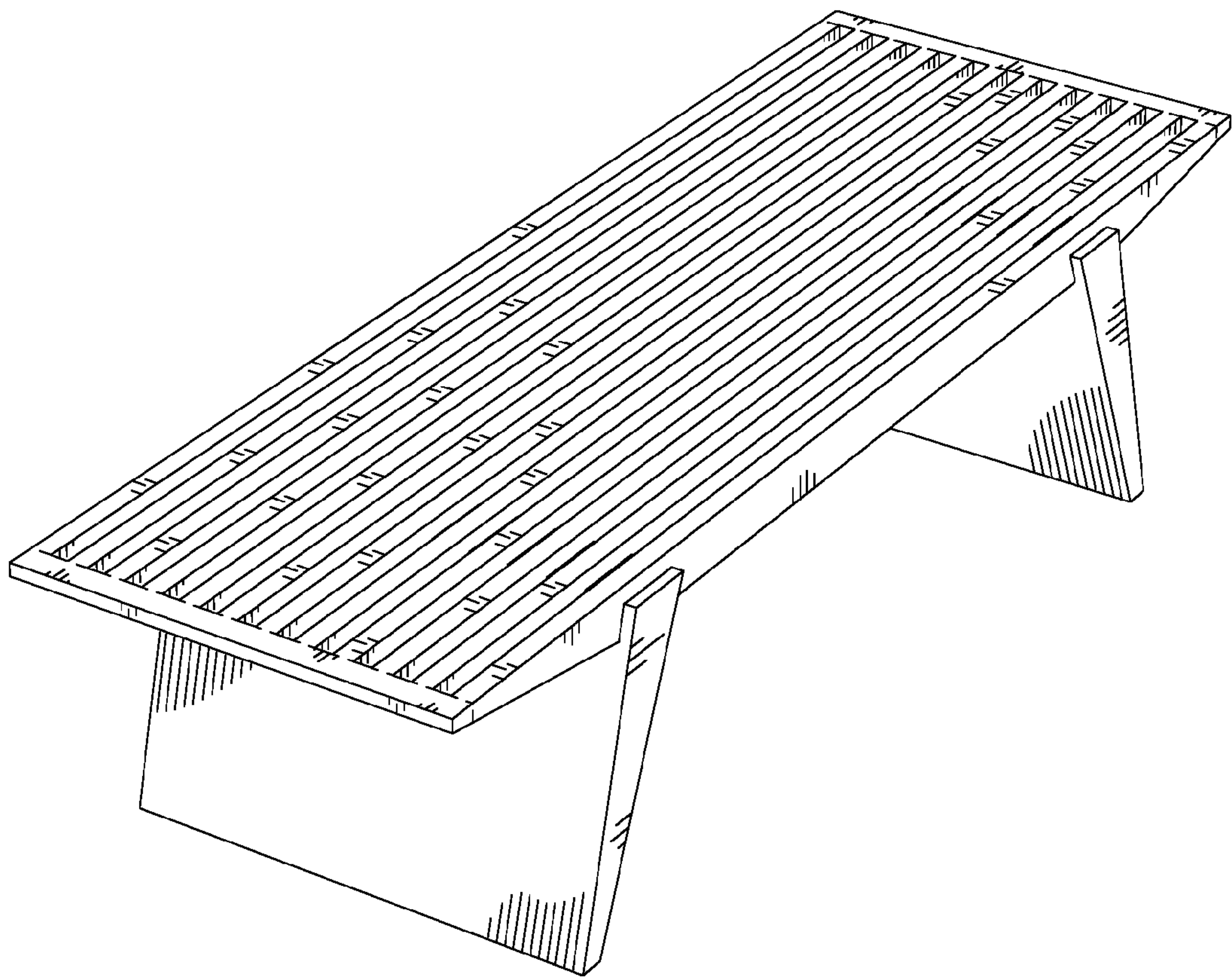


Fig. 1

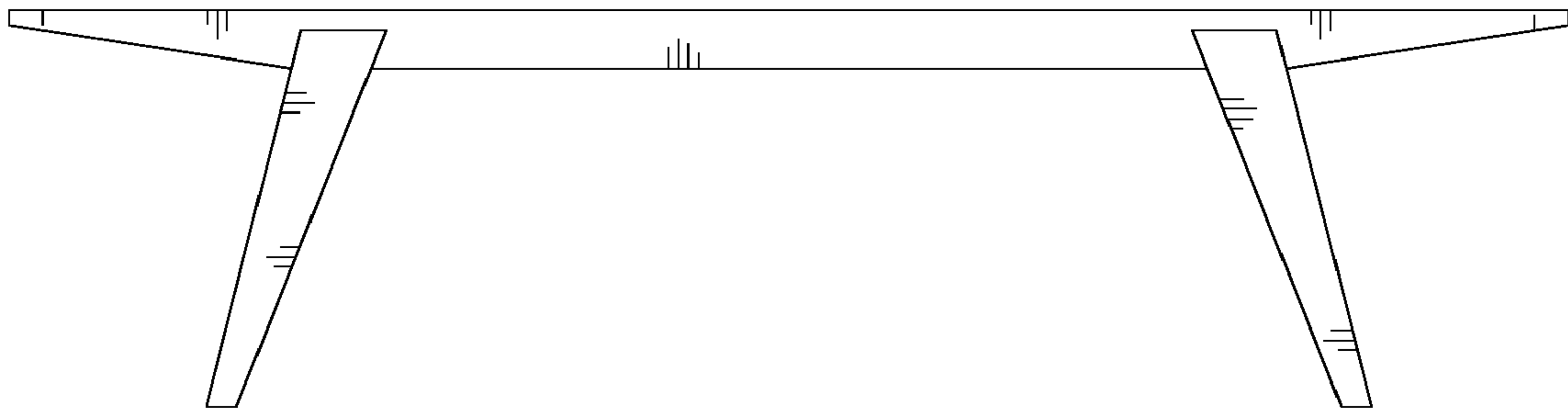


Fig. 2

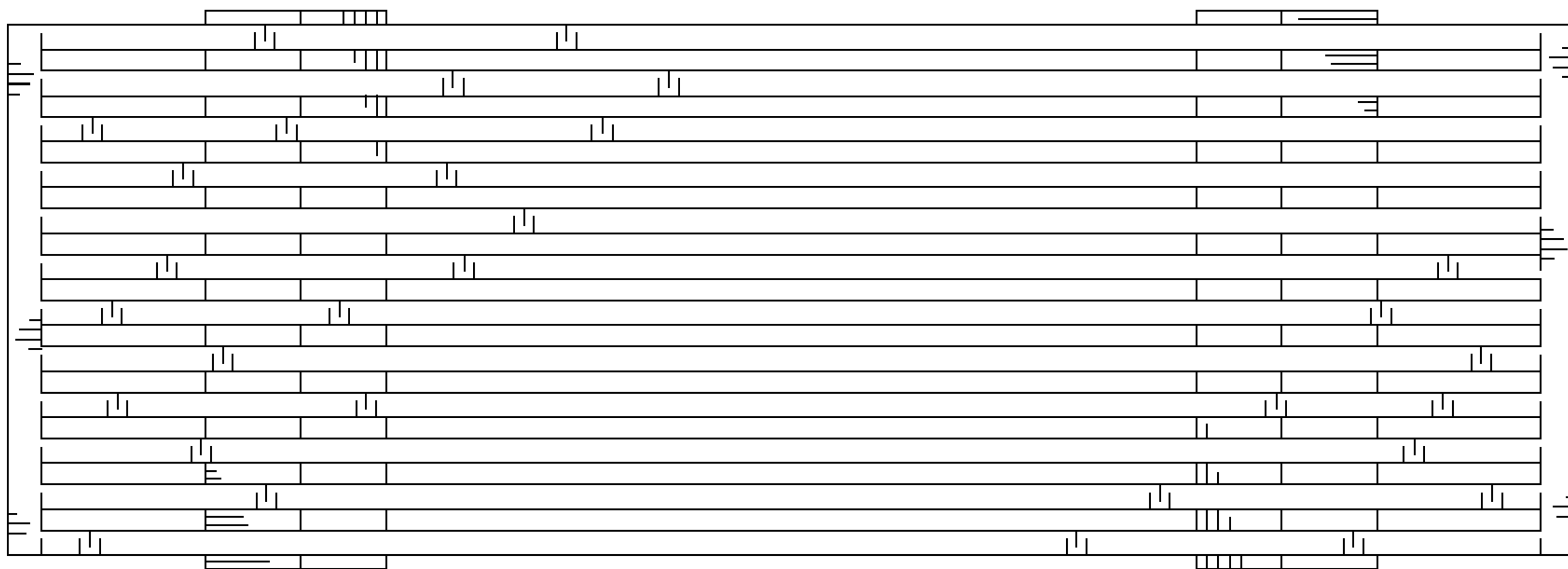


Fig. 3

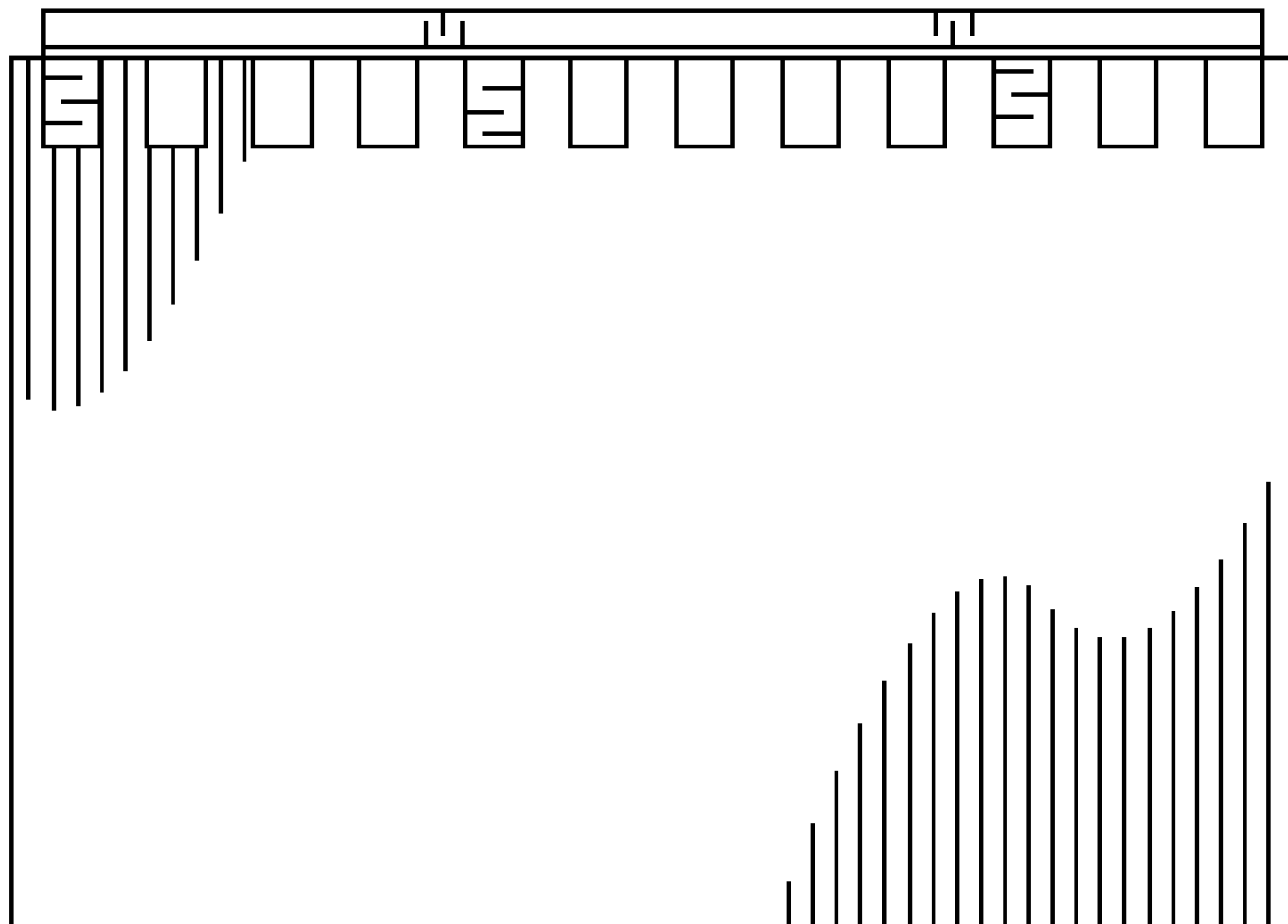


Fig. 4

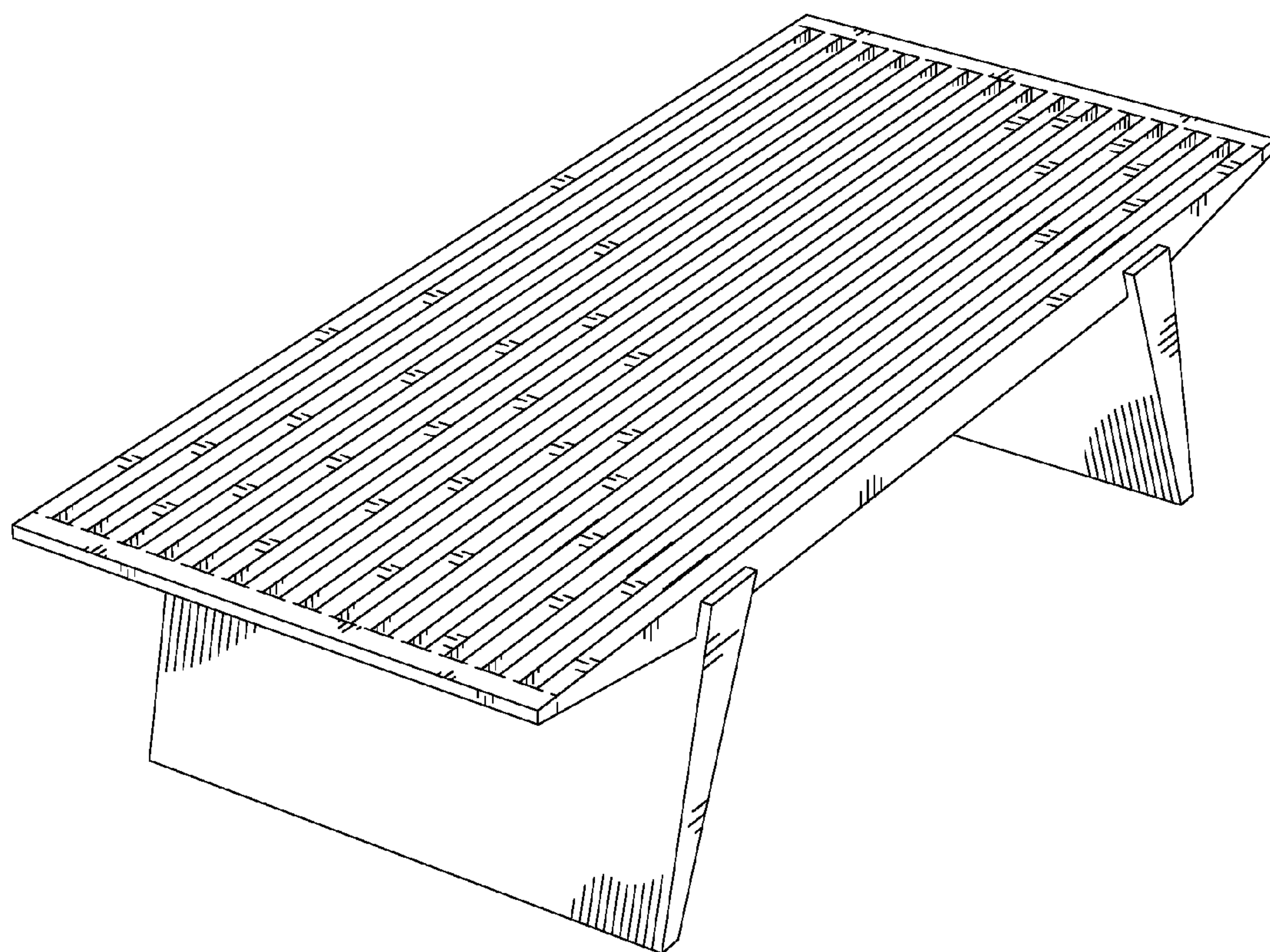


Fig. 5

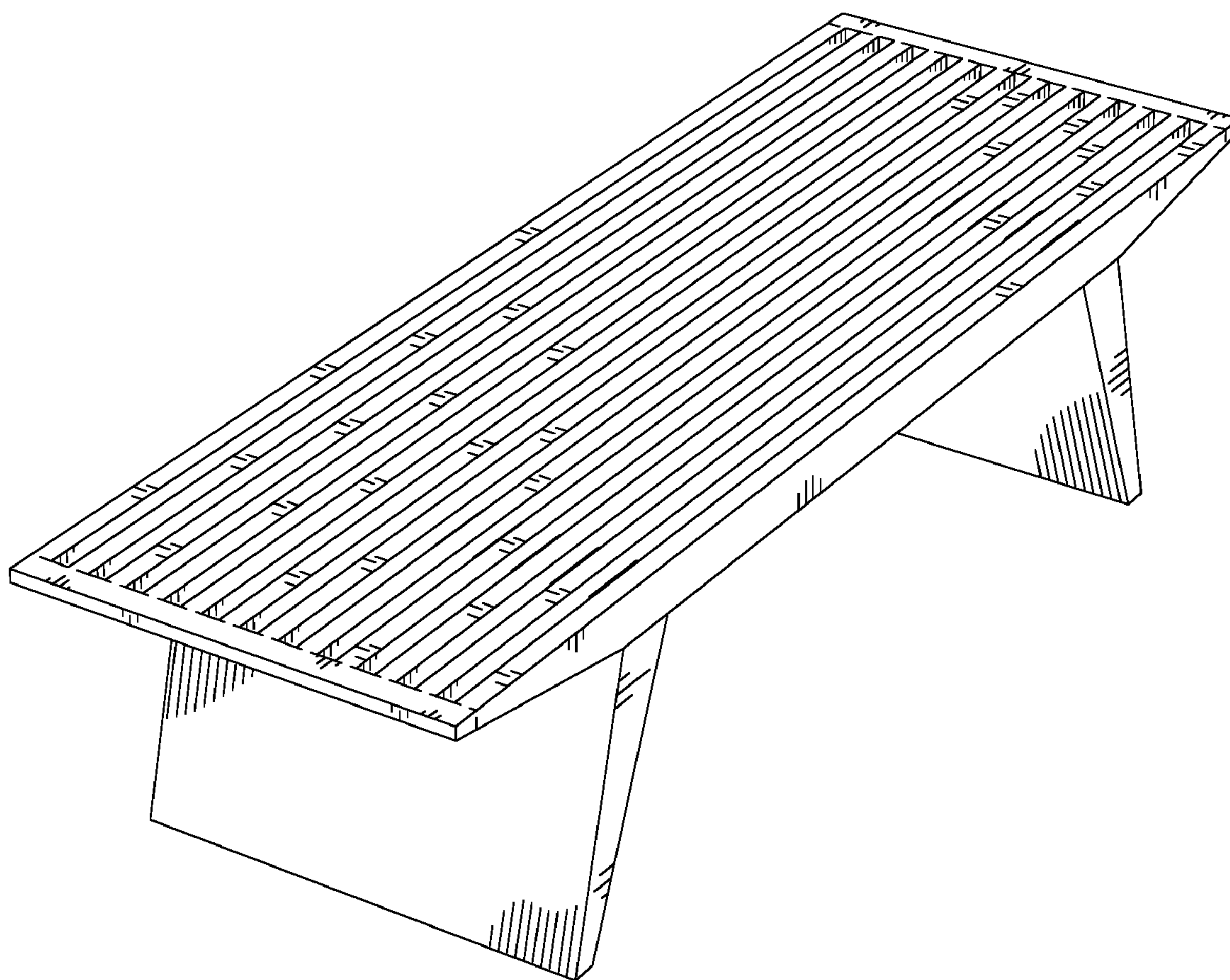


Fig. 6

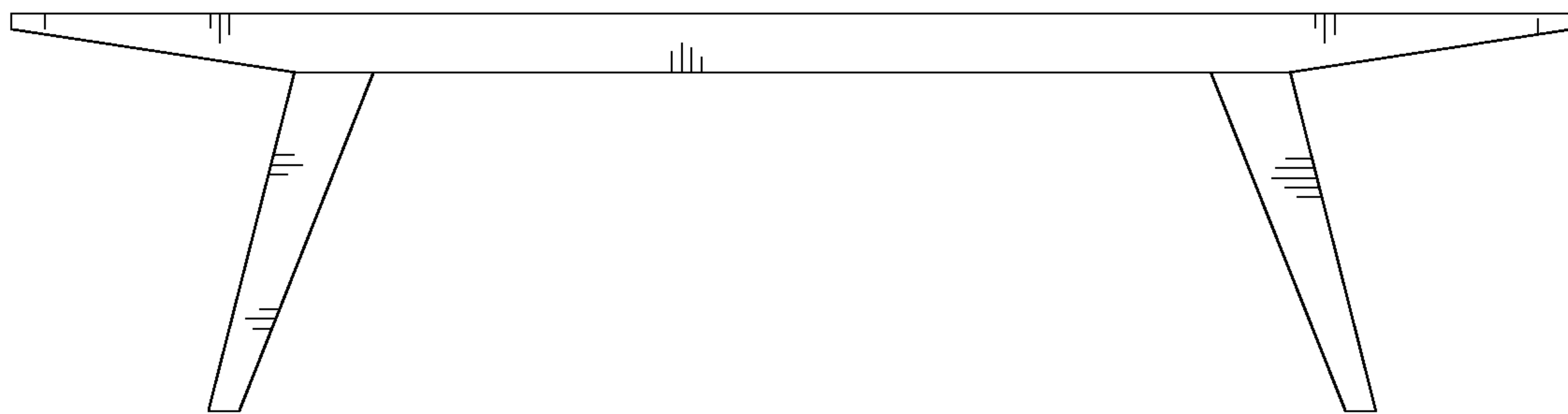


Fig. 7

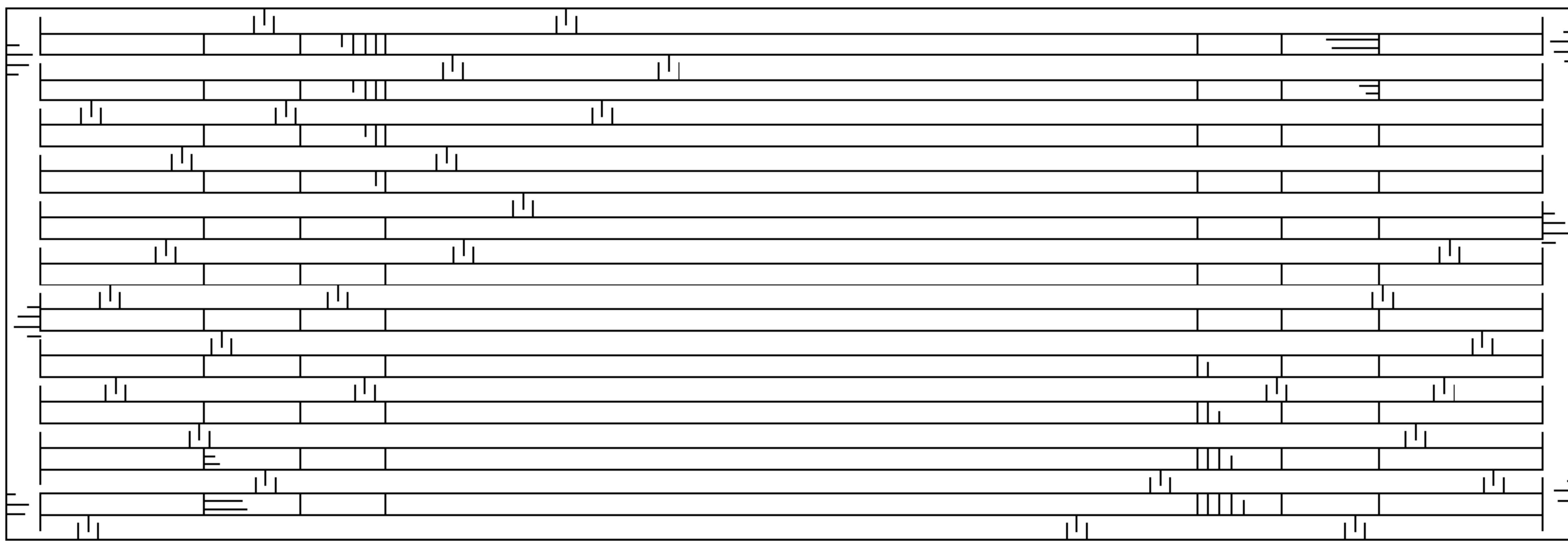


Fig. 8

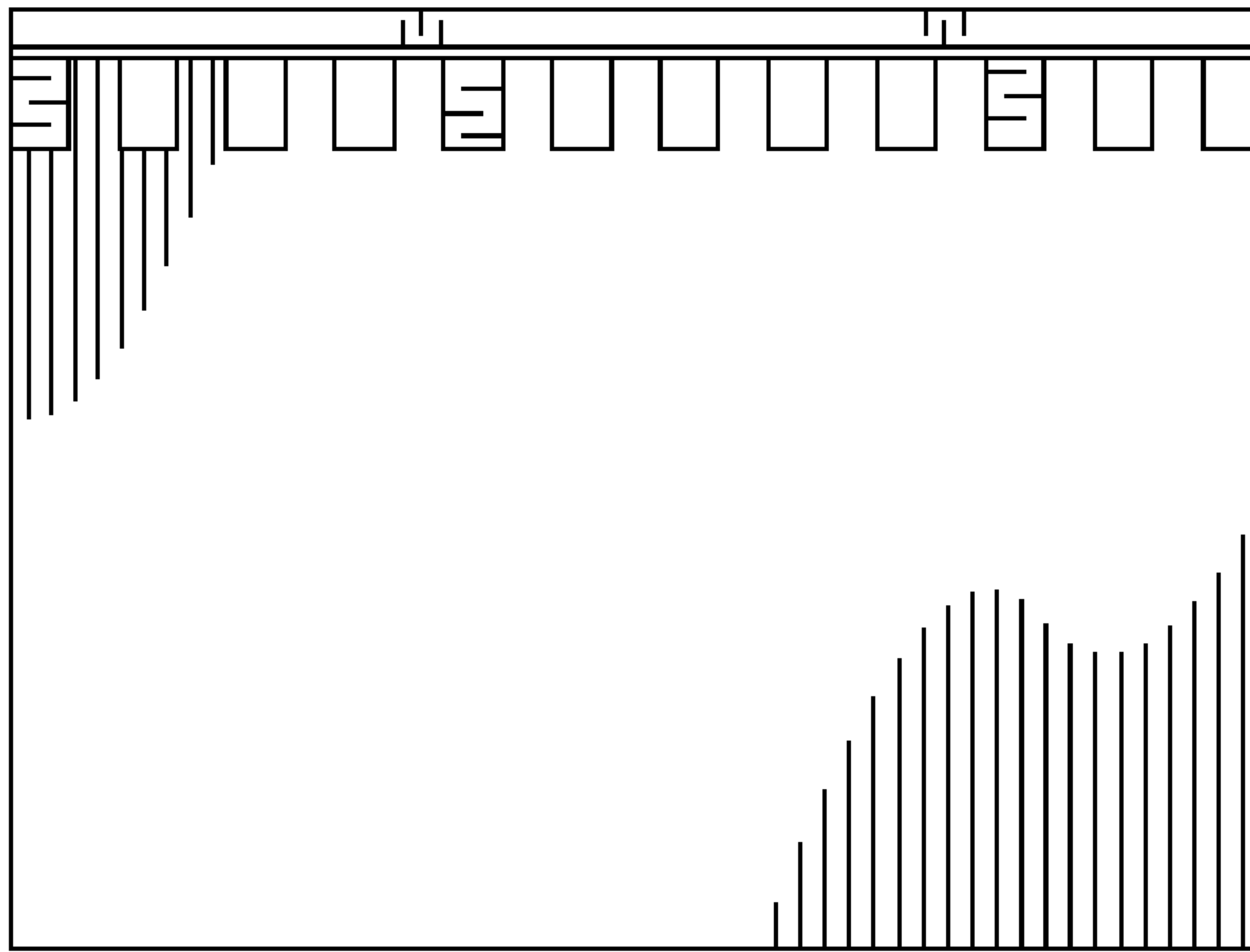


Fig. 9

UNITED STATES PATENT AND TRADEMARK OFFICE
CERTIFICATE OF CORRECTION

PATENT NO. : Des. 583,577 S
APPLICATION NO. : 29/297892
DATED : December 30, 2008
INVENTOR(S) : Christian Wicha

Page 1 of 1

It is certified that error appears in the above-identified patent and that said Letters Patent is hereby corrected as shown below:

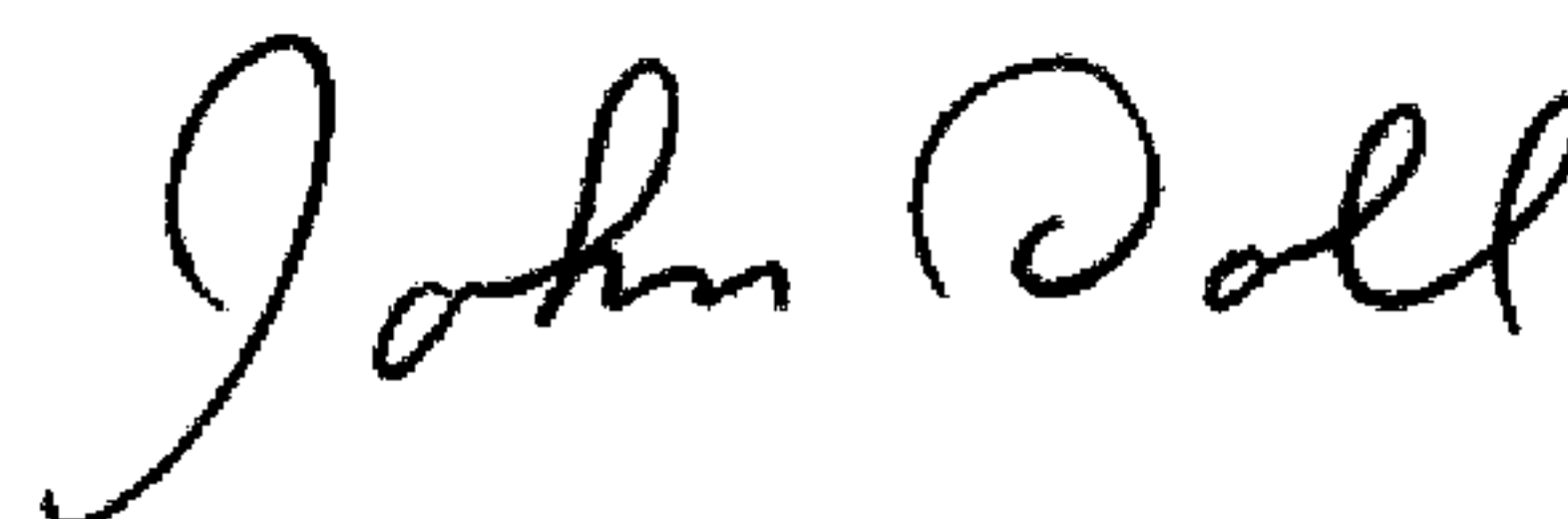
Title page,

Item [57], DESCRIPTION, replace “FIG. 5 is a perspective view of a second embodiment of a bench showing my new design, which is wider and includes more slats than the embodiment shown in FIGS. 1-4, but is otherwise identical thereto;” with “FIG. 5 is a perspective view of a second embodiment of a bench showing my new design, which is wider and includes more slats than the embodiment shown in FIGS. 1-4, but is otherwise identical thereto;”.

Item [57], DESCRIPTION, replace “FIG. 8 is a top plan view thereof; and,” with “FIG. 8 is a top plan view thereof;”.

Signed and Sealed this

Third Day of March, 2009



JOHN DOLL

Acting Director of the United States Patent and Trademark Office