



US00D583576S

(12) **United States Design Patent**  
**Tran**

(10) **Patent No.:** **US D583,576 S**

(45) **Date of Patent:** **\*\* Dec. 30, 2008**

(54) **PEDICURE CHAIR**

(76) Inventor: **Minh Sang Tran**, 145 Sheldon Drive,  
Cambridge, Ontario (CA)

(\*\*) Term: **14 Years**

(21) Appl. No.: **29/319,651**

(22) Filed: **Jun. 12, 2008**

(51) **LOC (8) Cl.** ..... **06-01**

(52) **U.S. Cl.** ..... **D6/336**

(58) **Field of Classification Search** ..... D6/334–338,  
D6/349, 355, 361, 368–370, 376, 379–381,  
D6/492, 500–502; 297/16.1, 42, 94, 135,  
297/175, 232, 233, 350, 351, 445.1, 448.1,  
297/448.2, 451.9; 5/12.1, 12.2  
See application file for complete search history.

(56) **References Cited**

**U.S. PATENT DOCUMENTS**

D288,729 S *	3/1987	Meyerovich et al.	.....	D28/61
D342,165 S *	12/1993	Marshall et al.	.....	D6/335
D412,600 S *	8/1999	Oh et al.	.....	D28/56
D424,819 S *	5/2000	Galati et al.	.....	D6/336
D429,379 S *	8/2000	Kim	.....	D28/56
D429,380 S	8/2000	Fontier et al.		
D434,916 S	12/2000	Galati, Jr. et al.		
D435,937 S *	1/2001	Back et al.	.....	D28/61
D454,705 S *	3/2002	Long et al.	.....	D6/336
D455,017 S	4/2002	Tran		
D455,566 S *	4/2002	Park	.....	D6/336
D456,154 S	4/2002	Huynh et al.		
D457,018 S	5/2002	Park		
D472,720 S *	4/2003	Cheng	.....	D6/335
D479,919 S *	9/2003	Genelli et al.	.....	D6/336
D498,599 S	11/2004	Luong		
D504,783 S *	5/2005	Park	.....	D6/336
D505,021 S	5/2005	Kim		
D520,791 S *	5/2006	Solowiej	.....	D6/550

D526,505 S	8/2006	Gruenwald et al.		
D541,060 S	4/2007	Fugate et al.		
D549,876 S	8/2007	Le		
D549,999 S	9/2007	Fugate et al.		
D556,480 S	12/2007	Tran		
D561,903 S	2/2008	Ton		
D562,575 S	2/2008	Le		
D566,407 S *	4/2008	Gay	.....	D6/336
D568,485 S *	5/2008	Ton	.....	D24/204
D571,565 S *	6/2008	Cheng	.....	D6/336
D571,961 S *	6/2008	Nguyen	.....	D28/56
D576,806 S *	9/2008	Le	.....	D6/336
D576,807 S *	9/2008	Le	.....	D6/336
2006/0242760 A1	11/2006	Chao		
2007/0226896 A1	10/2007	Fugate et al.		
2007/0226897 A1	10/2007	Fugate		

\* cited by examiner

*Primary Examiner*—Sandra Snapp  
(74) *Attorney, Agent, or Firm*—Jones, Walker, Waechler,  
Poitevent, Carrere & Denegre, LLP

(57) **CLAIM**

I claim the ornamental design for a pedicure chair, as shown and described.

**DESCRIPTION**

FIG. 1 is a front perspective view of a chair embodying the present invention;

FIG. 2 is a rear perspective view of the chair of FIG. 1;

FIG. 3 is a side view of the chair of FIG. 1;

FIG. 4 is an alternate side view of the chair of FIG. 1;

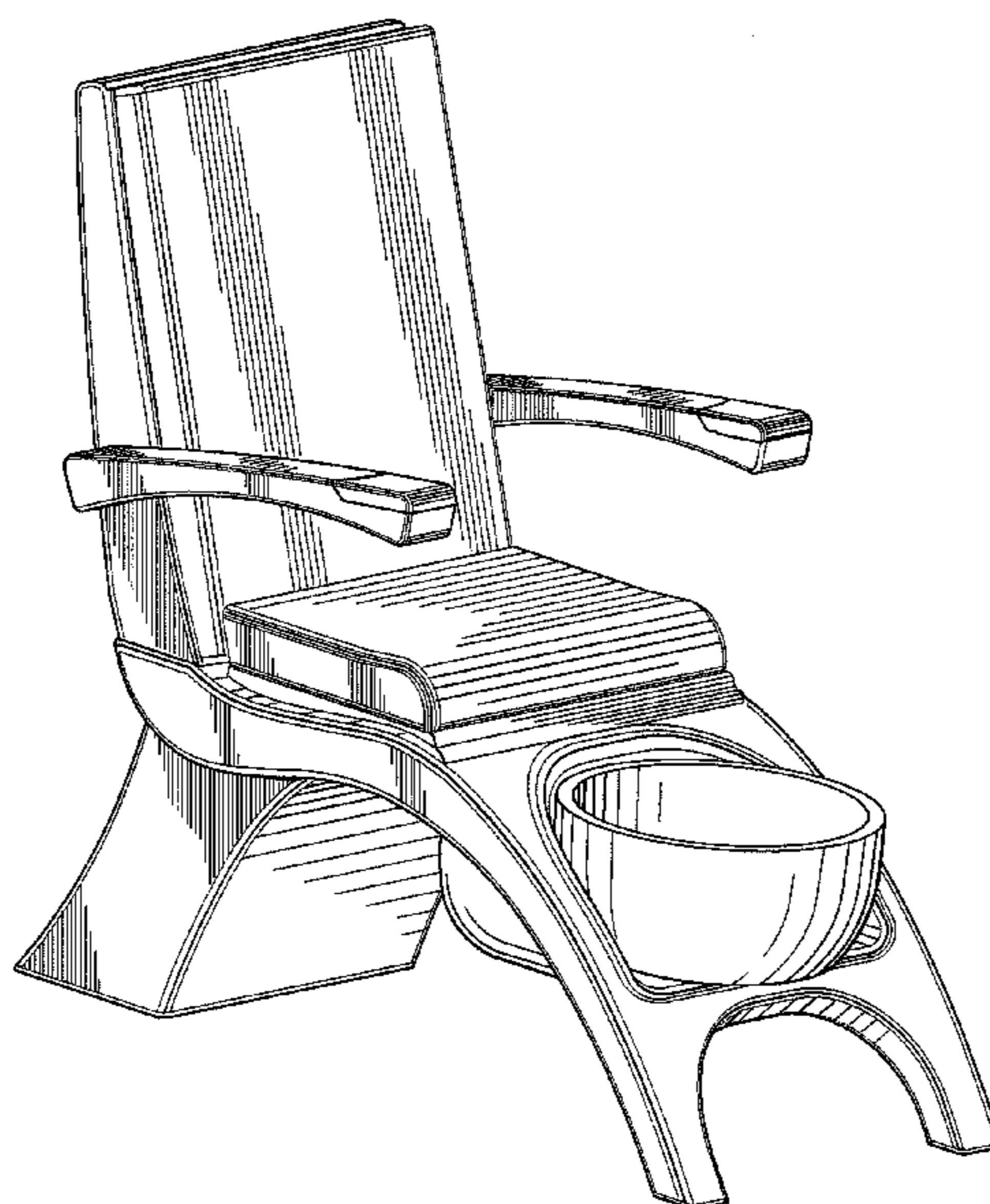
FIG. 5 is a bottom view of the chair of FIG. 1;

FIG. 6 is a top view of the chair of FIG. 1; and

FIG. 7 is a front view of the chair of FIG. 1; and,

FIG. 8 is a rear view of the chair of FIG. 1.

**1 Claim, 7 Drawing Sheets**



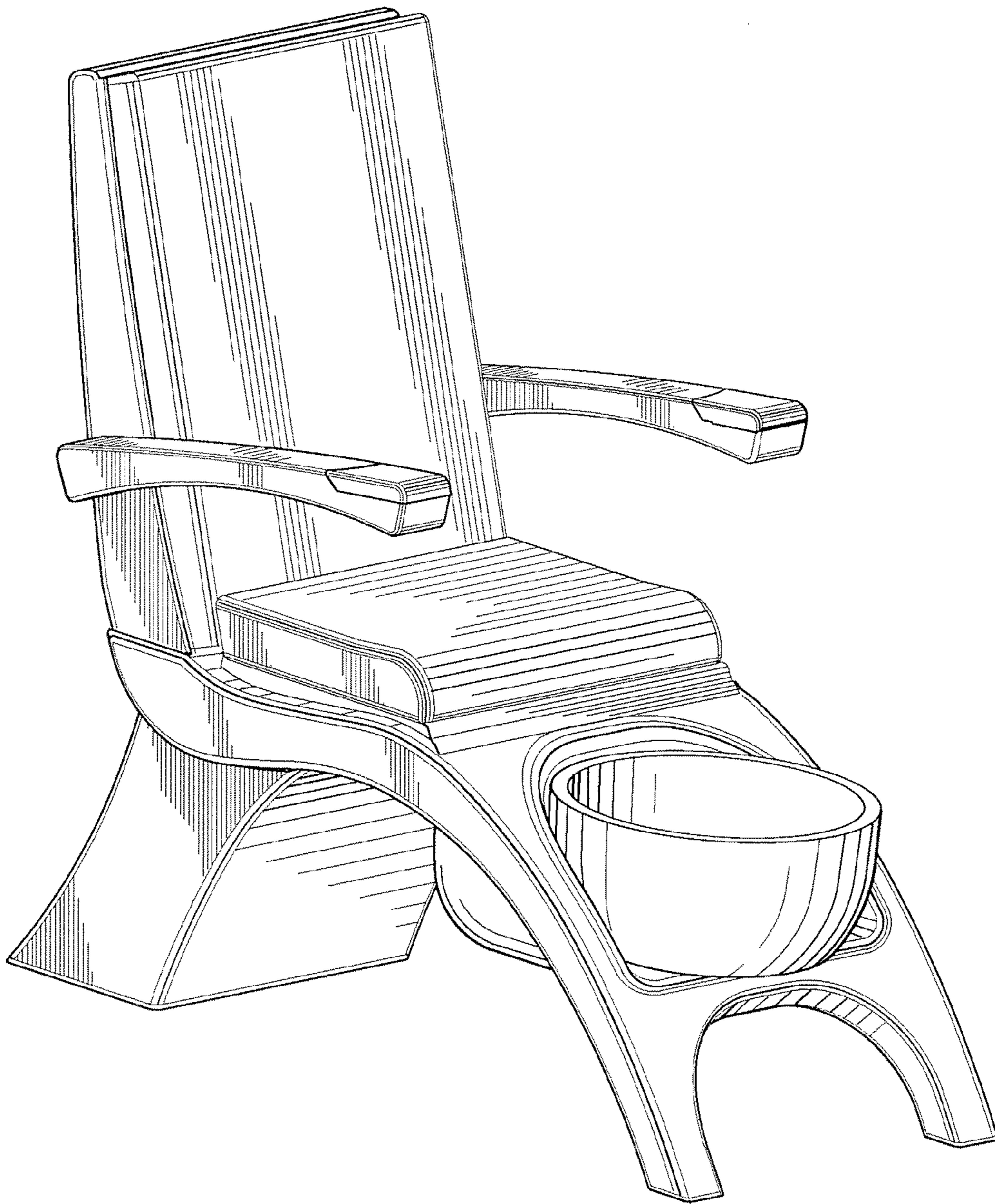


FIG.1

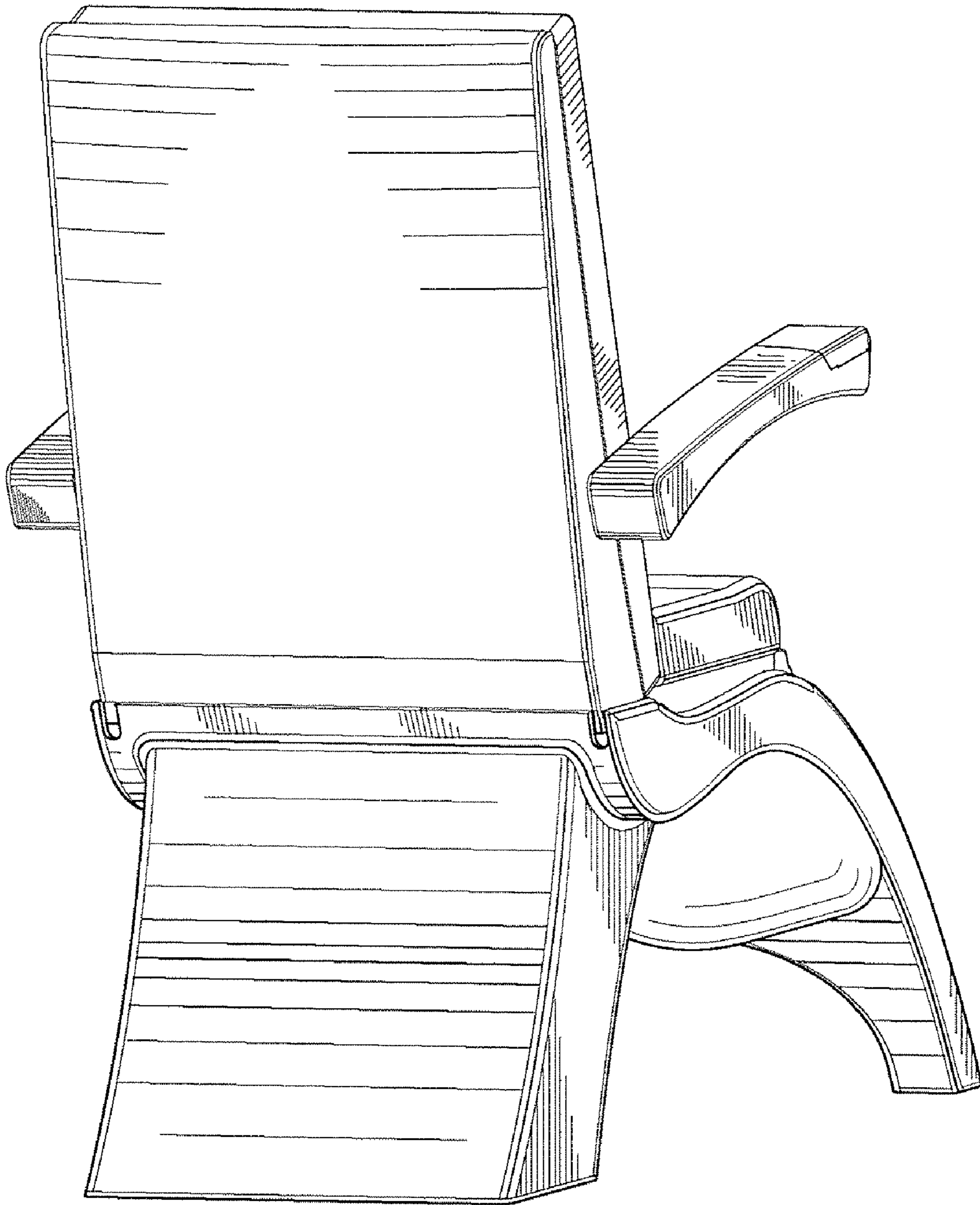


FIG.2

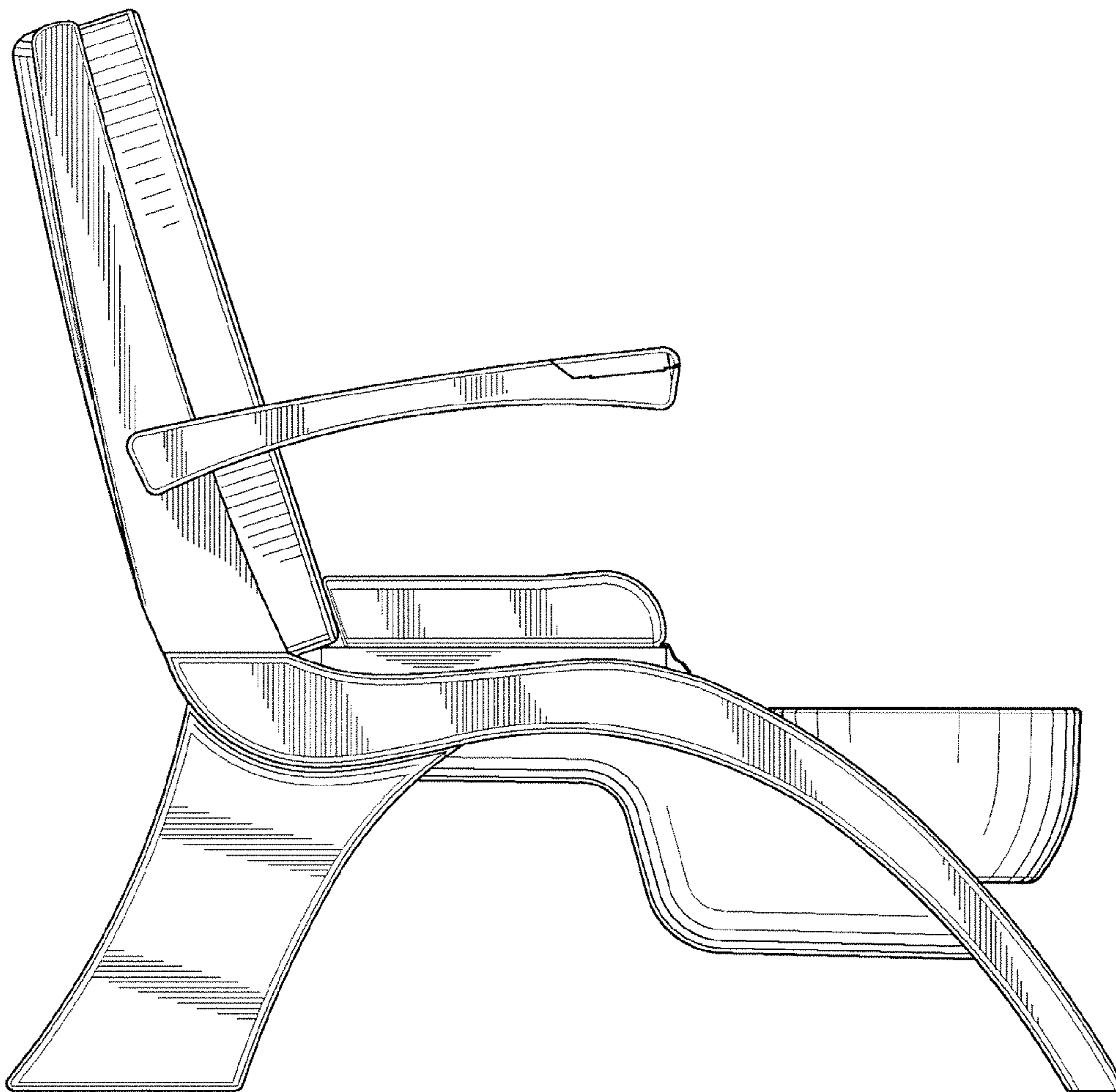


FIG.3

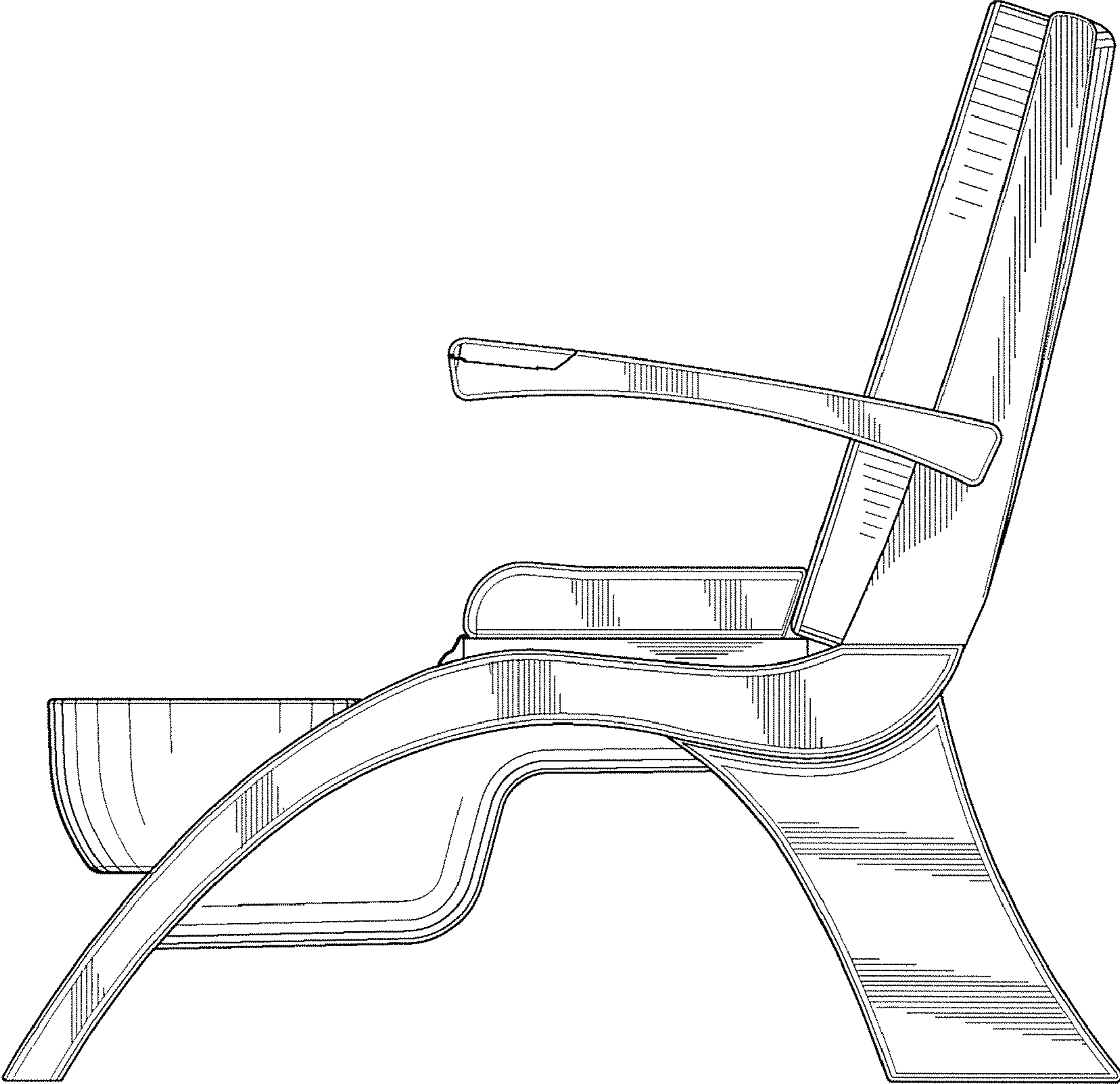


FIG. 4

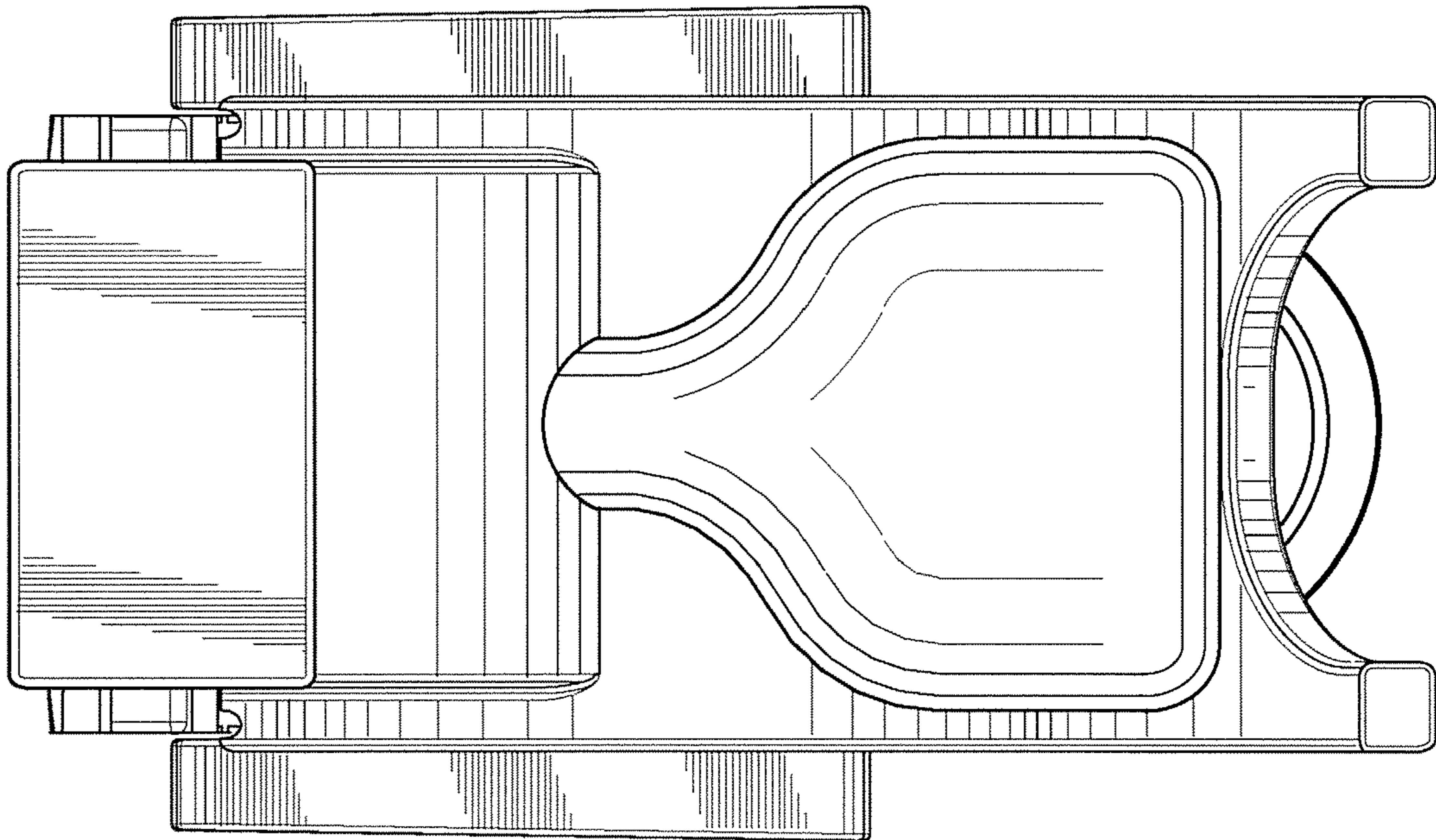


FIG. 5

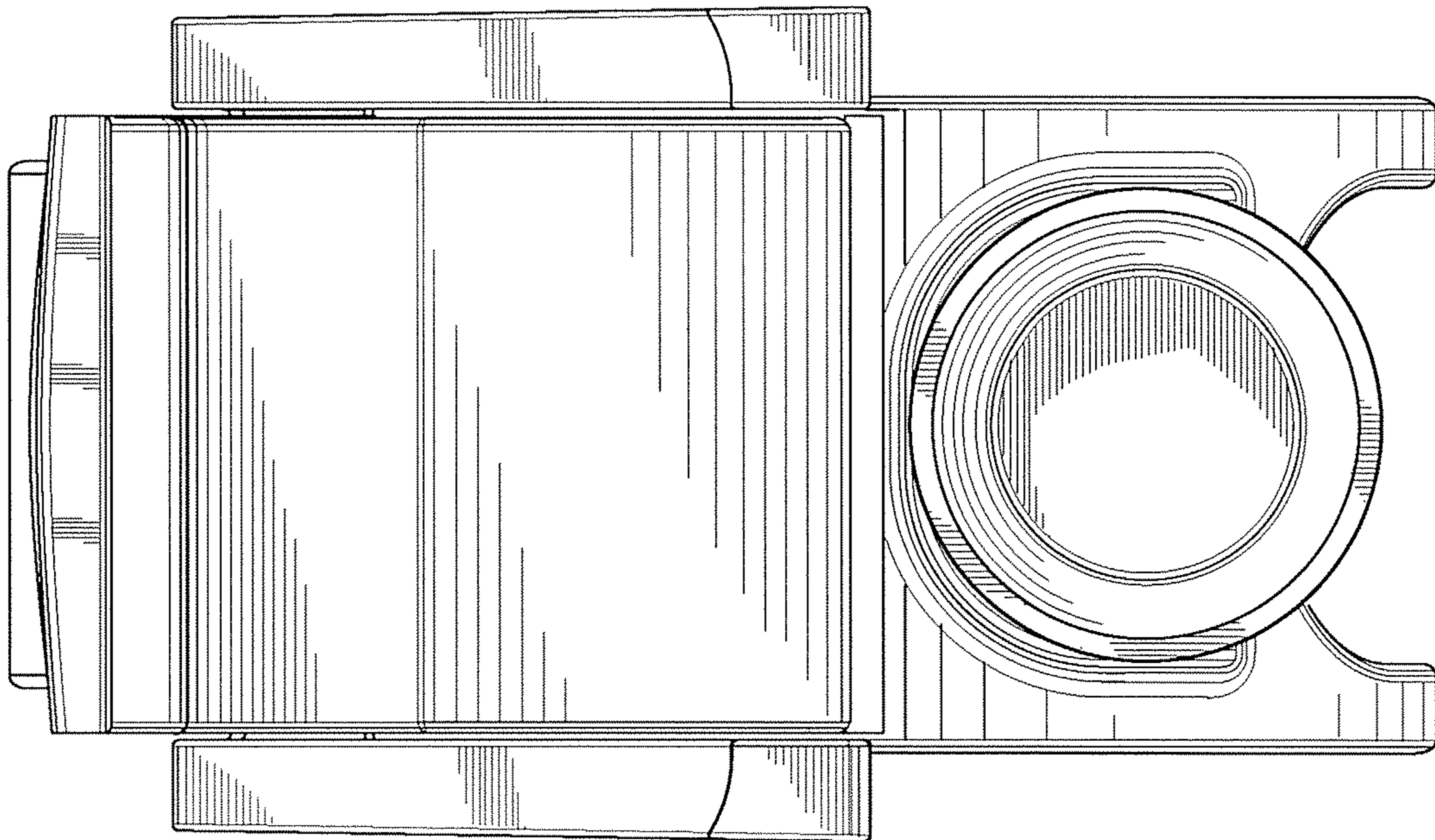


FIG. 6

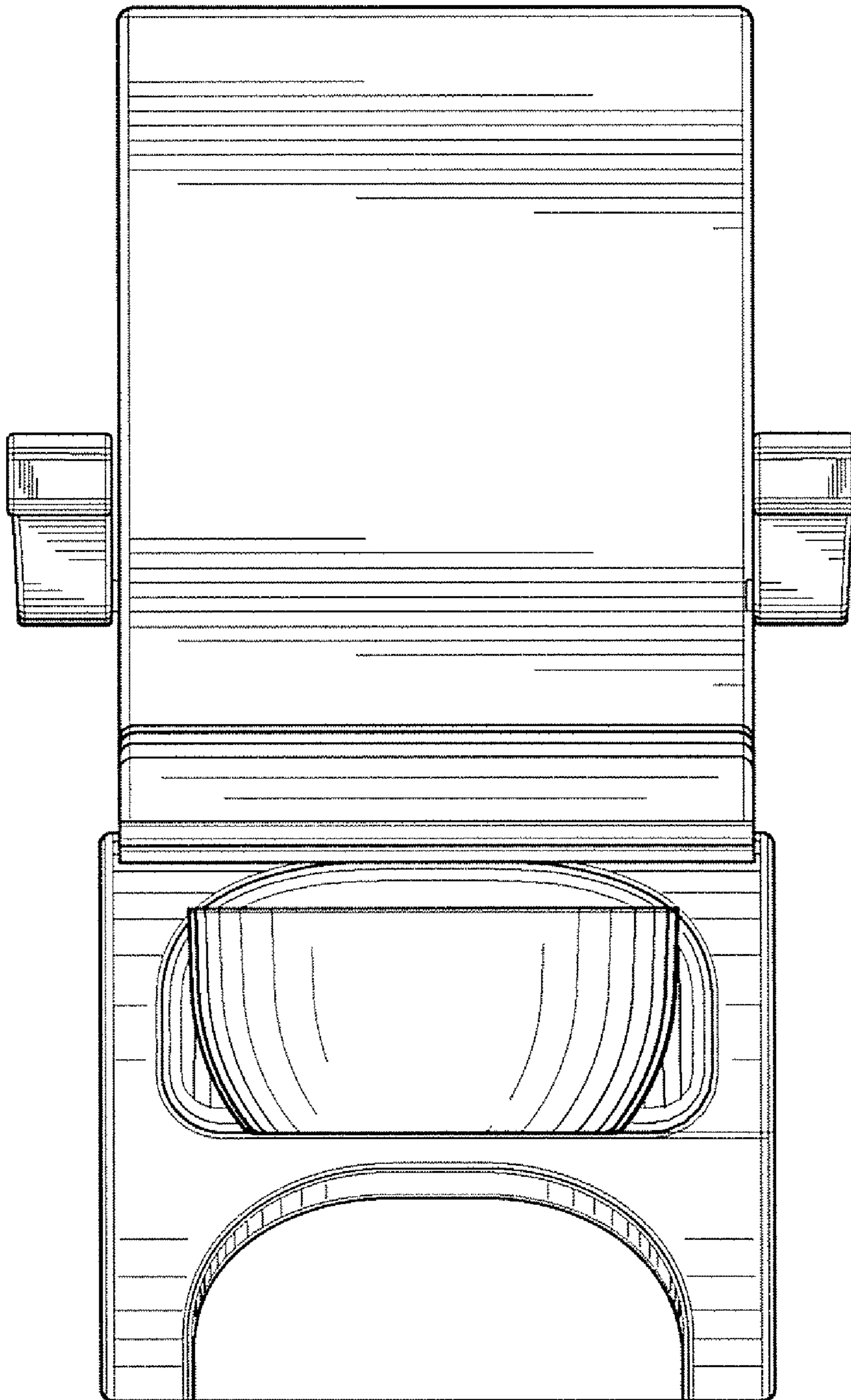


FIG.7

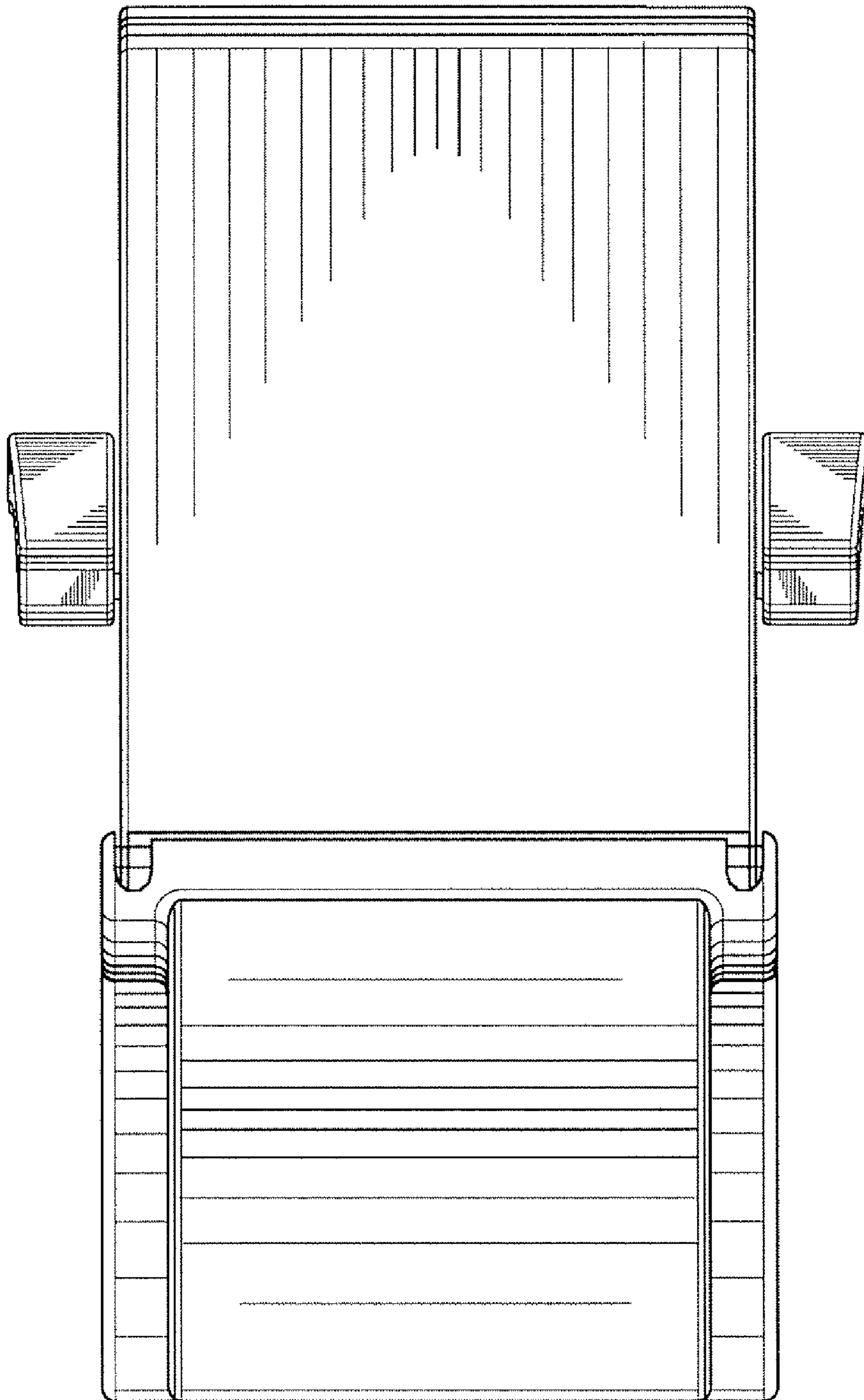


FIG. 8