



US00D583574S

(12) **United States Design Patent**
Gamboa

(10) **Patent No.:** **US D583,574 S**

(45) **Date of Patent:** **** Dec. 30, 2008**

(54) **NECK TIE HANGER**

(75) Inventor: **Ricardo Gamboa**, Monterey Park, CA
(US)

(73) Assignee: **Borg Unlimited Inc.**, Monterey Park,
CA (US)

(**) Term: **14 Years**

(21) Appl. No.: **29/302,707**

(22) Filed: **Jan. 23, 2008**

(51) **LOC (8) Cl.** **06-08**

(52) **U.S. Cl.** **D6/328; D6/317**

(58) **Field of Classification Search** D6/315,
D6/317, 318, 319, 320, 328; D8/370, 372,
D8/373; D28/10; 211/13.1, 34, 37, 85.3,
211/86.01, 106, 116, 118, 119; 223/85-98;
248/303, 339, 340

See application file for complete search history.

(56) **References Cited**

U.S. PATENT DOCUMENTS

381,888	A *	4/1888	Rice	223/88
1,607,749	A *	11/1926	Rice	223/88
2,099,507	A *	11/1937	Wright	211/106
2,127,870	A *	8/1938	Kennedy	223/88
2,205,489	A *	6/1940	Nelson	223/95
2,644,589	A *	7/1953	Levine	211/118
D209,434	S *	11/1967	Jamison	D6/315
D229,462	S *	12/1973	Wahl	D6/317

3,993,205	A *	11/1976	Pilchard	211/116
D322,721	S *	12/1991	Curry	D6/317
D323,941	S *	2/1992	Schwartz	D6/317
D374,306	S *	10/1996	Query	D28/10
D505,273	S *	5/2005	Miller	D6/317

* cited by examiner

Primary Examiner—Stella M Reid

Assistant Examiner—Shanda C Hill

(74) *Attorney, Agent, or Firm*—Kelly, Lowry & Kelley, LLP

(57) **CLAIM**

The ornamental design for a neck tie hanger, as shown and described.

DESCRIPTION

FIG. 1 is a perspective view of a neck tie hanger embodying my new design, shown in a condition of use;

FIG. 2 is a perspective view of the neck tie hanger;

FIG. 3 is a front elevational view thereof;

FIG. 4 is a rear elevational view thereof;

FIG. 5 is a right side elevational view thereof;

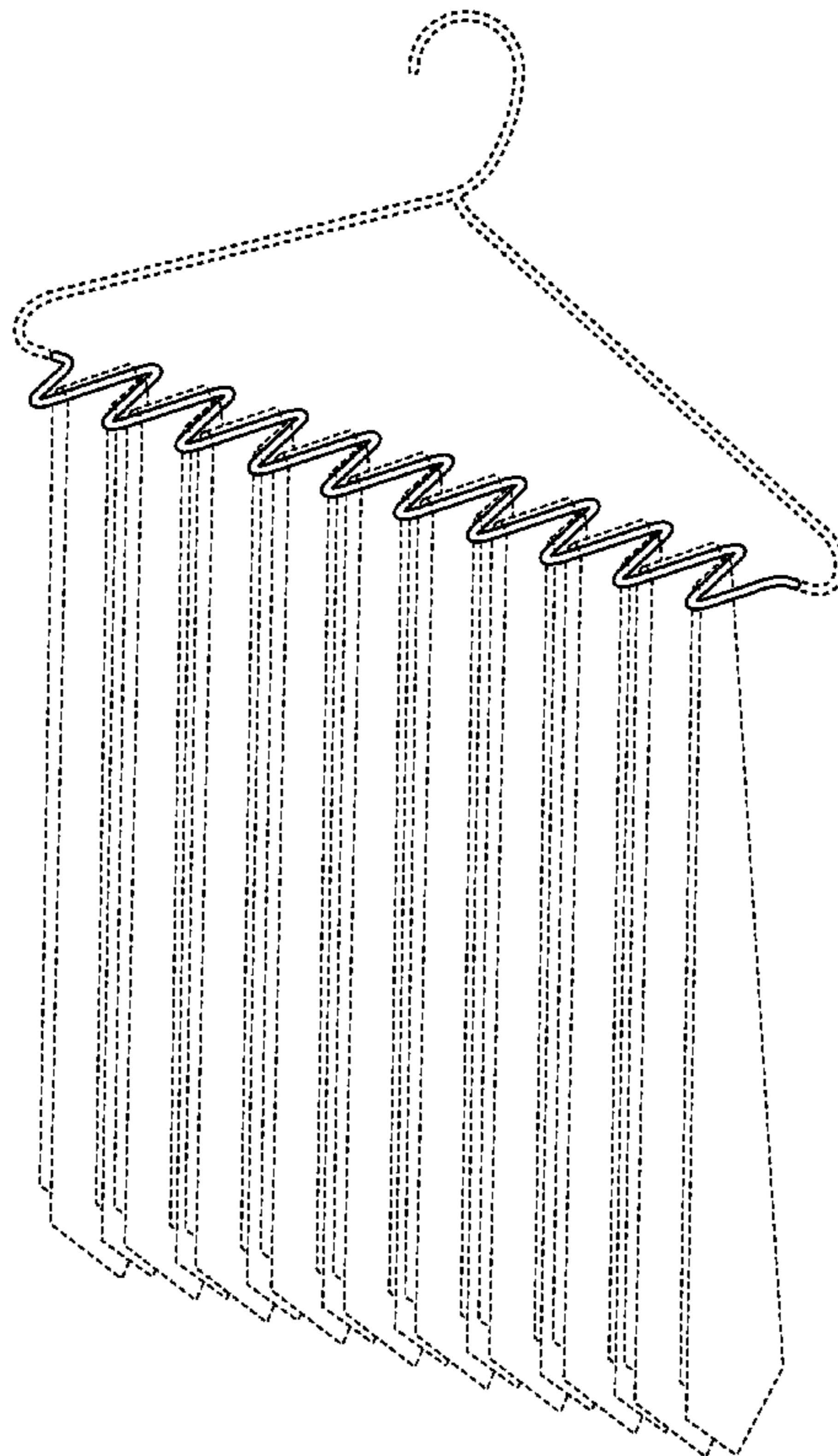
FIG. 6 is a left side elevational view thereof;

FIG. 7 is a top plan view thereof;

FIG. 8 is a bottom plan view thereof; and,

FIG. 9 is a perspective view of the neck tie hanger embodying shown in an alternate environment.

1 Claim, 3 Drawing Sheets



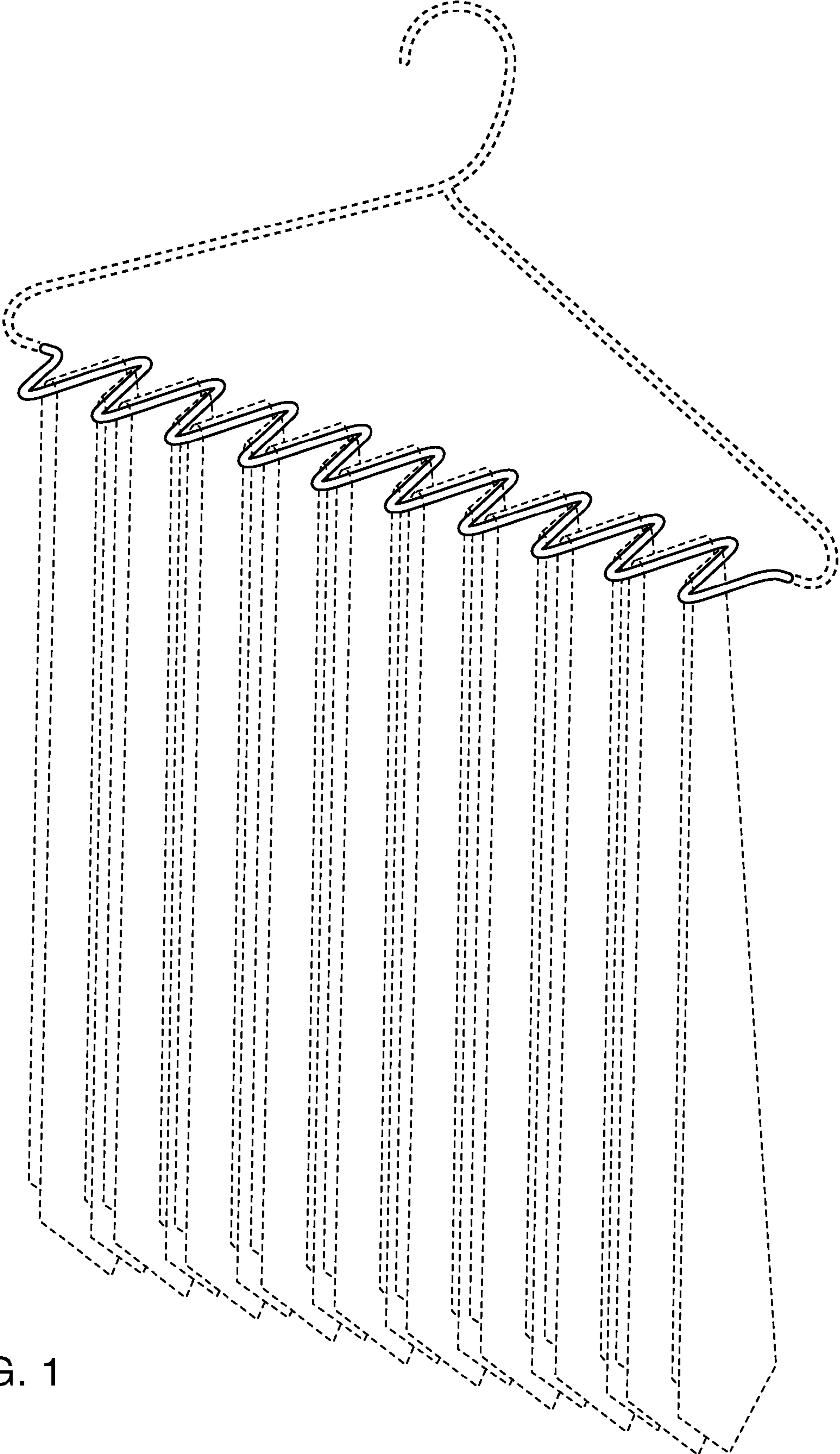


FIG. 1

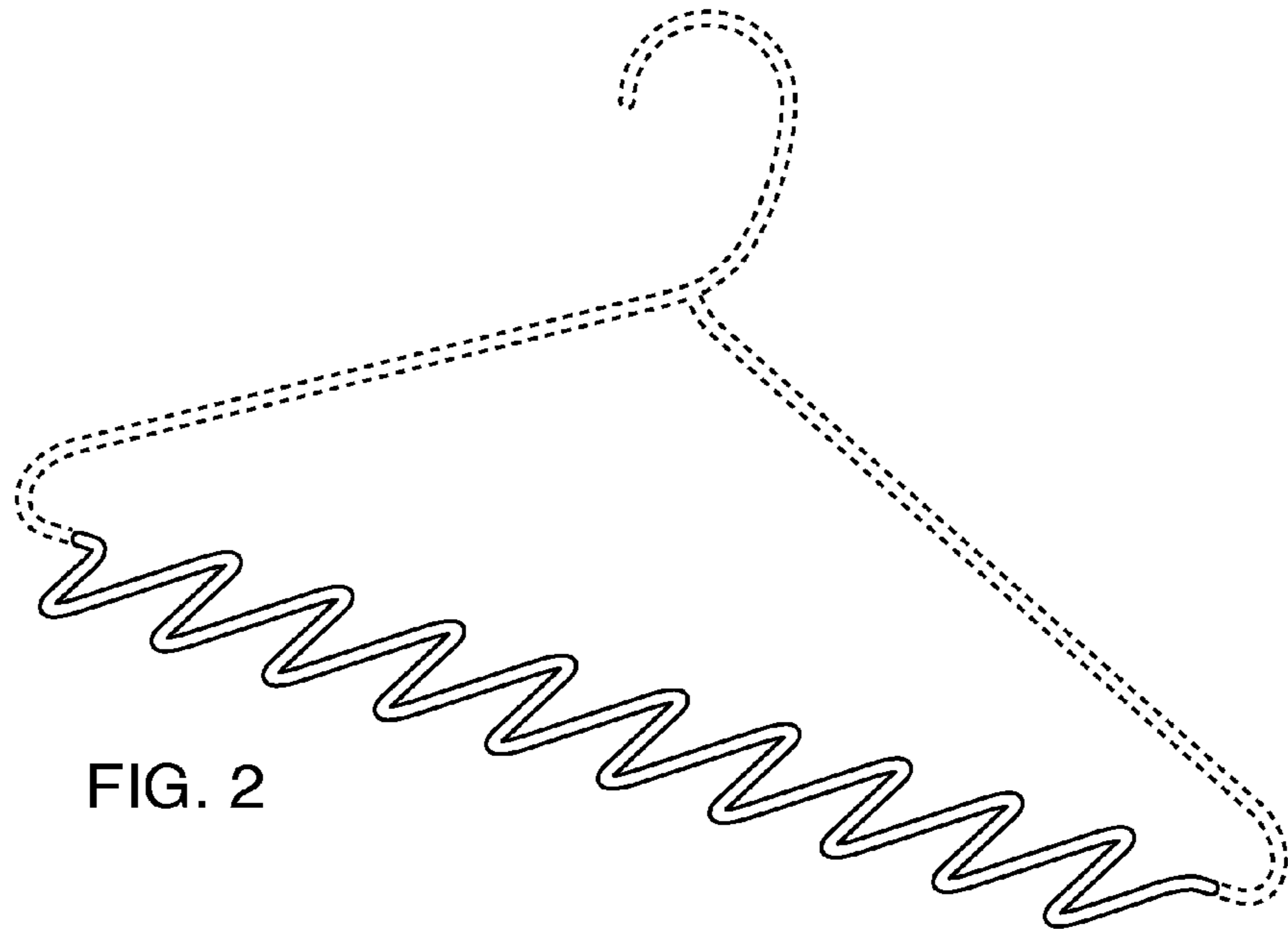


FIG. 2

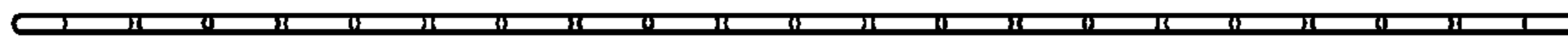


FIG. 3

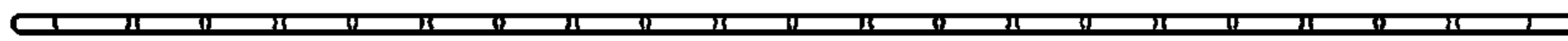


FIG. 4



FIG. 5



FIG. 6



FIG. 7



FIG. 8

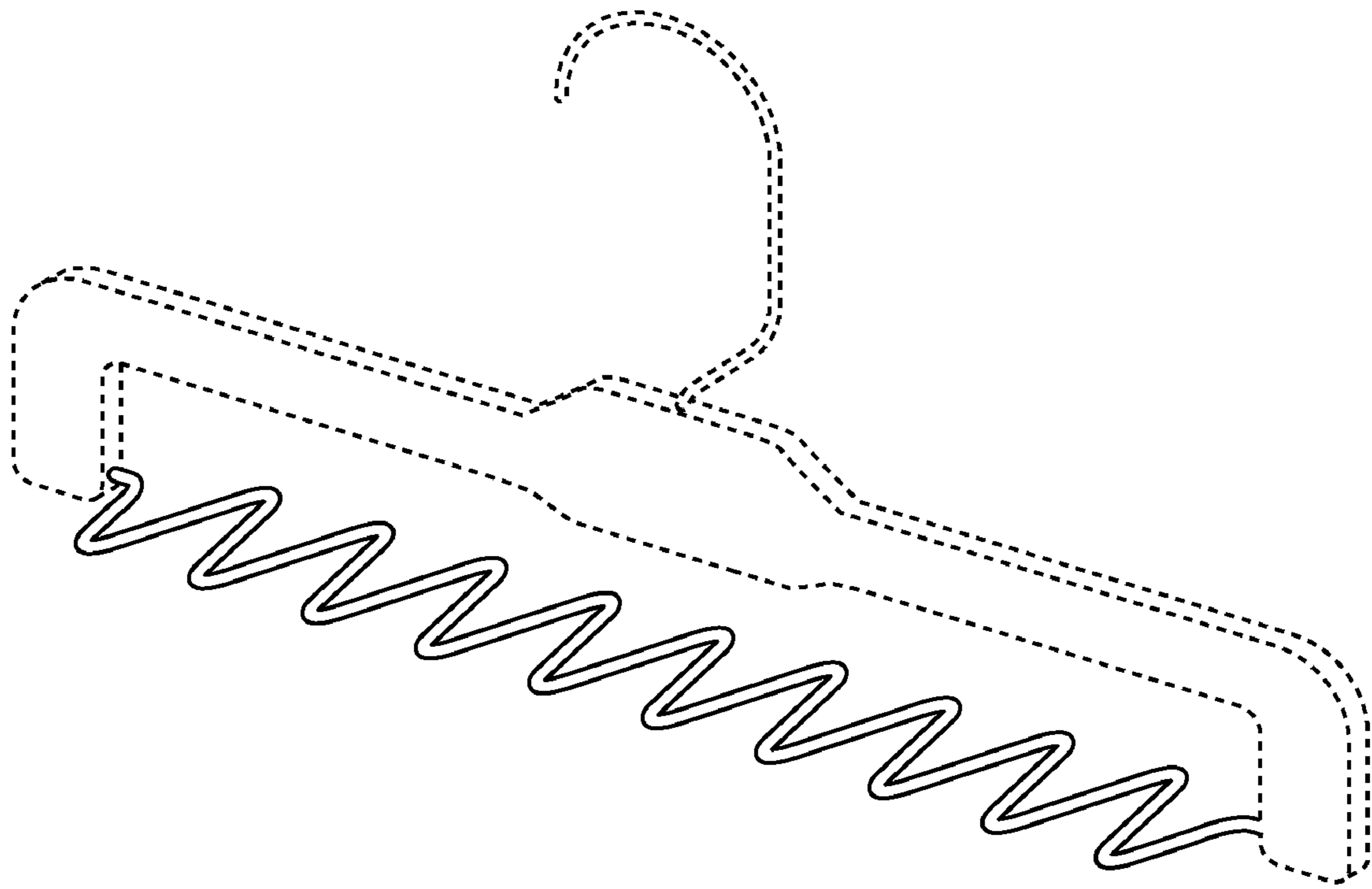


FIG. 9