



US00D583572S

(12) **United States Design Patent**  
**Zhai et al.**

(10) **Patent No.:** **US D583,572 S**  
(45) **Date of Patent:** **\*\* Dec. 30, 2008**

(54) **DIGITAL FRAME**

(75) Inventors: **Xiaodong Zhai**, Shenzhen (CN); **Yahui Ge**, Shenzhen (CN)

(73) Assignee: **Huawei Technologies Co., Ltd.**, Shenzhen (CN)

(\*\*) Term: **14 Years**

(21) Appl. No.: **29/318,996**

(22) Filed: **Jun. 2, 2008**

(51) **LOC (8) Cl.** ..... **06-07**

(52) **U.S. Cl.** ..... **D6/308; D14/371**

(58) **Field of Classification Search** ..... D6/300,  
D6/308, 310, 311; 40/721, 700, 768, 717,  
40/714; D14/371, 372, 448, 449, 450, 375,  
D14/374, 381, 382, 336, 337; D10/15, 24,  
D10/75, 2; D19/26

See application file for complete search history.

(56) **References Cited**

**U.S. PATENT DOCUMENTS**

D560,371 S \* 1/2008 Liu et al. .... D6/308  
D570,610 S \* 6/2008 Chuang ..... D6/300  
D572,023 S \* 7/2008 Park ..... D6/300

D572,025 S \* 7/2008 Kwon ..... D6/308  
2002/0040541 A1 \* 4/2002 Wang ..... 40/714

\* cited by examiner

*Primary Examiner*—Janice E Seeger

*Assistant Examiner*—Sydney R Buffalow

(74) *Attorney, Agent, or Firm*—Darby & Darby P.C.

(57) **CLAIM**

The ornamental design for a digital frame, as shown and described.

**DESCRIPTION**

FIG. 1 is a front, top, right-side perspective view of our new design for digital frame;

FIG. 2 is a rear top right-perspective view thereof;

FIG. 3 is a top plan view thereof;

FIG. 4 is a right-side elevation view thereof;

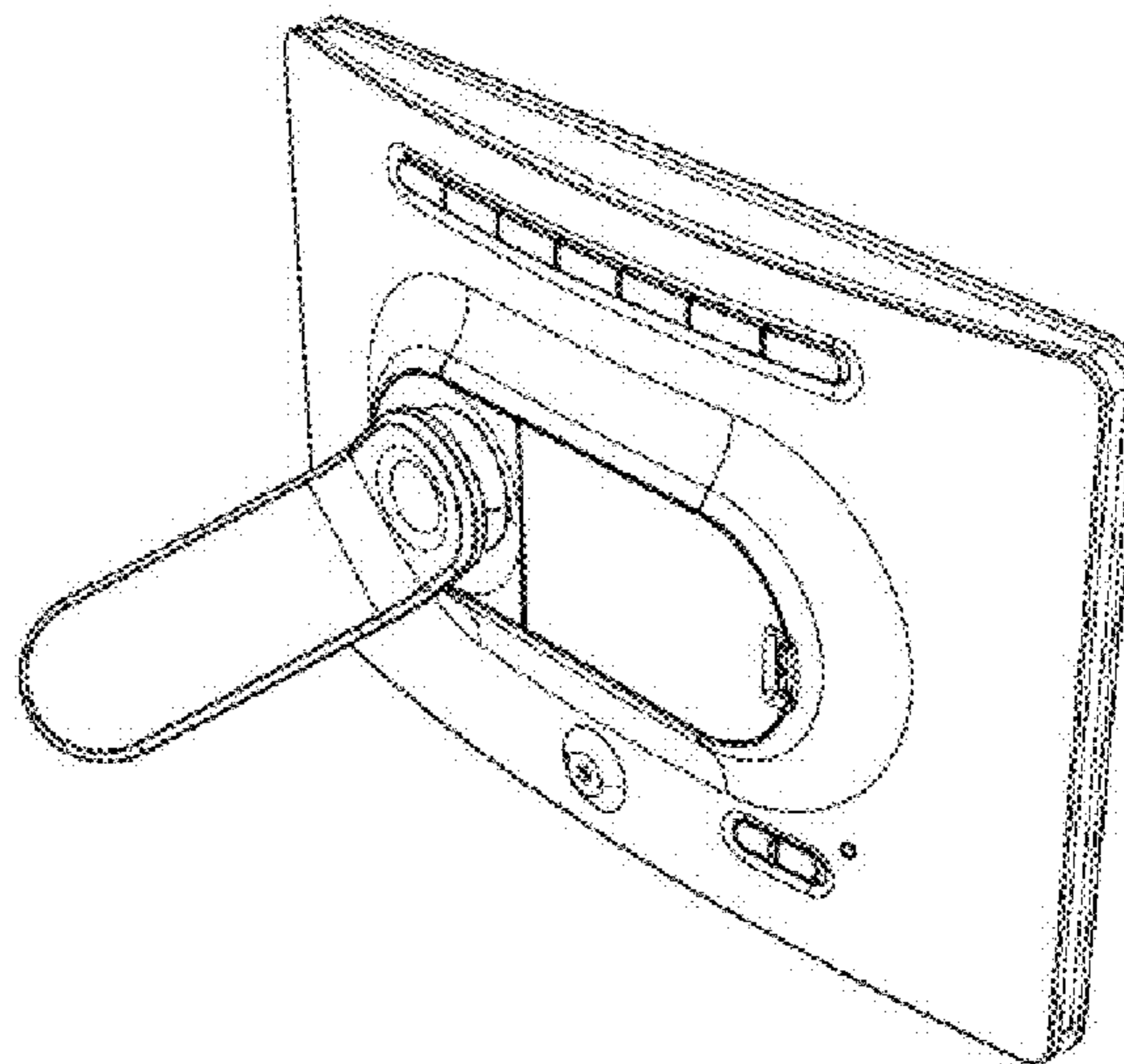
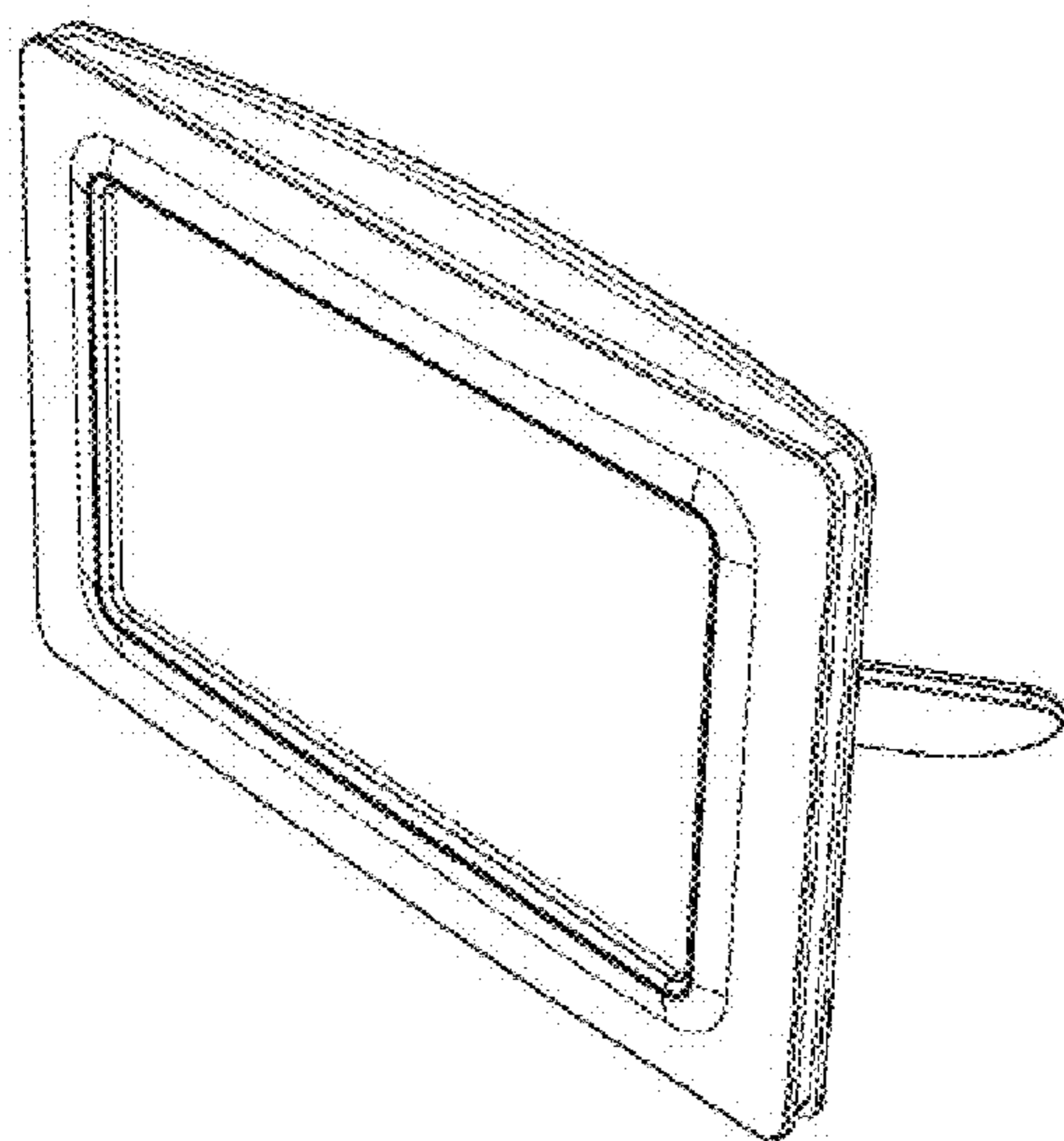
FIG. 5 is a front elevation view thereof;

FIG. 6 is a rear elevation view thereof;

FIG. 7 is a left-side elevation view thereof; and,

FIG. 8 is a bottom plan view thereof.

**1 Claim, 3 Drawing Sheets**



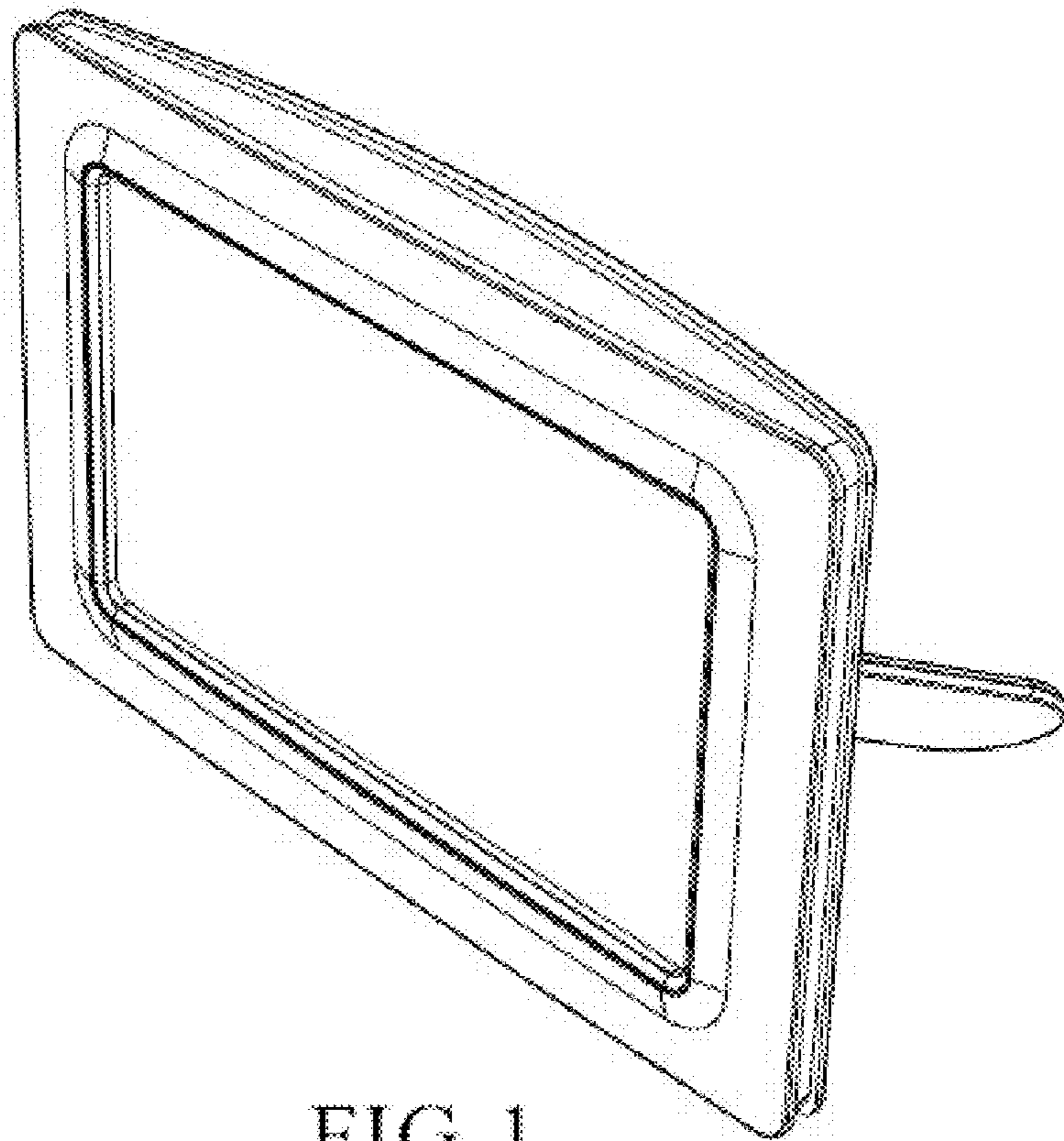


FIG. 1

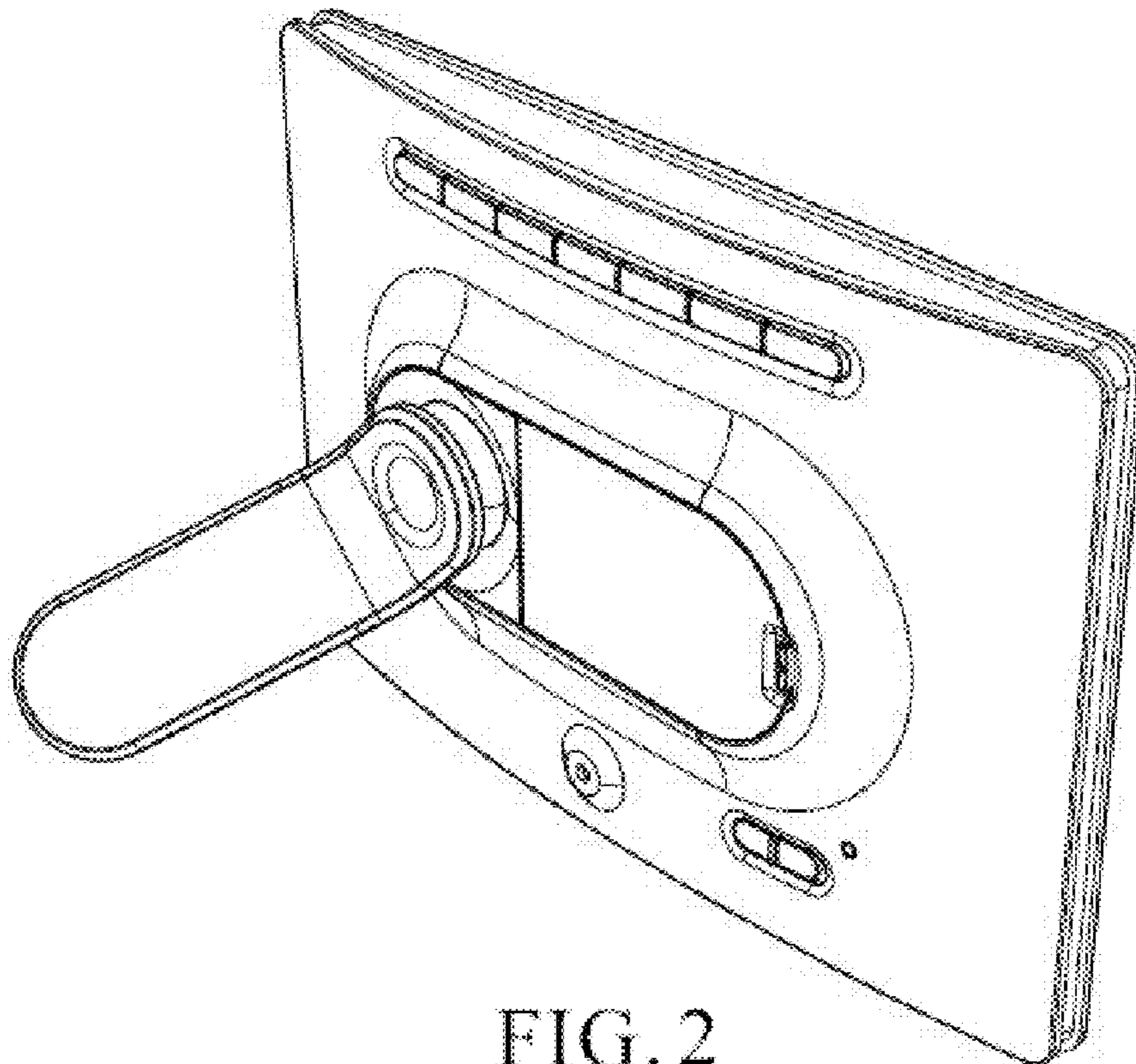


FIG. 2

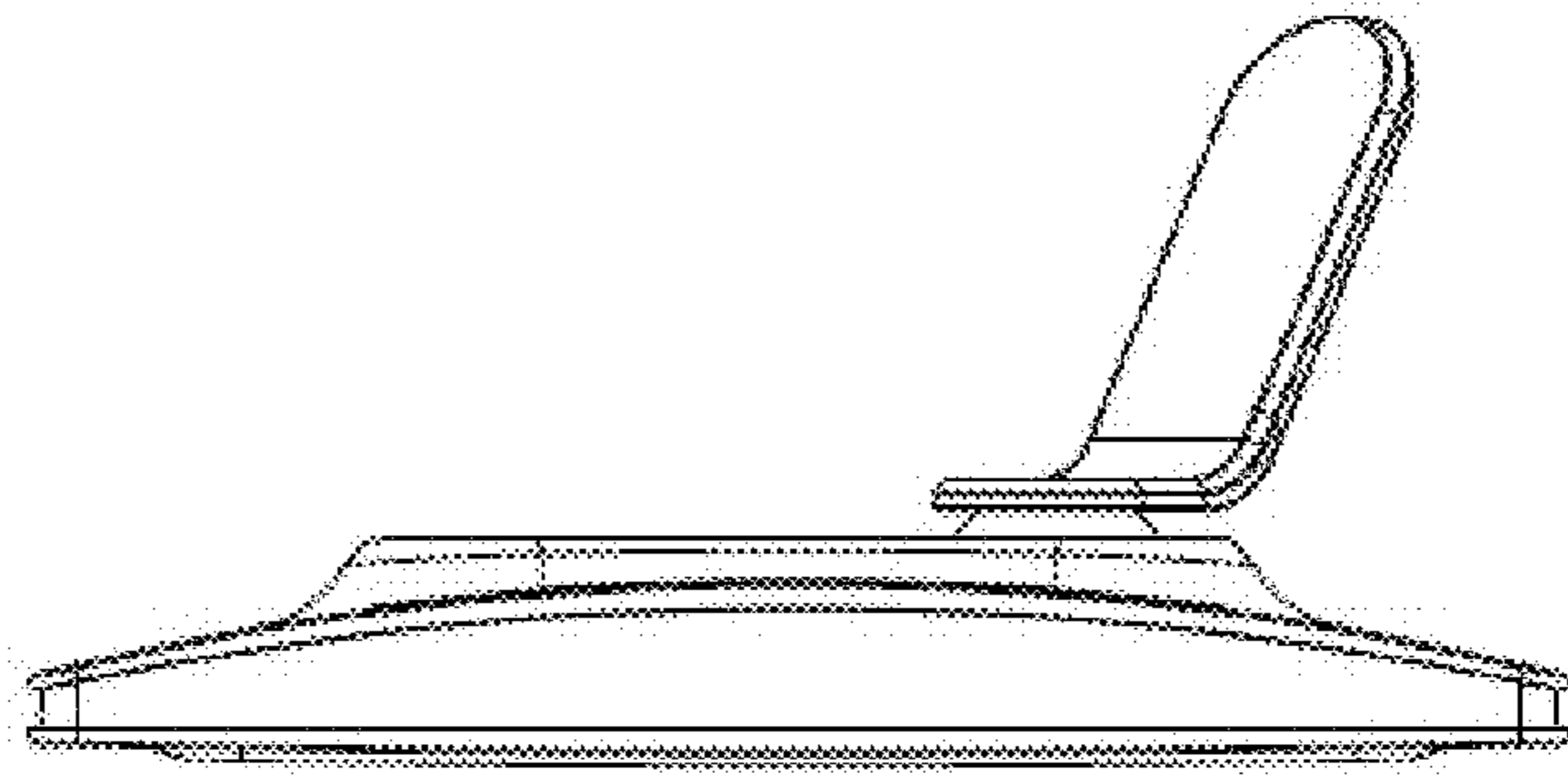


FIG. 3

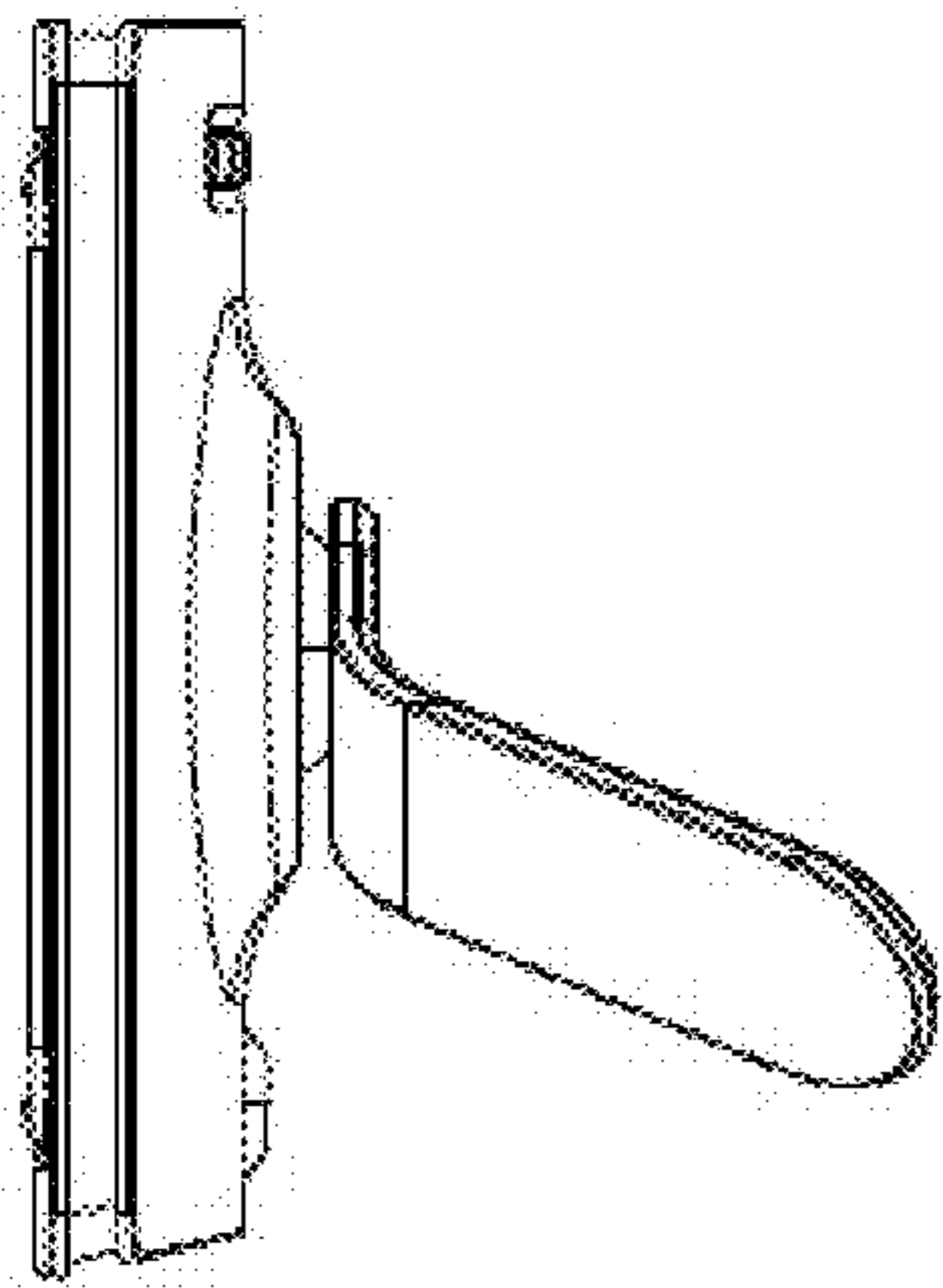


FIG. 4

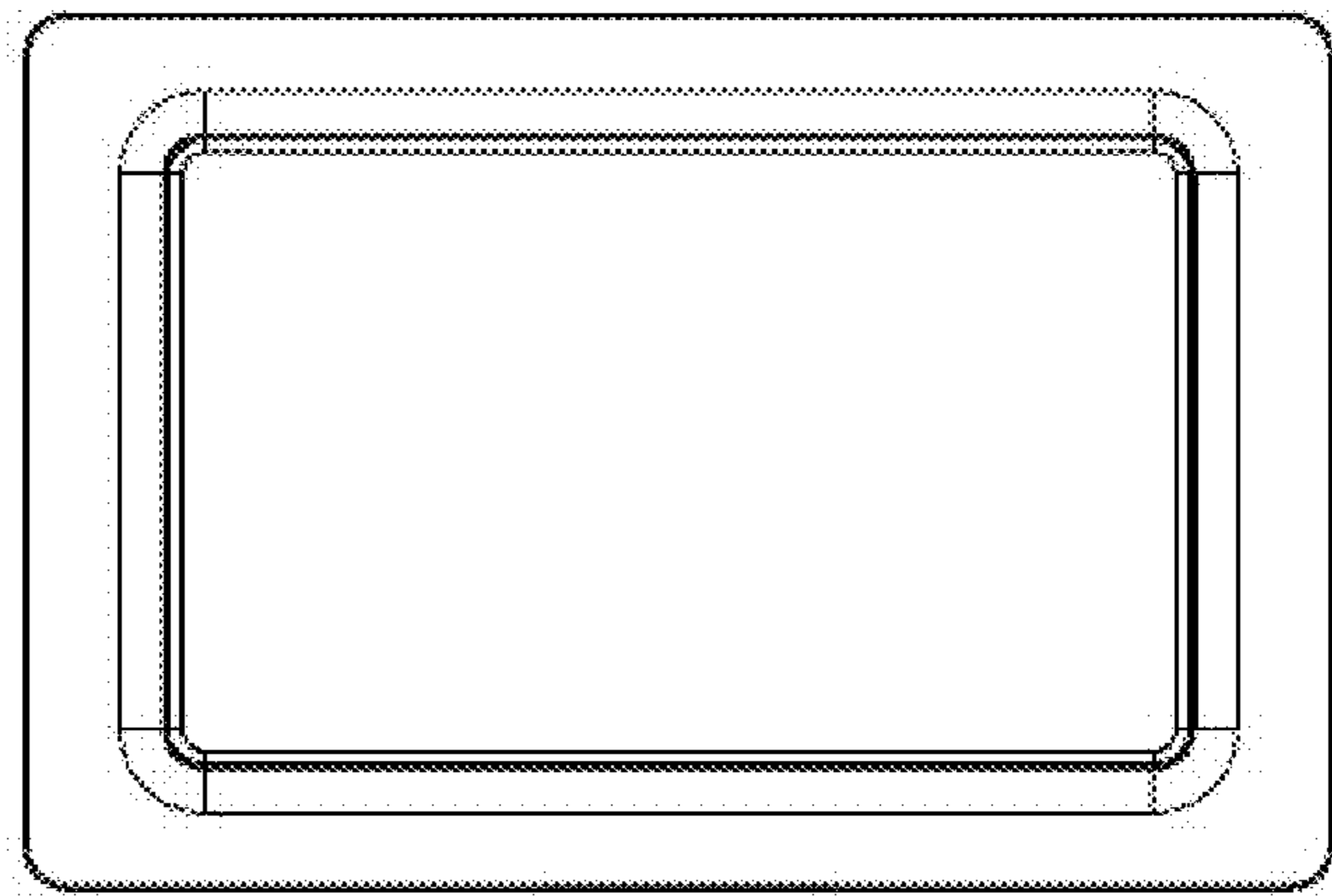


FIG. 5

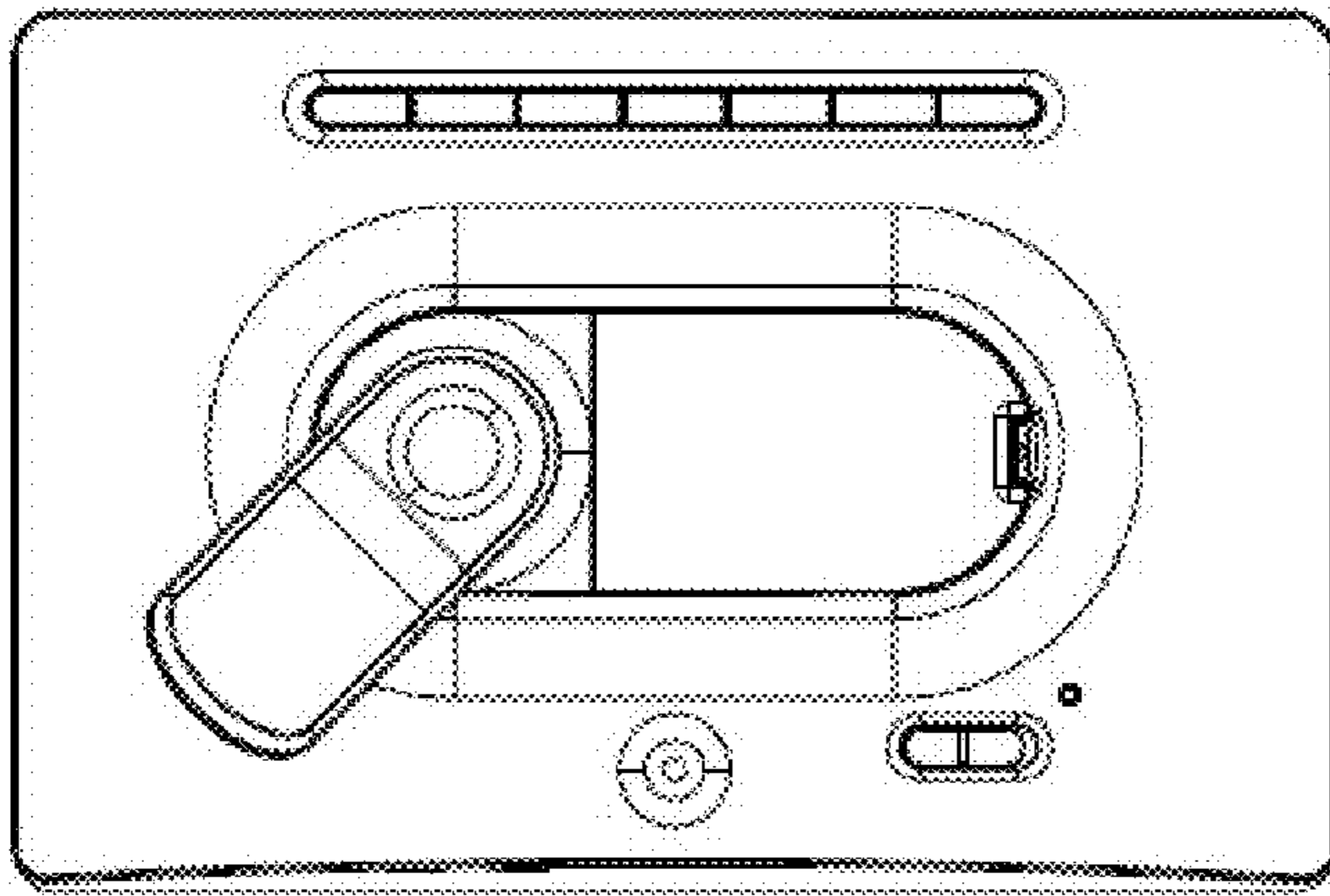


FIG. 6

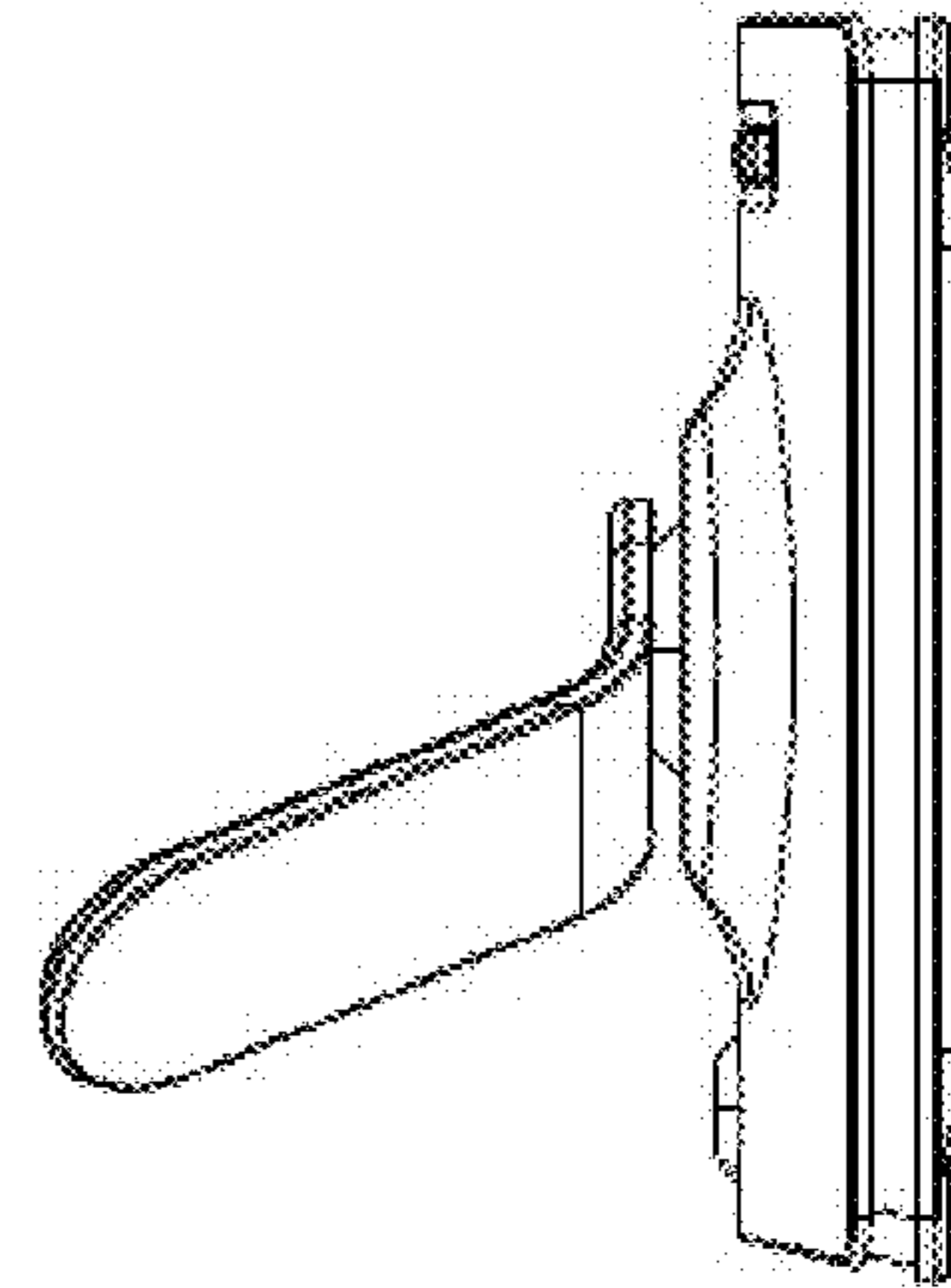


FIG. 7

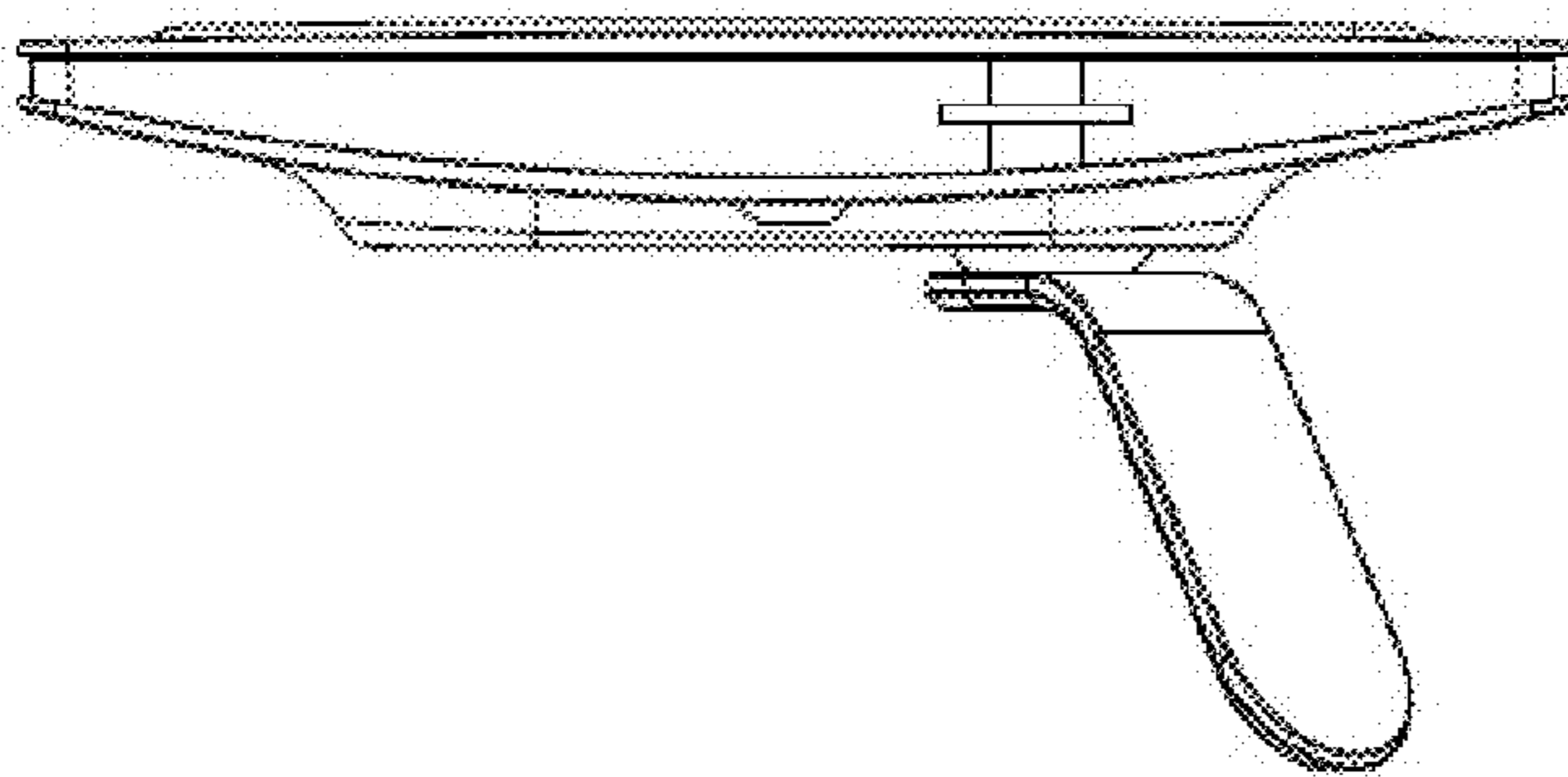


FIG. 8