



US00D583571S

(12) **United States Design Patent**
Fine

(10) **Patent No.:** **US D583,571 S**
(45) **Date of Patent:** **** Dec. 30, 2008**

(54) **ITEM HOLDER WITH PHOTOGRAPH FRAME**

D419,808 S * 2/2000 Hampshire D6/553
D485,306 S * 1/2004 Sheldon et al. D19/85
D499,091 S * 11/2004 Taylor et al. D14/252
D558,985 S * 1/2008 Defenbaugh et al. D6/300

(75) Inventor: **Neil Fine**, Northbrook, IL (US)

* cited by examiner

(73) Assignee: **Neil Enterprises, Inc.**, Vernon Hills, IL (US)

Primary Examiner—Janice E Seeger

Assistant Examiner—Sydney R Buffalow

(**) Term: **14 Years**

(74) *Attorney, Agent, or Firm*—Patzik, Frank, & Samotny Ltd.

(21) Appl. No.: **29/305,150**

(22) Filed: **Mar. 14, 2008**

(57) **CLAIM**

(51) **LOC (8) Cl.** **06-07**

The ornamental design for an item holder with photograph frame, as shown and described.

(52) **U.S. Cl.** **D6/300**

(58) **Field of Classification Search** D6/300–314,
D6/449, 553, 525; D4/113; D27/183, 187;
D16/135, 130; D14/250, 252; D3/218; D19/85,
D19/77; 40/71.01, 74; D20/10
See application file for complete search history.

DESCRIPTION

FIG. 1 is an elevated front perspective view of an item holder with photograph frame showing the new ornamental design thereof;

(56) **References Cited**

U.S. PATENT DOCUMENTS

D163,865 S * 7/1951 Griffith D27/187
D168,018 S * 10/1952 Cohn D4/113
D280,574 S * 9/1985 Kladitis D6/300
D296,718 S * 7/1988 Takanashi D27/183
D328,909 S * 8/1992 Sakurai D16/135
D336,909 S * 6/1993 Sakurai D16/135
D342,523 S * 12/1993 Morgan et al. D14/250
D355,791 S * 2/1995 Briley D6/449
D378,020 S * 2/1997 Hatt D3/218

FIG. 2 is a front view thereof;

FIG. 3 is a back view thereof;

FIG. 4 is a right side view thereof;

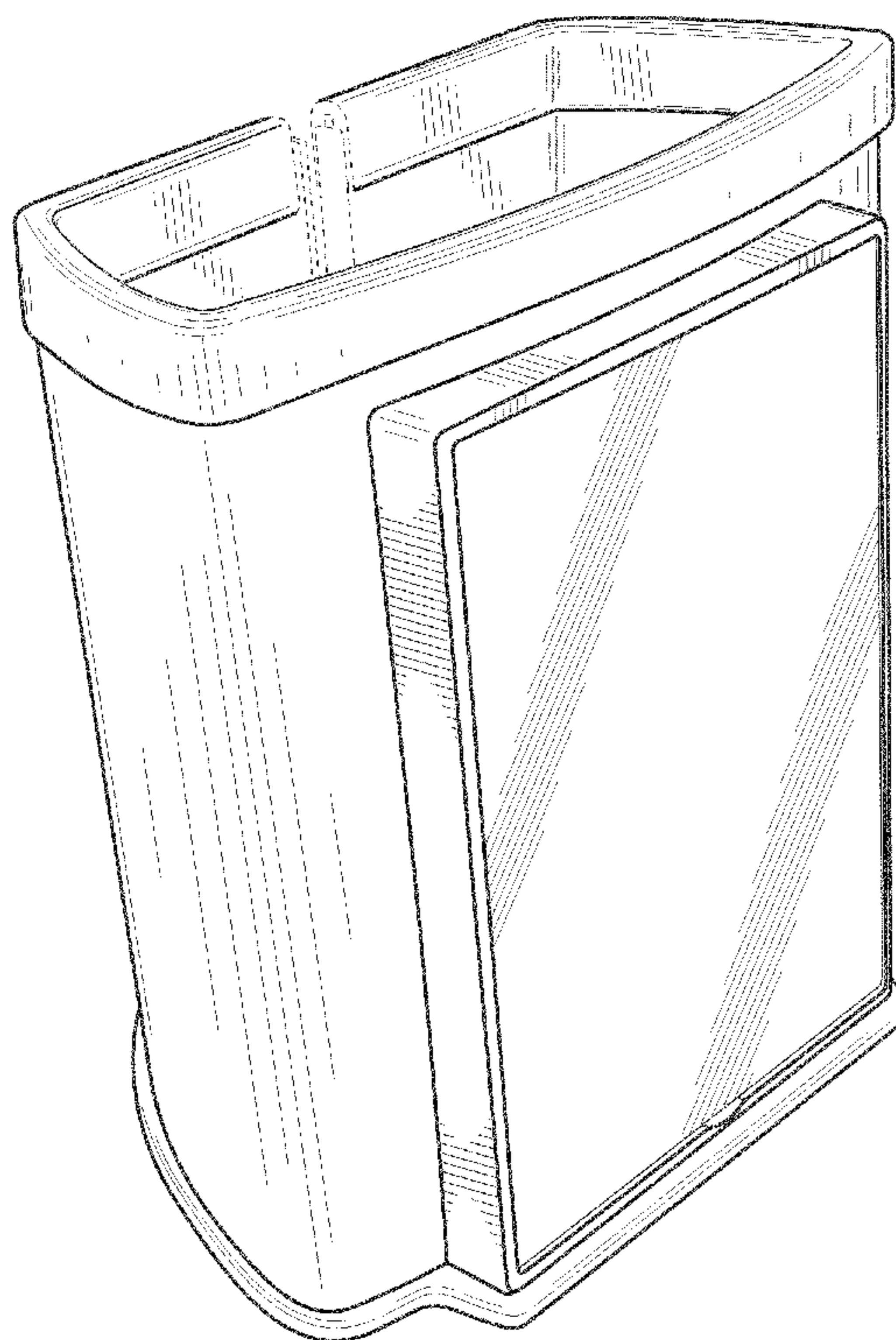
FIG. 5 is a left side view thereof;

FIG. 6 is a top plan view thereof; and,

FIG. 7 is a bottom view thereof.

The broken lines are for illustrative purposes only and form no part of the claimed design.

1 Claim, 7 Drawing Sheets



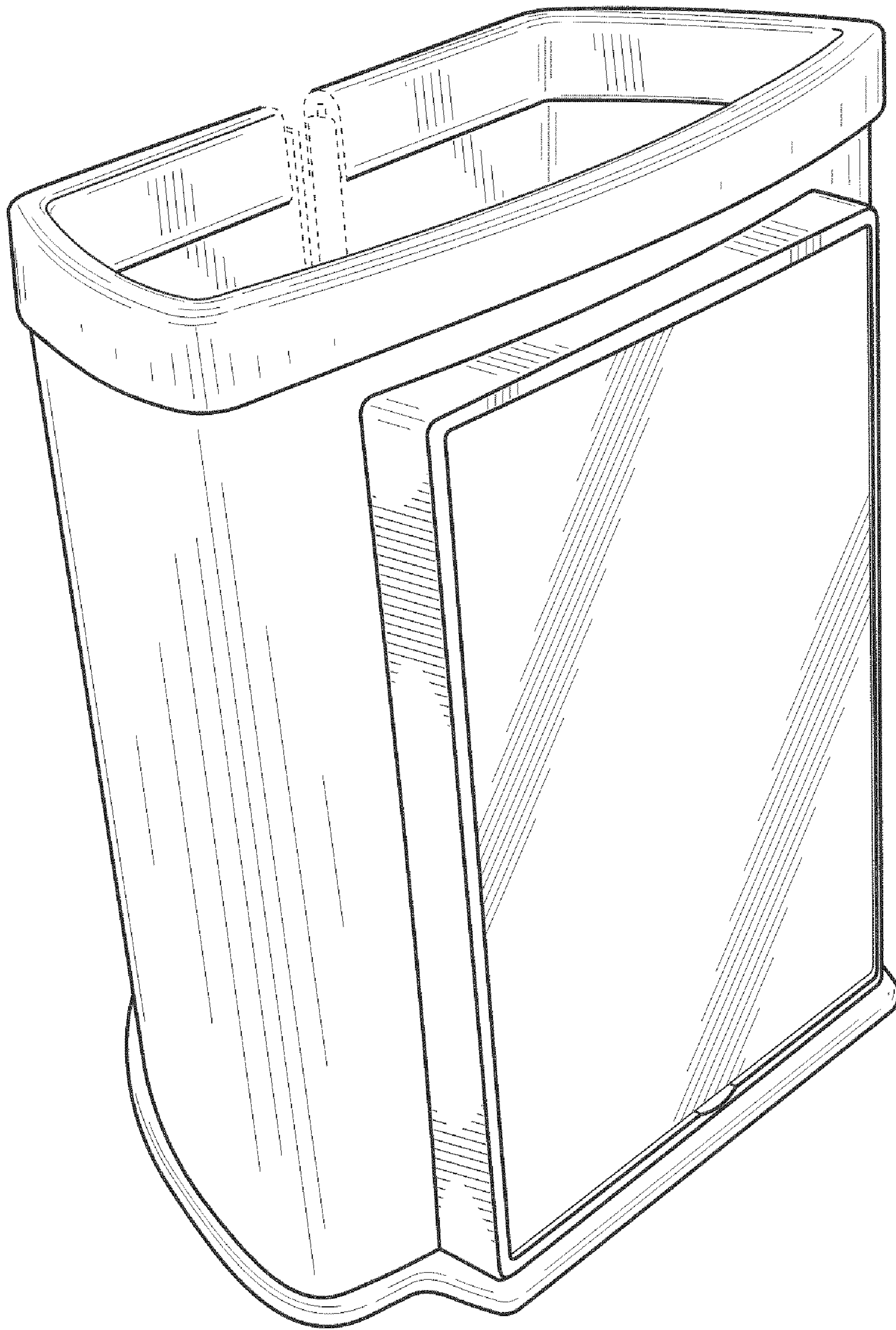


FIG. 1

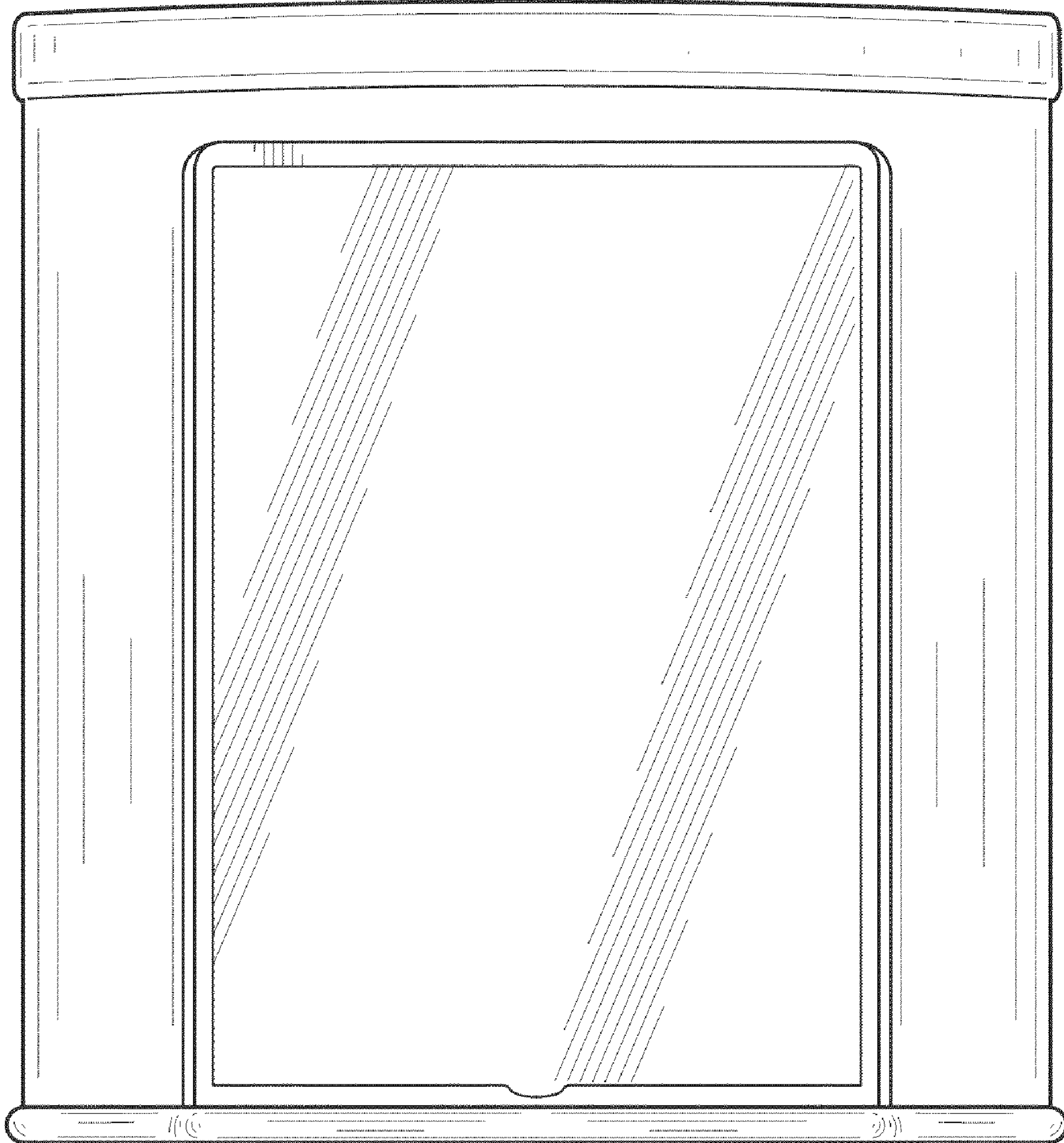


FIG. 2

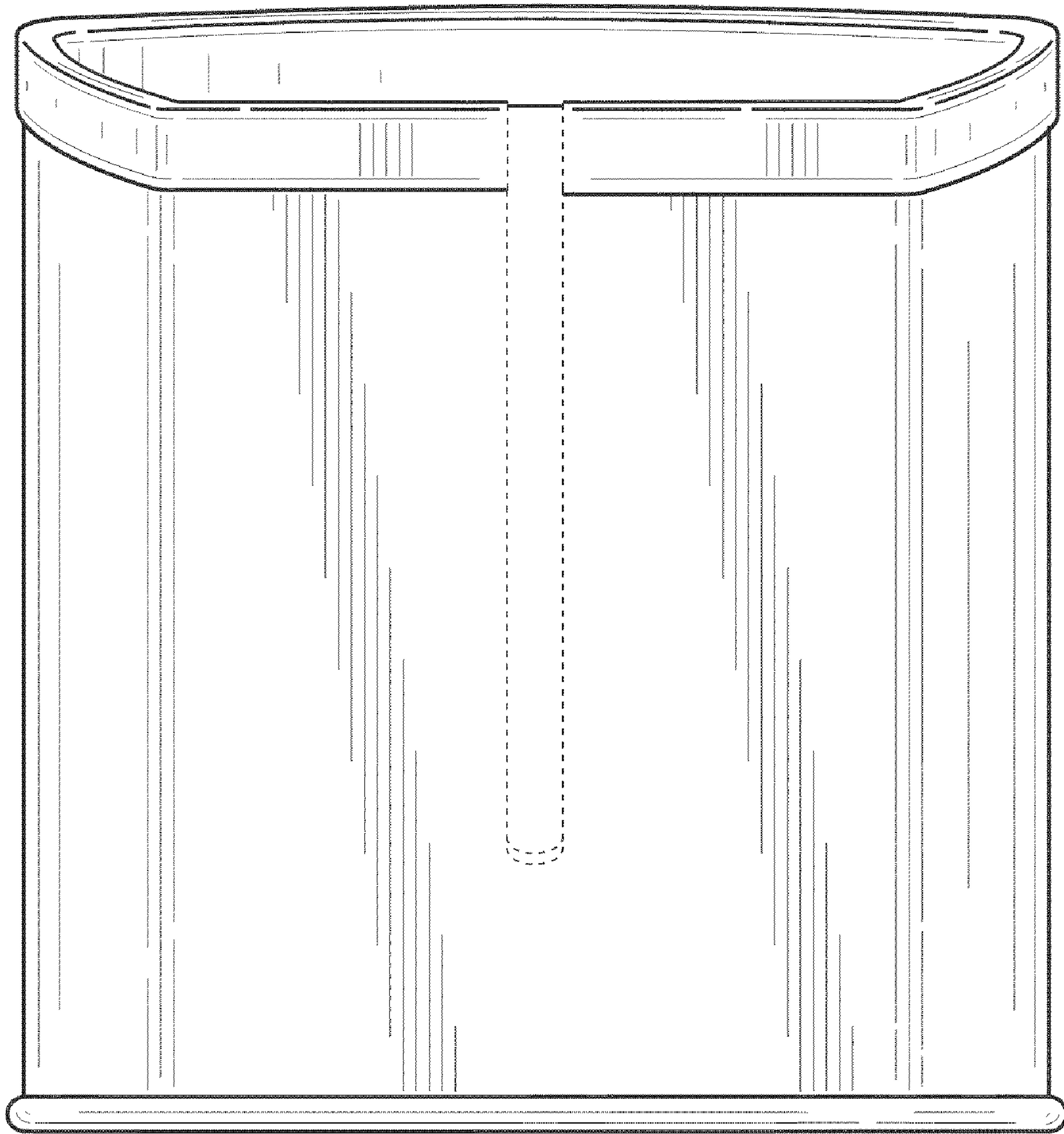


FIG. 3

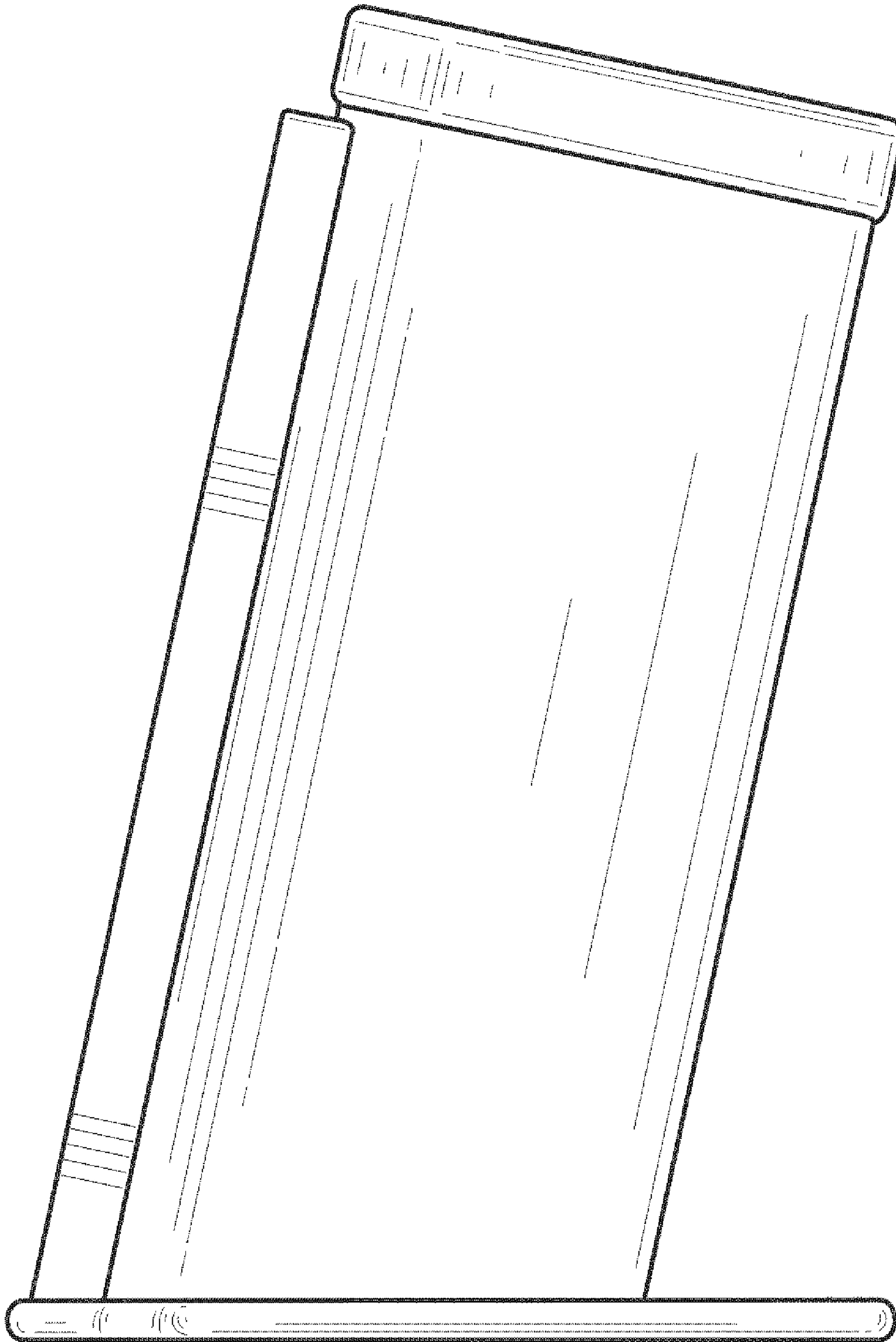


FIG. 4

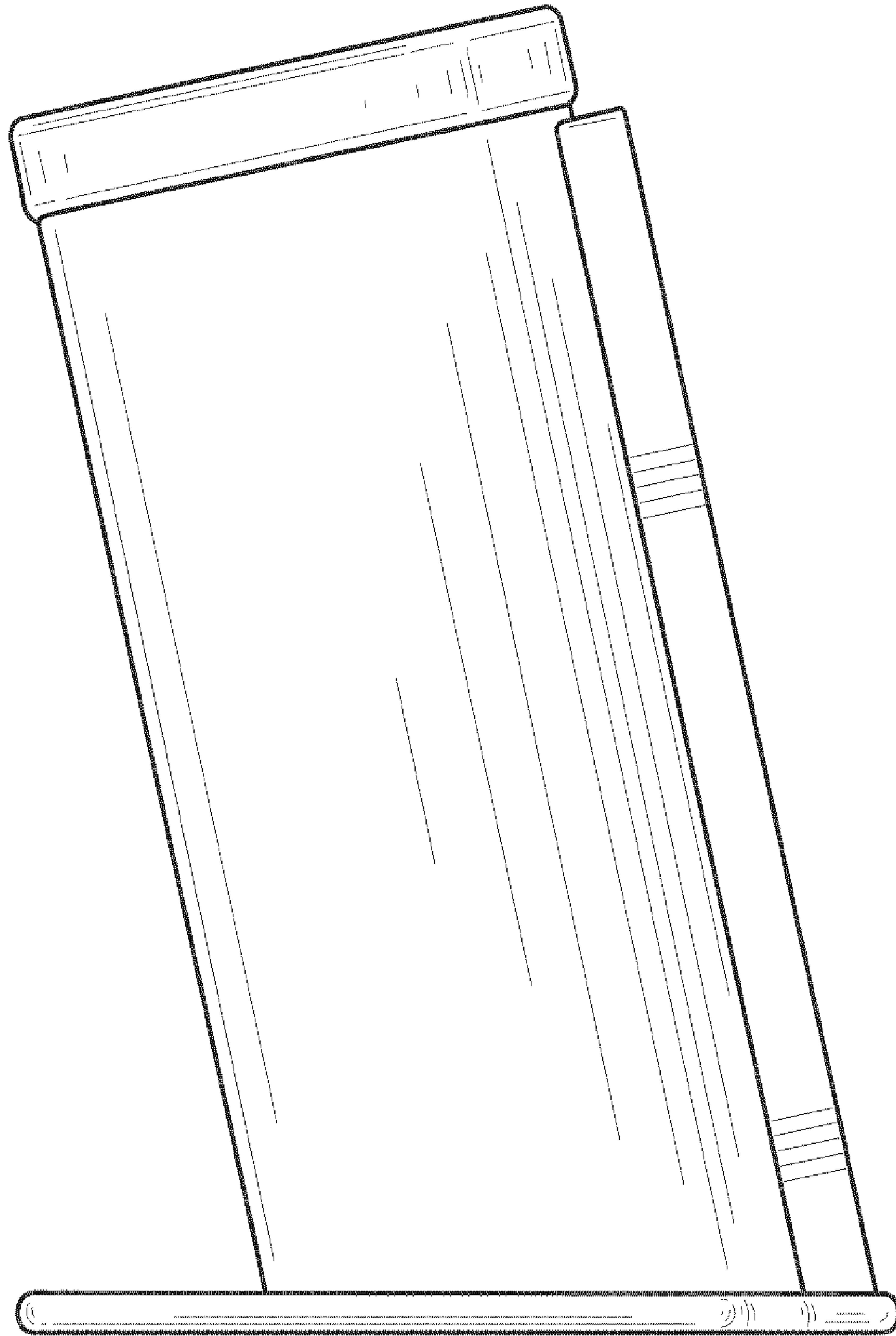


FIG. 5

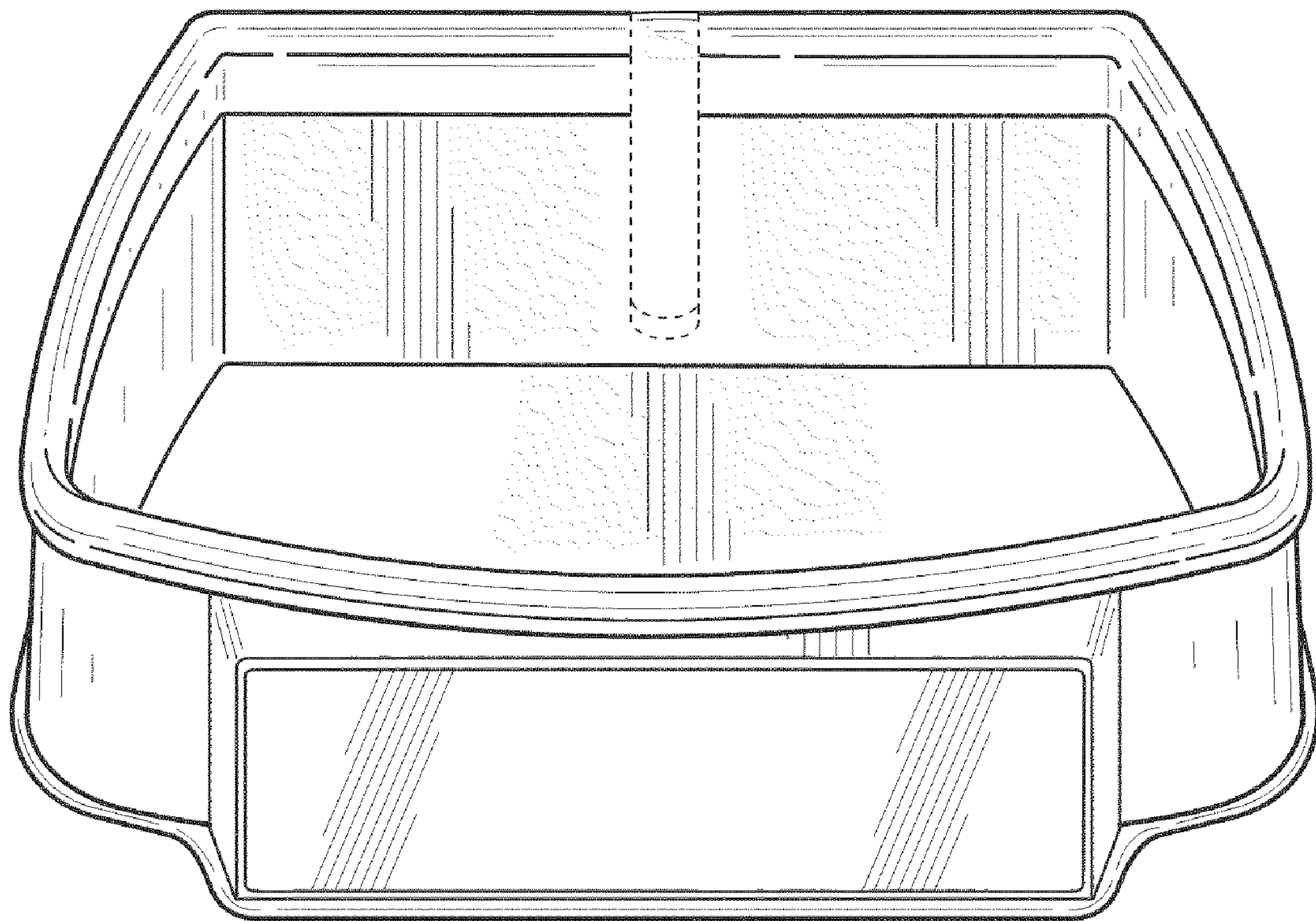


FIG. 6

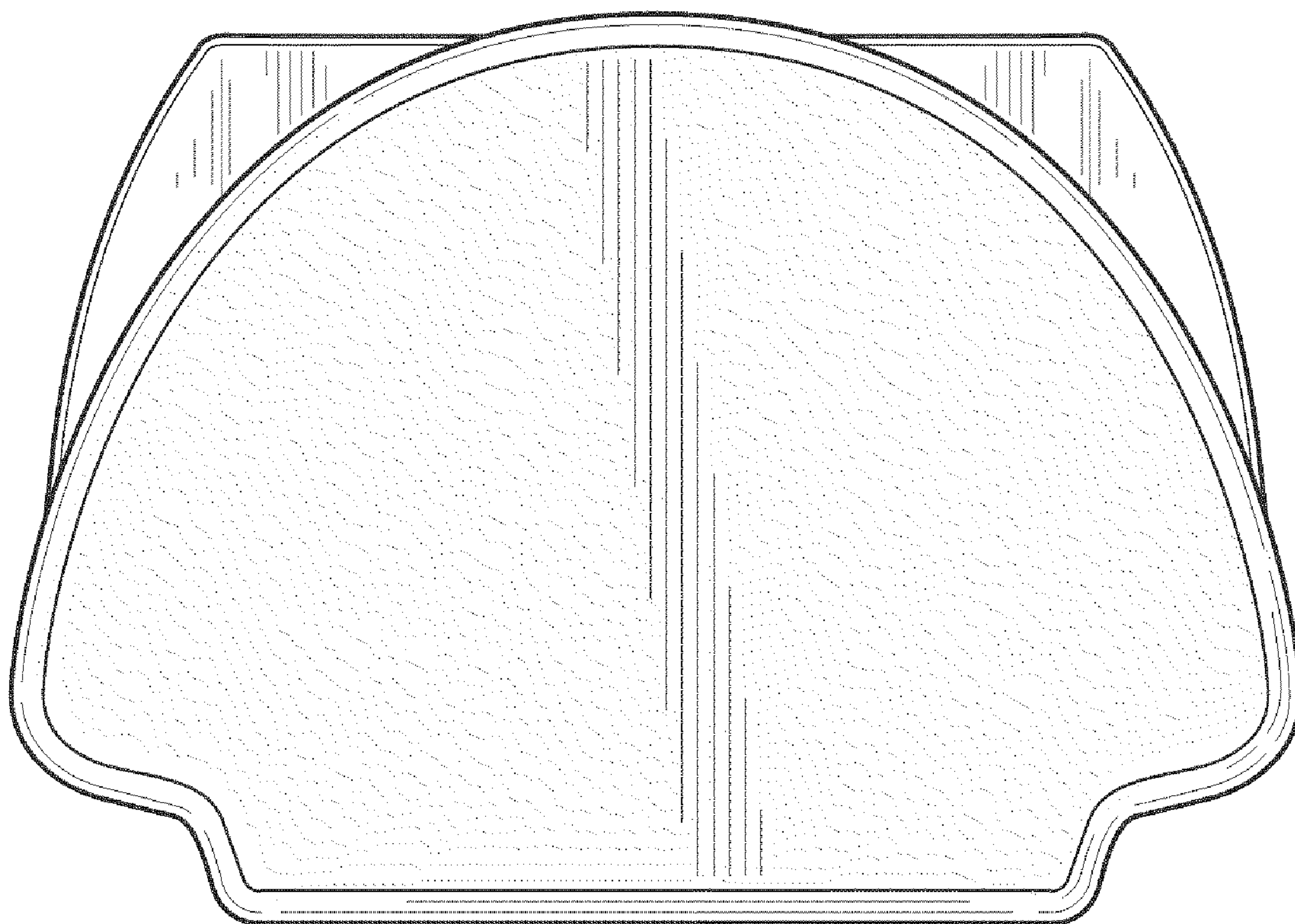


FIG. 7