



US00D583570S

(12) **United States Design Patent**
Mohundro

(10) **Patent No.:** **US D583,570 S**

(45) **Date of Patent:** **** Dec. 30, 2008**

(54) **MIRROR**

D560,916 S * 2/2008 Schmitt D6/300

(76) Inventor: **James Glenn Mohundro**, 3F-4 No. 161,
Kung-I Road, Taichung City (TW)

* cited by examiner

(**) Term: **14 Years**

Primary Examiner—Caron Veynar

Assistant Examiner—Sydney R Buffalow

(74) *Attorney, Agent, or Firm*—Bacon & Thomas, PLLC

(21) Appl. No.: **29/290,206**

(22) Filed: **Nov. 2, 2007**

(57) **CLAIM**

The ornamental design for a mirror, as shown and described.

(51) **LOC (8) Cl.** **06-04**

(52) **U.S. Cl.** **D6/300**

(58) **Field of Classification Search** D6/300–314,
D6/444, 568, 432; 40/700, 735, 738, 744,
40/798

DESCRIPTION

FIG. 1 is a perspective view of a mirror, showing my new design;

FIG. 2 is a front elevational view thereof;

FIG. 3 is a rear elevational view thereof;

FIG. 4 is a left elevational view thereof;

FIG. 5 is a right elevational view thereof;

FIG. 6 is a top plan view thereof; and,

FIG. 7 is a bottom plan view thereof.

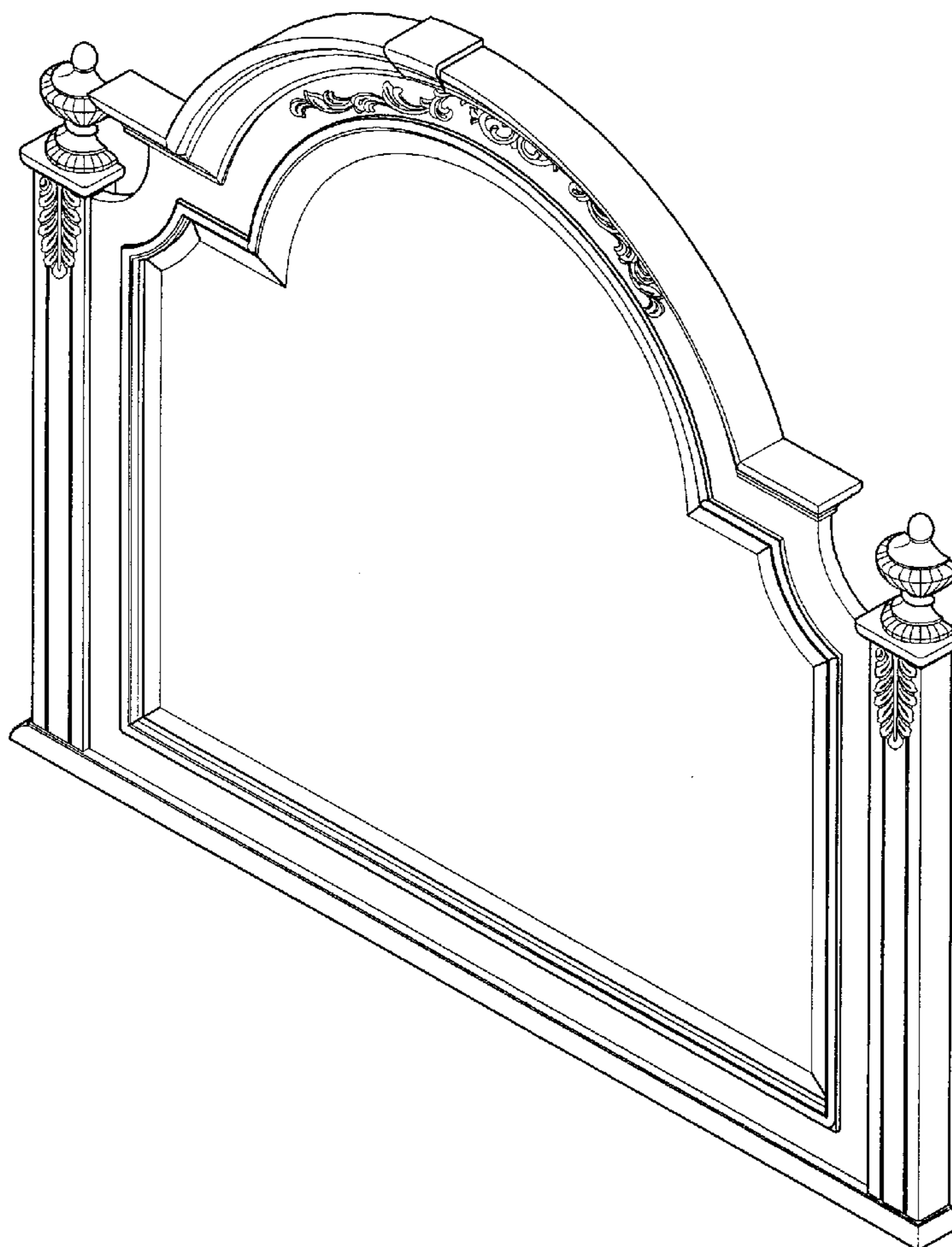
See application file for complete search history.

(56) **References Cited**

U.S. PATENT DOCUMENTS

D487,548 S *	3/2004	Schmitt	D6/444
D488,936 S *	4/2004	Schmitt	D6/444
D524,060 S *	7/2006	Schmitt	D6/300
D526,130 S *	8/2006	Mohundro	D6/300
D526,793 S *	8/2006	Schmitt	D6/300

1 Claim, 5 Drawing Sheets



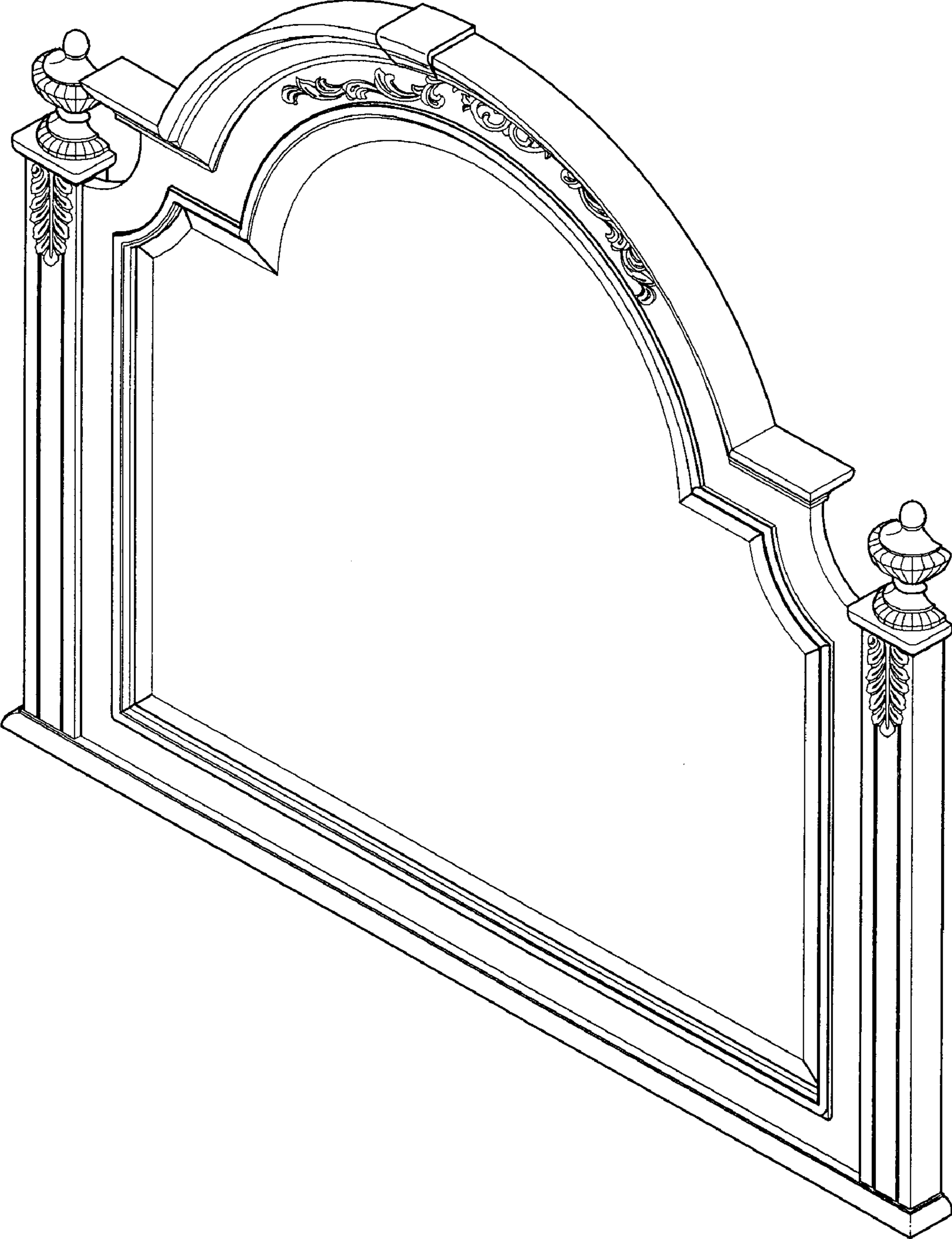


FIG.1

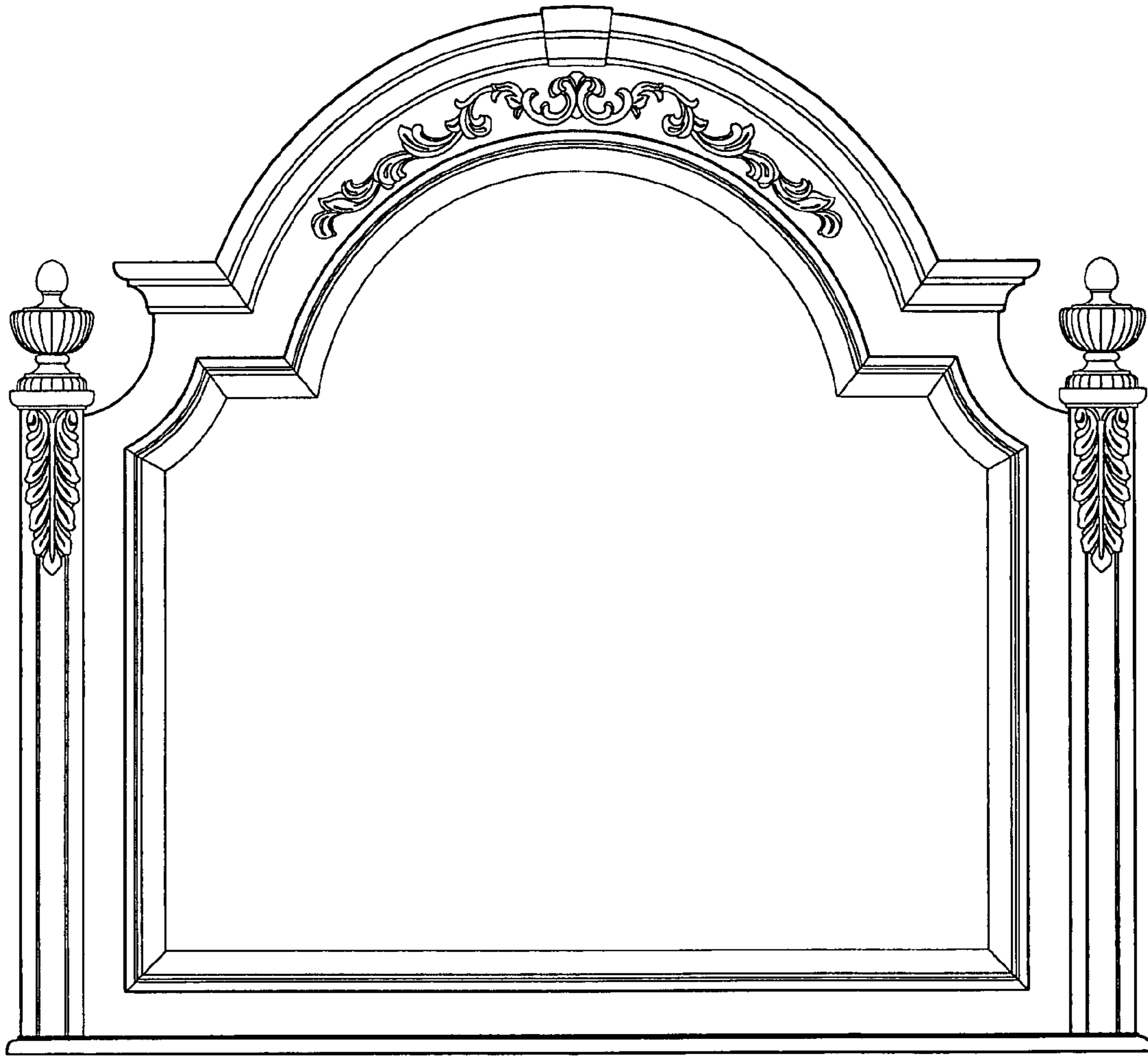


FIG.2

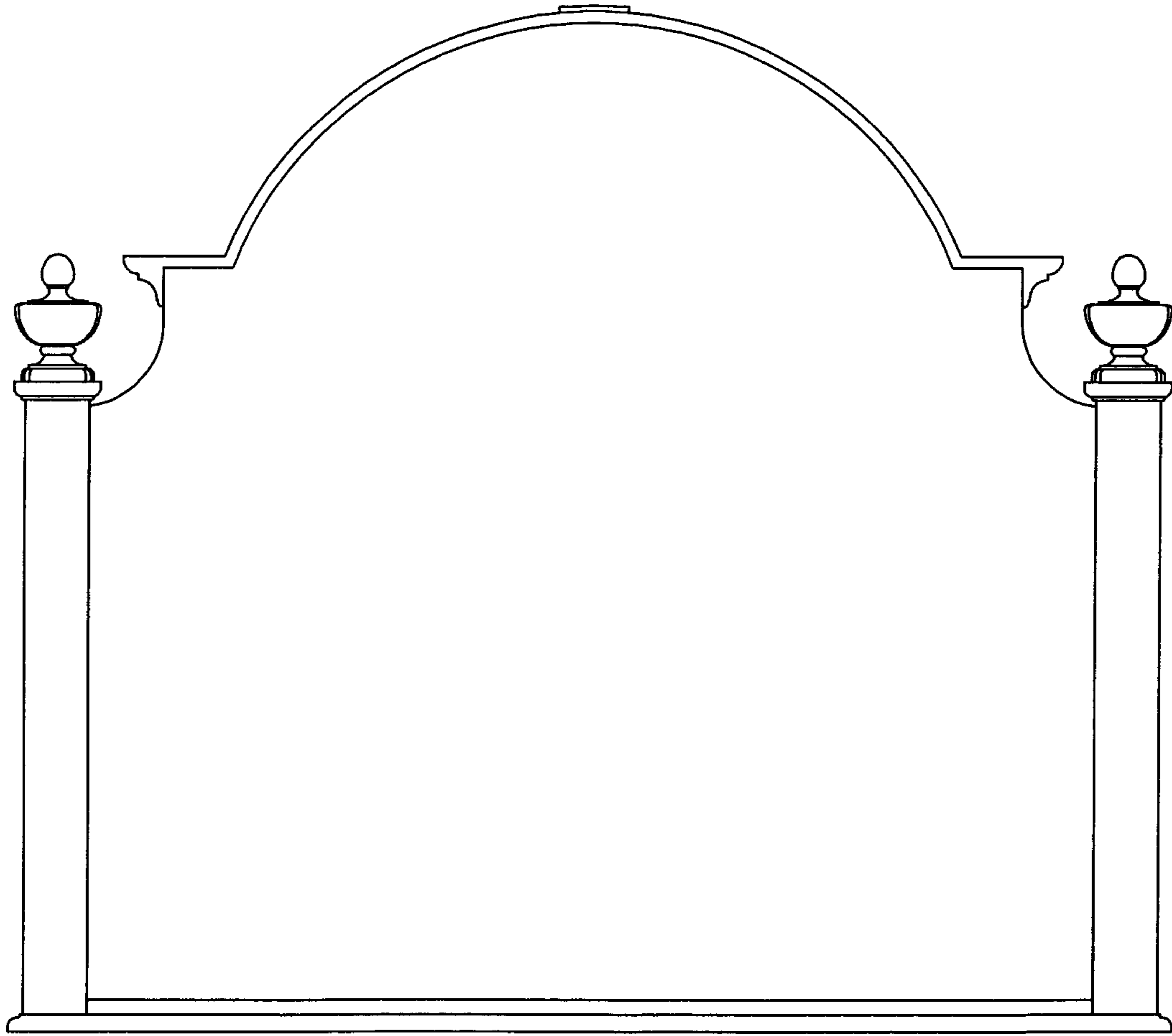


FIG.3

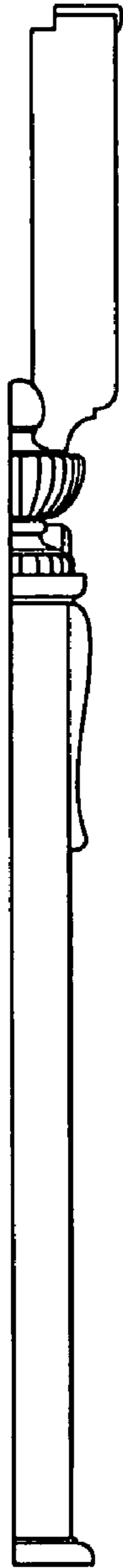


FIG. 4

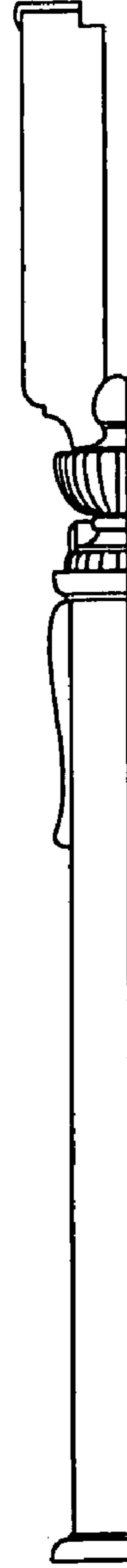


FIG. 5



FIG. 6

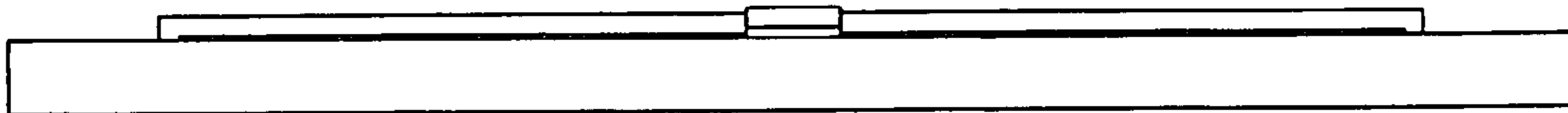


FIG. 7