



US00D583561S

(12) **United States Design Patent**
Krusenstjerna

(10) **Patent No.:** **US D583,561 S**

(45) **Date of Patent:** **** Dec. 30, 2008**

(54) **MAGNETICALLY SEALING STORAGE BOX**

(76) Inventor: **Eric Krusenstjerna**, 835 E. 37th Ave., Eugene, OR (US) 97405

(**) Term: **14 Years**

(21) Appl. No.: **29/289,639**

(22) Filed: **Jul. 27, 2007**

(51) **LOC (8) Cl.** **03-01**

(52) **U.S. Cl.** **D3/298**

(58) **Field of Classification Search** D3/273–274, D3/294–298, 302, 904; D7/601–602, 605, D7/612; D9/414, 430, 432; D19/75; 206/6.1, 206/267, 758, 818; 220/345.3, 345.4
See application file for complete search history.

(56) **References Cited**

U.S. PATENT DOCUMENTS

173,360	A *	2/1876	Snider et al.	217/63
2,531,737	A *	11/1950	Lyon, Jr.	220/345.3
3,362,564	A *	1/1968	Mueller	220/345.3
3,482,546	A *	12/1969	Anderson	119/166
3,531,012	A *	9/1970	Bergh et al.	220/345.4
D229,097	S *	11/1973	Kroger	D3/264
3,782,584	A *	1/1974	Swenson et al.	220/345.3
4,110,552	A *	8/1978	Lombardi	174/367
4,126,224	A *	11/1978	Laauwe et al.	206/540
4,190,191	A *	2/1980	Forbes, Jr.	229/125.12
D261,717	S *	11/1981	Mont	D7/612
4,342,403	A *	8/1982	Badtke et al.	220/350
4,946,057	A *	8/1990	Connolly et al.	220/481
5,080,222	A *	1/1992	McNary	206/1.5
D339,686	S *	9/1993	Feuer	D3/271.1
D447,669	S *	9/2001	Tzeng Wu	D7/615
D505,546	S *	5/2005	Lau	D3/273
D561,989	S *	2/2008	Jones	D3/201
2005/0279020	A1 *	12/2005	Hsu	47/17

2006/0096337 A1 * 5/2006 Walton 68/213
2007/0193909 A1 * 8/2007 Chin et al. 206/457

* cited by examiner

Primary Examiner—Philip Hyder
Assistant Examiner—Roselynn Cody

(57) **CLAIM**

The ornamental design for a magnetically sealing storage box, as shown and described.

DESCRIPTION

FIG. 1 is a perspective drawing of a magnetically sealing storage box, in accordance with the claimed design.

FIG. 2 is a front elevation view of the storage box of FIG. 1.

FIG. 3 is side elevation view of the storage box of FIG. 1.

FIG. 4 is the other side elevation view of the storage box of FIG. 1.

FIG. 5 is rear elevation view of the storage box of FIG. 1.

FIG. 6 is a top plan view of the storage box of FIG. 1.

FIG. 7 is a bottom plan view of the storage box of FIG. 1.

FIG. 8 is a perspective view of the storage box of FIG. 1, showing the box with a partially removed second member.

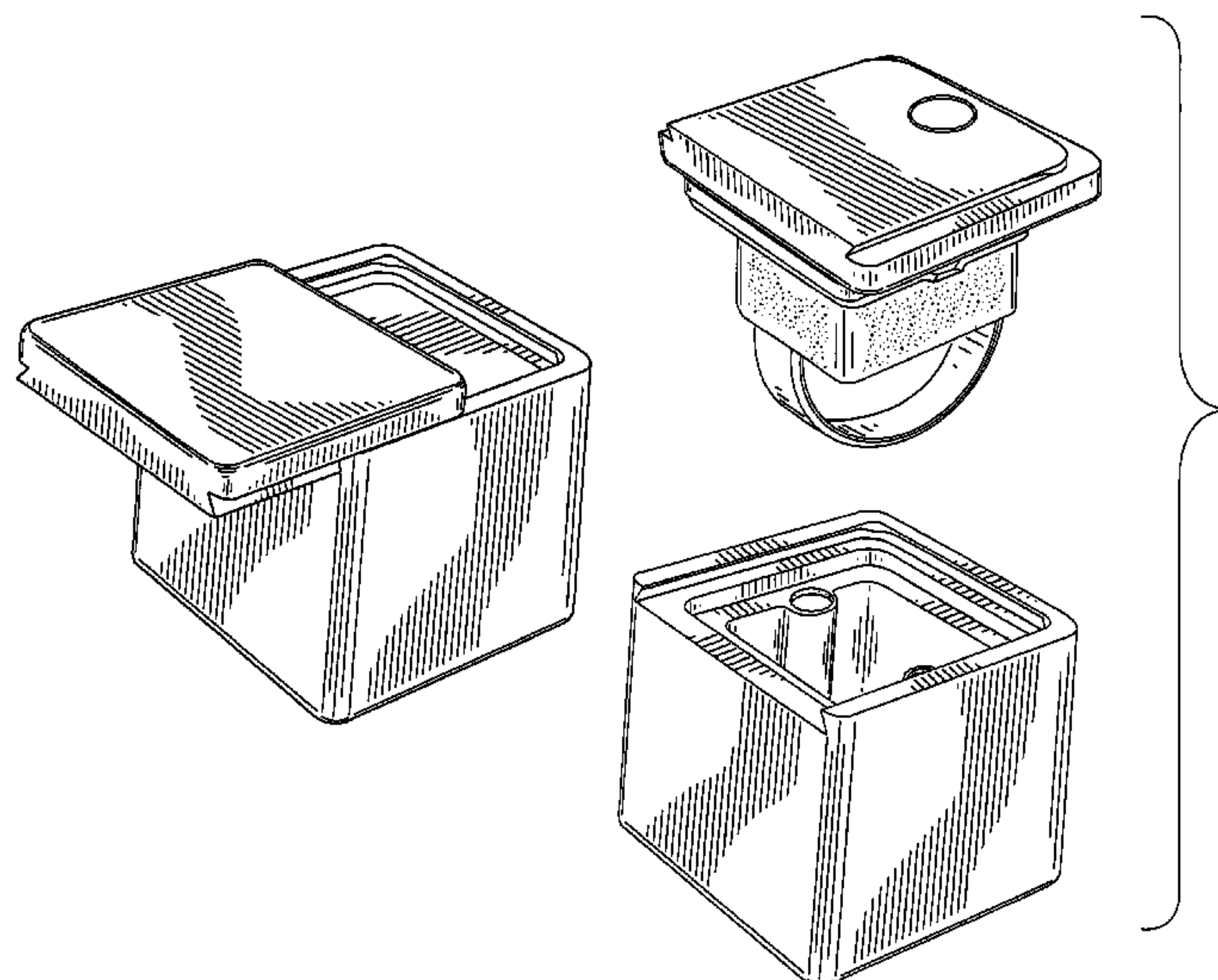
FIG. 9 is a perspective view of the storage box of FIG. 1, showing the box with a completely removed second member.

FIG. 10 is a perspective view of the storage box of FIG. 1, showing the box with the removed second member in a rotated position.

FIG. 11 is a perspective view of the storage box of FIG. 1, showing the box with the removed, rotated second member resting on a coupling mechanism and above a first member; and,

FIG. 12 is a perspective view of the storage box of FIG. 1, showing the box with the removed, rotated second member attached to the first member.

1 Claim, 12 Drawing Sheets



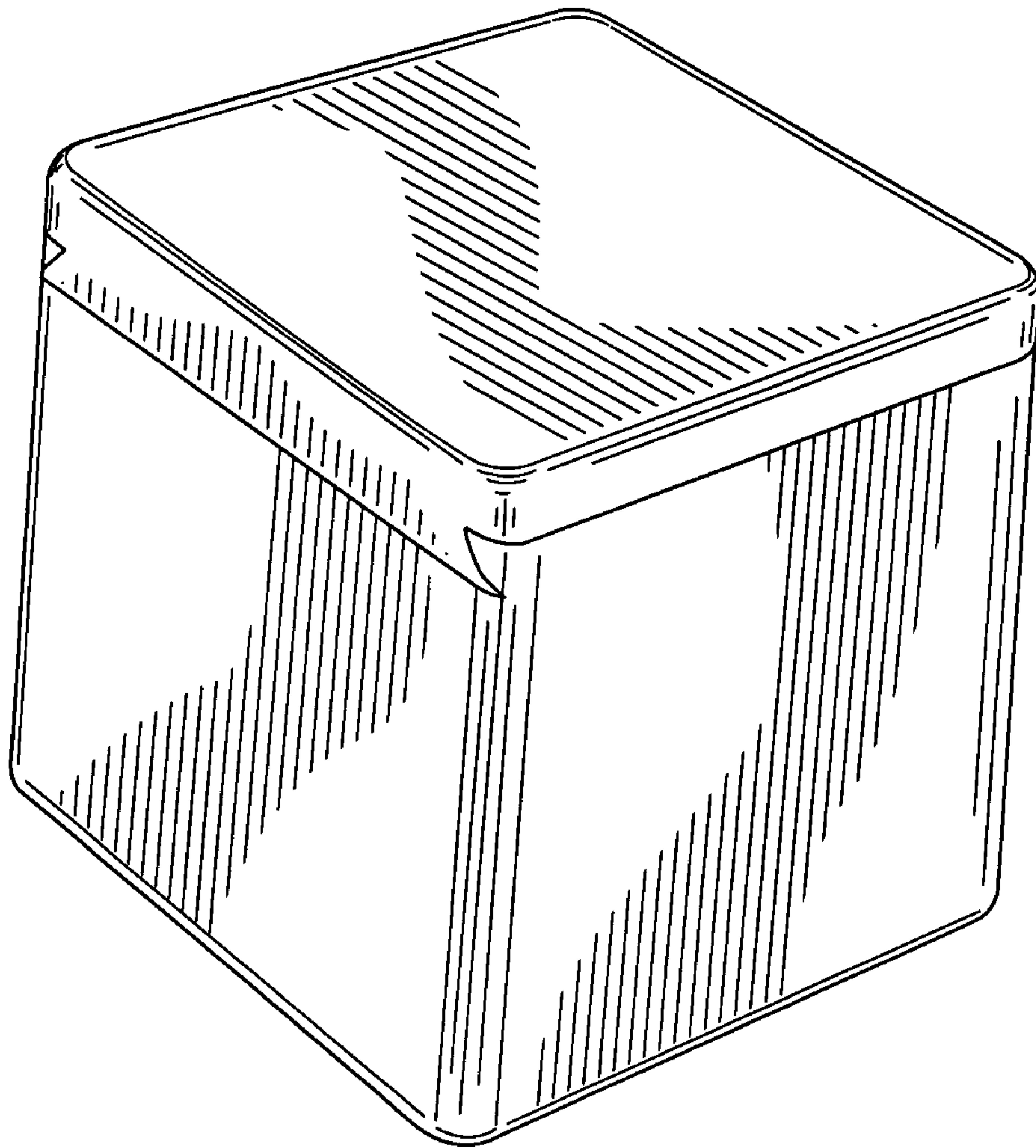


FIG. 1

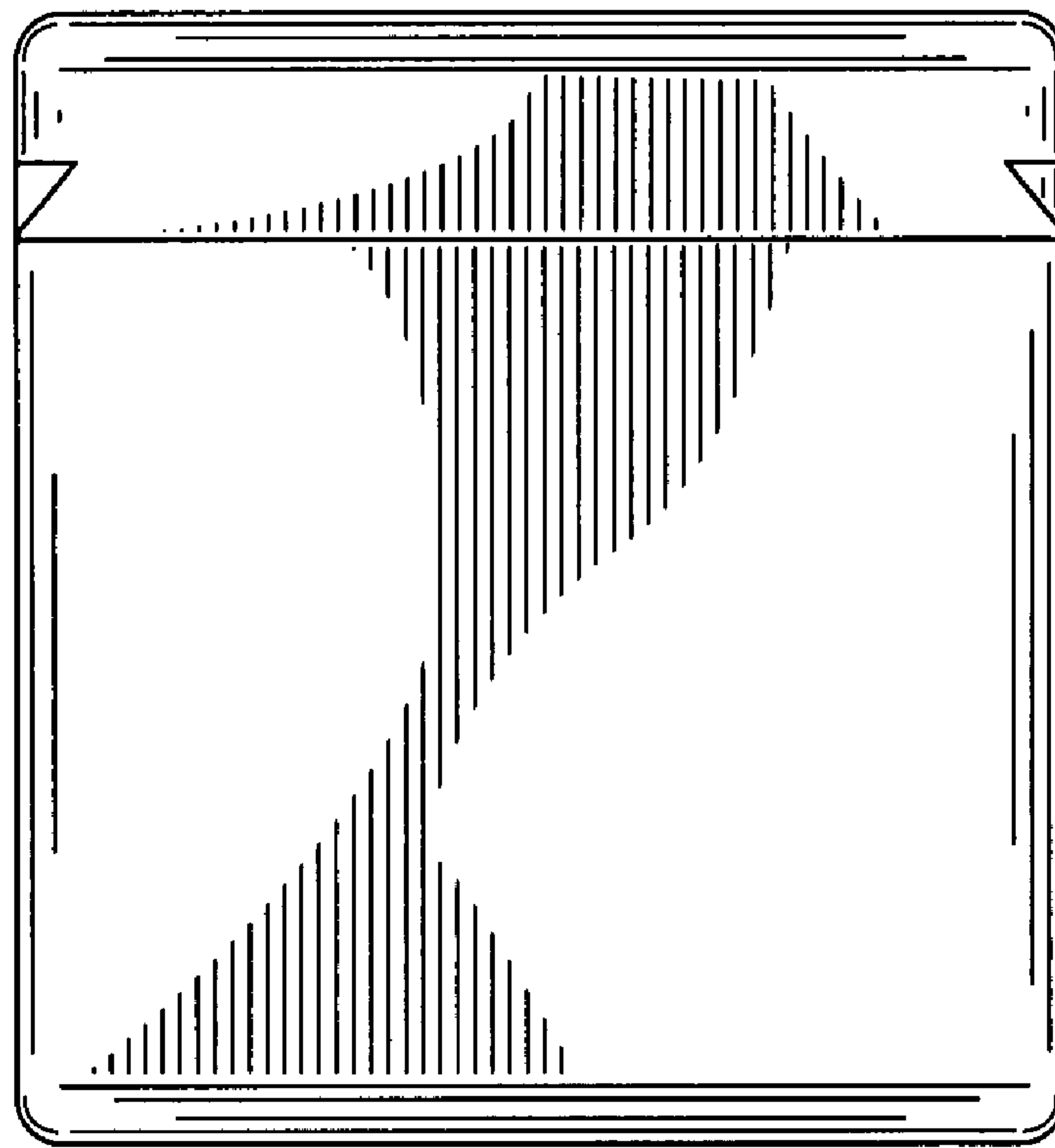


FIG. 2

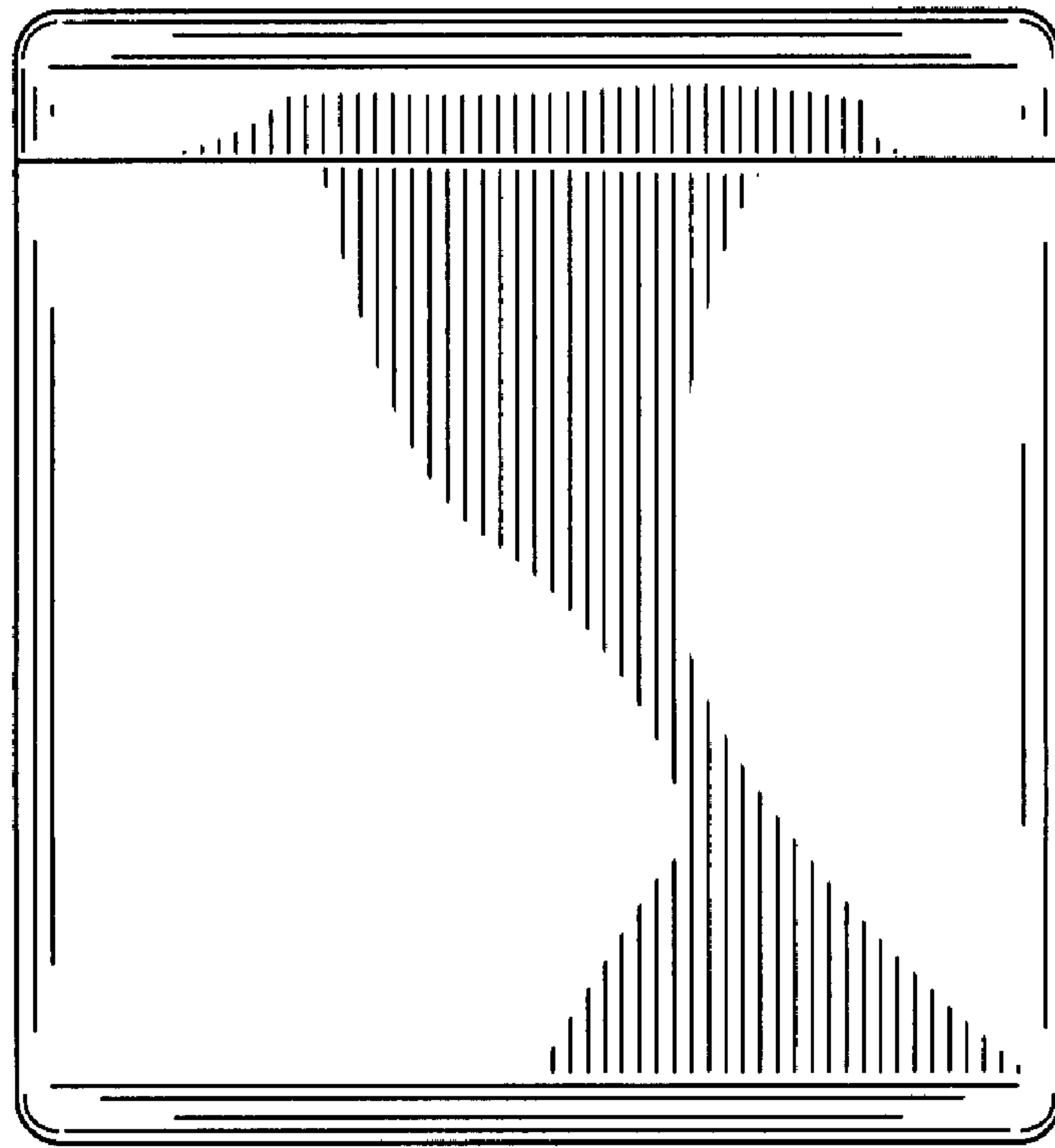


FIG. 3

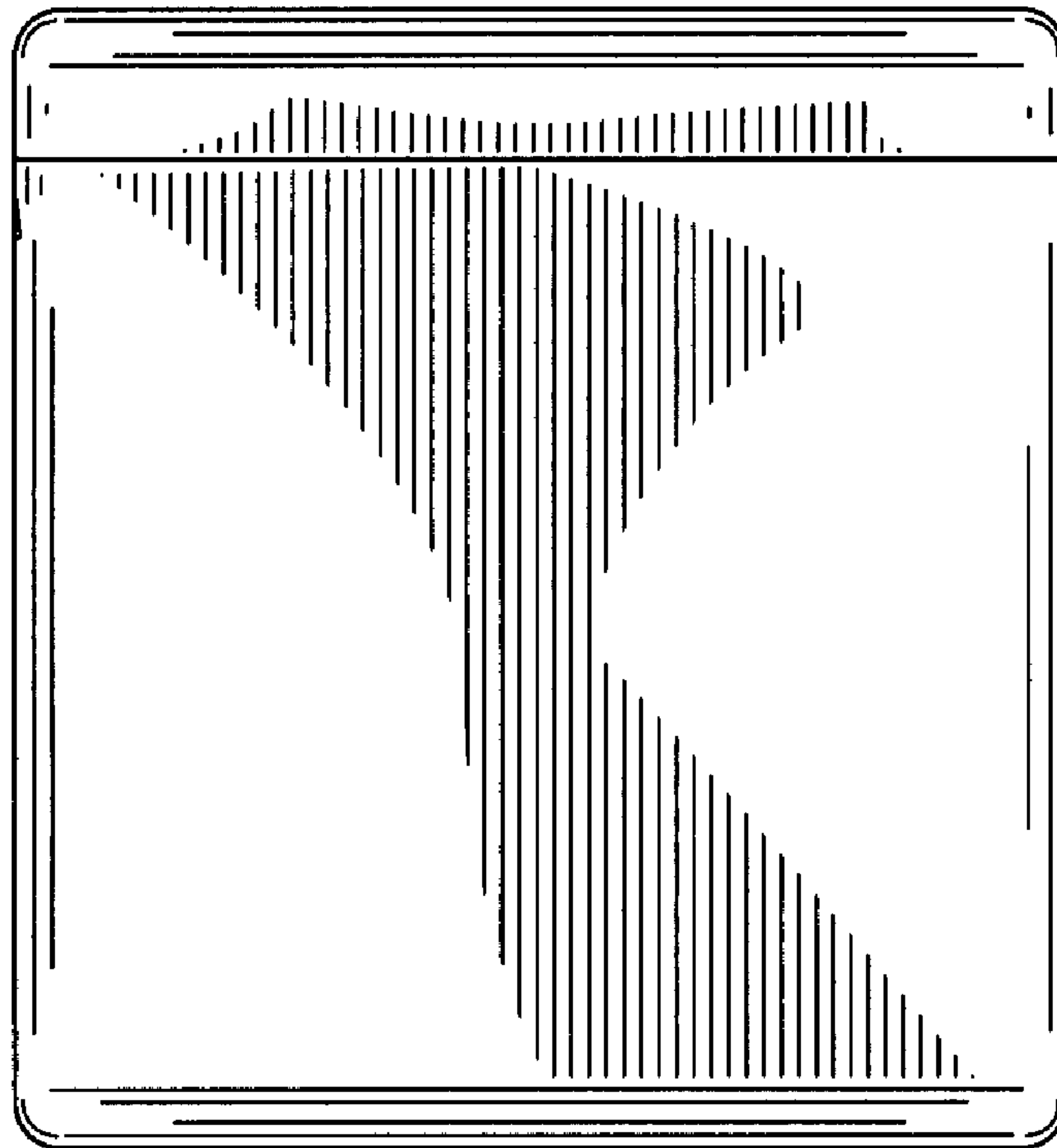


FIG. 4

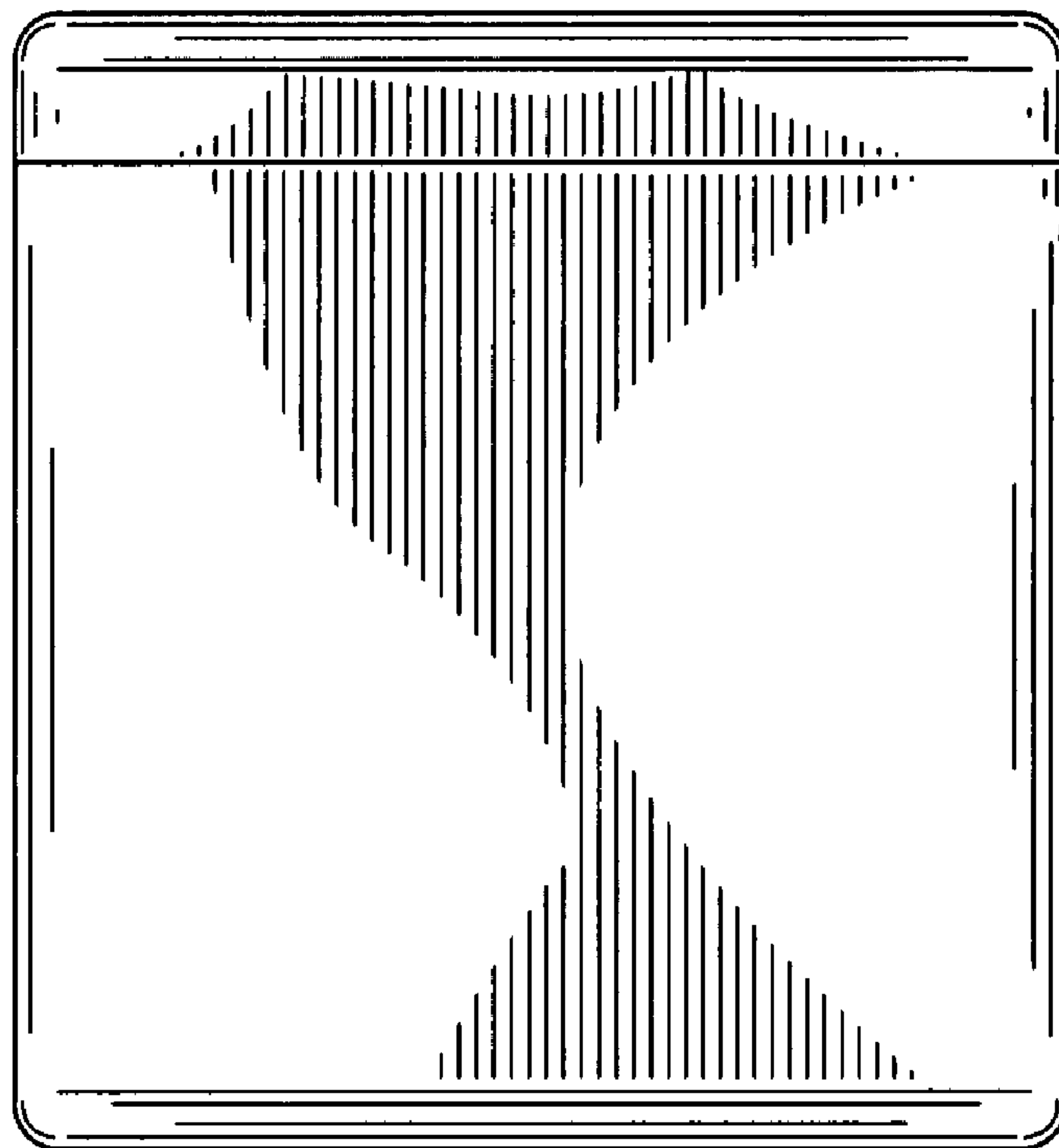


FIG. 5

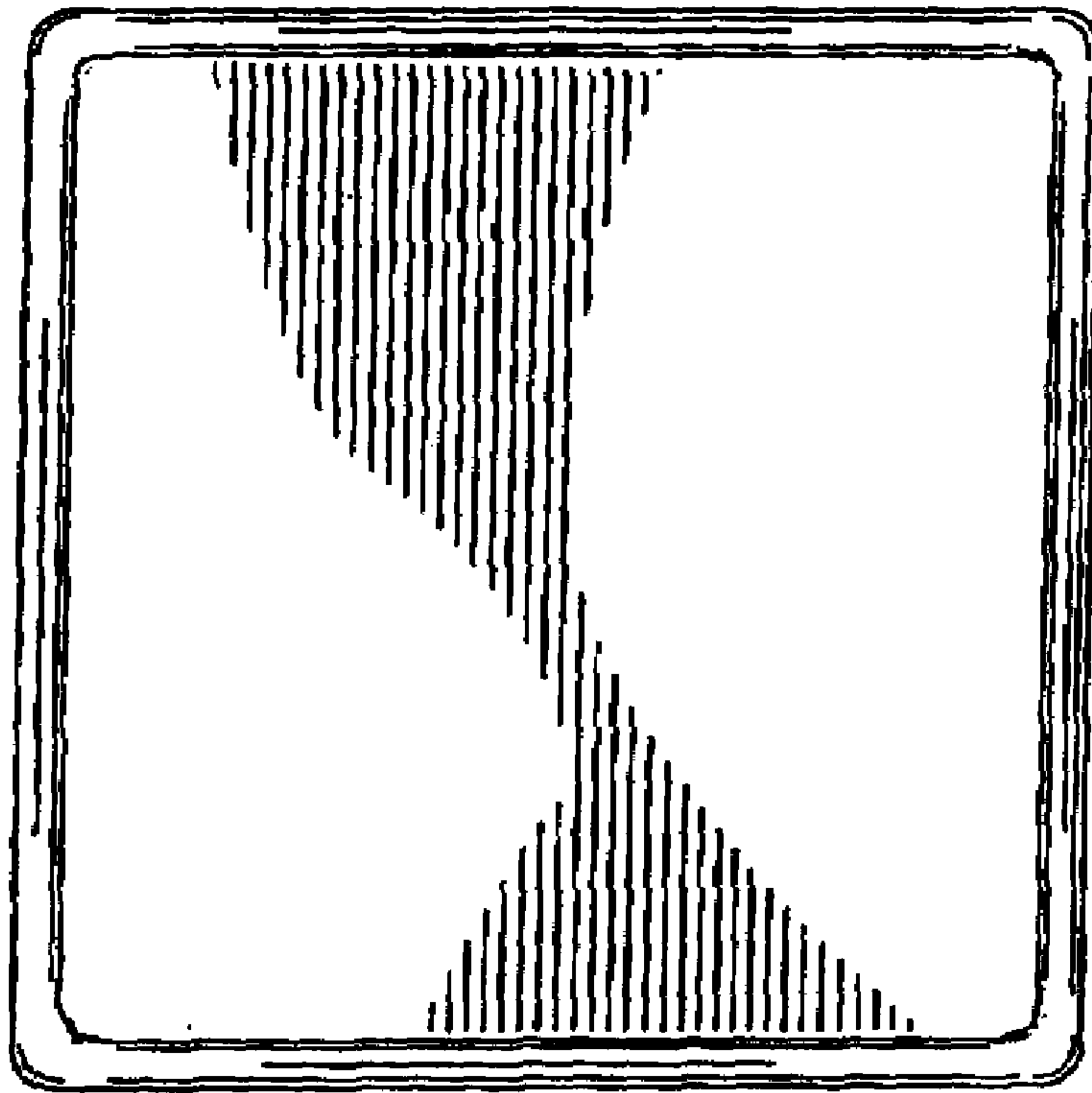


FIG. 6

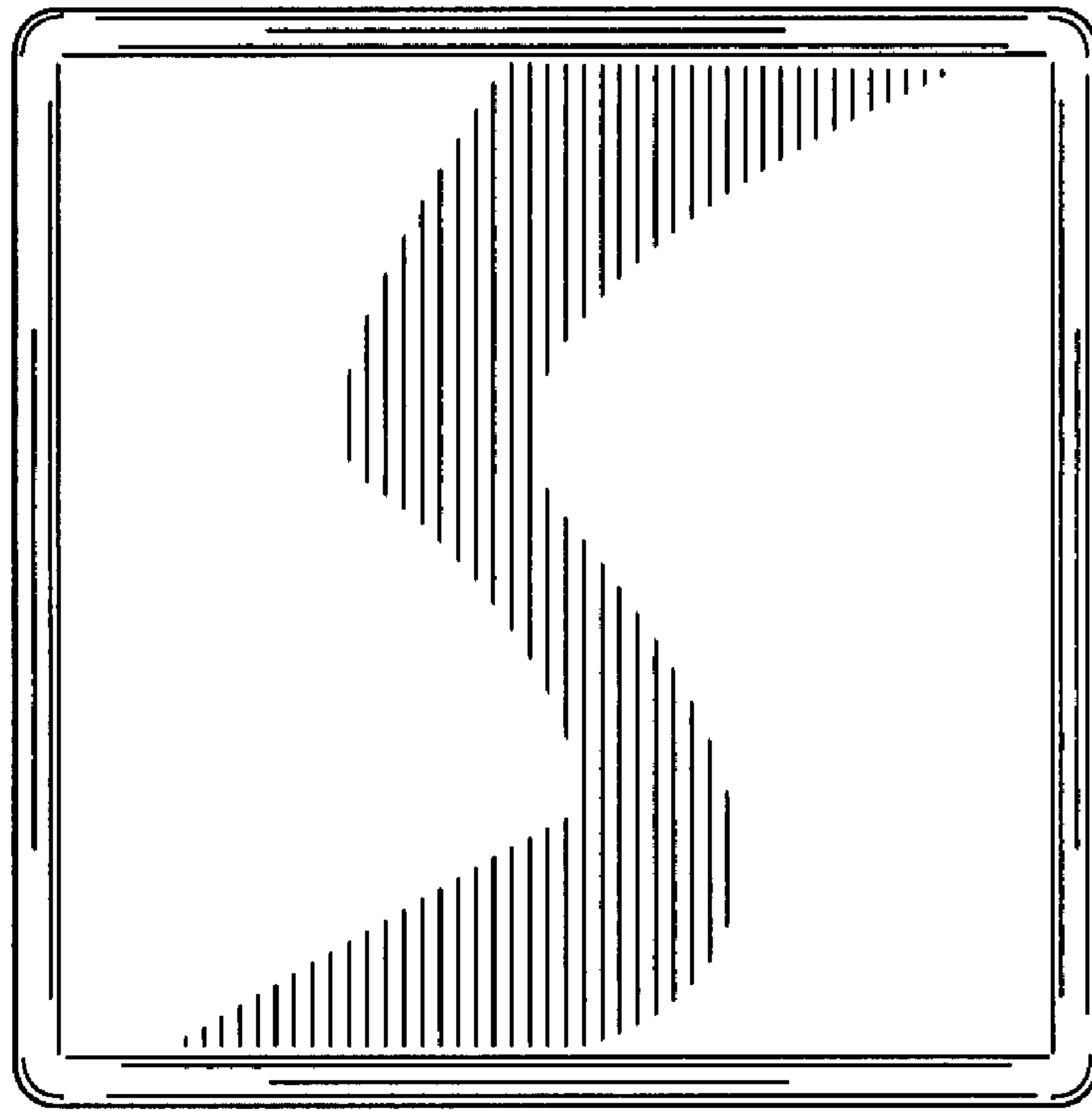


FIG. 7

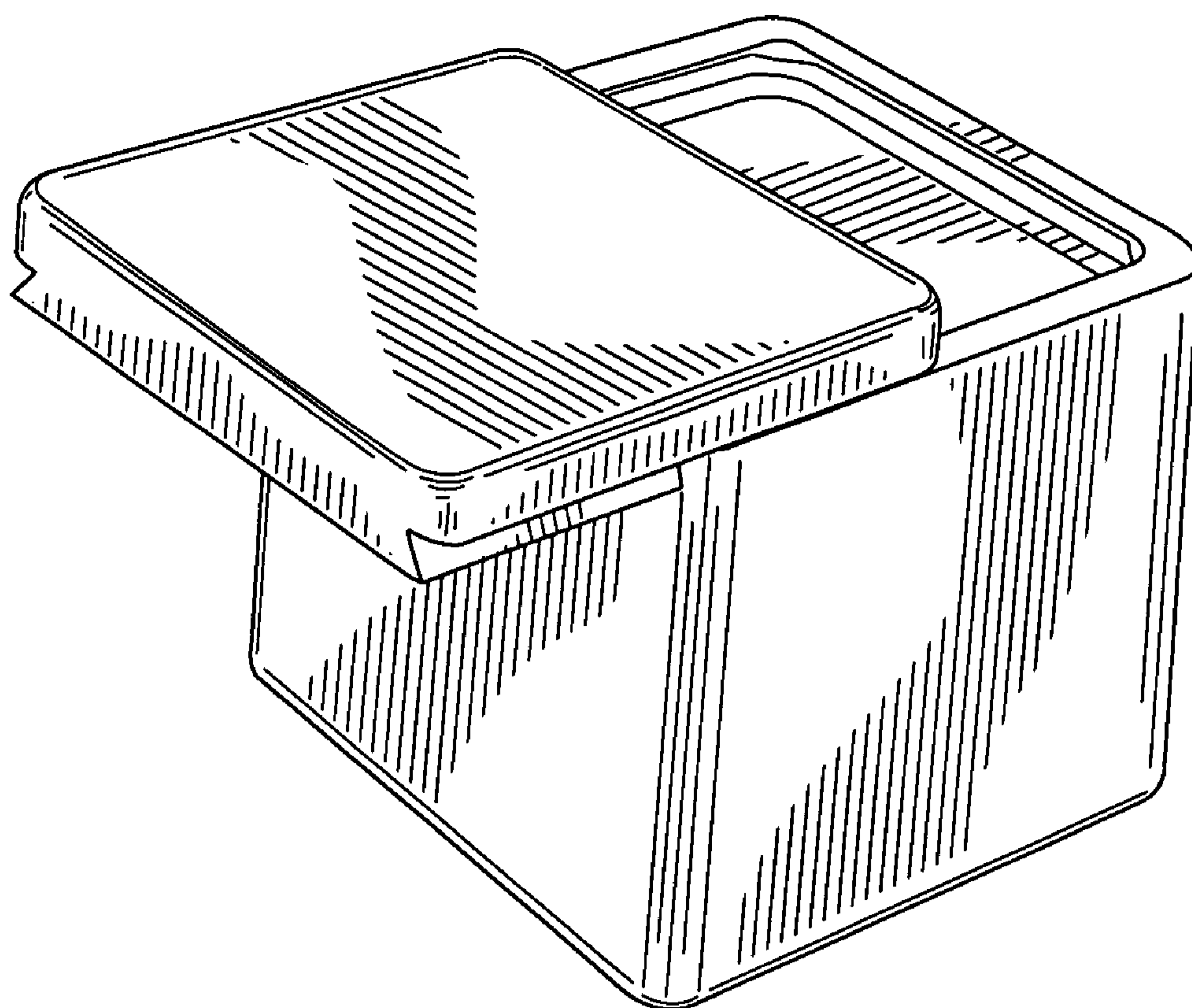


FIG. 8

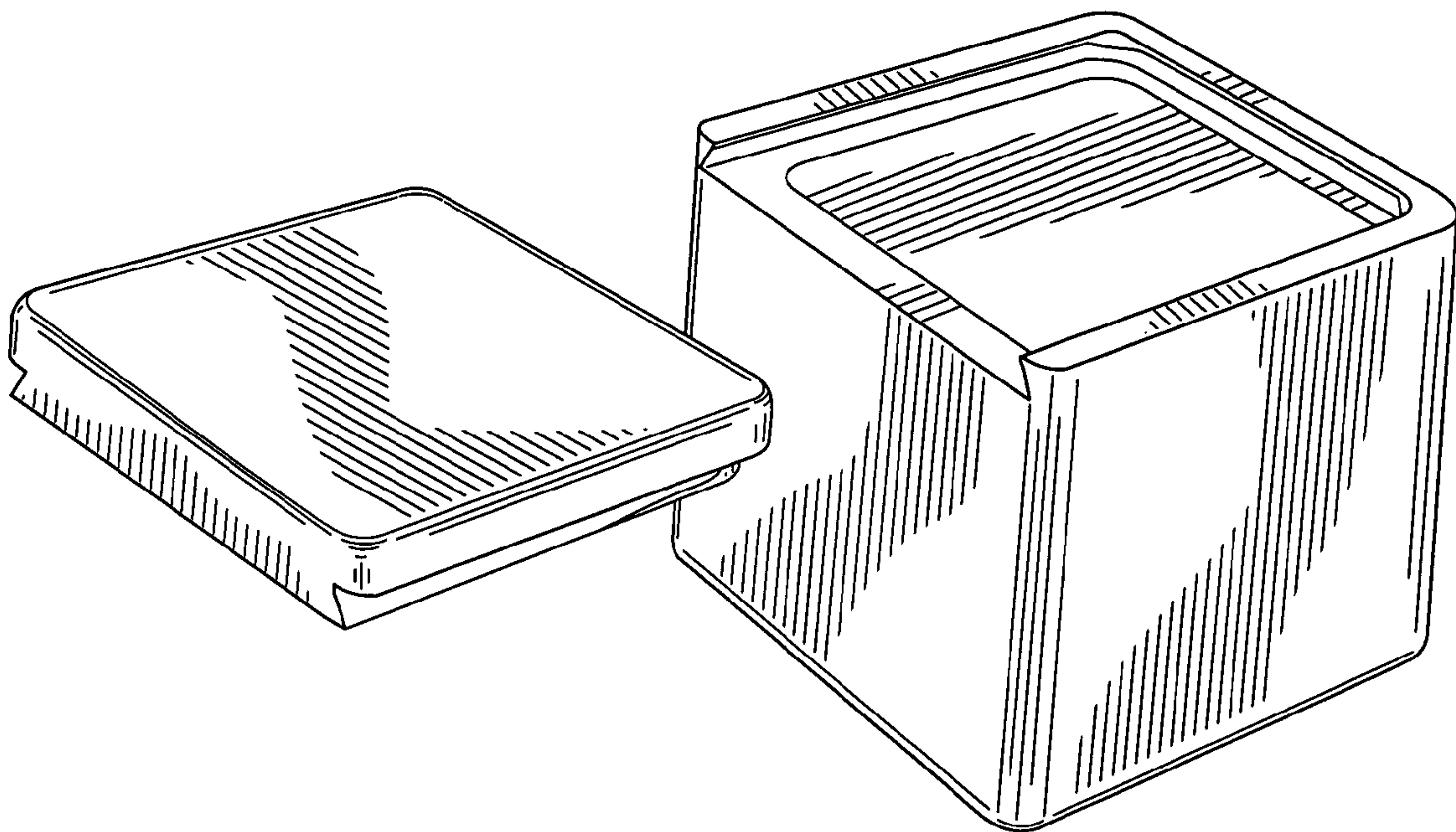


FIG. 9

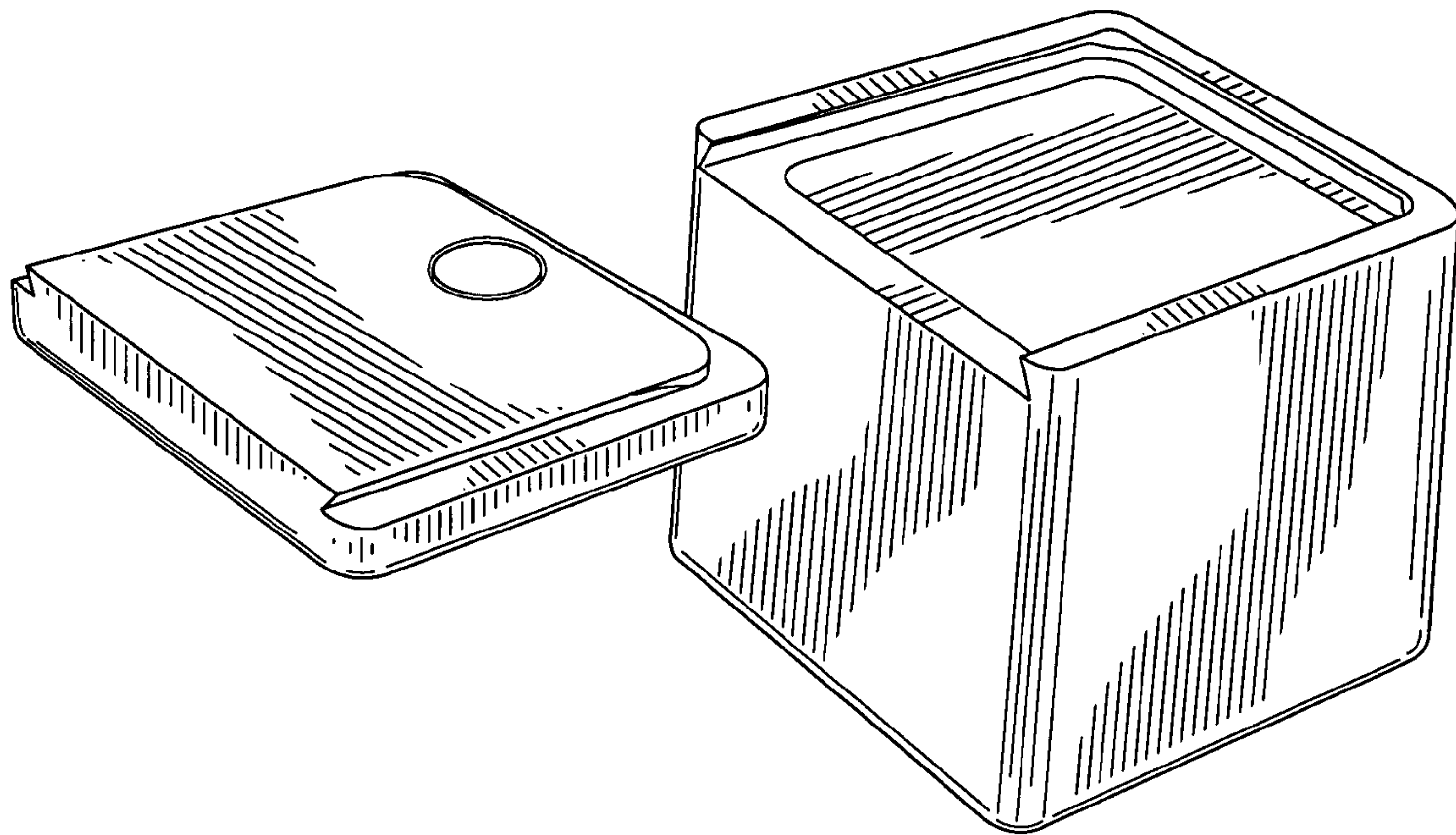


FIG. 10

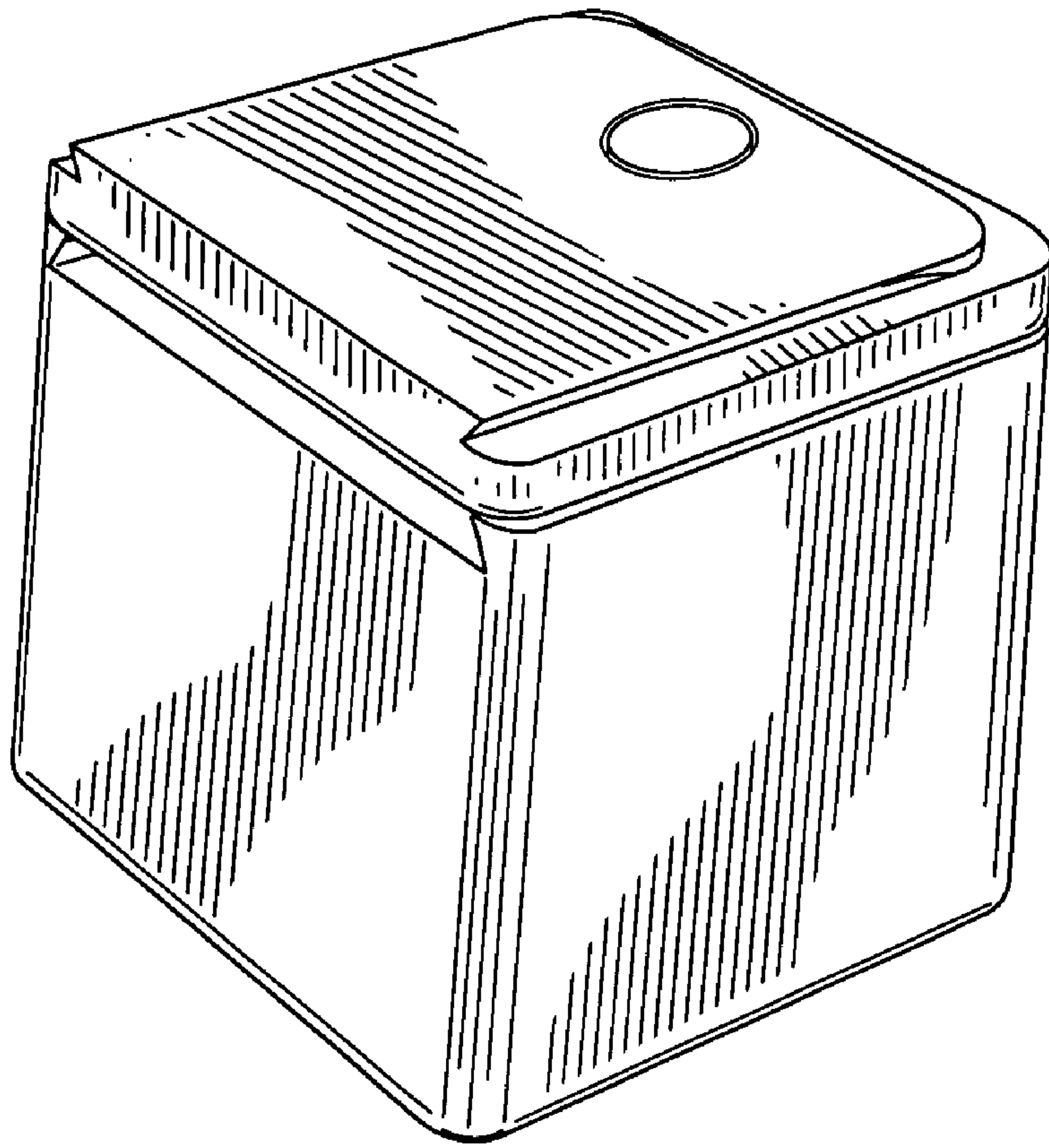


FIG. 11

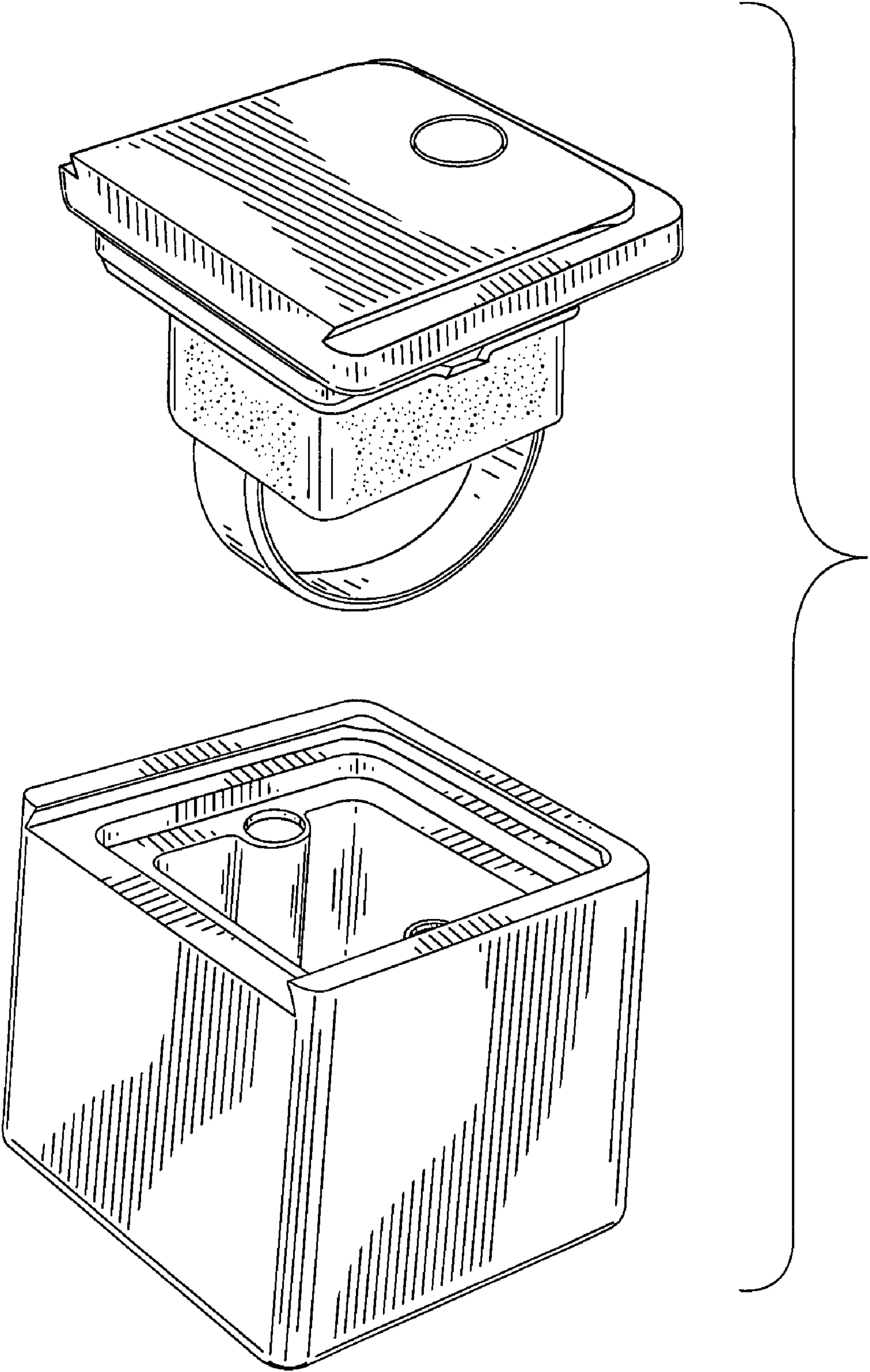


FIG. 12