



US00D583549S

(12) **United States Design Patent**
Schuyler

(10) **Patent No.:** **US D583,549 S**

(45) **Date of Patent:** **** Dec. 30, 2008**

(54) **TOOL HOLDER**

D506,311 S * 6/2005 Nigh D3/228

(76) **Inventor:** **Gerald I Schuyler**, 420 Hidden Brook Ct., Henderson, NV (US) 89015

* cited by examiner

Primary Examiner—Catherine R Oliver

(**) **Term:** **14 Years**

(57) **CLAIM**

(21) **Appl. No.:** **29/302,377**

The ornamental design for a tool holder, as shown and described.

(22) **Filed:** **Jan. 15, 2008**

(51) **LOC (8) Cl.** **03-01**

DESCRIPTION

(52) **U.S. Cl.** **D3/228**

(58) **Field of Classification Search** D3/228,
D3/224, 226, 215, 219, 205; 206/372-373,
206/336-340; 224/240-241, 245, 676-677,
224/673, 901, 904

FIG. 1 is a front elevational view of a tool holder showing my new design;

FIG. 2 is a rear elevational view thereof;

FIG. 3 is a right elevational view thereof;

FIG. 4 is a top plan view thereof;

FIG. 5 is a bottom plan; and,

FIG. 6 is an isometric view thereof.

See application file for complete search history.

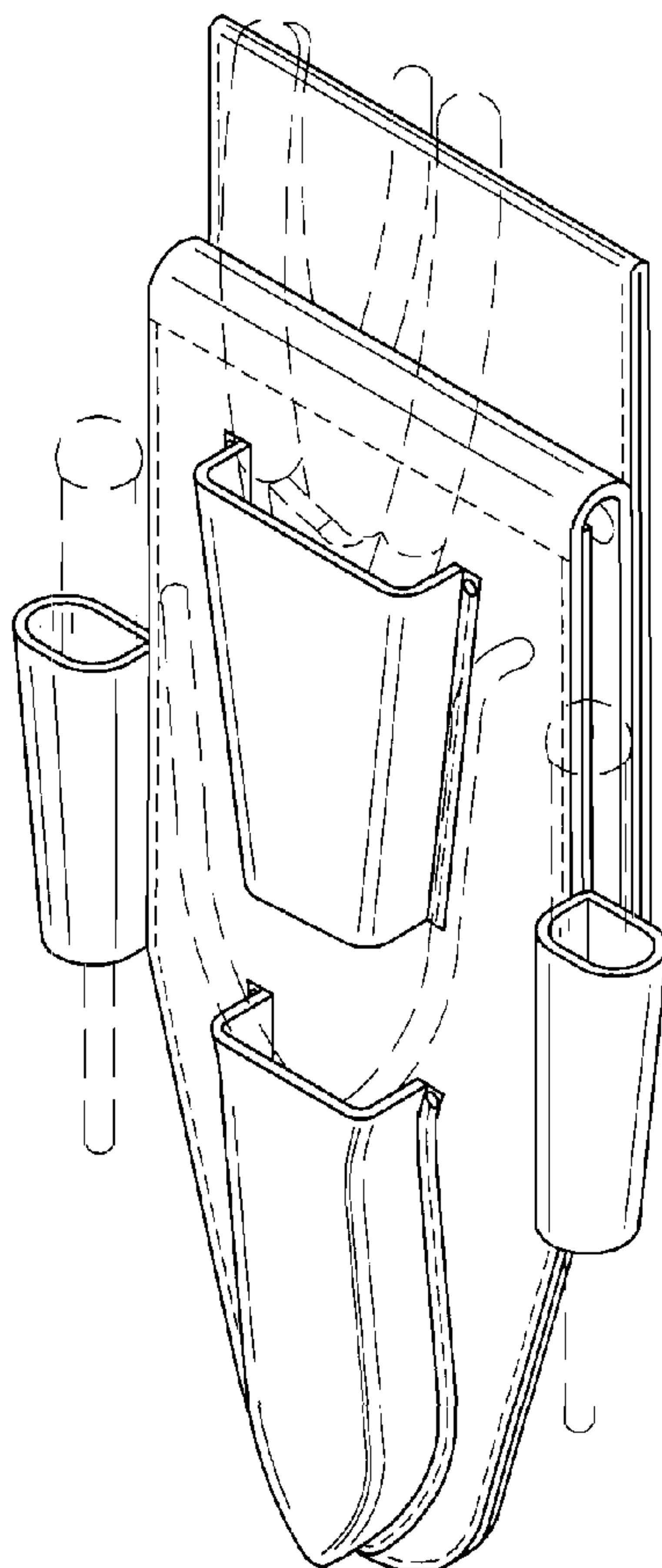
The dashed lines in FIGS. 1 through 6 represent stitching and form part of the claimed design. The broken lines shown in FIG. 6 are for illustrative purposes only and form no part of the claimed design.

(56) **References Cited**

U.S. PATENT DOCUMENTS

D271,253 S	11/1983	Abatie	
D417,073 S *	11/1999	Diener et al.	D3/228
D433,229 S *	11/2000	Harker et al.	D3/228
D451,276 S *	12/2001	Nigh	D3/228
6,612,471 B2	9/2003	Sellars	
6,659,321 B2	12/2003	Hartranft et al.	

1 Claim, 3 Drawing Sheets



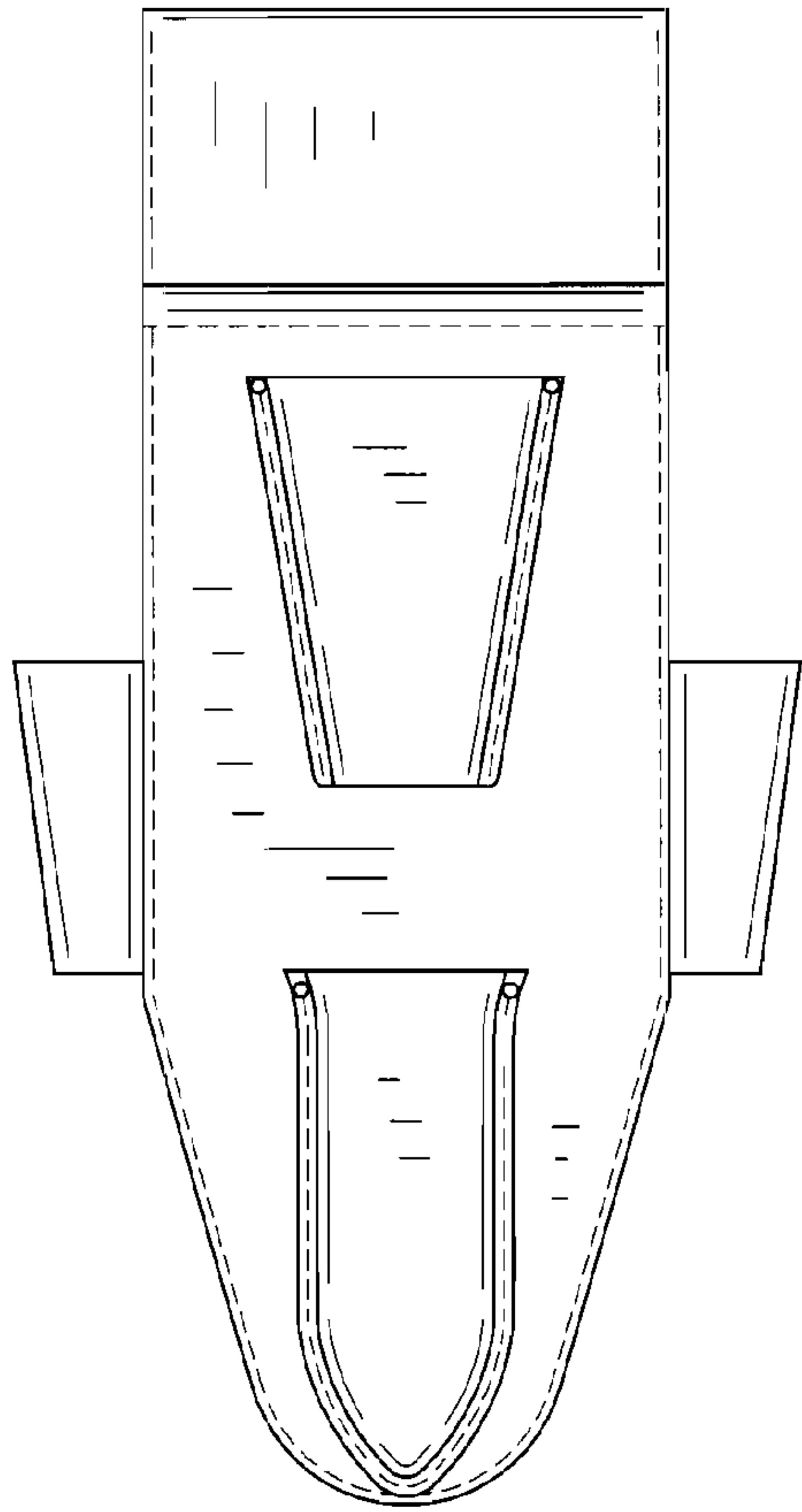


FIG. 1

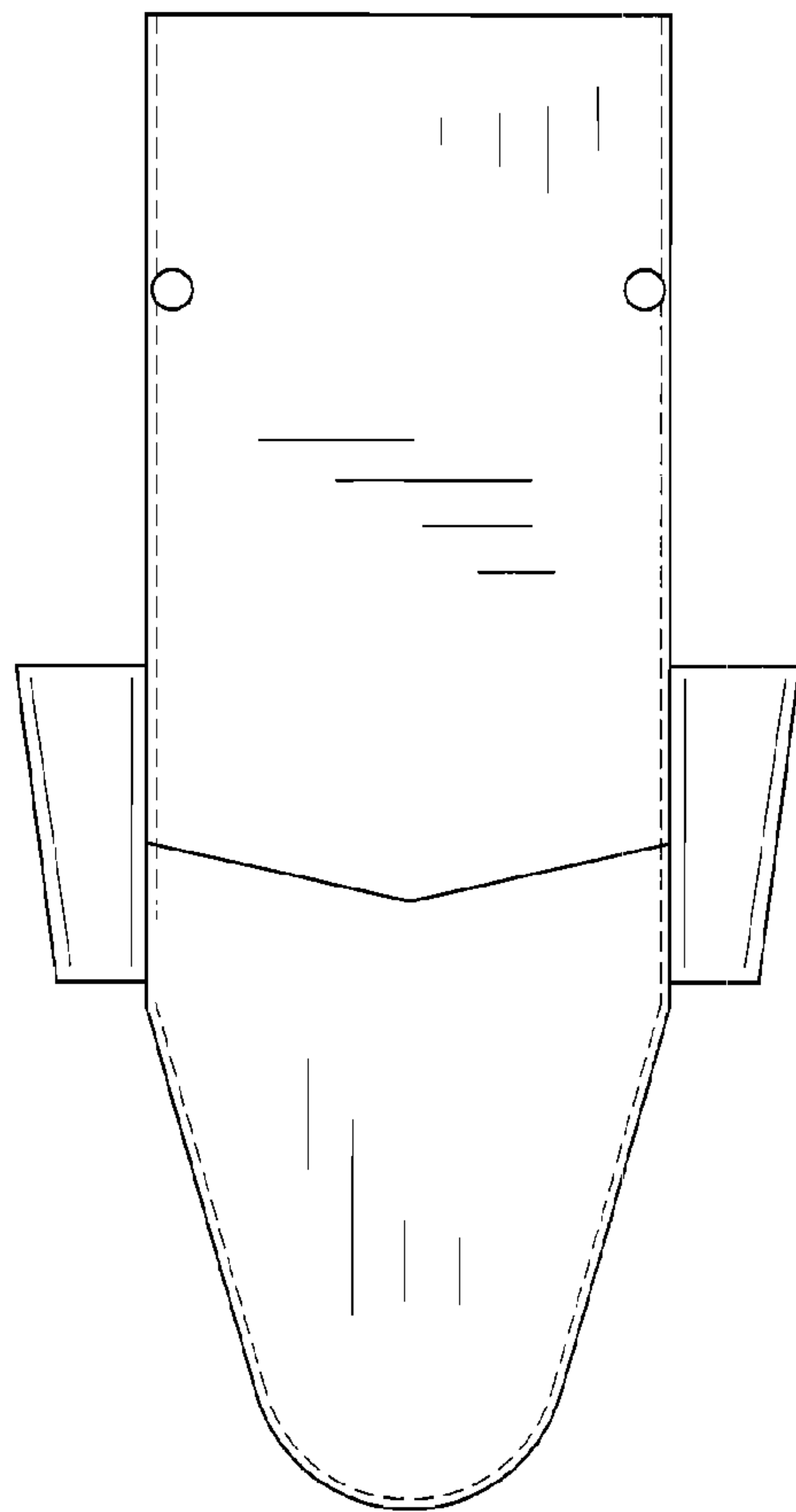


FIG. 2

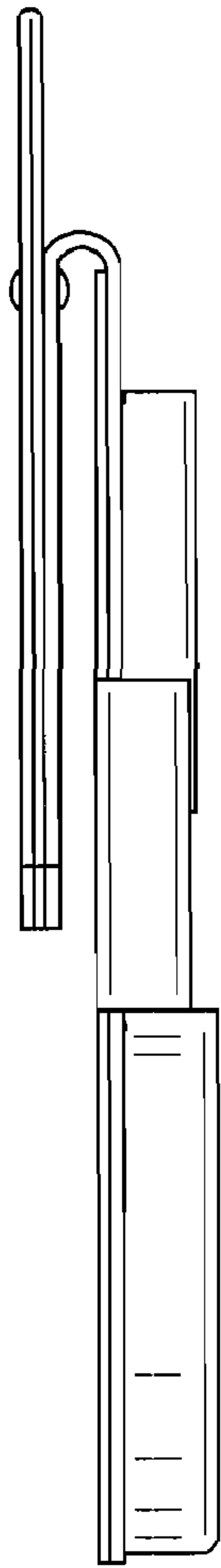


FIG. 3

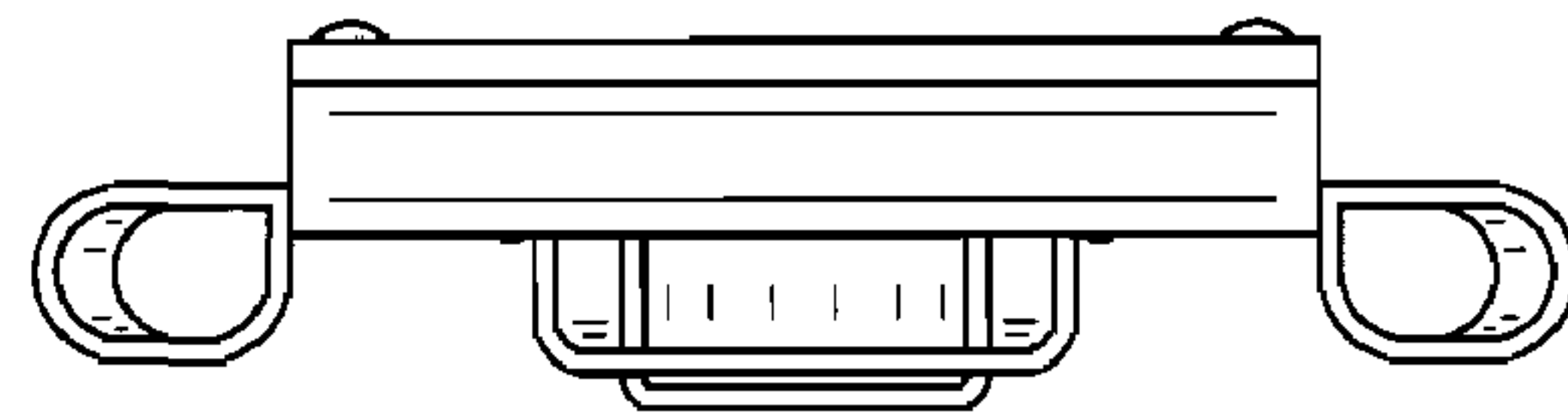


FIG. 4

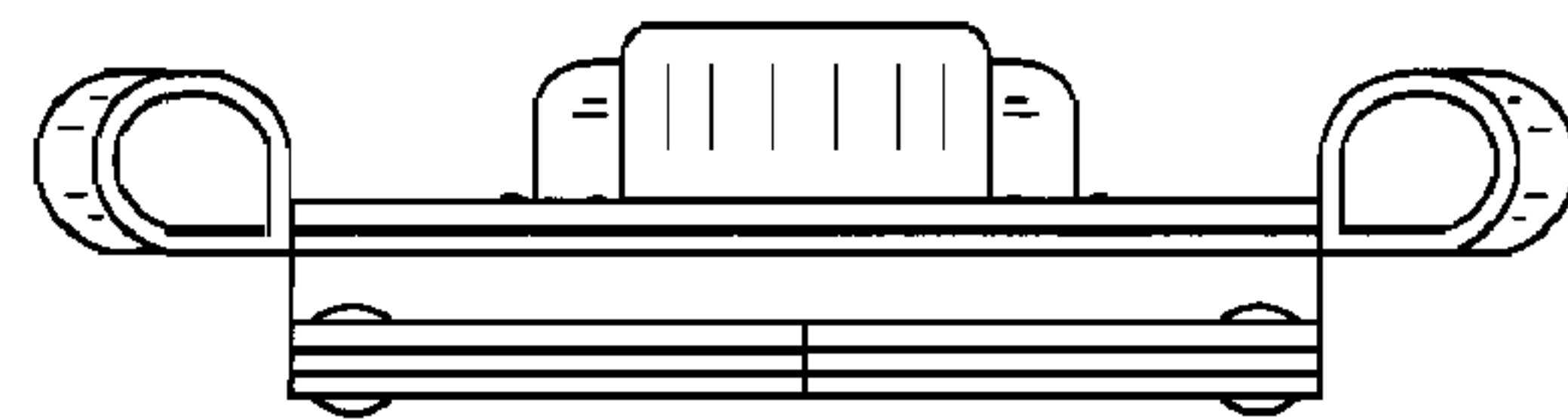


FIG. 5

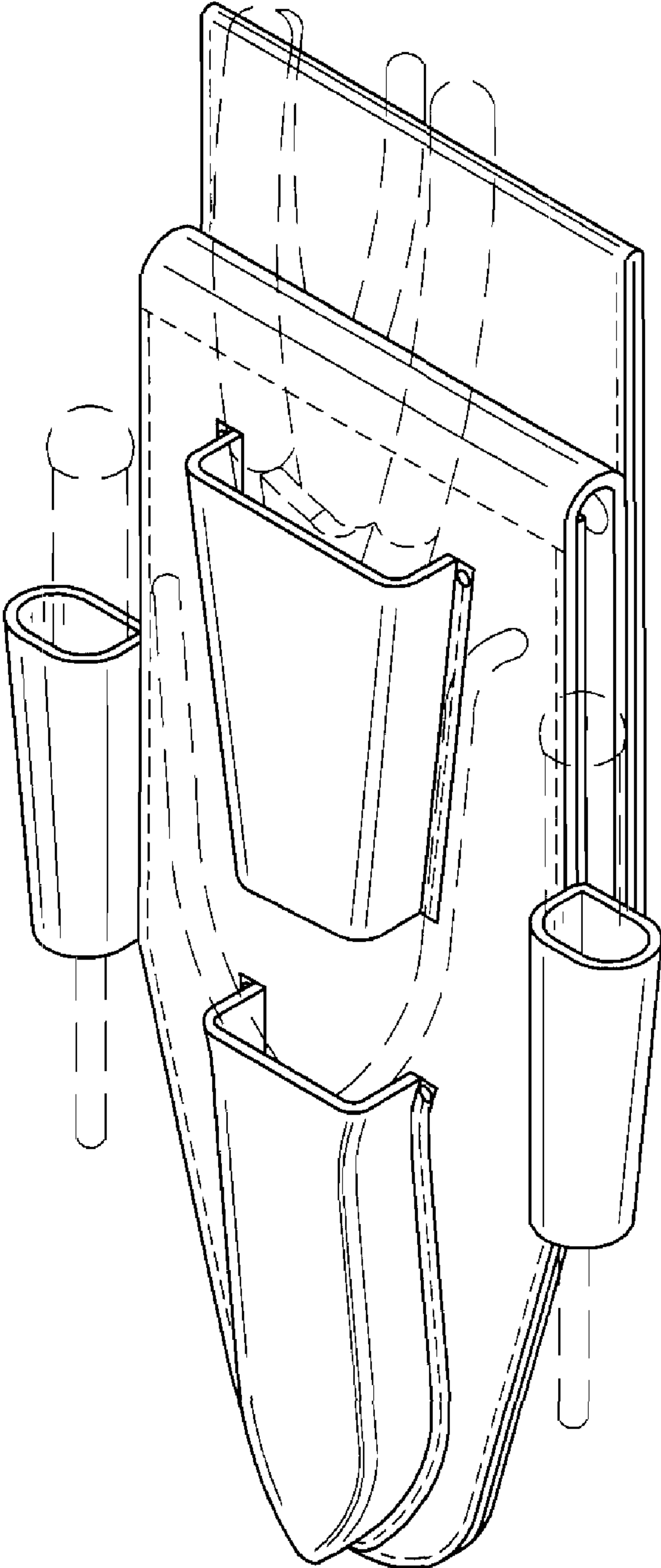


FIG. 6