



US00D583536S

(12) **United States Design Patent**  
**Glennie**

(10) **Patent No.:** **US D583,536 S**

(45) **Date of Patent:** **\*\* Dec. 30, 2008**

(54) **VISOR**

(76) **Inventor:** **Eric Glennie**, 12822 Dover Ct., Apple Valley, MN (US) 55124

(\*\*) **Term:** **14 Years**

(21) **Appl. No.:** **29/304,903**

(22) **Filed:** **Mar. 10, 2008**

(51) **LOC (8) Cl.** ..... **02-03**

(52) **U.S. Cl.** ..... **D2/893**

(58) **Field of Classification Search** ..... D2/865,  
D2/866, 872, 873, 876, 879, 882, 870, 878,  
D2/880, 881, 884, 886, 891, 892, 893, 894,  
D2/895; 2/10, 425, 171.4, 171.5, 183, 209.12,  
2/209.13, 175.1, 175.3, 175.4, 175.5, 195.1,  
2/195.2, 195.3, 195.6, 200.1, 200.2; 43/54.1,  
43/57.1; 224/920

See application file for complete search history.

(56) **References Cited**

**U.S. PATENT DOCUMENTS**

5,313,668	A *	5/1994	Bogan et al.	.....	2/181.4
D363,157	S *	10/1995	Rodgers	.....	D2/866
D391,388	S *	3/1998	Higgins et al.	.....	D2/882
D411,578	S *	6/1999	Silverman	.....	D2/882
D455,539	S *	4/2002	Kates	.....	D2/882
D483,174	S *	12/2003	Lee	.....	D2/893

6,735,782	B2 *	5/2004	Park	.....	2/175.5
D492,094	S *	6/2004	Park	.....	D2/893
D514,282	S *	2/2006	Broome	.....	D2/876
6,993,794	B2 *	2/2006	Hall et al.	.....	2/195.1
6,994,445	B1 *	2/2006	Pomes	.....	362/106
7,082,618	B1 *	8/2006	Muso	.....	2/175.1
D538,011	S *	3/2007	Yan	.....	D2/882
D553,829	S *	10/2007	Cruikshank	.....	D2/882

\* cited by examiner

*Primary Examiner*—Elizabeth A Albert

*Assistant Examiner*—Karen E Eldridge Powers

(74) *Attorney, Agent, or Firm*—Leffert Jay & Polglaze, P.A.

(57) **CLAIM**

The ornamental design for a visor, as shown and described.

**DESCRIPTION**

FIG. 1 is a perspective view of the visor;

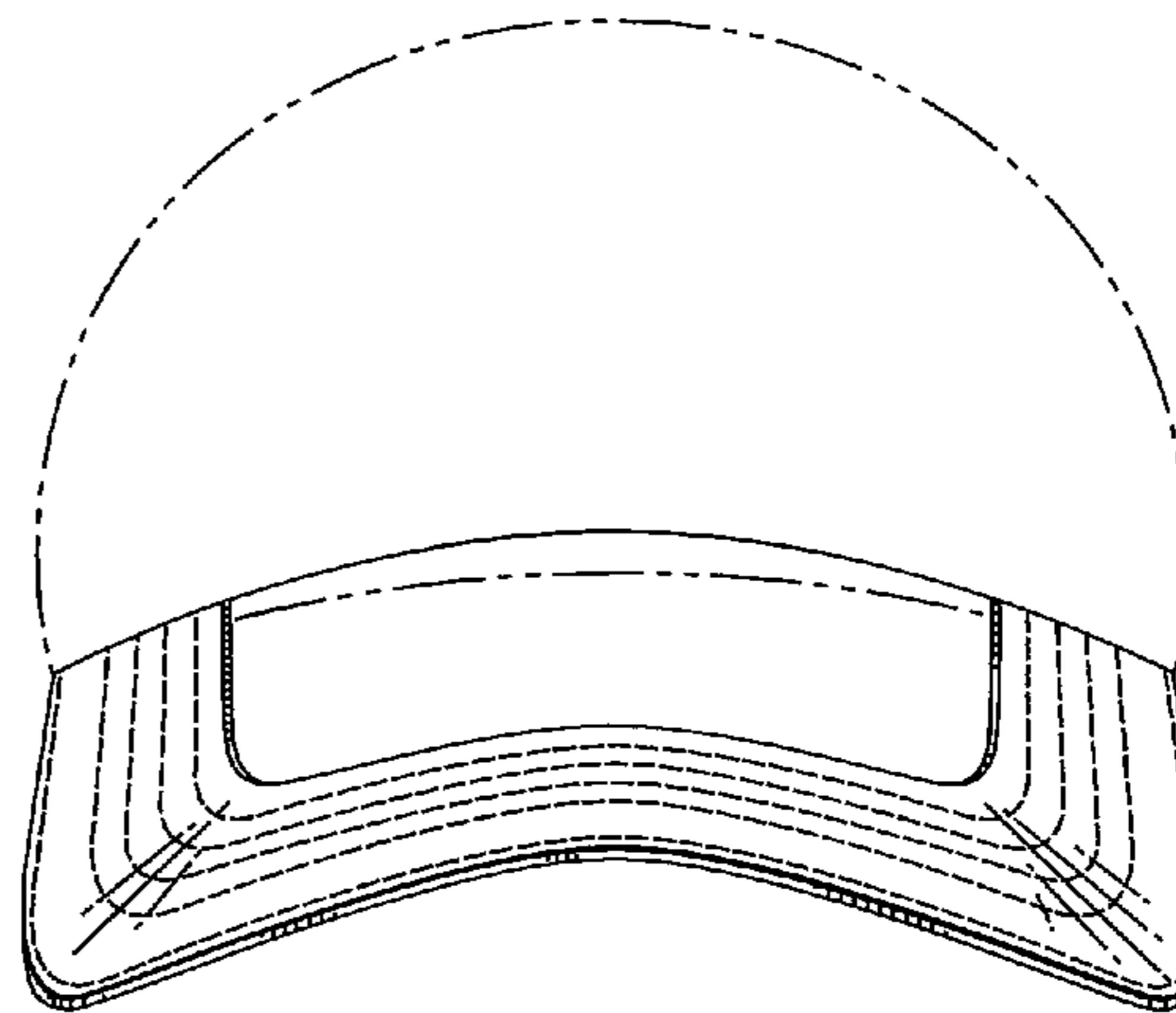
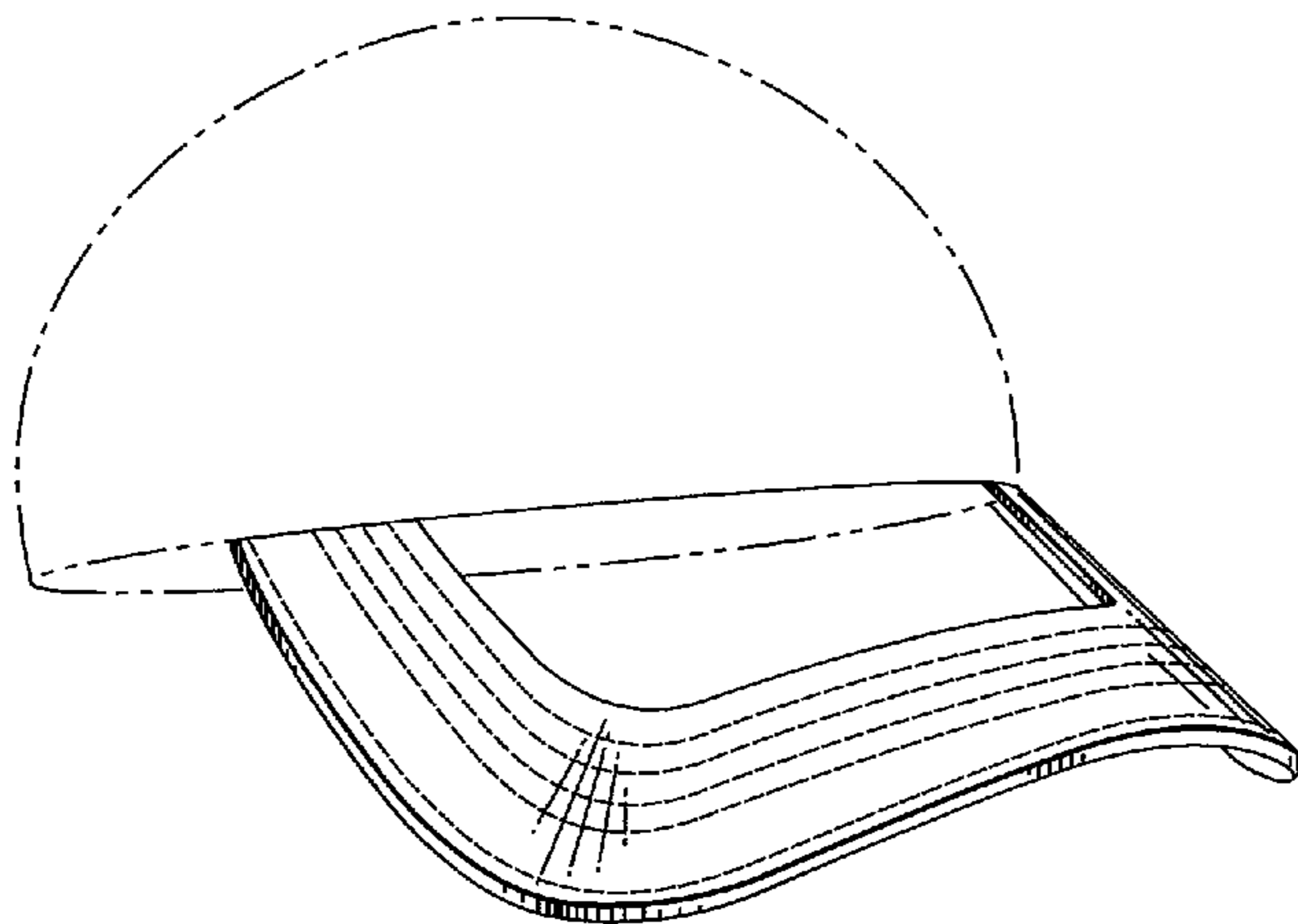
FIG. 2 is a front view thereof;

FIG. 3 is a right side view, the left side being a mirror image thereof; and,

FIG. 4 is a top view thereof.

The long-short-dashed-line showing of environment in the various figures is for illustrative purposes only and forms no part of the claimed design.

**1 Claim, 4 Drawing Sheets**



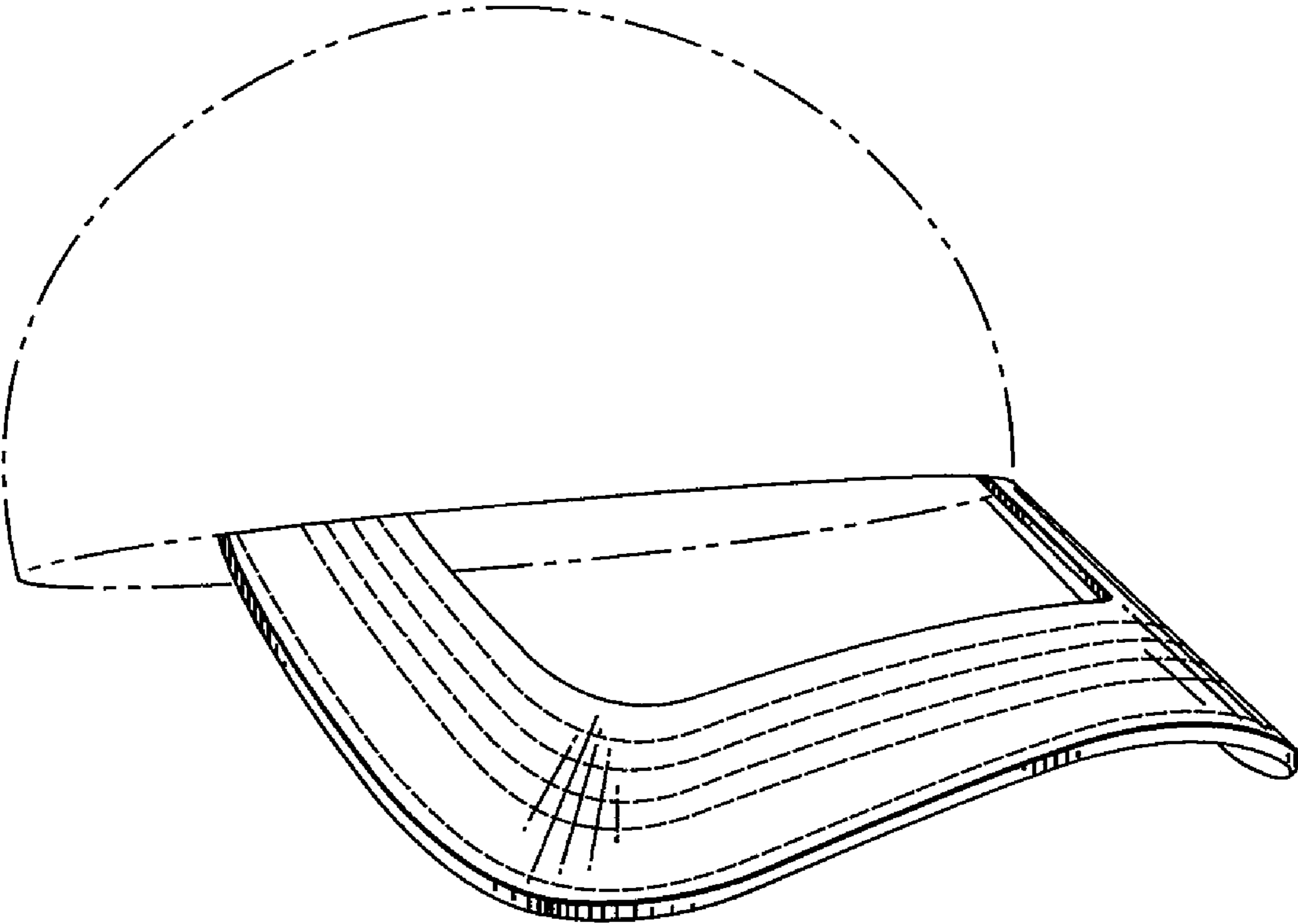
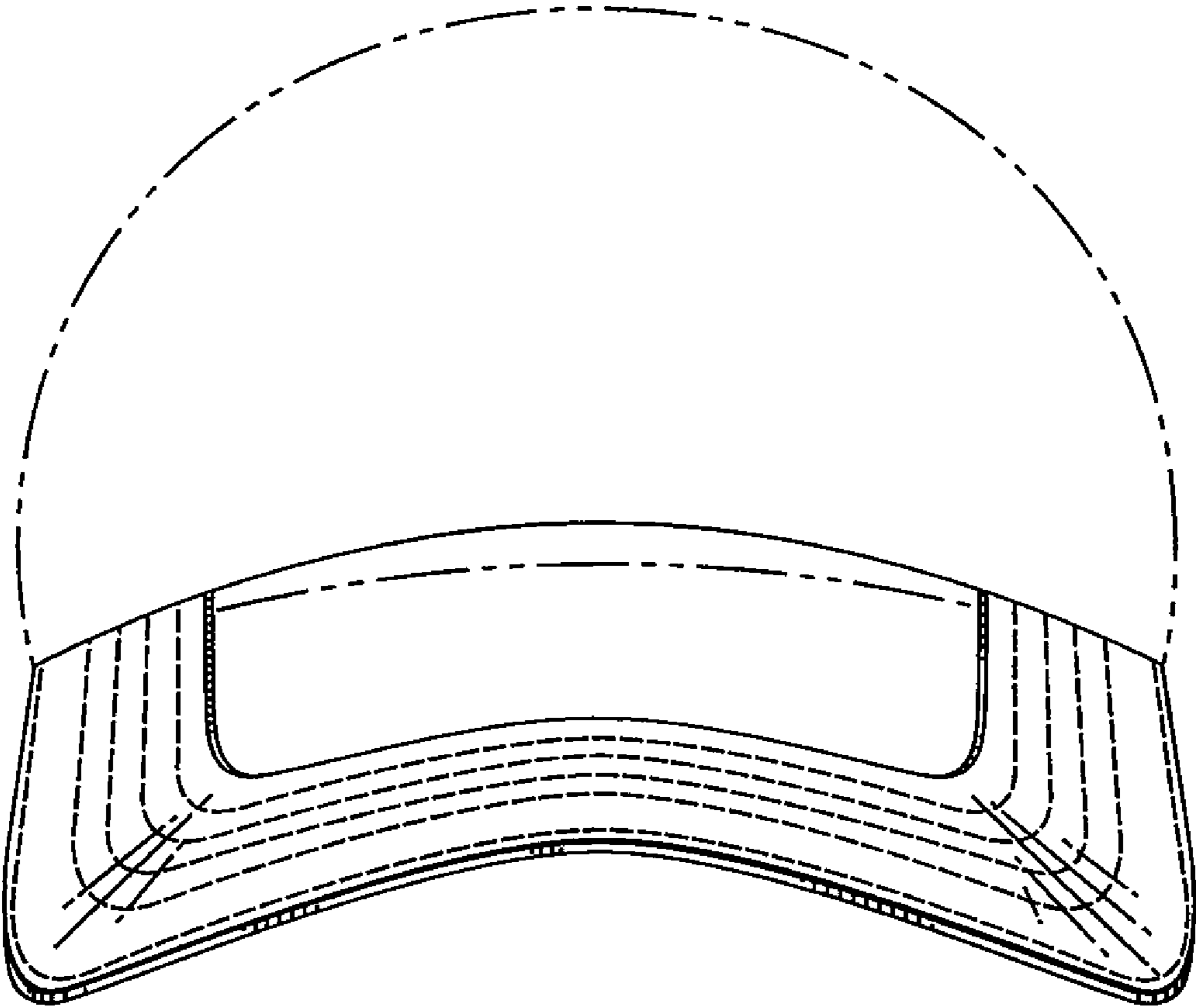
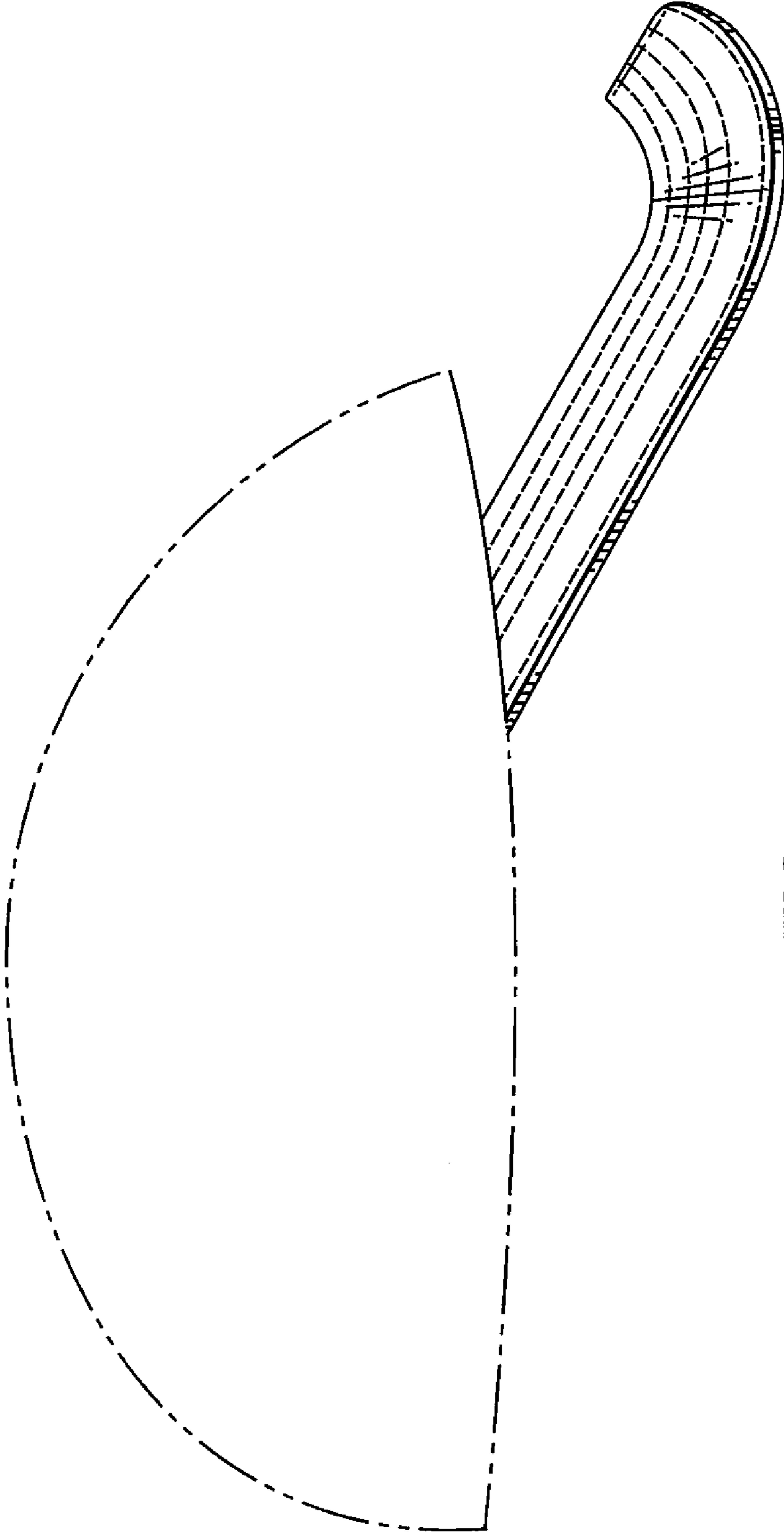


FIG. 1



**FIG. 2**



**FIG. 3**

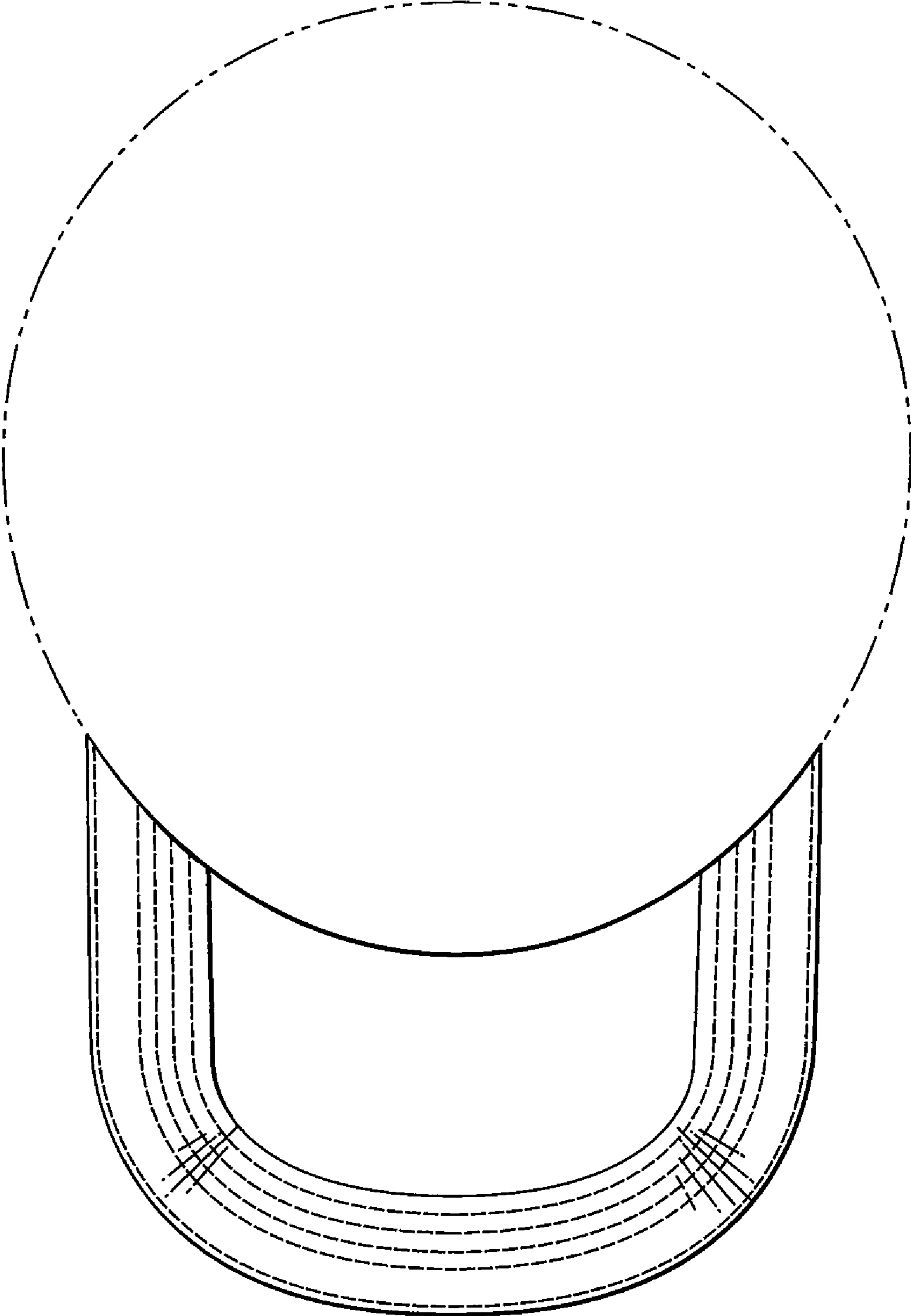


FIG. 4