

US00D583533S

(12) **United States Design Patent**
Lopez

(10) **Patent No.:** **US D583,533 S**

(45) **Date of Patent:** **** *Dec. 30, 2008**

(54) **COSTUME**

(75) Inventor: **Leslie Lopez**, San Antonio, TX (US)

(73) Assignee: **GlowMan Costumes LLC**, San Antonio, TX (US)

(**) Term: **14 Years**

(21) Appl. No.: **29/303,198**

(22) Filed: **Feb. 1, 2008**

(51) **LOC (8) Cl.** **02-02**

(52) **U.S. Cl.** **D2/741**

(58) **Field of Classification Search** D2/741,
D2/739, 844; 2/1, 300, 302; D29/101.1-101.4;
D20/25, 31; 362/551, 570, 565, 84, 808;
D26/99, 126

See application file for complete search history.

(56) **References Cited**

U.S. PATENT DOCUMENTS

433,732	A *	8/1890	Horstmann	2/1
D58,447	S *	7/1921	McKinley	D2/741
D102,204	S	12/1936	Couchman	D2/741
D114,199	S *	4/1939	Rettenmeyer	D20/31
D130,025	S *	10/1941	Kolgraiff	D20/31
2,528,639	A	11/1950	Clayton	2/216
D193,101	S *	6/1962	Del Grosso	D2/741
D197,114	S *	12/1963	Crowle	D2/741
3,395,484	A	8/1968	Smith	446/374
3,693,283	A	9/1972	Marcus	446/28
4,154,183	A *	5/1979	Nunez	2/302
D252,936	S *	9/1979	Tibbitts, Jr.	D21/578
4,963,117	A	10/1990	Gualdoni	446/219
D345,764	S *	4/1994	Duncan et al.	D20/31
5,567,054	A	10/1996	Dalgleish	383/10
D375,760	S *	11/1996	Hayden	D20/31
5,613,756	A	3/1997	Allen	362/103
5,809,567	A *	9/1998	Jacobs et al.	2/1
D403,359	S *	12/1998	Dahl	D20/31
6,431,724	B1	8/2002	Tedham et al.	362/154
6,746,303	B2	6/2004	Beidokhti	446/374
6,854,131	B1	2/2005	Spongberg	2/69
6,860,614	B1	3/2005	Pinciario	362/34
6,864,131	B2	3/2005	Thornton	436/169
6,908,206	B1	6/2005	Pinciario	362/34
6,964,493	B1	11/2005	Whitlock	362/103

7,222,980	B1	5/2007	Pinciario	362/34
D553,196	S	10/2007	Canon	D20/31
D568,407	S	5/2008	Francis	D20/43
2003/0026089	A1	2/2003	Hsu	362/103
2003/0115656	A1	6/2003	Leblang	2/69
2003/0150545	A1 *	8/2003	Szczesuil et al.	156/145

OTHER PUBLICATIONS

Xanga Site-Weblog. <http://www.xanga.com/unity303/624810650/glowstick-man-glowstick-girl.html>. Date Unknown: Viewed Jul. 2007. Glowstick Man & Glowstick Girl: Both images on page.*

Coolest Homemade Costumes. <http://www.coolest-homemade-costmes.com/glow-in-the-gark-costume.html>. Date Unknown Viewed Jul. 2008. Costume: center of page.*

Extreme Glow: Wholesale Glow Sticks. http://www.extremeglow.com/Merchant4/merchant.mvc?Screen=CTGY&Category_Code=ABOUTUS. Dec. 2005. Halloween Costume: top left on page.*

(Continued)

Primary Examiner—Adir Aronovich

Assistant Examiner—R. Johnson

(74) *Attorney, Agent, or Firm*—Fulbright & Jaworski LLP

(57) **CLAIM**

The ornamental design for a costume, as shown and described.

DESCRIPTION

FIG. 1 is a perspective view of a costume showing my new design;

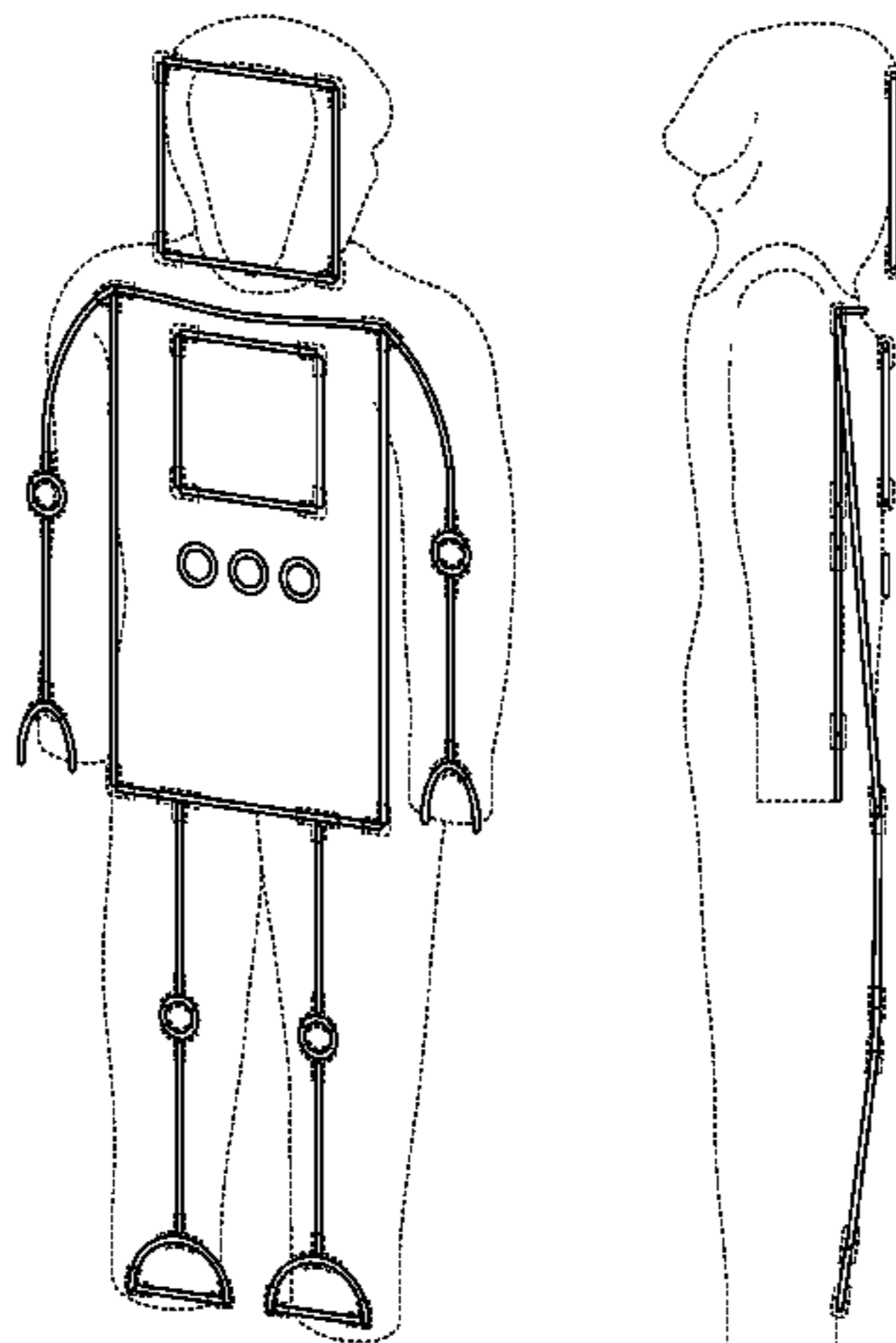
FIG. 2 is a front view of the costume shown in FIG. 1;

FIG. 3 is a left side view of the costume shown in FIG. 1; and,

FIG. 4 is a right side view of the costume shown in FIG. 1.

The broken lines, which represent the environmental structure of a jumpsuit and connectors, form no part of the claimed design. All other surface(s) and portion(s) of the costume not shown in the figures or otherwise described in the specification form no part of the claimed design.

1 Claim, 3 Drawing Sheets



OTHER PUBLICATIONS

Eight (8) pages printed on Jul. 31, 2008 from <http://www.coolest-homeade-costumes.com/glow-in-the-dark-costume.html>; date is unknown, though the printed pages state that the depicted costume is "3rd Place Winner of our 2007 Homemade Halloween Costumes Contest"; the 2 images of the costume appear to be front and back images of the same costume.

Fifteen (15) color screen shots of a video ("Glowing stick costumes") taken from <http://abc.go.com/primetime/afv/index?pn=player&itemld=364331>, a page on the website for America's Funniest Home Videos; the date is unknown, but the video from which the

screen shots were taken is listed on the web page as "Aired on Oct. 26, 2006" and "Added on Jun. 13, 2007 by AFV."

Six (6) pages printed from <http://www.xanga.com/unity303/624810650/glowstick-man-glowstick-girl.html>; the date is unknown, but the blog post lists "Nov. 2, 2007." The third of the 6 pages shows a YOUTUBE link to fifteen (15) videos that all show some kind of costume(s) made with glowsticks.

Eight (8) pages printed on Jul. 31, 2008 from http://www.extremeglow.com/Merchant4/merchant.mvc?Screen=CTGY&Category_Code=AB_OUTUS; the date is unknown.

* cited by examiner

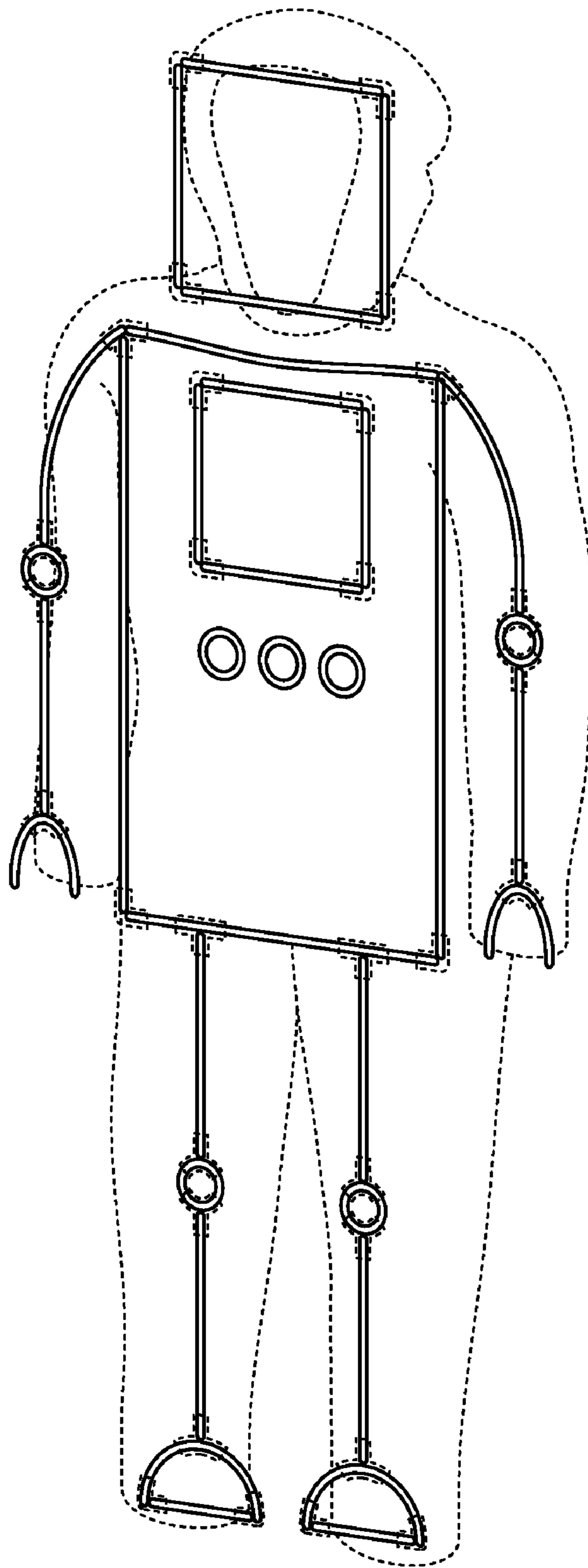


FIG. 1

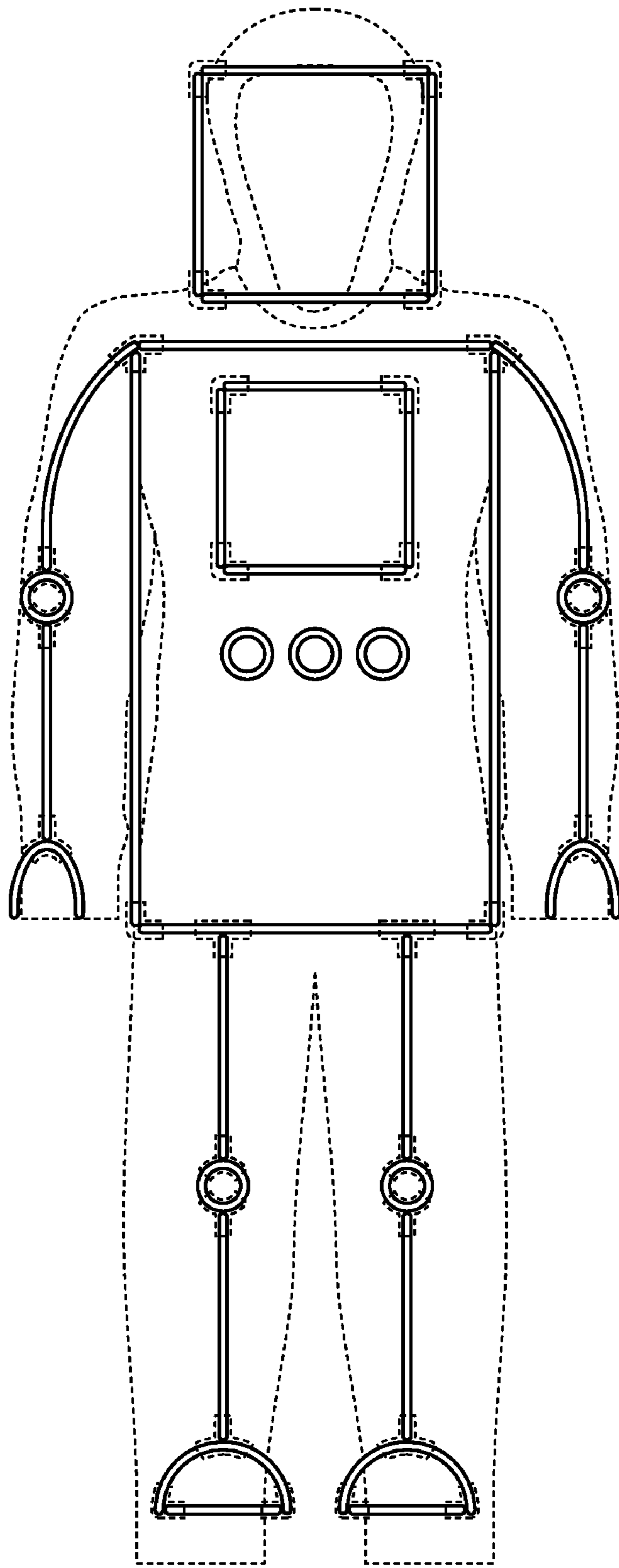


FIG. 2

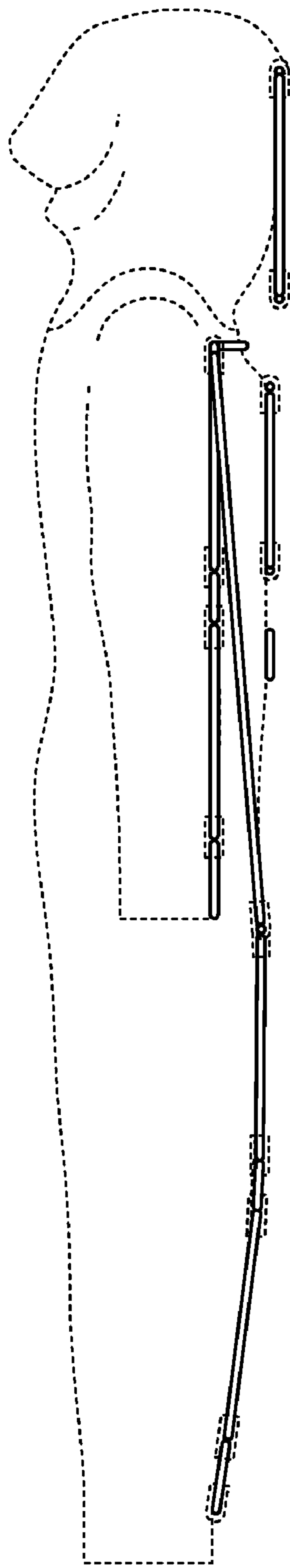


FIG. 3

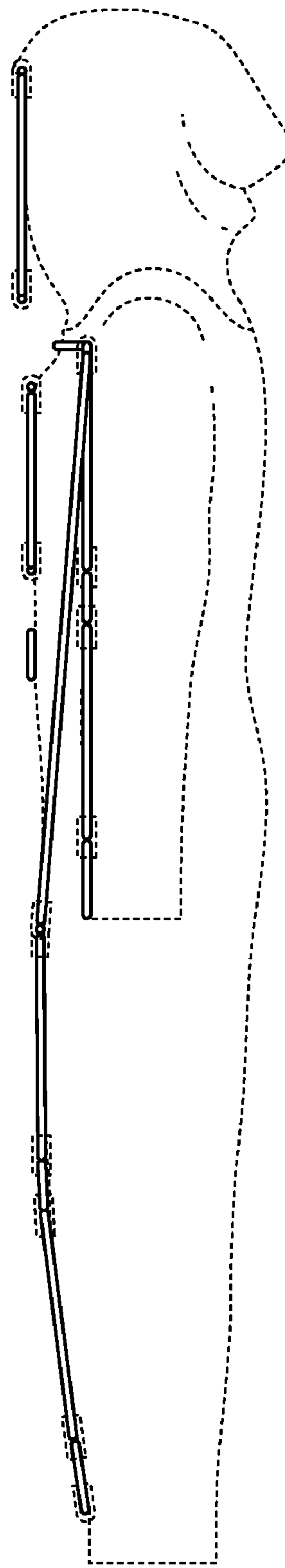


FIG. 4