



US00D583525S

(12) **United States Design Patent**
Adams

(10) **Patent No.:** **US D583,525 S**

(45) **Date of Patent:** **** Dec. 23, 2008**

(54) **ROSARY**

(76) Inventor: **William E. Adams**, Box 1, Portersville,
PA (US) 16051

(**) Term: **14 Years**

(21) Appl. No.: **29/291,292**

(22) Filed: **Aug. 22, 2007**

(51) **LOC (8) Cl.** **11-01**

(52) **U.S. Cl.** **D99/26**

(58) **Field of Classification Search** D99/25-27,
D99/99; D11/6, 11, 96, 112; 434/246; 235/106,
235/121, 123, 128; 63/1.14, 1.17, 3, 3.1,
63/19; 428/3; 377/3; 24/116 A

See application file for complete search history.

(56) **References Cited**

U.S. PATENT DOCUMENTS

D50,894	S *	6/1917	McLoughlin	D99/26
1,525,005	A	2/1925	Sherman		
1,579,820	A *	4/1926	Kislinger	63/3
D76,209	S *	8/1928	Stewart	D11/37
1,712,417	A *	5/1929	Beaujard, Jr.	63/15.3
2,187,664	A	1/1940	Rogus		
D135,116	S *	2/1943	Broas	D11/37
2,677,901	A	5/1954	Tilleman		
2,717,737	A	9/1955	Hoelscher		
2,769,249	A	11/1956	Illes		
D184,365	S *	2/1959	Marker	D12/176
2,937,459	A	5/1960	Belfield		
D188,387	S *	7/1960	Hoban	D99/26
2,992,495	A	7/1961	Perreira		
3,374,949	A	3/1968	Hayden		
D217,095	S *	4/1970	Taylor	D99/26
5,473,399	A *	12/1995	Reddig	396/612
D386,999	S *	12/1997	Kothari	D11/4
D415,976	S *	11/1999	Be	D11/4
6,065,971	A *	5/2000	Lennon	434/246
6,179,621	B1	1/2001	Vaccari		
D456,296	S *	4/2002	Ambar	D11/4

6,540,075	B2 *	4/2003	King	206/391
6,540,519	B2	4/2003	Wexler		
6,589,056	B2	7/2003	Mc Govern		
D489,022	S *	4/2004	Riggio	D11/38
7,331,707	B2 *	2/2008	DelValle et al.	368/282
2003/0086521	A1	5/2003	Rana		
2005/0282127	A1	12/2005	Adams		

* cited by examiner

Primary Examiner—Robert M Spear

Assistant Examiner—Susan E Krakower

(74) *Attorney, Agent, or Firm*—Buchanan Ingersoll & Rooney PC

(57) **CLAIM**

An ornamental design for a rosary, as shown and described.

DESCRIPTION

FIG. 1 is a perspective view of my rosary;

FIG. 2 is a front elevation thereof;

FIG. 3 is a rear elevation thereof;

FIG. 4 is a top plan view thereof;

FIG. 5 is a bottom plan view thereof;

FIG. 6 is a right side view thereof;

FIG. 7 is a left side view thereof;

FIG. 8 is a perspective view of a second embodiment showing the rosary with a split in the ring;

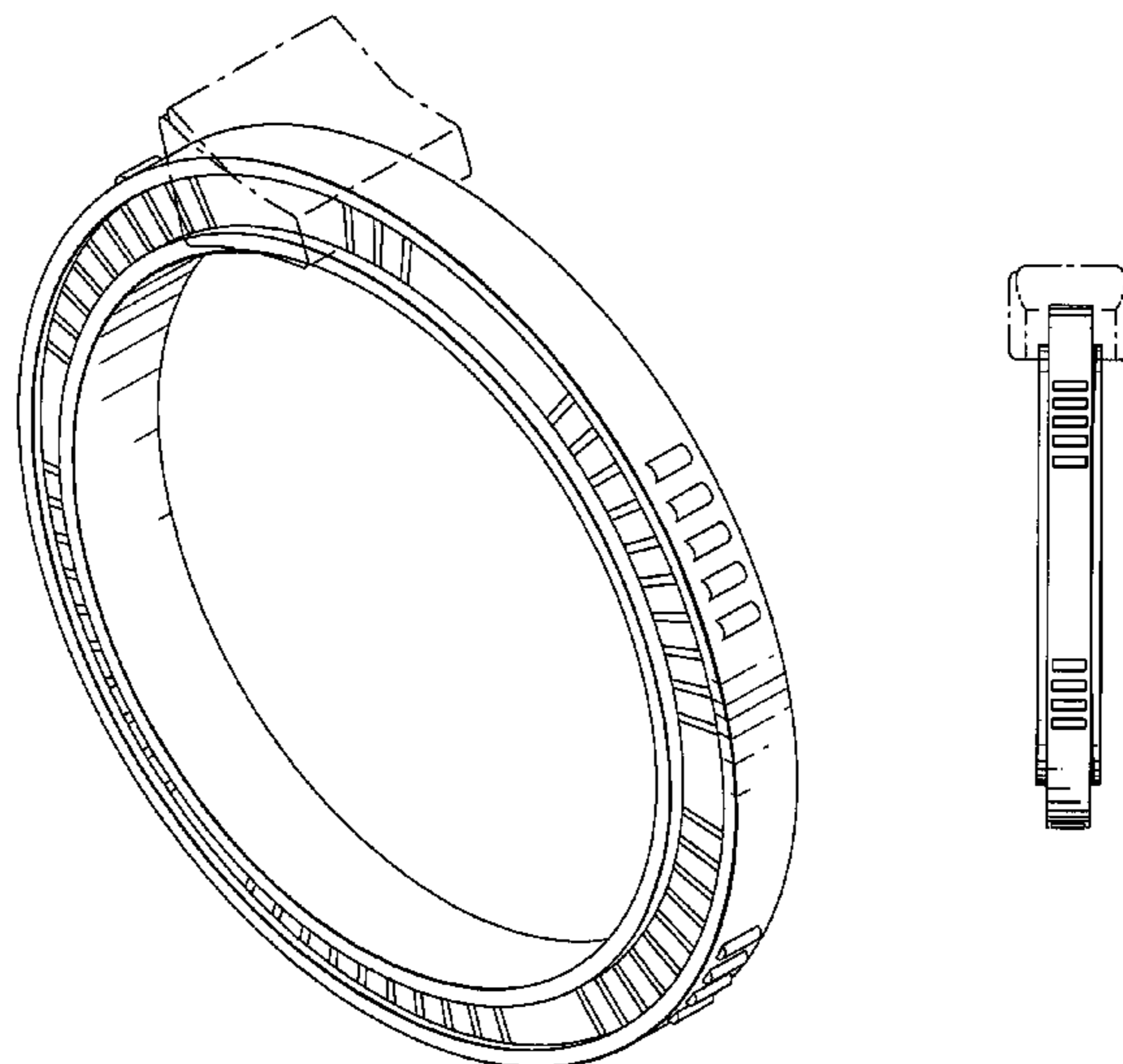
FIG. 9 is a front elevational view showing the rosary with the split in the ring as in FIG. 8;

FIG. 10 is a rear elevational view showing the rosary with the split in the ring as in FIG. 8; and,

FIG. 11 is a top plan view similar to FIG. 4 showing the rosary with the split in the ring as in FIG. 8.

The bead which travels around the ring of the rosary and the text indicating position shown in broken lines, represent environmental structure and form no part of the claimed design.

1 Claim, 5 Drawing Sheets



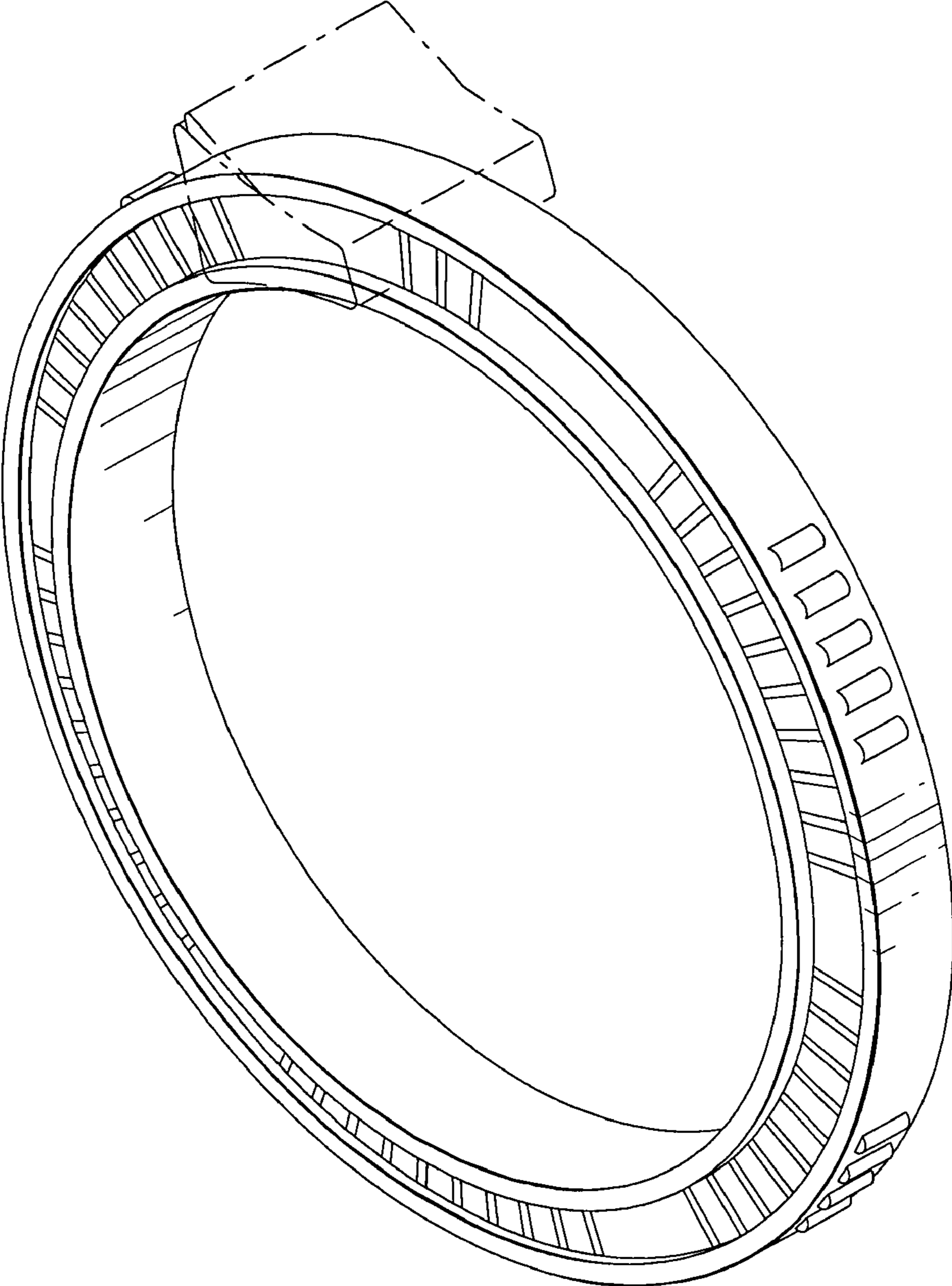


Fig. 1

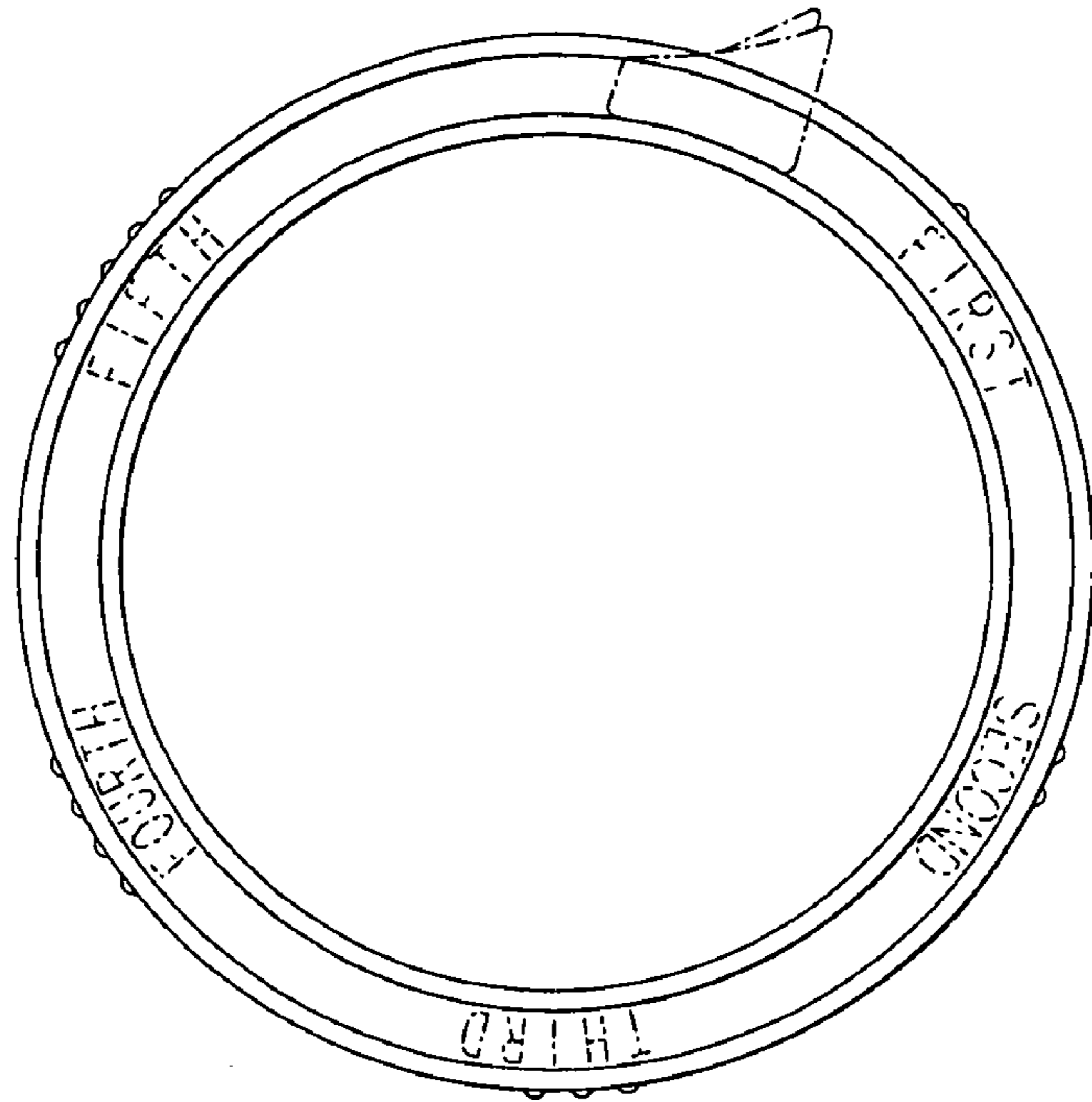


Fig. 2

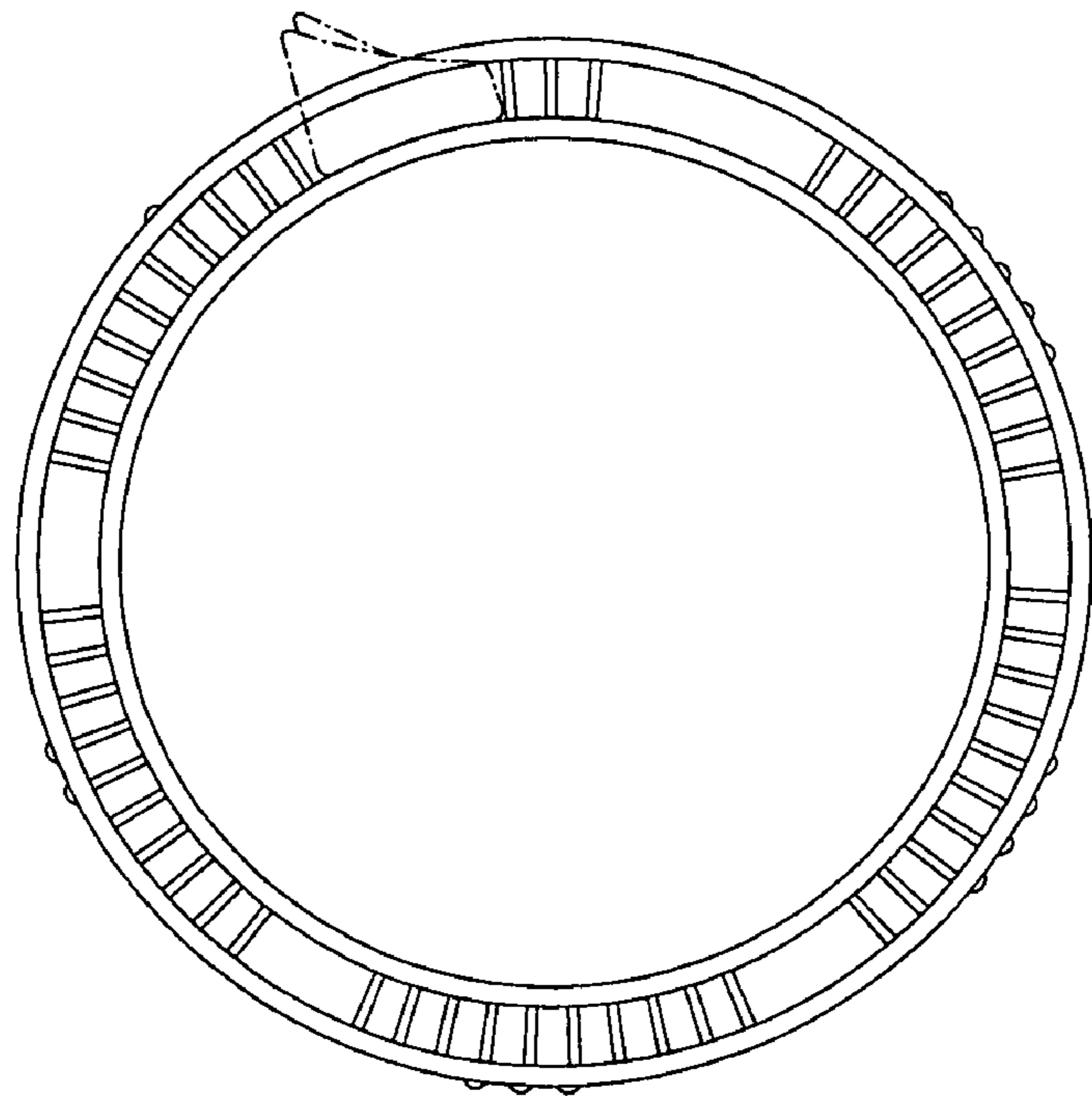


Fig. 3

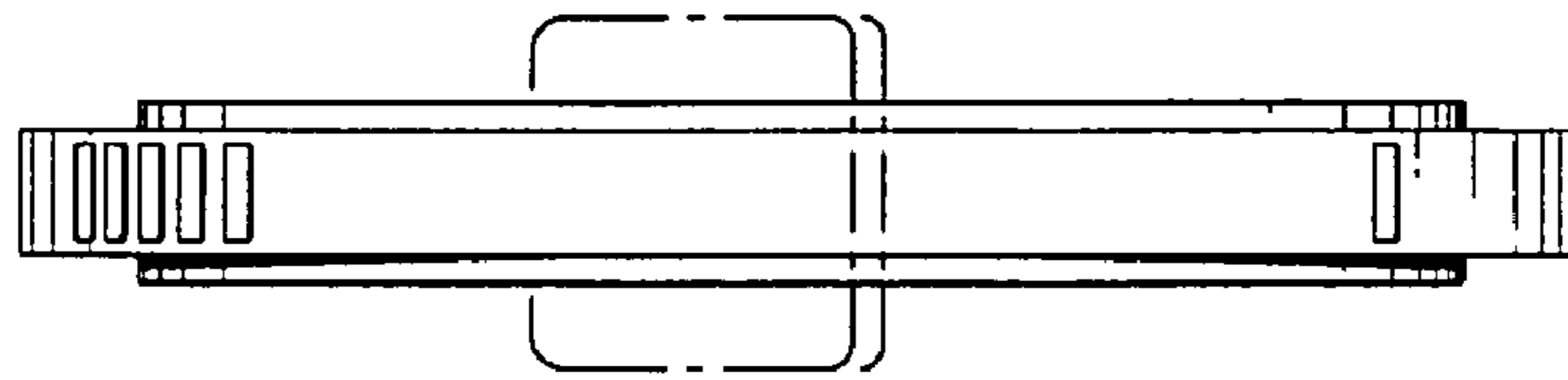


Fig. 4

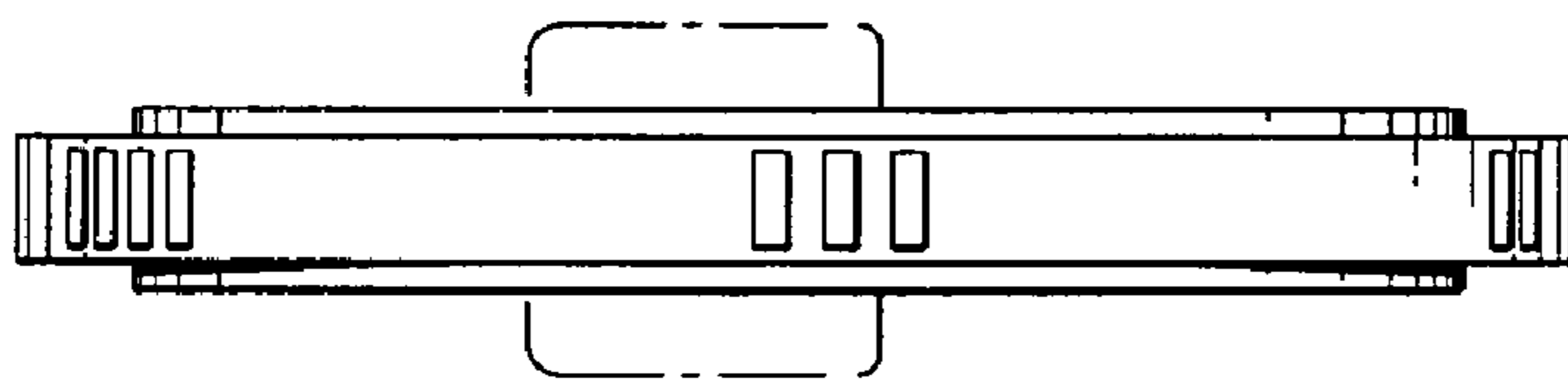


Fig. 5

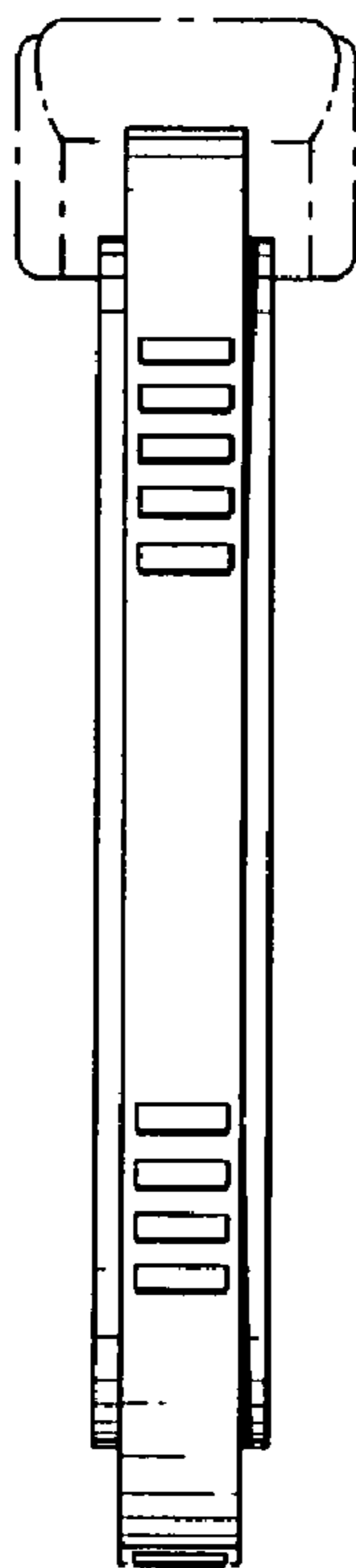


Fig. 6

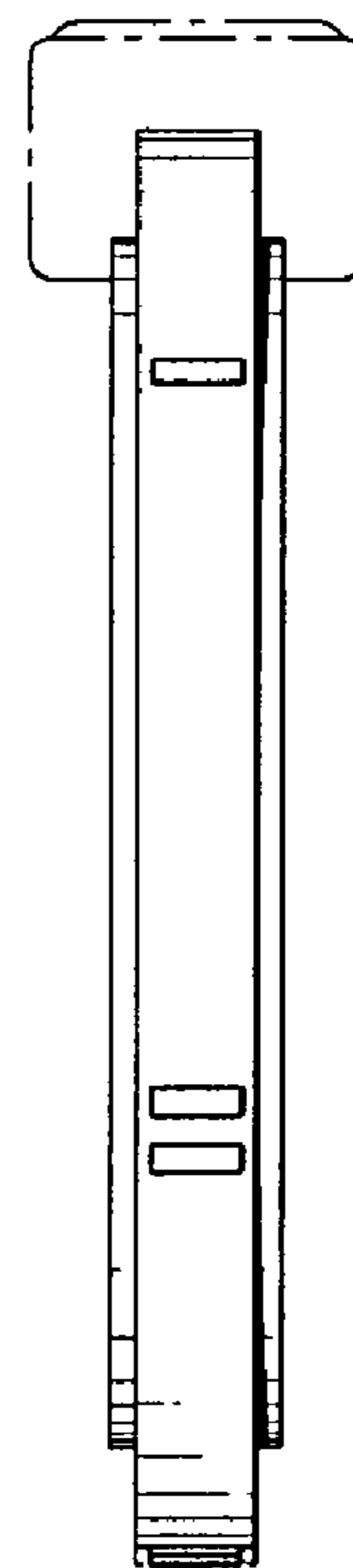


Fig. 7

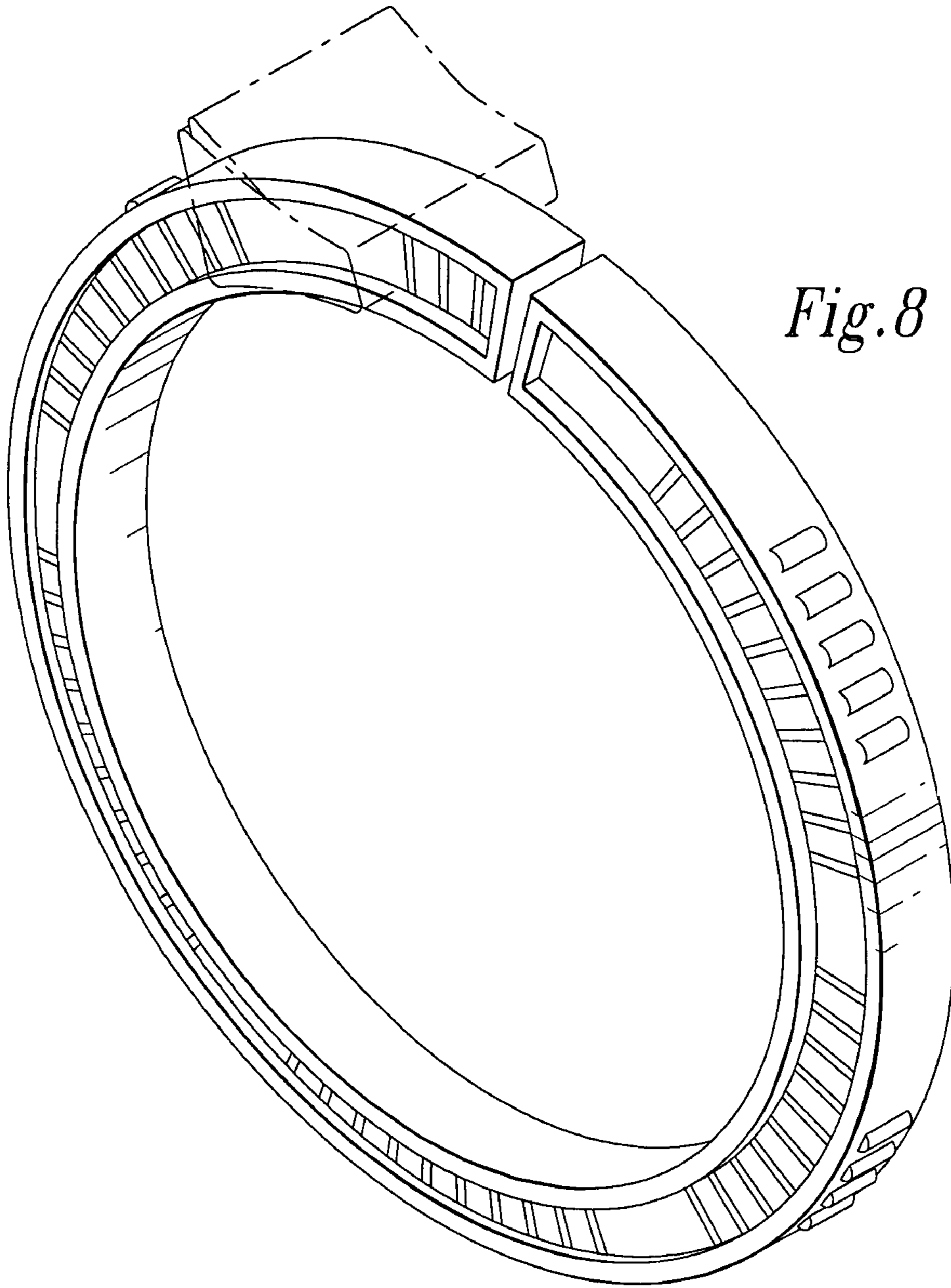


Fig. 8

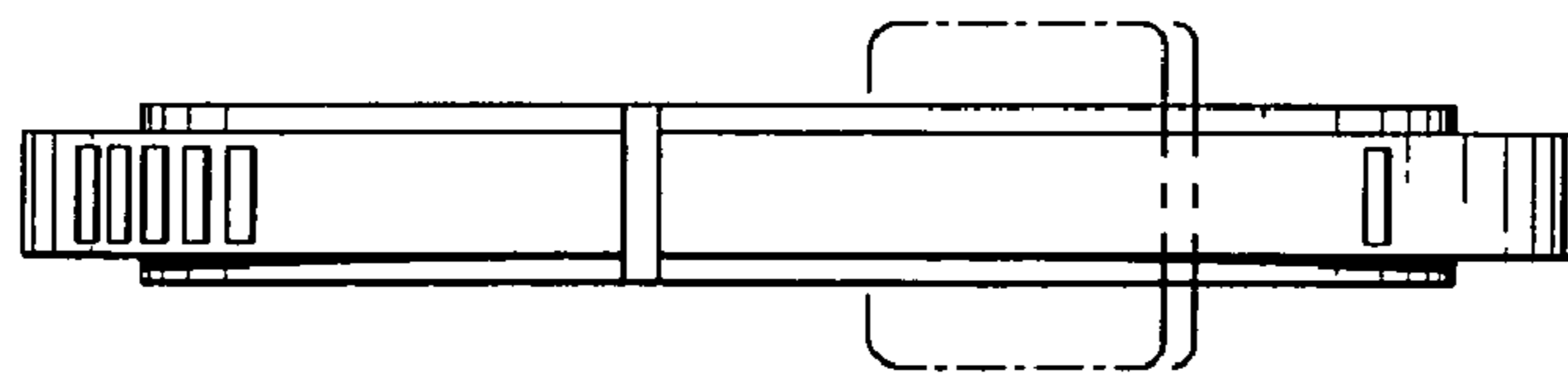


Fig. 11

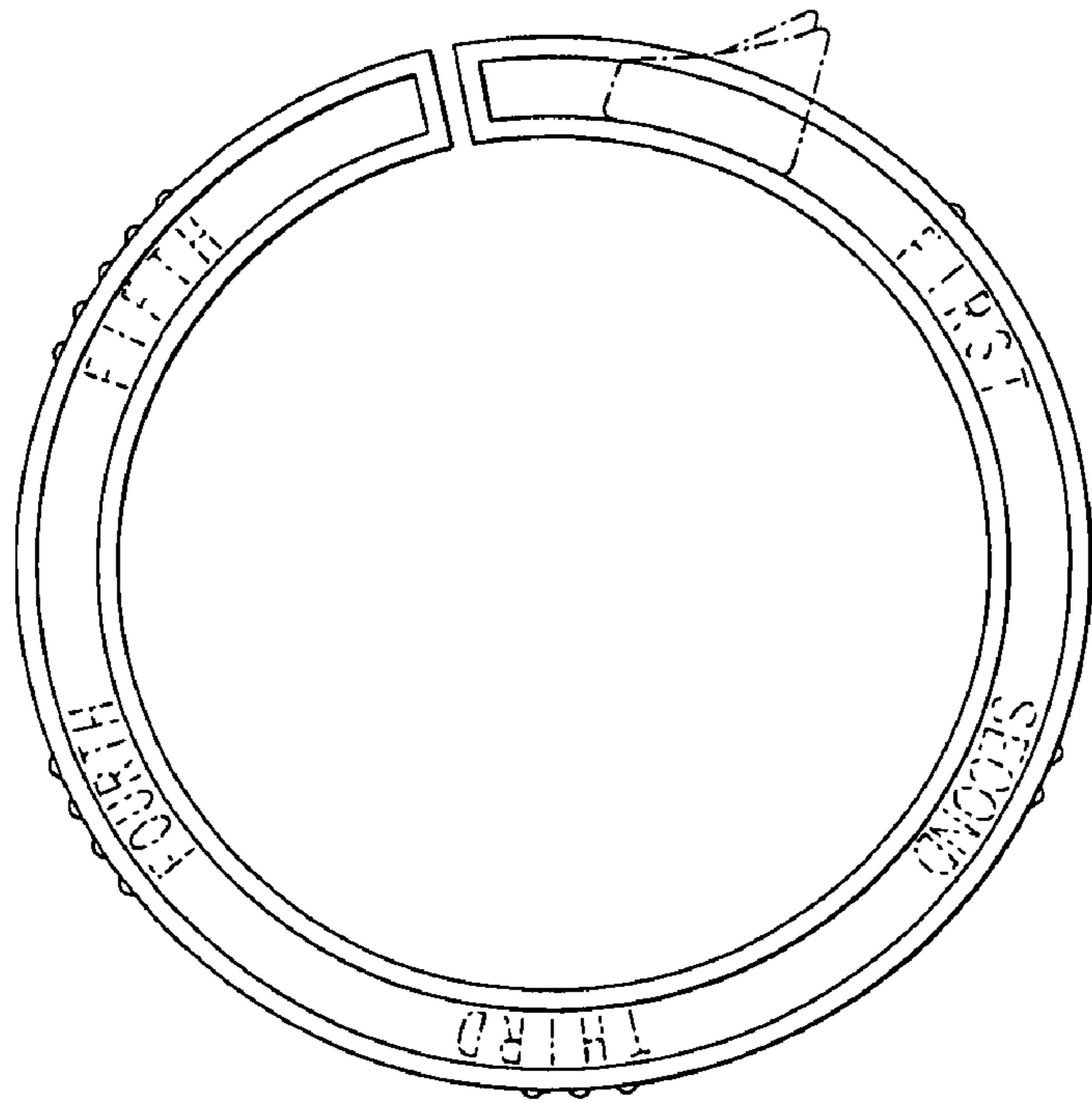


Fig. 9

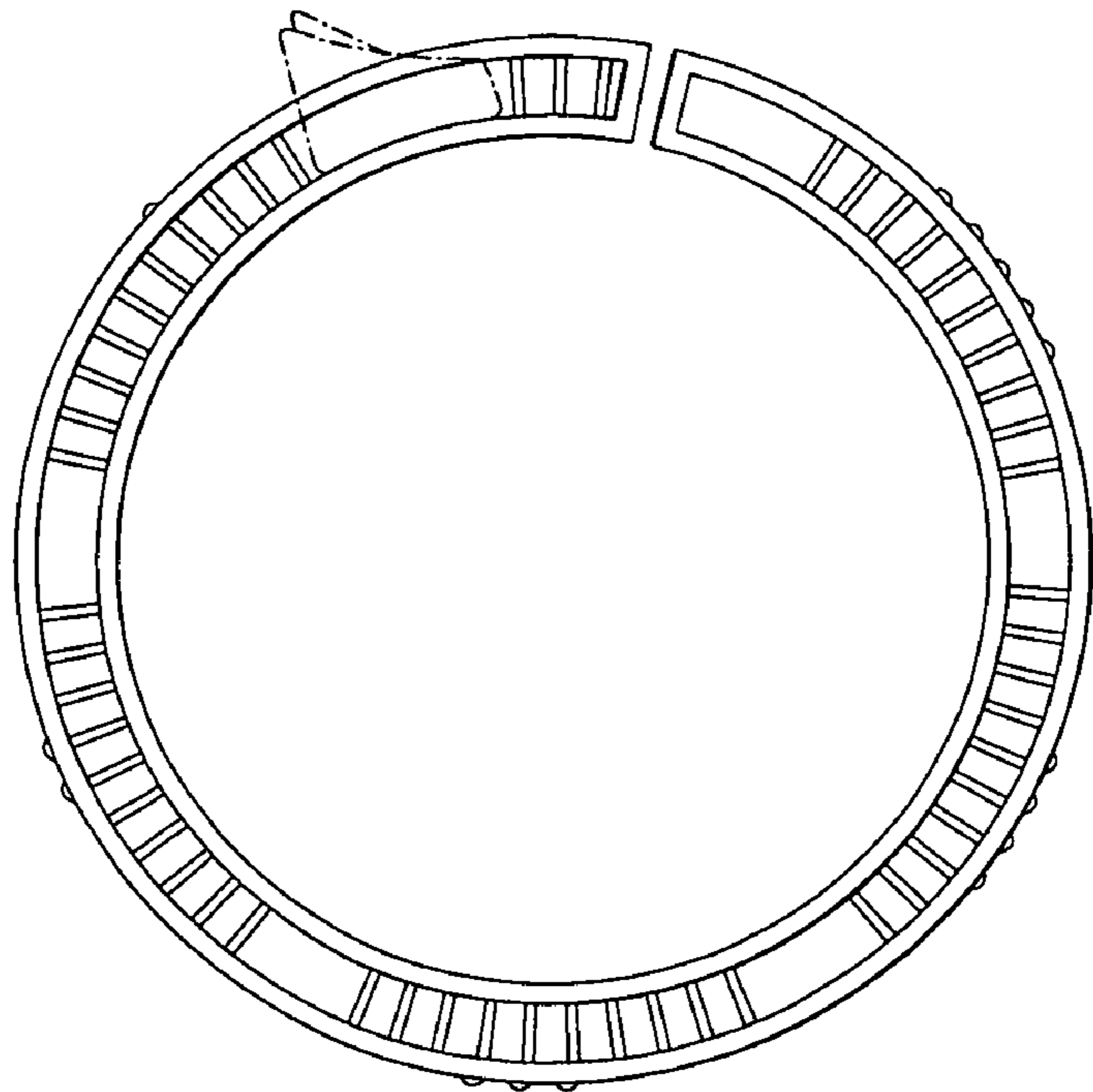


Fig. 10