



US00D583522S

(12) **United States Design Patent**
Gong et al.

(10) **Patent No.:** **US D583,522 S**
(45) **Date of Patent:** **** Dec. 23, 2008**

(54) **GOLF CART**

(75) Inventors: **Jiaxiong Gong**, Jiangsu (CN); **Ming Yin**, Jiangsu (CN); **Xiaojun Gong**, Jiangsu (CN)

(73) Assignee: **Ted Gold Equipment Co., Ltd.**, Jiangsu (CN)

(**) Term: **14 Years**

(21) Appl. No.: **29/299,053**

(22) Filed: **Dec. 18, 2007**

(30) **Foreign Application Priority Data**

Dec. 3, 2007 (CN) 2007 3 0195402

(51) **LOC (8) Cl.** **12-13**

(52) **U.S. Cl.** **D34/15**

(58) **Field of Classification Search** D34/12-27;
280/646, 652, 47.24, 47.26, 654, 655, 39,
280/40, 79.11, 33.991, 33.992, 33.993; 180/19.1,
180/19.3

See application file for complete search history.

(56) **References Cited**

U.S. PATENT DOCUMENTS

4,522,299 A * 6/1985 Clark et al. 206/315.3
4,913,460 A * 4/1990 Klein 280/646
D448,906 S * 10/2001 Wu D34/15

6,345,836 B1 * 2/2002 Wu 280/651
6,698,789 B2 * 3/2004 Reimers et al. 280/651
7,128,333 B2 * 10/2006 Reimers et al. 280/651
D531,778 S * 11/2006 Liao D34/15
7,219,920 B2 * 5/2007 Lin 280/651
D549,421 S * 8/2007 Liao D34/15
D556,414 S * 11/2007 Gong et al. D34/15
D558,423 S * 12/2007 Roiser D34/15
D570,571 S * 6/2008 Liao D34/15

* cited by examiner

Primary Examiner—Cynthia E Ramirez

(74) *Attorney, Agent, or Firm*—J.C. Patents

(57) **CLAIM**

The ornamental design for a golf cart, as shown and described.

DESCRIPTION

FIG. 1 is a front elevational view of a golf cart showing the new design.

FIG. 2 is a rear elevational view thereof.

FIG. 3 is a left side elevational view thereof.

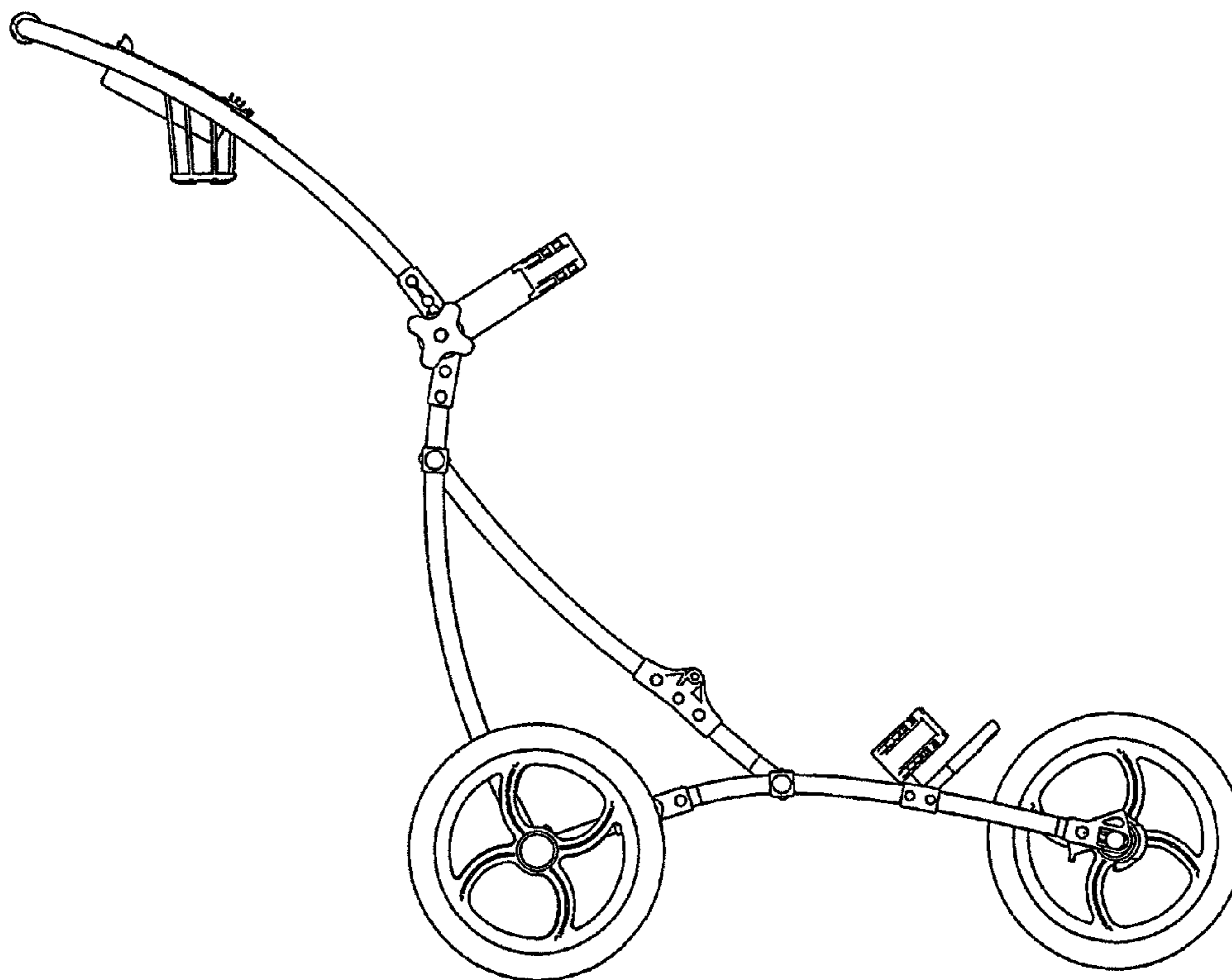
FIG. 4 is a right side elevational view thereof.

FIG. 5 is a top plan view thereof.

FIG. 6 is a bottom view thereof; and,

FIG. 7 is a perspective view thereof.

1 Claim, 7 Drawing Sheets



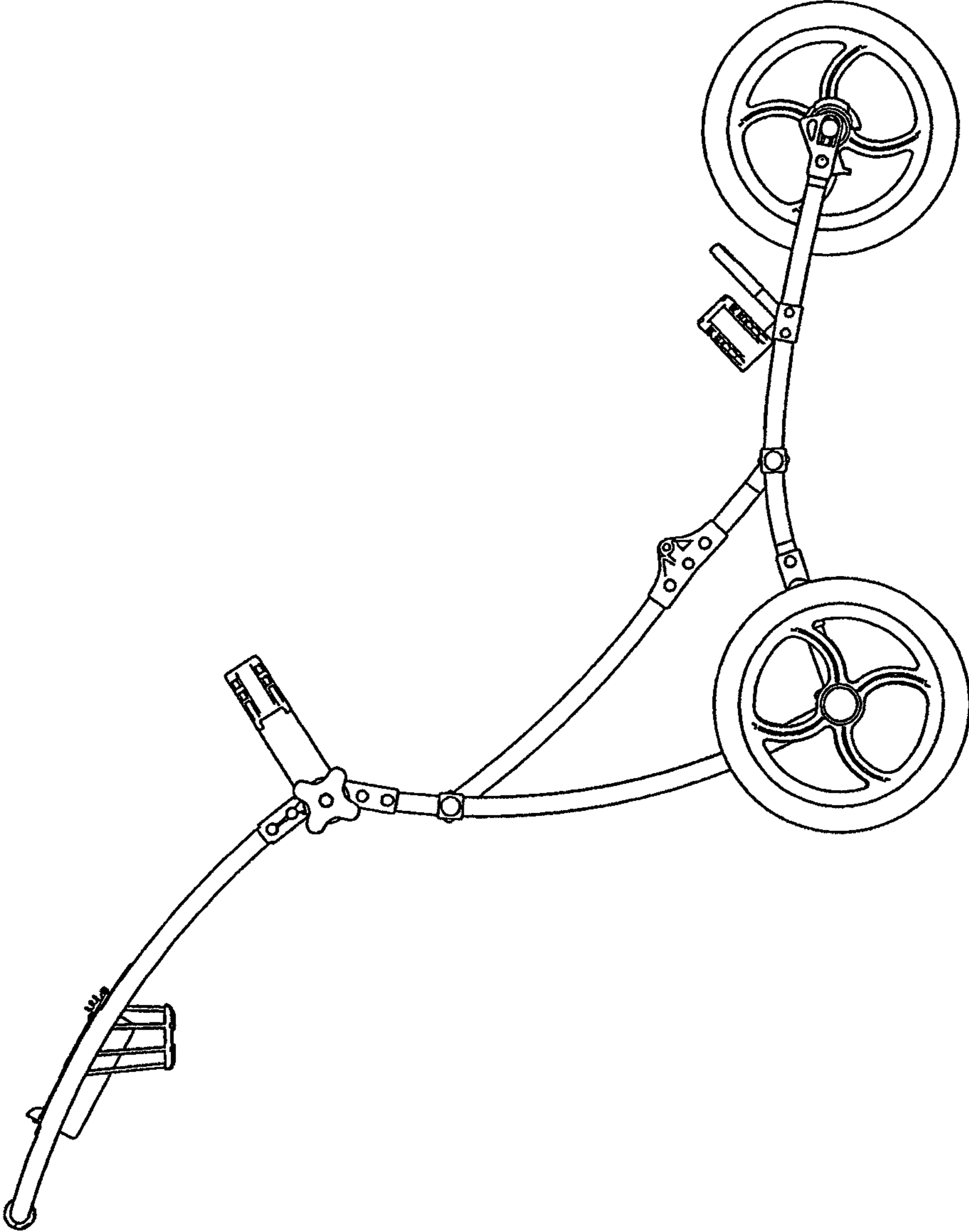


FIG. 1

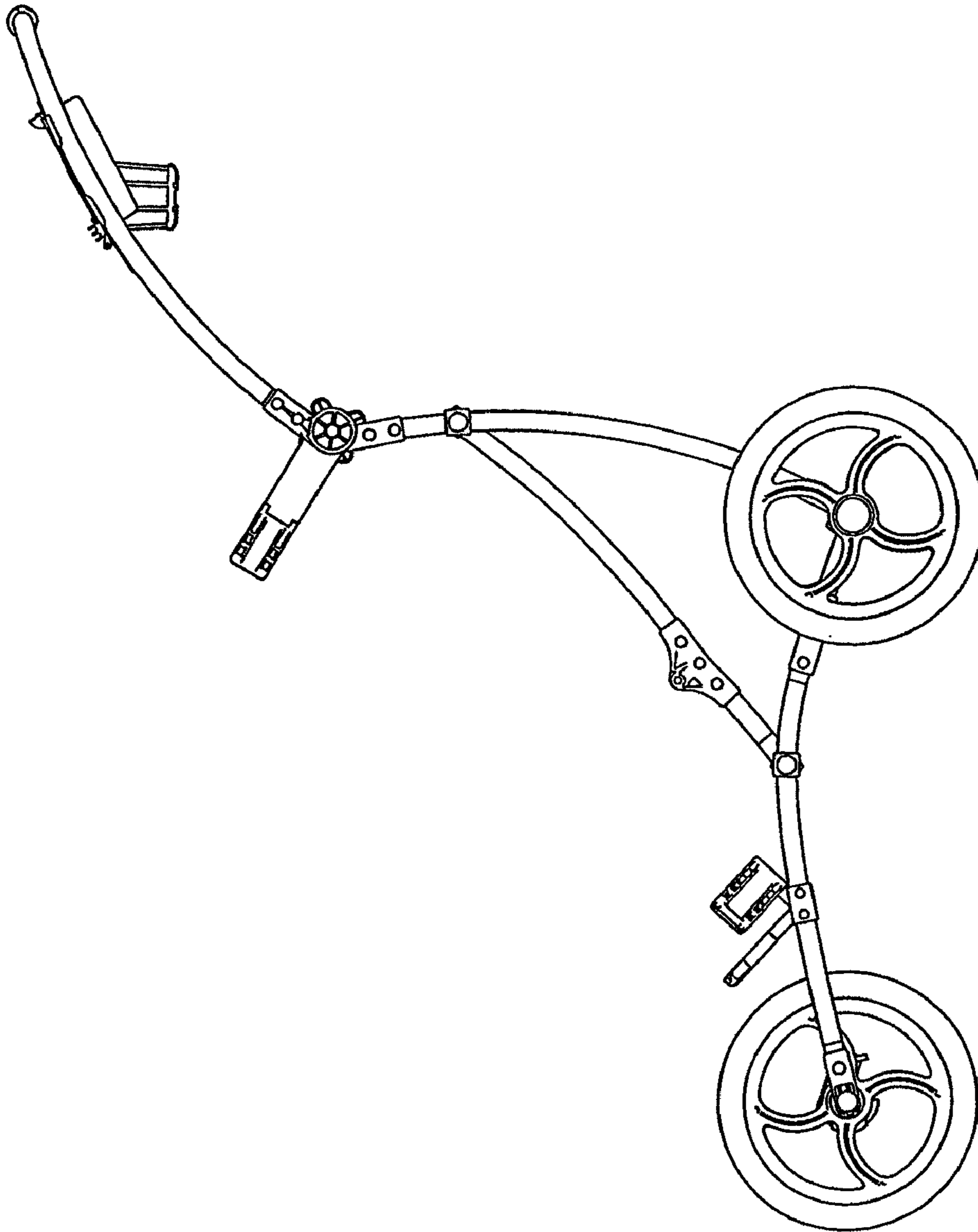


FIG. 2

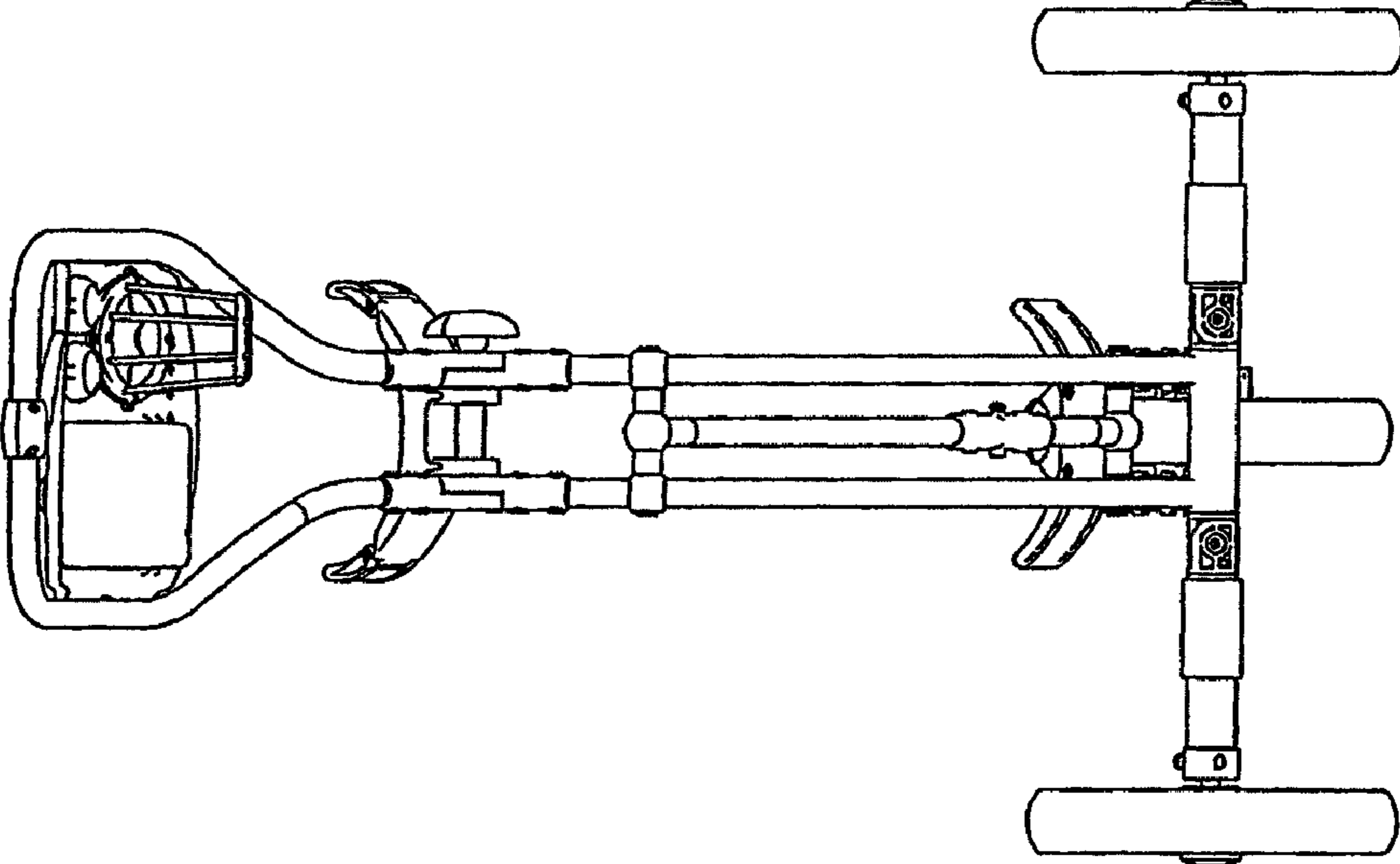


FIG. 3

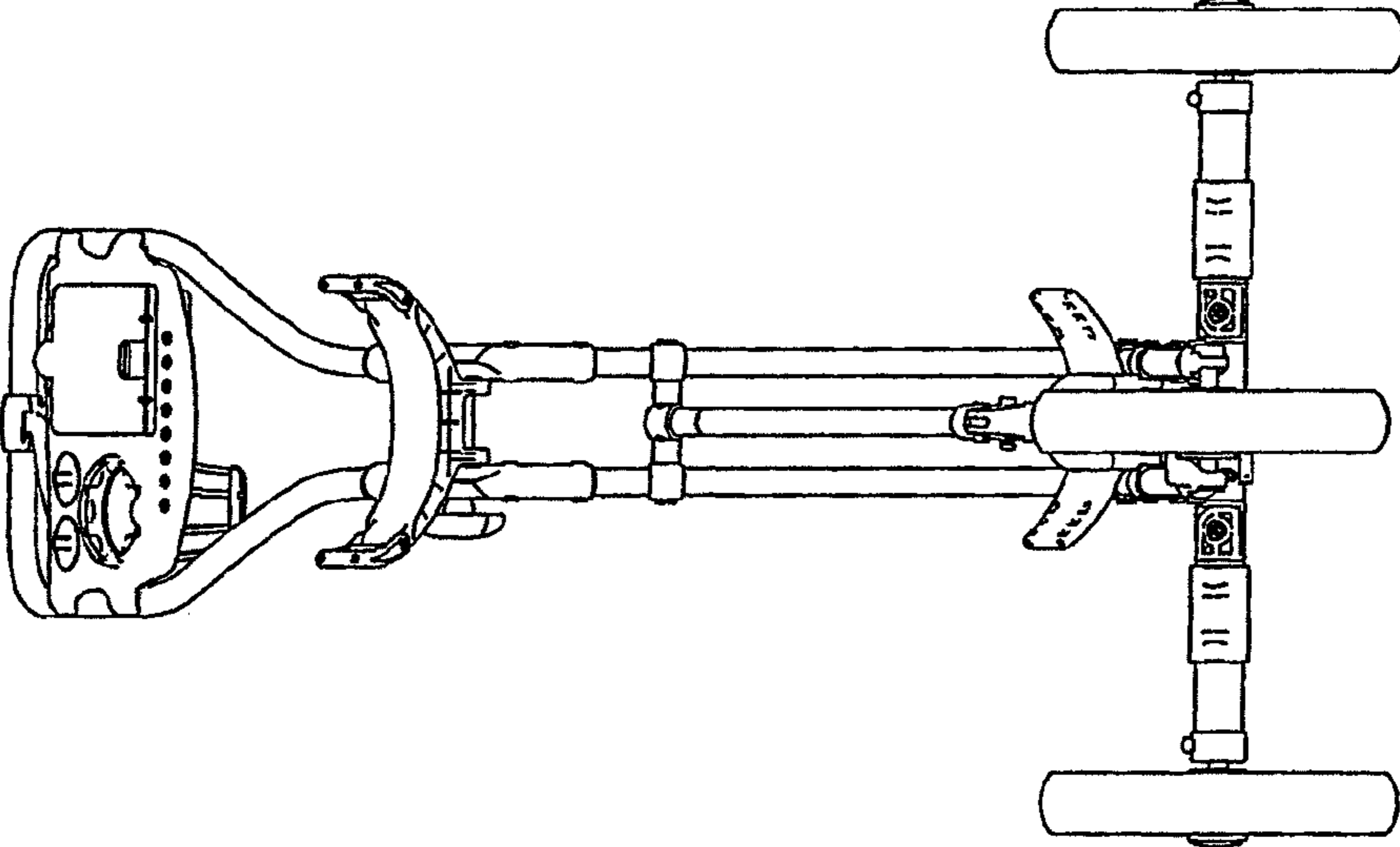


FIG. 4

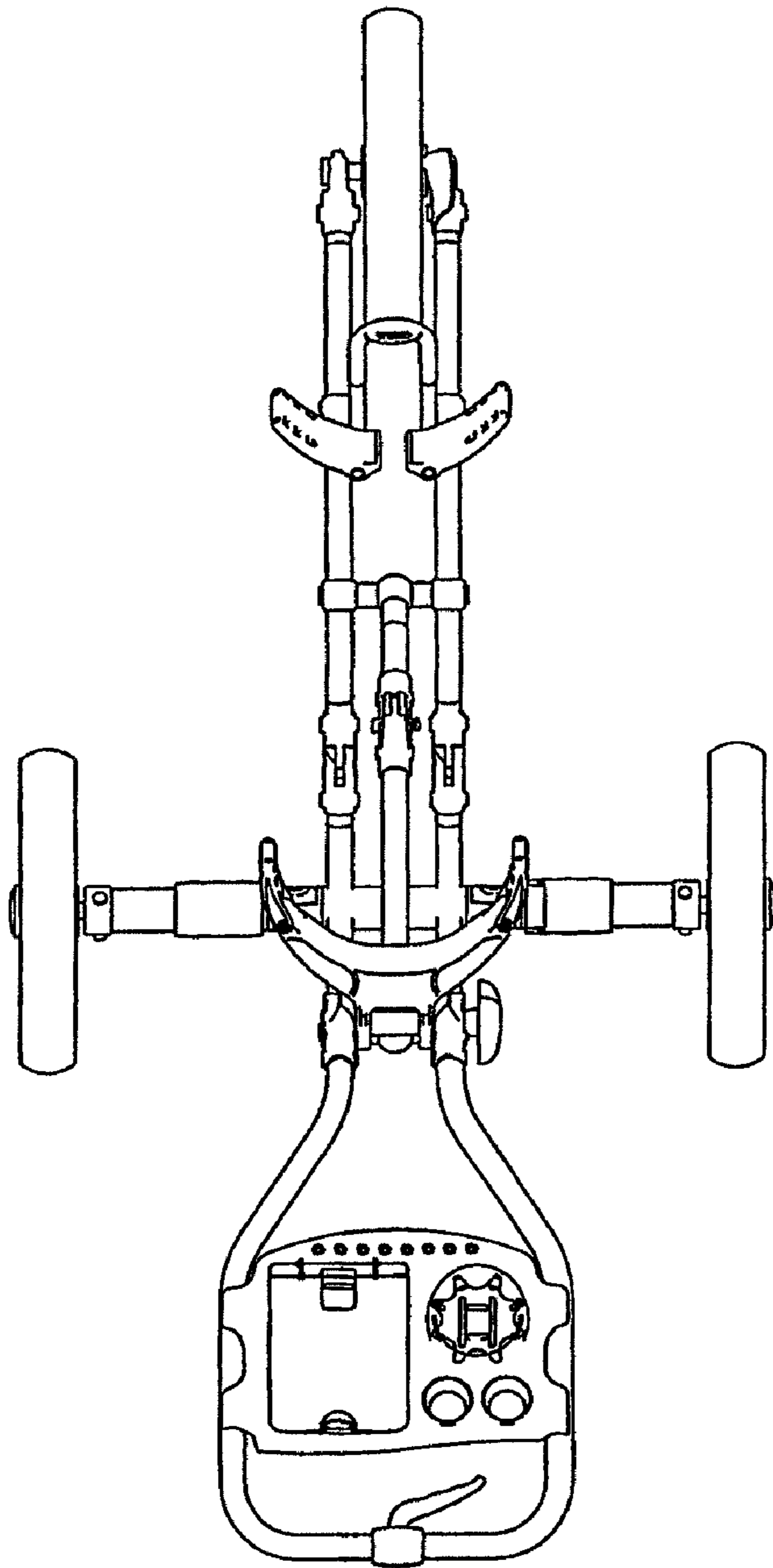


FIG. 5

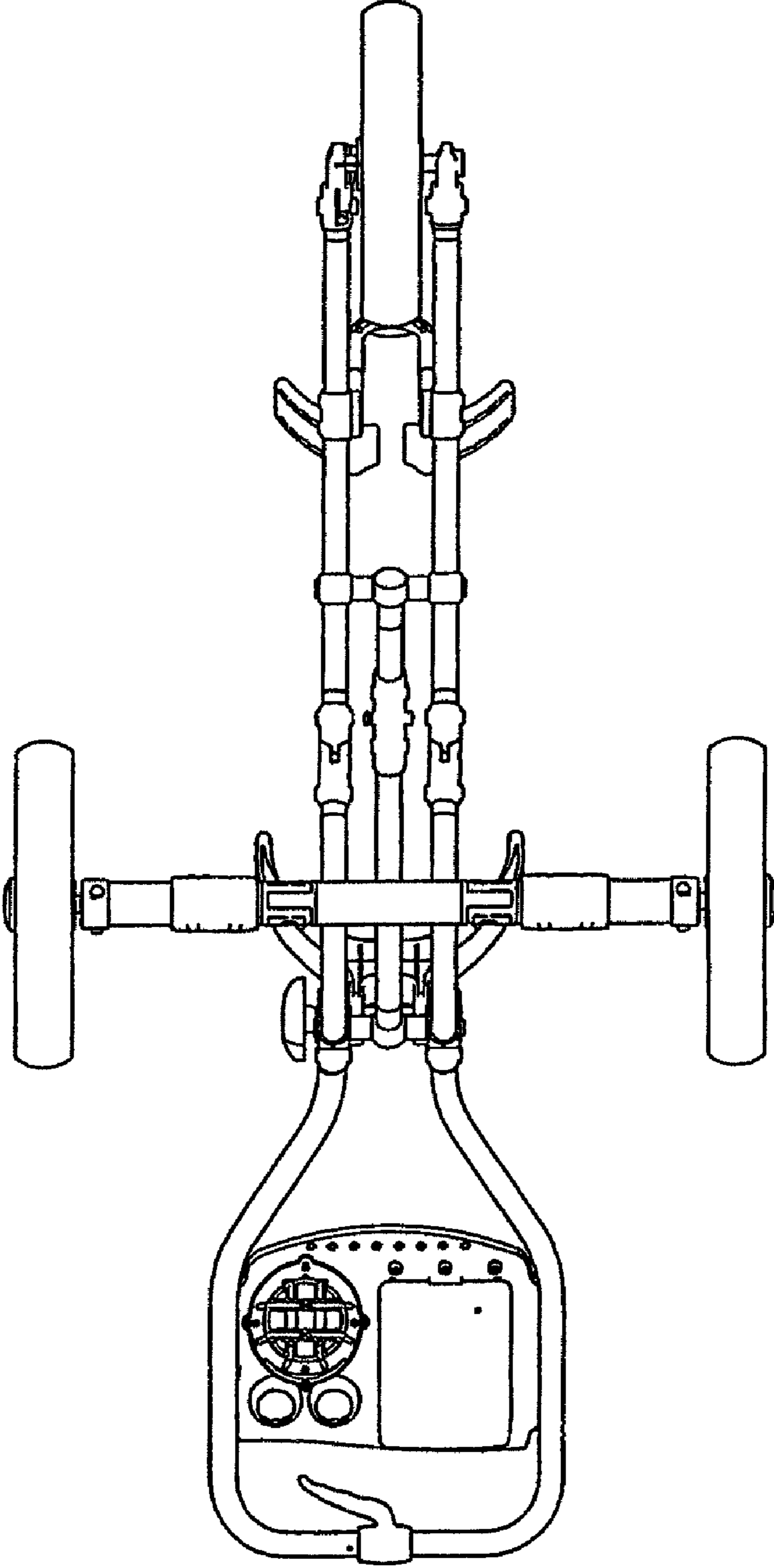


FIG. 6

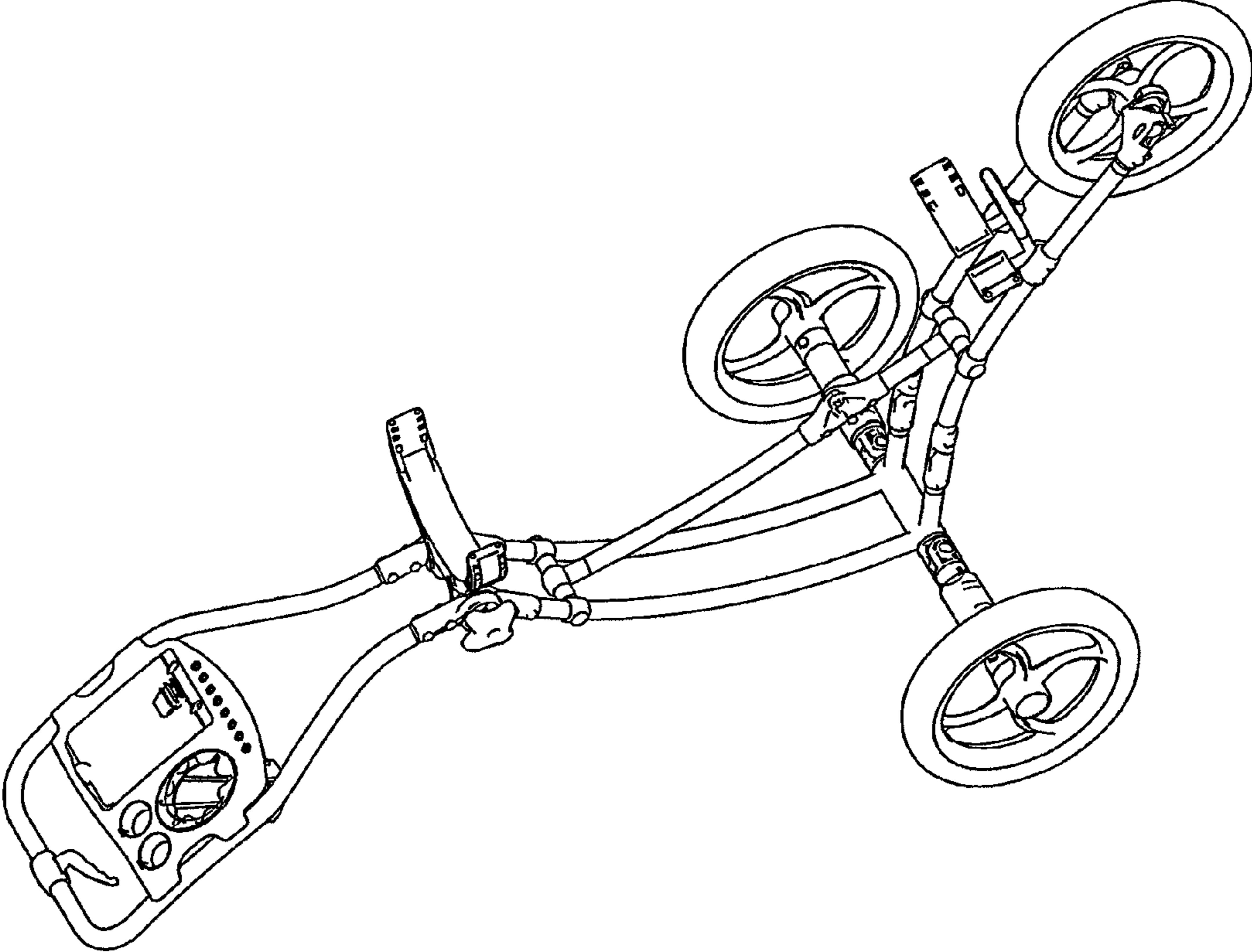


FIG 7