

US00D583518S

(12) **United States Design Patent**
Thörner

(10) **Patent No.:** **US D583,518 S**

(45) **Date of Patent:** **** Dec. 23, 2008**

(54) **MOBILE ANIMAL LIFTING DEVICE**

(75) Inventor: **Sture Thörner**, Säffle (SE)

(73) Assignee: **Bröderna Thörner AB**, Säffle (SE)

(**) Term: **14 Years**

(21) Appl. No.: **29/269,649**

(22) Filed: **Dec. 6, 2006**

(30) **Foreign Application Priority Data**

Jun. 6, 2006 (EM) 000541040

(51) **LOC (8) Cl.** **30-04**

(52) **U.S. Cl.** **D30/151; D30/199**

(58) **Field of Classification Search** D30/144,
D30/151, 152, 160, 199; 119/722-729, 792,
119/751, 516, 738; 5/83.1; 452/53-56; 601/27,
601/35; 602/19; 280/62, 63, 65, 43, 47.131,
280/657; 168/48.1

See application file for complete search history.

(56) **References Cited**

U.S. PATENT DOCUMENTS

1,318,202	A *	10/1919	Garnier	119/726
1,394,783	A *	10/1921	Olinger	119/726
2,976,840	A *	3/1961	Hugus	119/727
3,241,851	A *	3/1966	Dingbaum	280/657
3,406,661	A *	10/1968	Parkes	119/727
3,621,819	A *	11/1971	Hooper	119/727
4,318,365	A *	3/1982	Eriksson	119/728
4,375,203	A *	3/1983	Parkes	119/727
4,432,306	A *	2/1984	Rossa	119/725
4,767,099	A *	8/1988	Munks	254/336

4,796,565	A *	1/1989	Charbeneau	119/751
5,224,444	A *	7/1993	Hill et al.	119/727
5,778,827	A *	7/1998	Hansen	119/728
6,463,886	B1 *	10/2002	Rodden et al.	119/728
6,640,751	B1 *	11/2003	Cool	119/727
6,694,921	B2 *	2/2004	Emerick	119/725
6,820,572	B1 *	11/2004	Parkes	119/727
2005/0005875	A1 *	1/2005	Suggs	119/728

* cited by examiner

Primary Examiner—Melanie H Tung

Assistant Examiner—Susan Moon Lee

(74) *Attorney, Agent, or Firm*—Nixon & Vanderhye P.C.

(57) **CLAIM**

The ornamental design for a “mobile animal lifting device,” as shown and described.

DESCRIPTION

FIG. 1 is a rear top perspective view of the mobile animal lifting device shown with the lifting harness in a raised position;

FIG. 2 is a rear side perspective view thereof;

FIG. 3 is another rear side perspective view thereof;

FIG. 4 is another front side perspective view thereof;

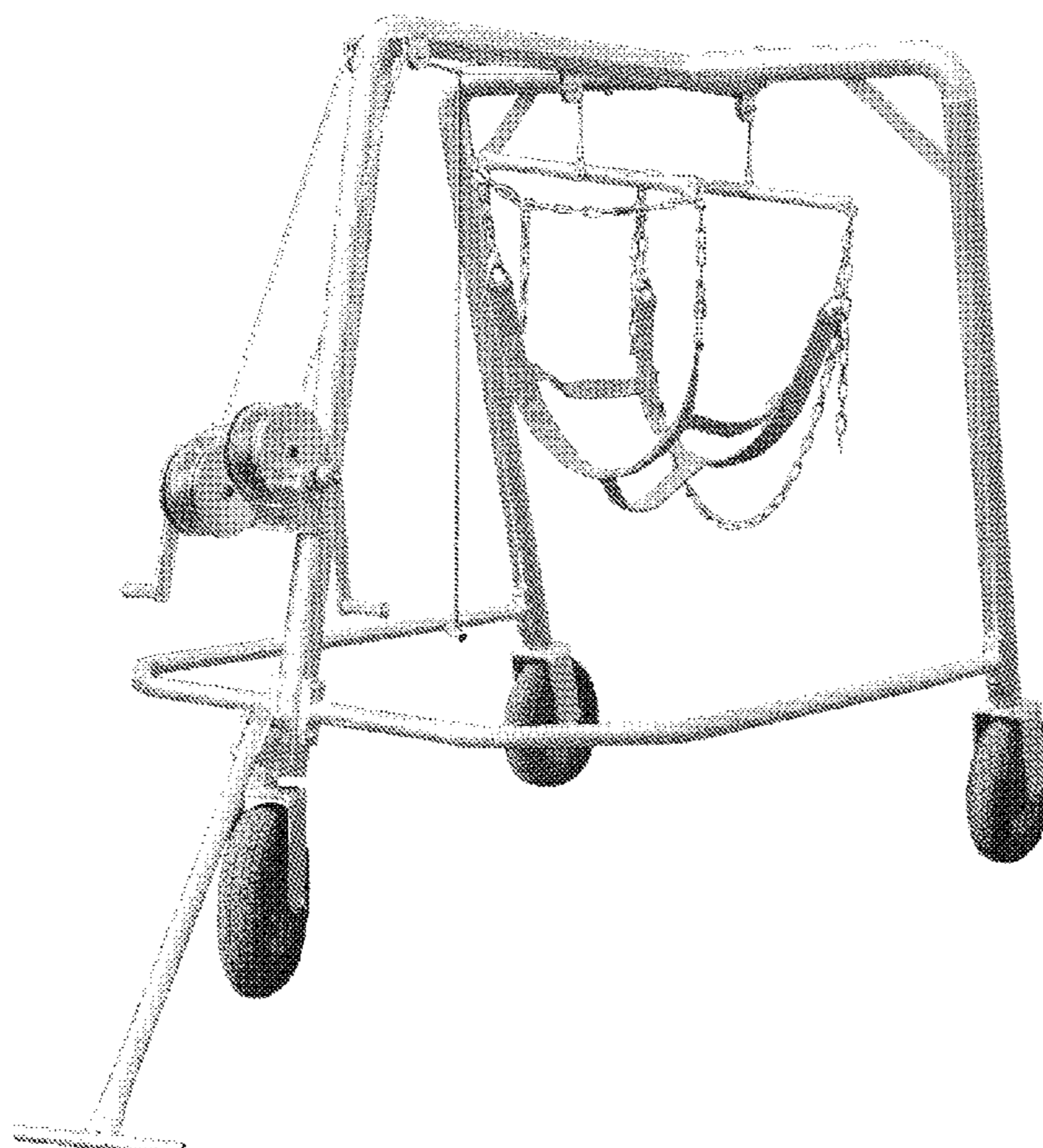
FIG. 5 is a front perspective view thereof;

FIG. 6 is a top, rear perspective view of the mobile animal lifting device shown with the lifting harness portion removed for clarity of illustration;

FIG. 7 is a top, front side perspective view thereof; and,

FIG. 8 is a top front perspective view thereof.

1 Claim, 8 Drawing Sheets



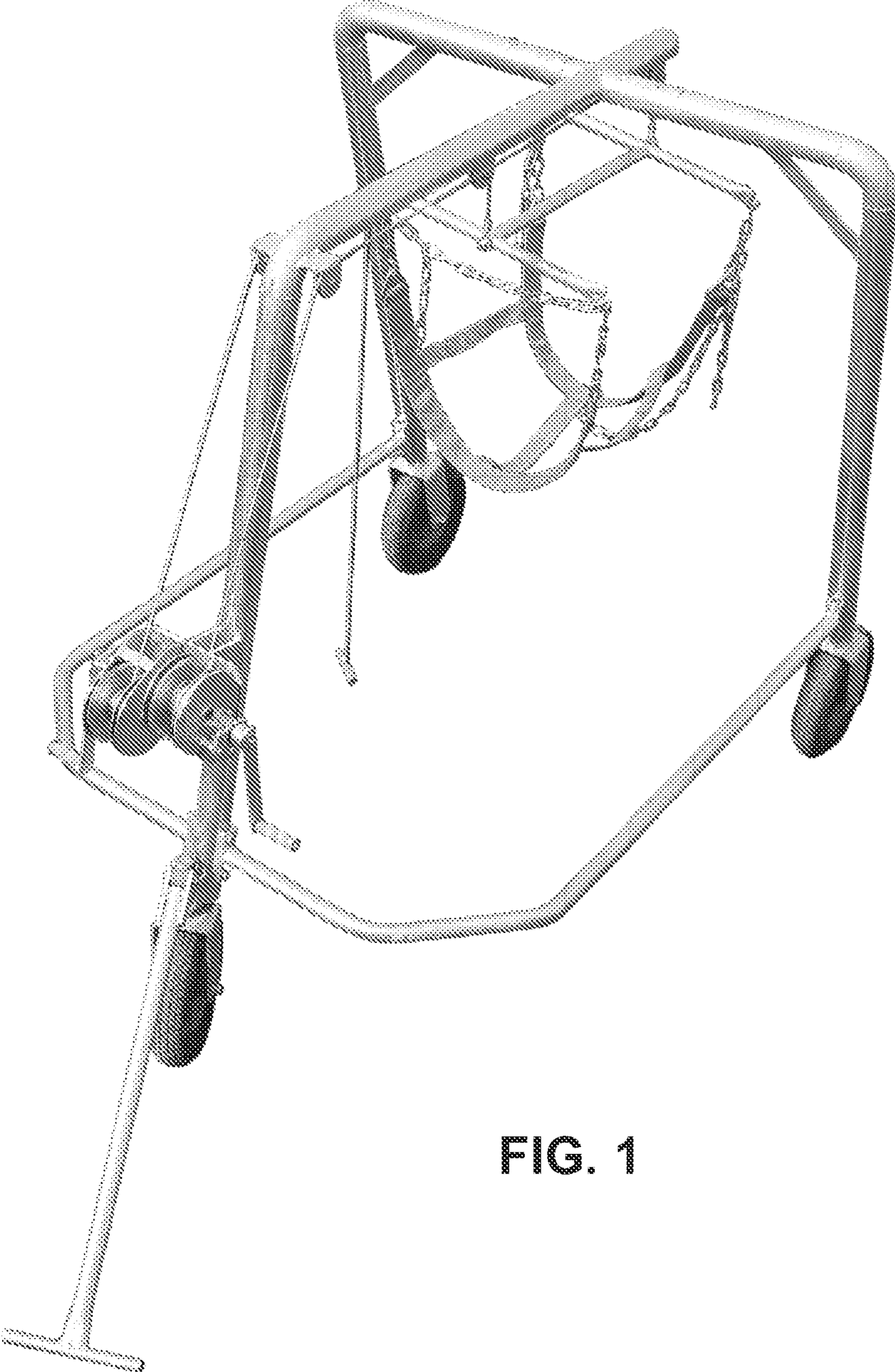


FIG. 1

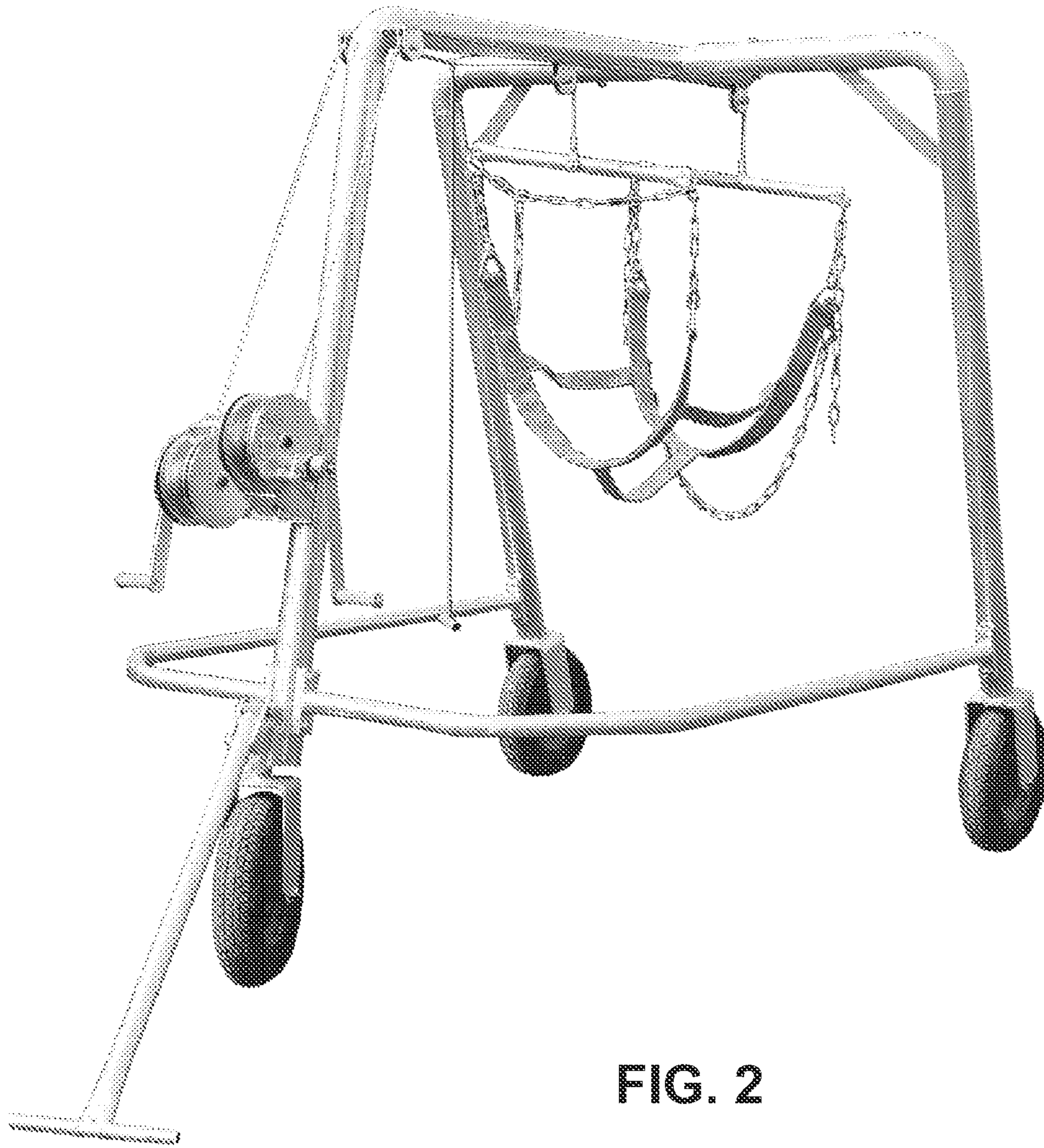


FIG. 2

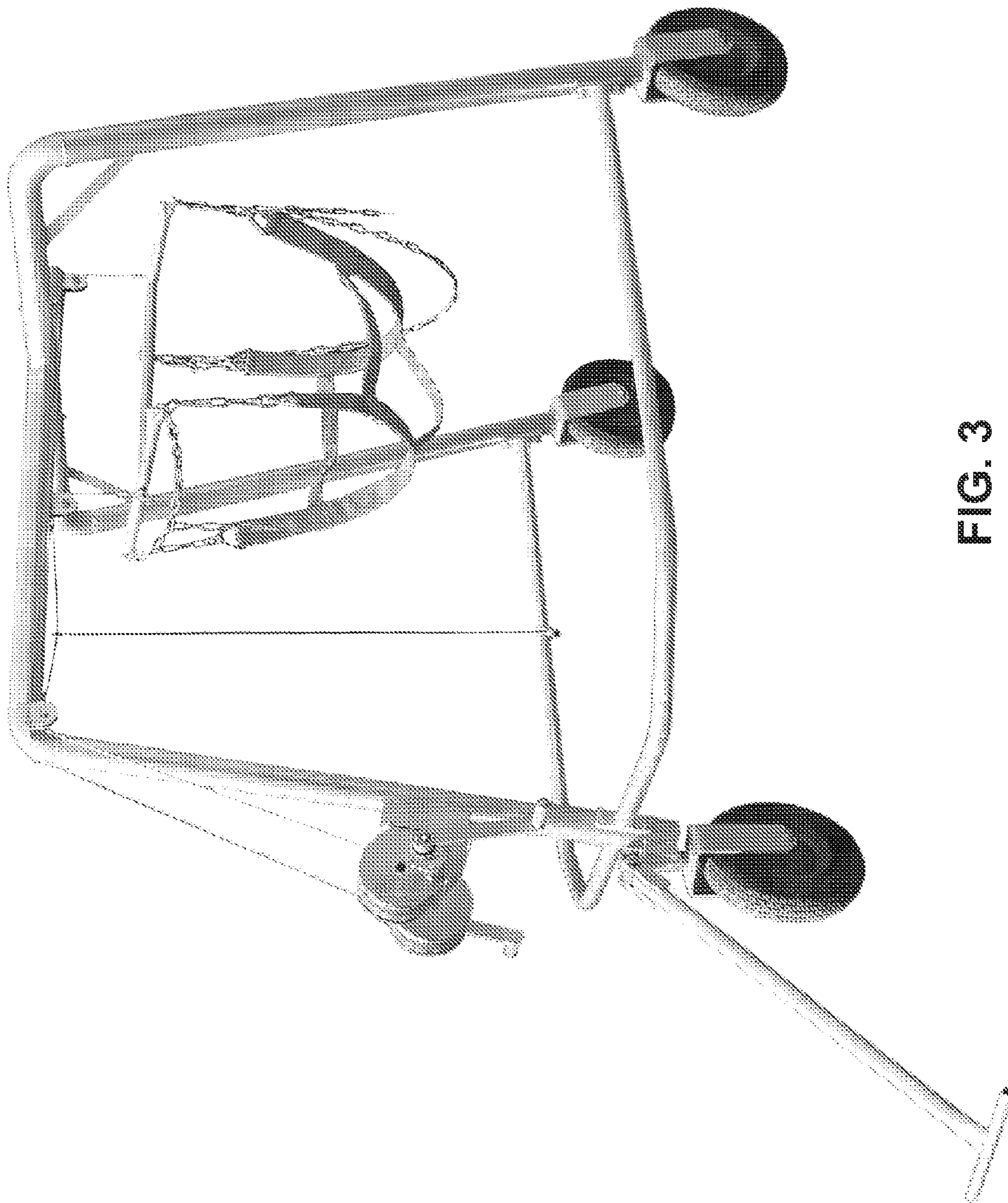


FIG. 3

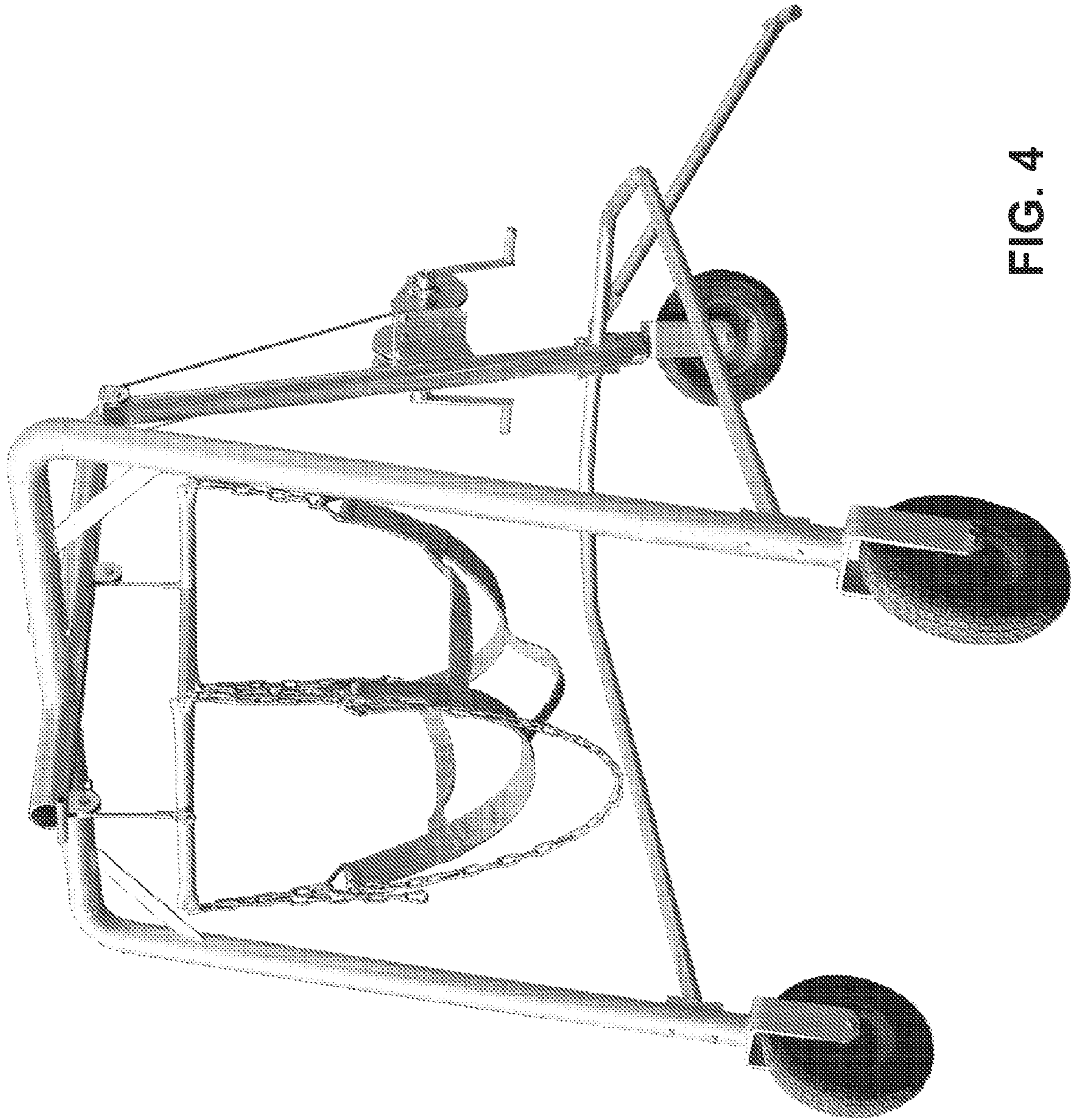


FIG. 4

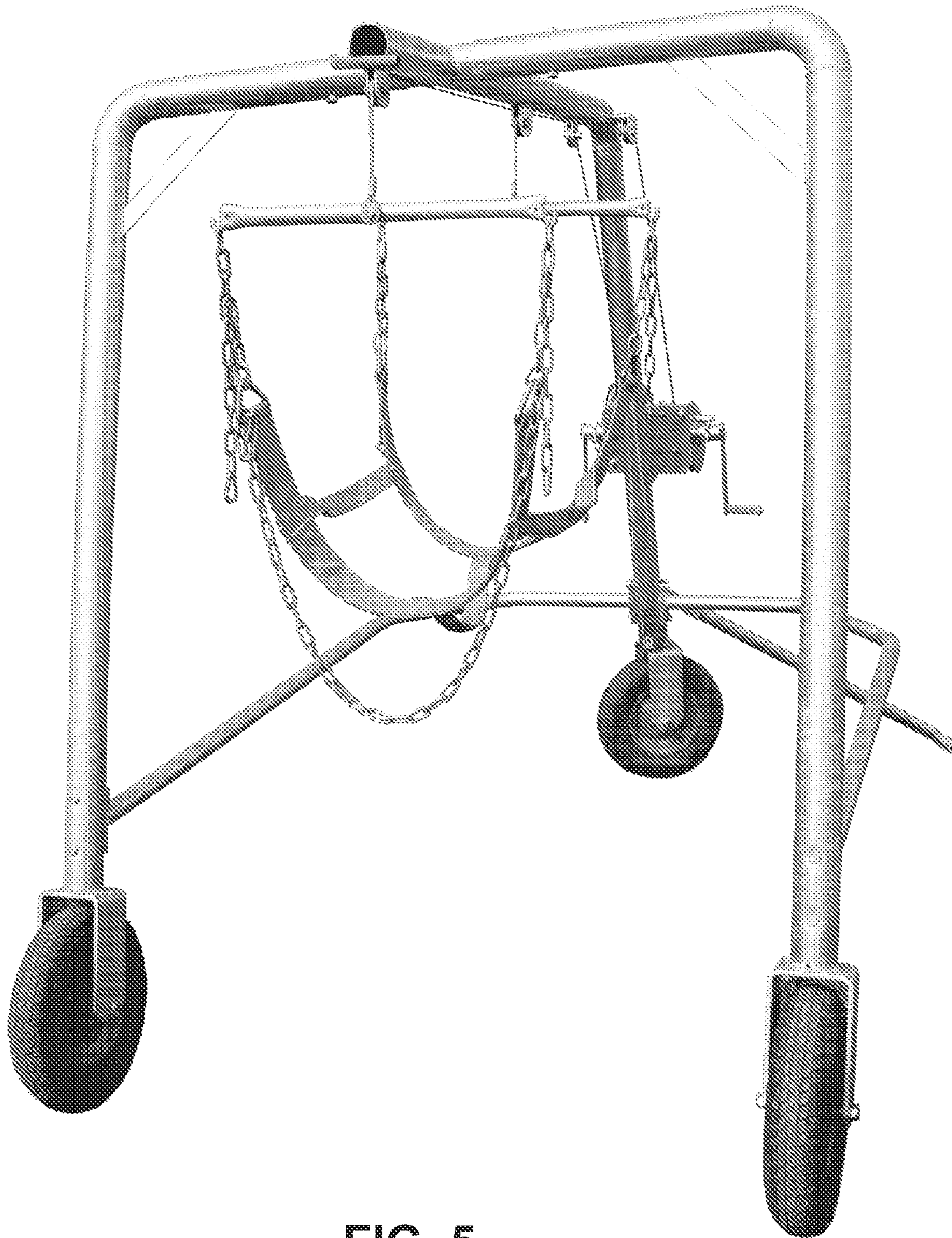


FIG. 5

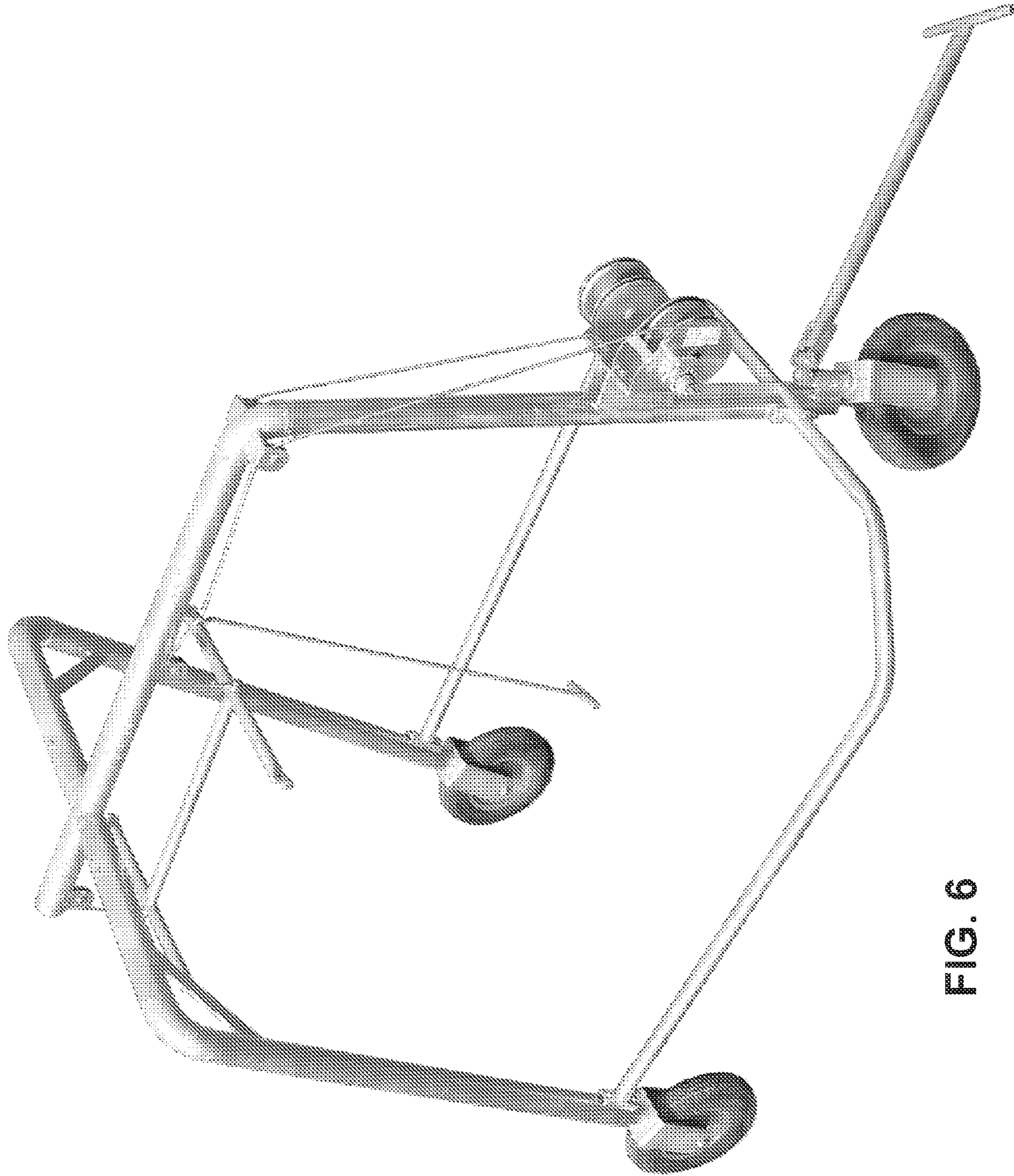


FIG. 6

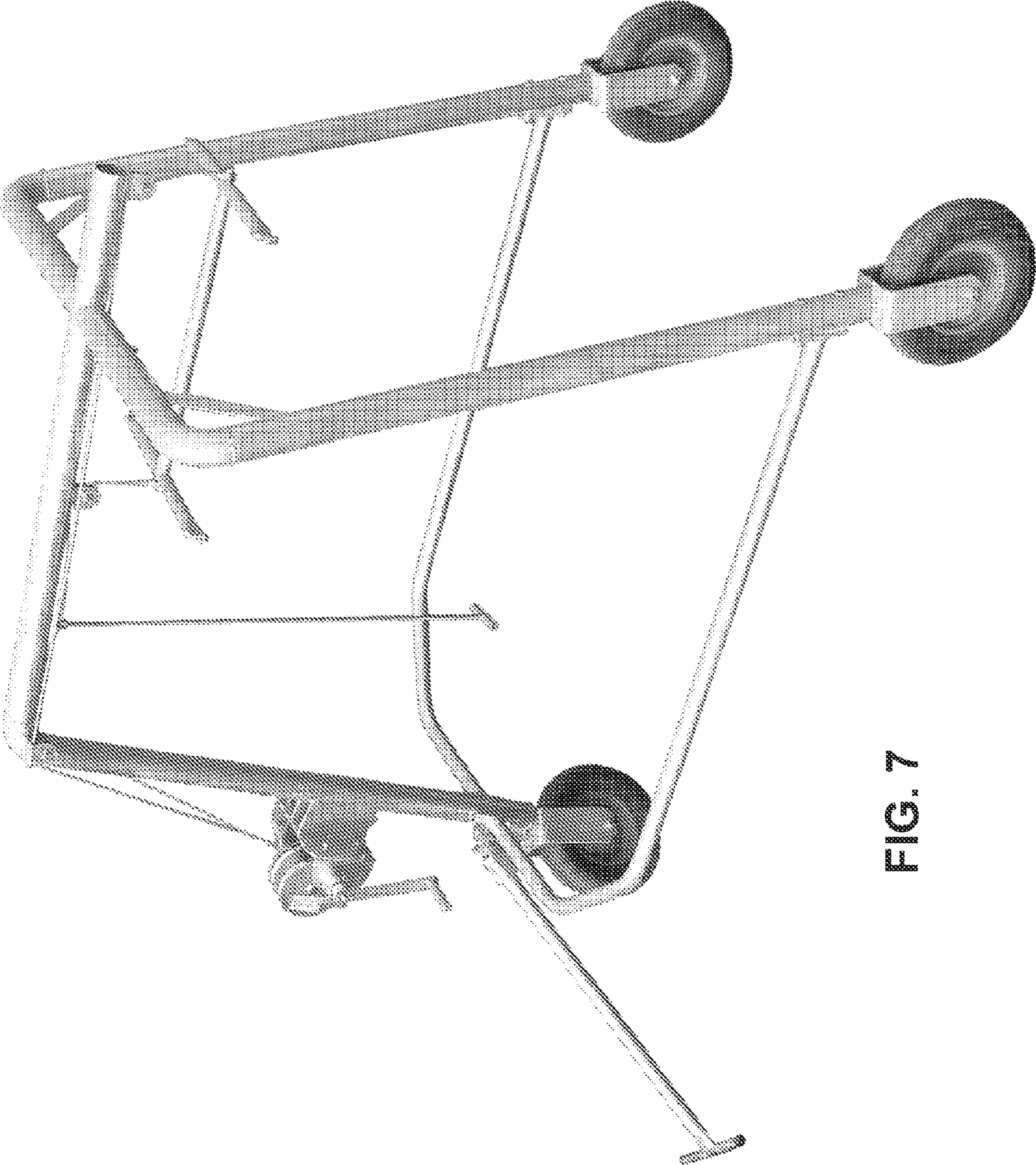


FIG. 7

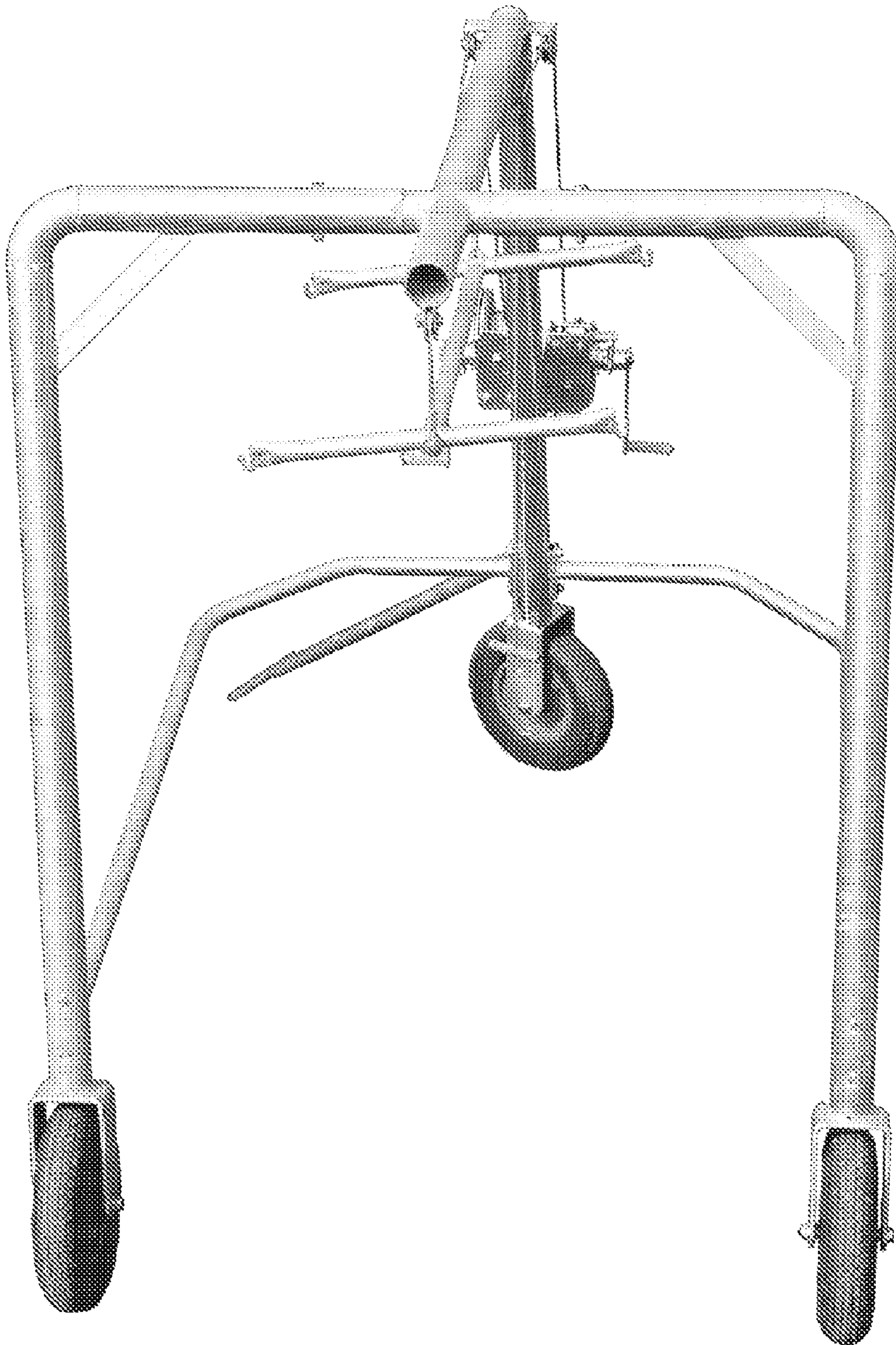


FIG. 8