



US00D583513S

(12) **United States Design Patent**
Litke

(10) **Patent No.:** **US D583,513 S**

(45) **Date of Patent:** **** Dec. 23, 2008**

(54) **GOLF GLOVE**

(75) Inventor: **Kenneth S. Litke**, Marion, MA (US)

(73) Assignee: **Acushnet Company**, Fairhaven, MA (US)

(**) Term: **14 Years**

(21) Appl. No.: **29/320,401**

(22) Filed: **Jun. 26, 2008**

(51) **LOC (8) Cl.** **02-06**

(52) **U.S. Cl.** **D29/116.2**

(58) **Field of Classification Search** D2/610,
D2/612, 614-623; D29/113, 116.2, 117.1-119,
D29/120.1, 123; 2/16, 159, 161.1-161.8,
2/162, 198, 170, 455, 908, 917; D24/190;
D28/63; D32/40, 42, 43, 41; D21/807; D3/215,
D3/224, 226, 218; 224/219, 222, 267, 237;
40/586, 633; 15/104.94, 107, 227; D4/134;
D20/33

See application file for complete search history.

(56) **References Cited**

U.S. PATENT DOCUMENTS

5,028,050 A * 7/1991 Freyer 473/205

6,415,445 B1 * 7/2002 Nishijima et al. 2/161.4
D471,674 S * 3/2003 Redwood et al. D29/116.2
D490,966 S * 6/2004 Sasaki D2/623
D550,903 S * 9/2007 Nakamura D29/116.2
D554,807 S * 11/2007 Okumura D29/116.2
2008/0109934 A1 * 5/2008 Widdemer et al. 2/159

* cited by examiner

Primary Examiner—Raphael Barkai

Assistant Examiner—Randall H Gholson

(74) *Attorney, Agent, or Firm*—Mandi B. Milbank

(57) **CLAIM**

The ornamental design for a golf glove, as shown and described.

DESCRIPTION

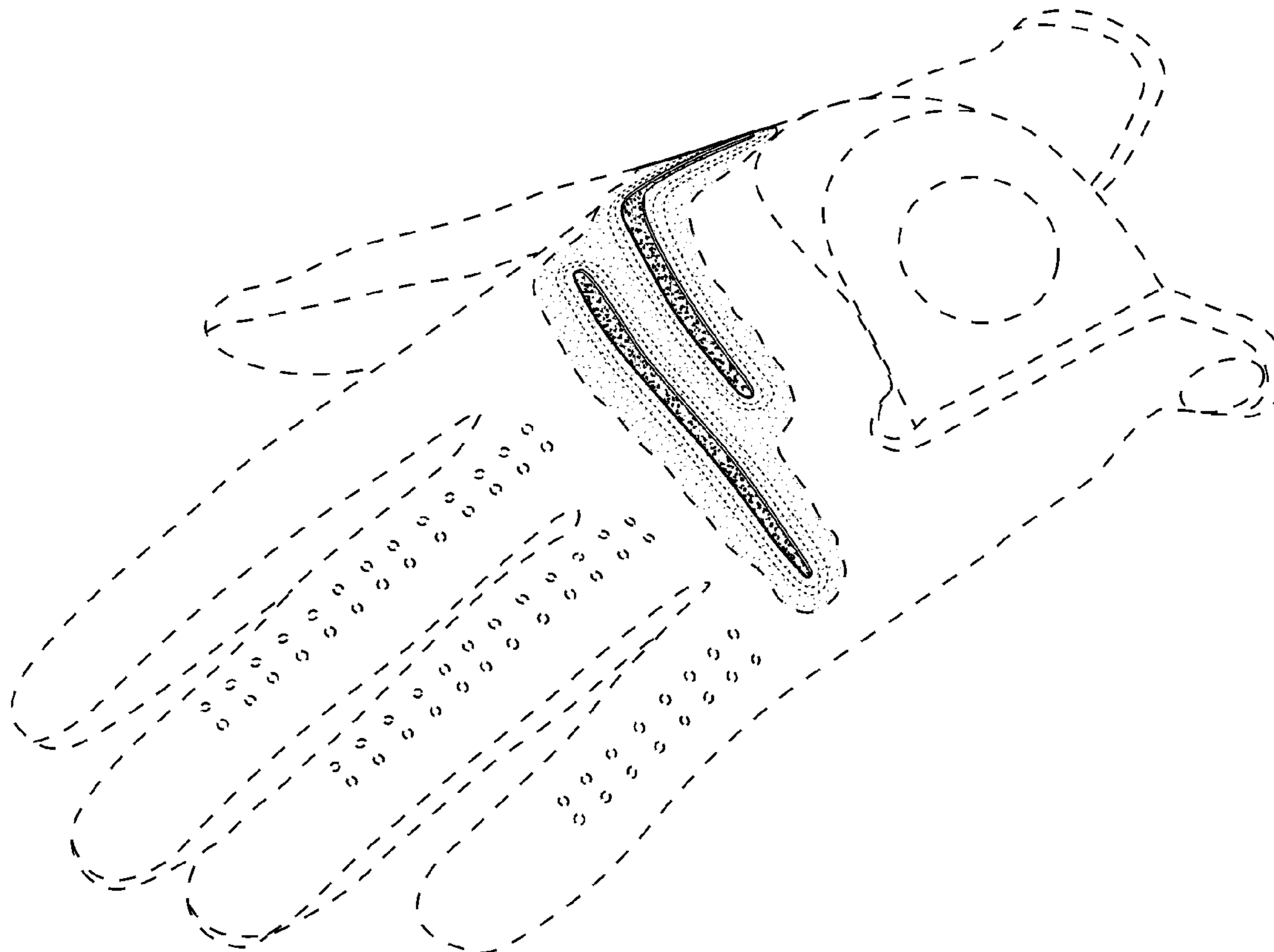
FIG. 1 is a perspective view of the back portion of the glove.

FIG. 2 is a perspective view of the thumb side of the glove; and,

FIG. 3 is a plan view of the back portion of the glove.

The broken lines of FIGS. 1-3 showing the glove body and finger casings are for illustrative purposes only and form no part of the claimed design.

1 Claim, 2 Drawing Sheets



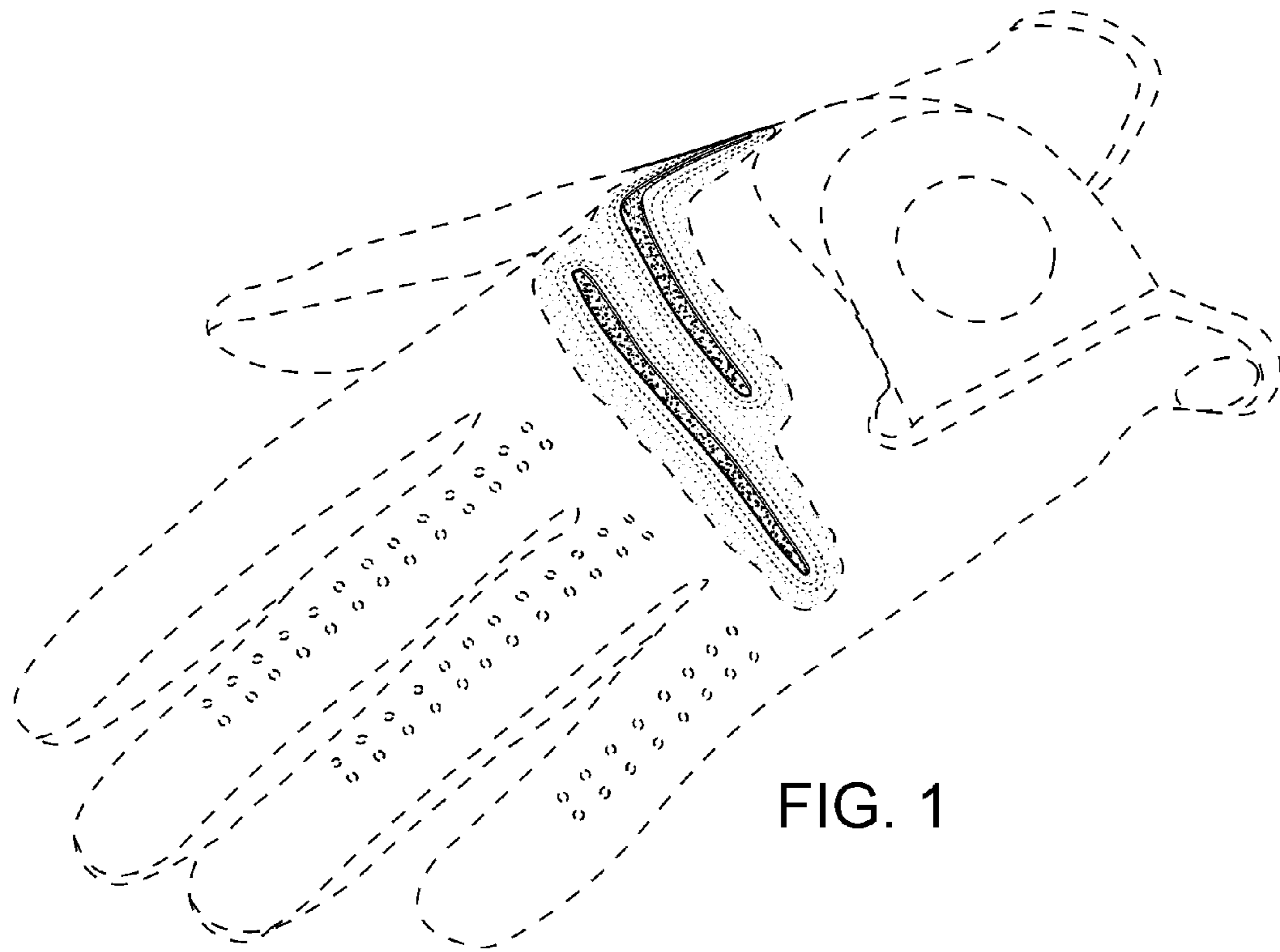


FIG. 1

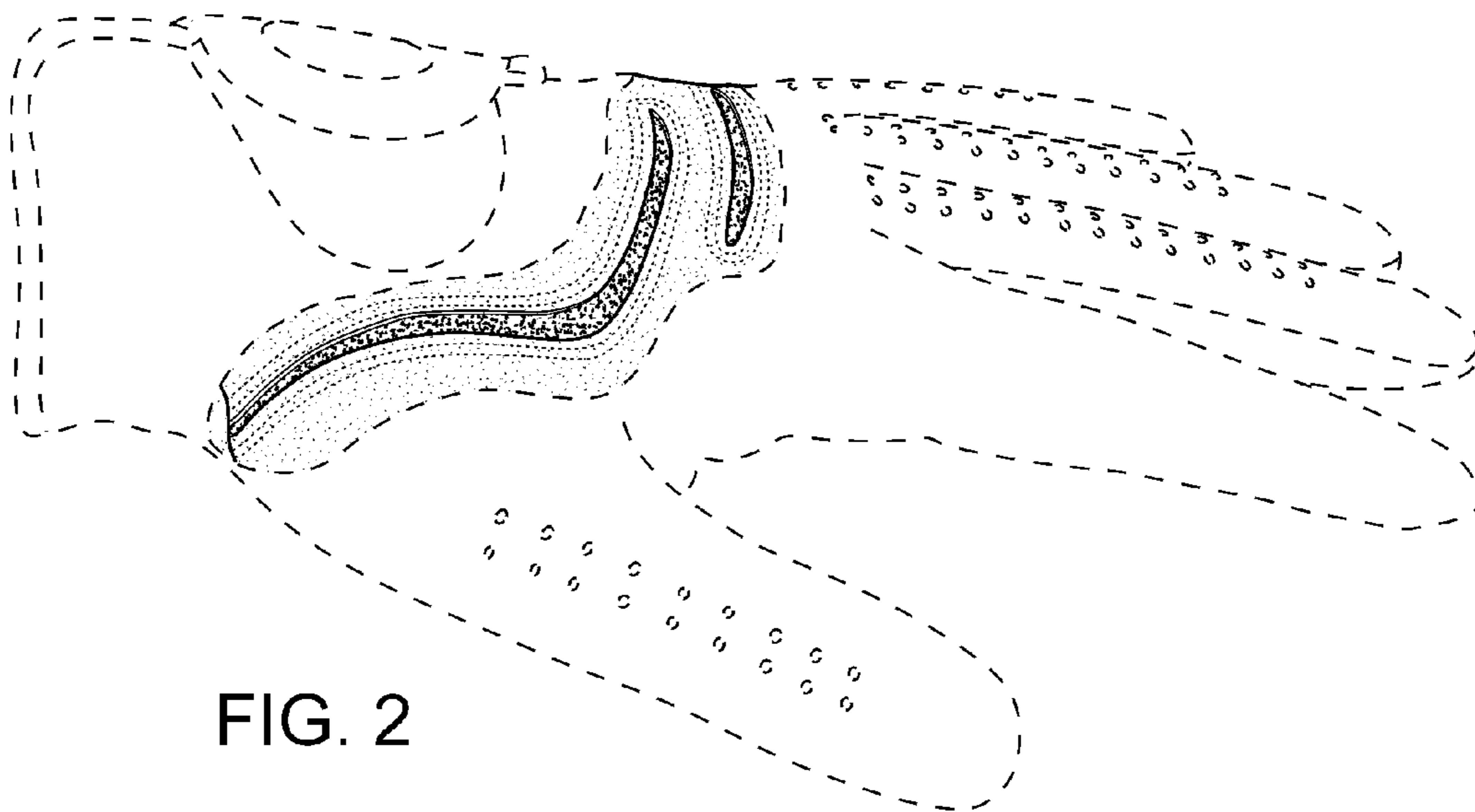


FIG. 2

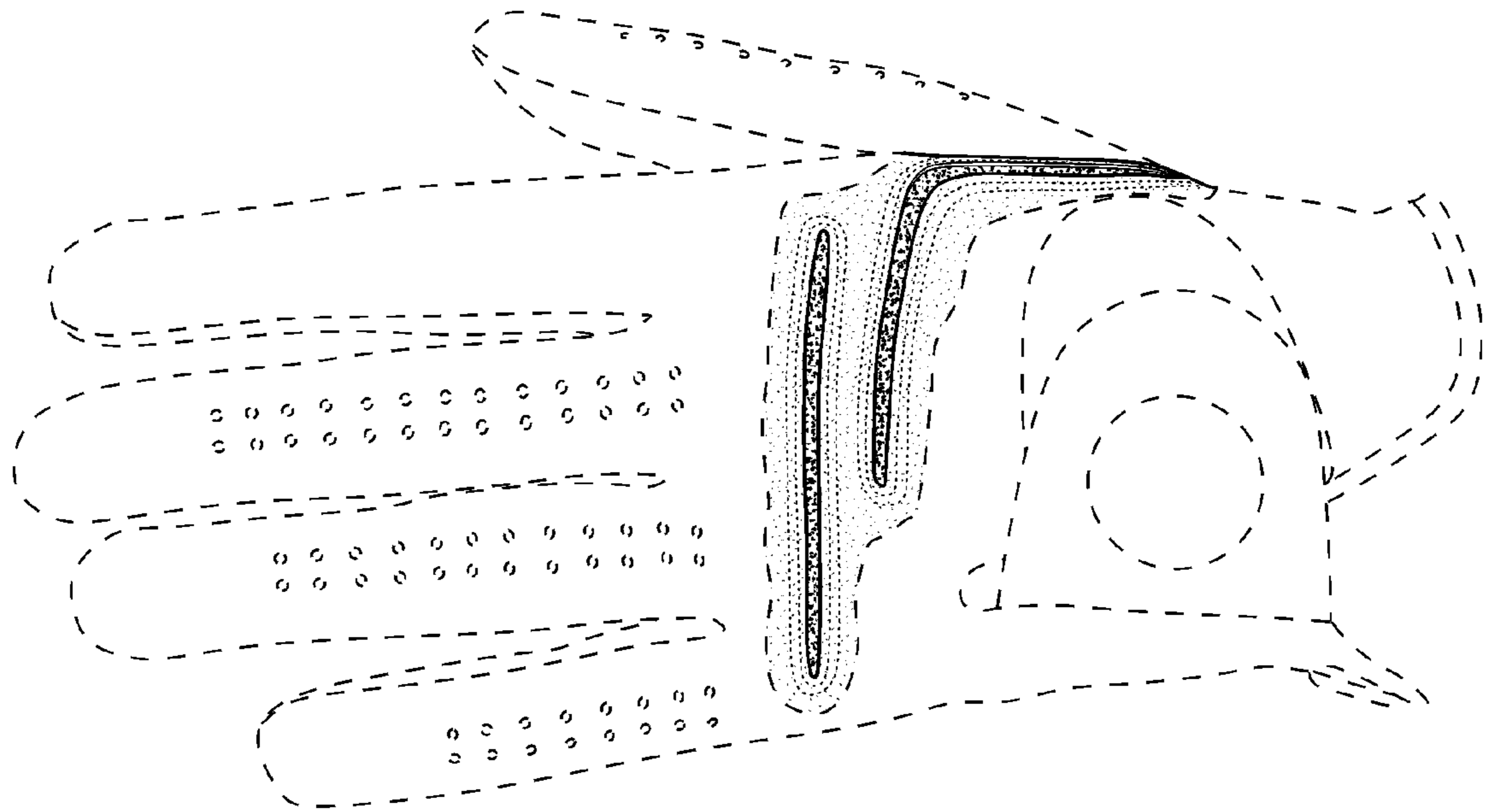


FIG. 3